



US00D498128S

(12) **United States Design Patent**
Sterling

(10) **Patent No.:** **US D498,128 S**

(45) **Date of Patent:** **** Nov. 9, 2004**

- (54) **PORTION OF A POWER TOOL**
- (75) **Inventor:** **Robert E. Sterling**, Colbert, WA (US)
- (73) **Assignee:** **Exhaust Technologies, Inc.**, Spokane, WA (US)
- (**) **Term:** **14 Years**
- (21) **Appl. No.:** **29/196,634**
- (22) **Filed:** **Jan. 2, 2004**
- (51) **LOC (7) Cl.** **08-05**
- (52) **U.S. Cl.** **D8/68**
- (58) **Field of Search** D8/14.1, 61, 62, D8/63, 64, 65, 66, 67, 68, 69, 70; 81/57.11, 429, 464, 465, 466, 469, 489; 173/13, 169, 178, 213, 217; 227/8, 114, 120, 130, 136, 142; 310/50; 408/20, 124, 125, 234, 241 R; 451/358

- D393,194 S * 4/1998 Hogue et al. D8/70
- D432,881 S * 10/2000 Chen D8/68
- D432,891 S * 10/2000 Sterling D8/107
- D484,764 S * 1/2004 Ho D8/68

* cited by examiner

Primary Examiner—James Gandy
Assistant Examiner—T. Chase Nelson
 (74) *Attorney, Agent, or Firm*—Christensen O'Connor Johnson Kindness PLLC

(57) **CLAIM**

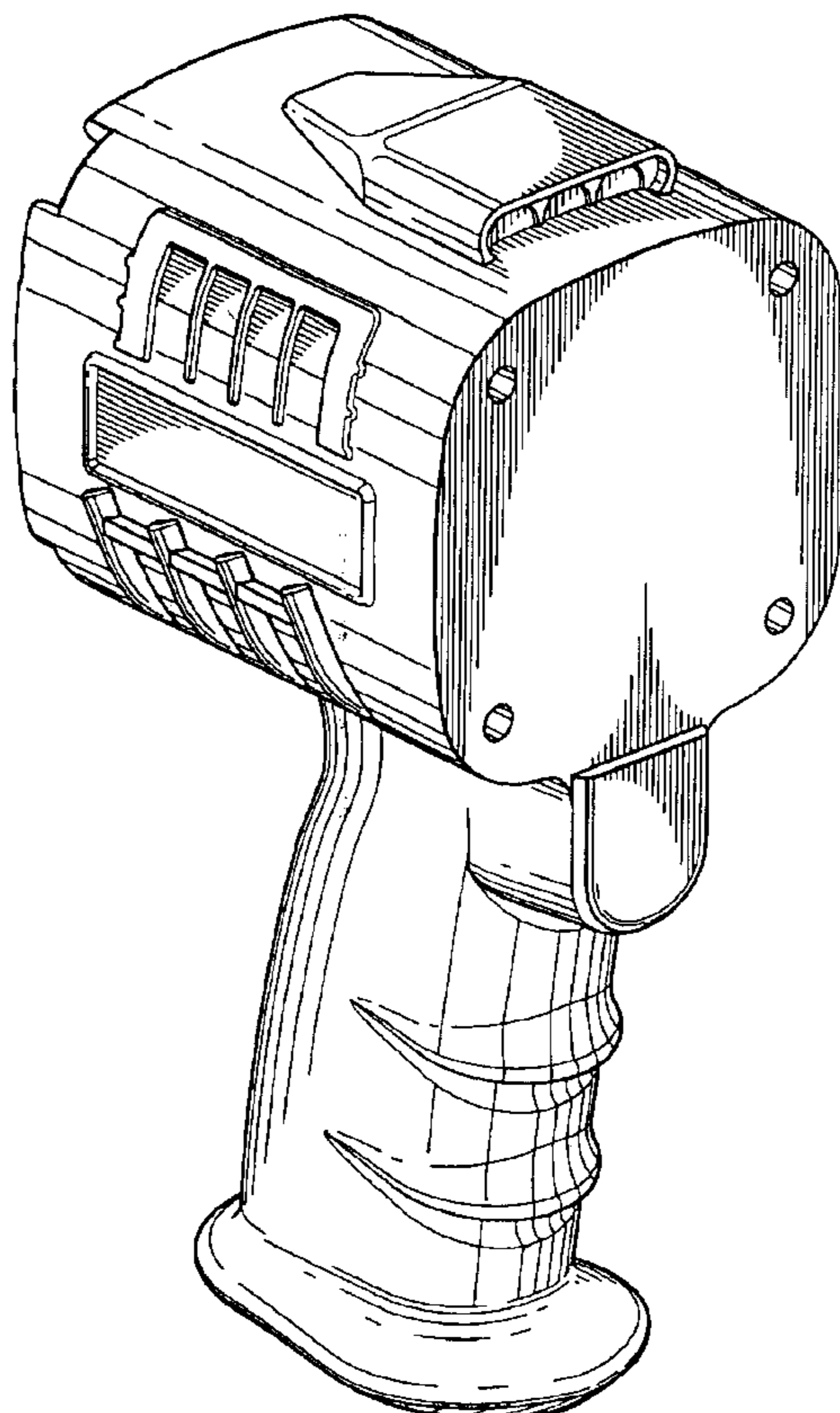
The ornamental design for a portion of a power tool, as shown and described.

DESCRIPTION

FIG. 1 is a perspective view of the top, front, and right side of a handle for a power tool showing my new design;
 FIG. 2 is a perspective view of the top, rear, and right side thereof;
 FIG. 3 is a front view thereof;
 FIG. 4 is a rear view thereof;
 FIG. 5 is a top view thereof;
 FIG. 6 is a bottom view thereof; and,
 FIG. 7 is a right side view thereof.

- (56) **References Cited**
- U.S. PATENT DOCUMENTS**
- D195,227 S * 5/1963 Franklin et al. D8/68
- D348,382 S * 7/1994 Kaiser D8/69
- D378,185 S * 2/1997 Liu D8/68
- D383,658 S * 9/1997 Kaiser D8/69

1 Claim, 5 Drawing Sheets



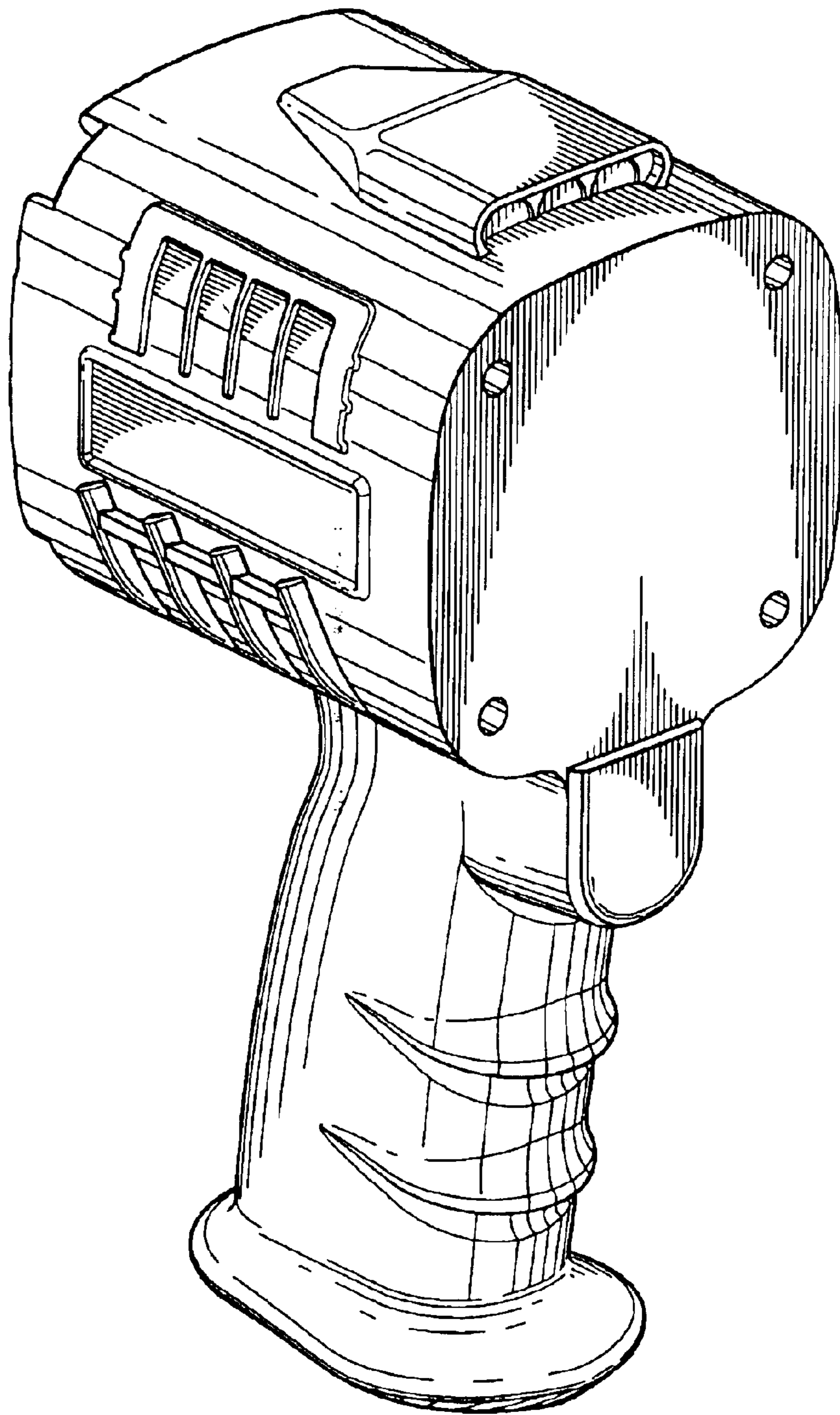


Fig. 1.

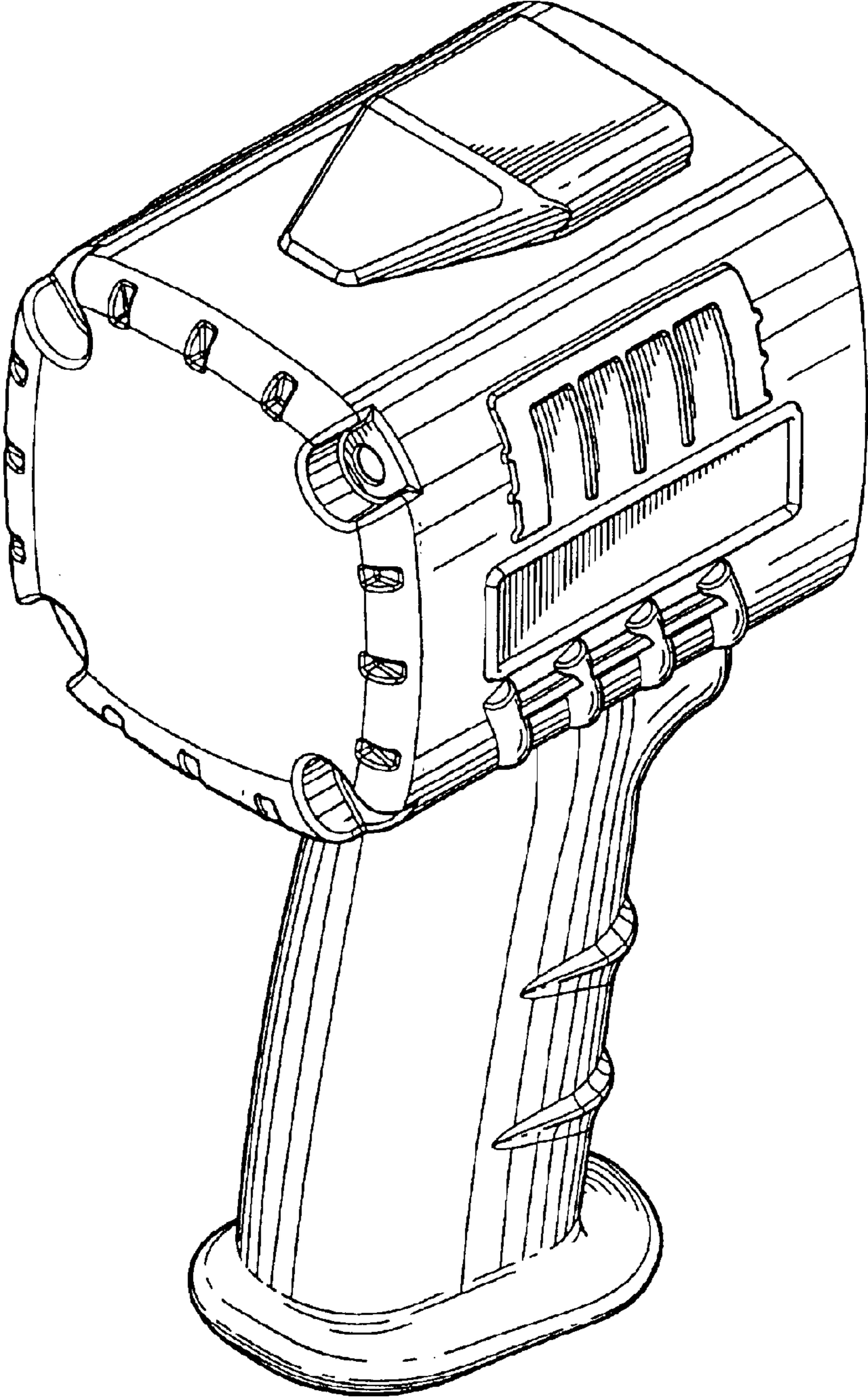


Fig. 2.

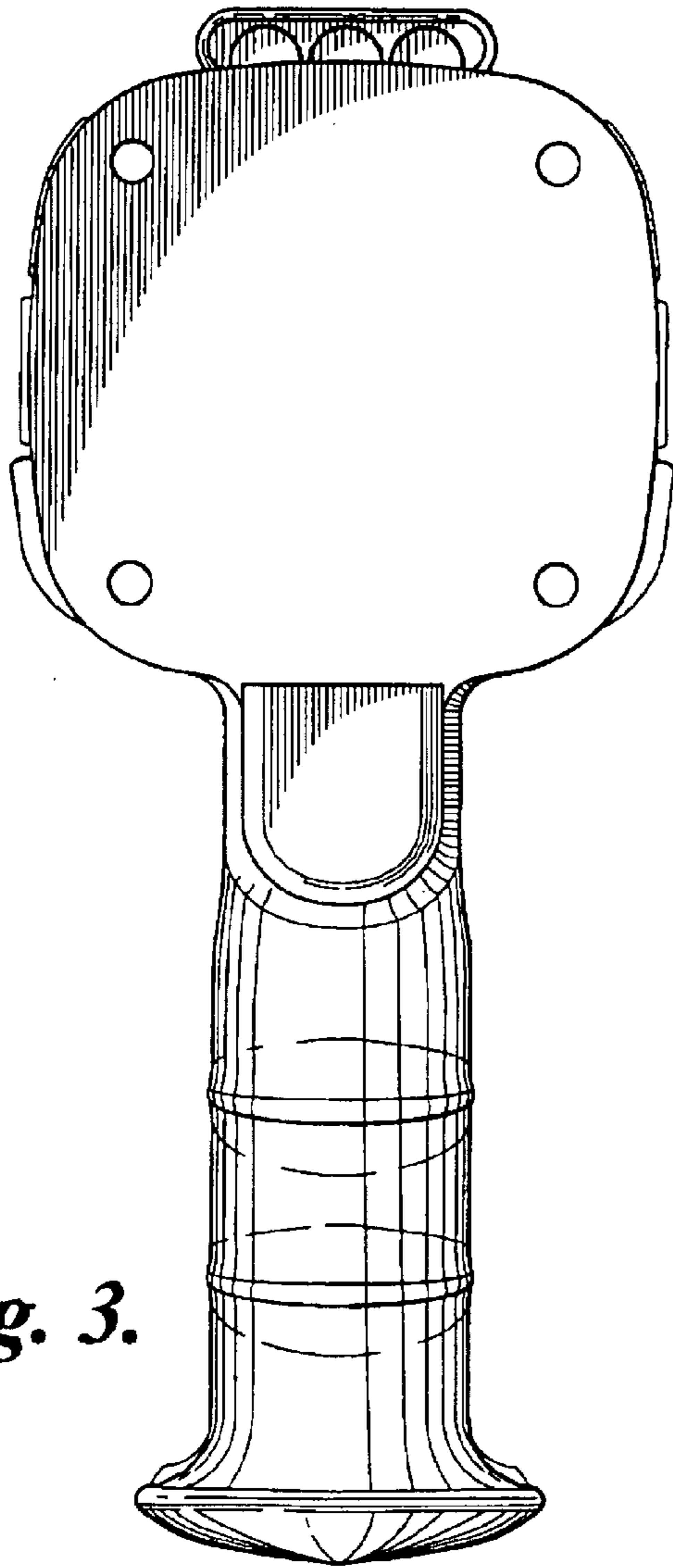


Fig. 3.

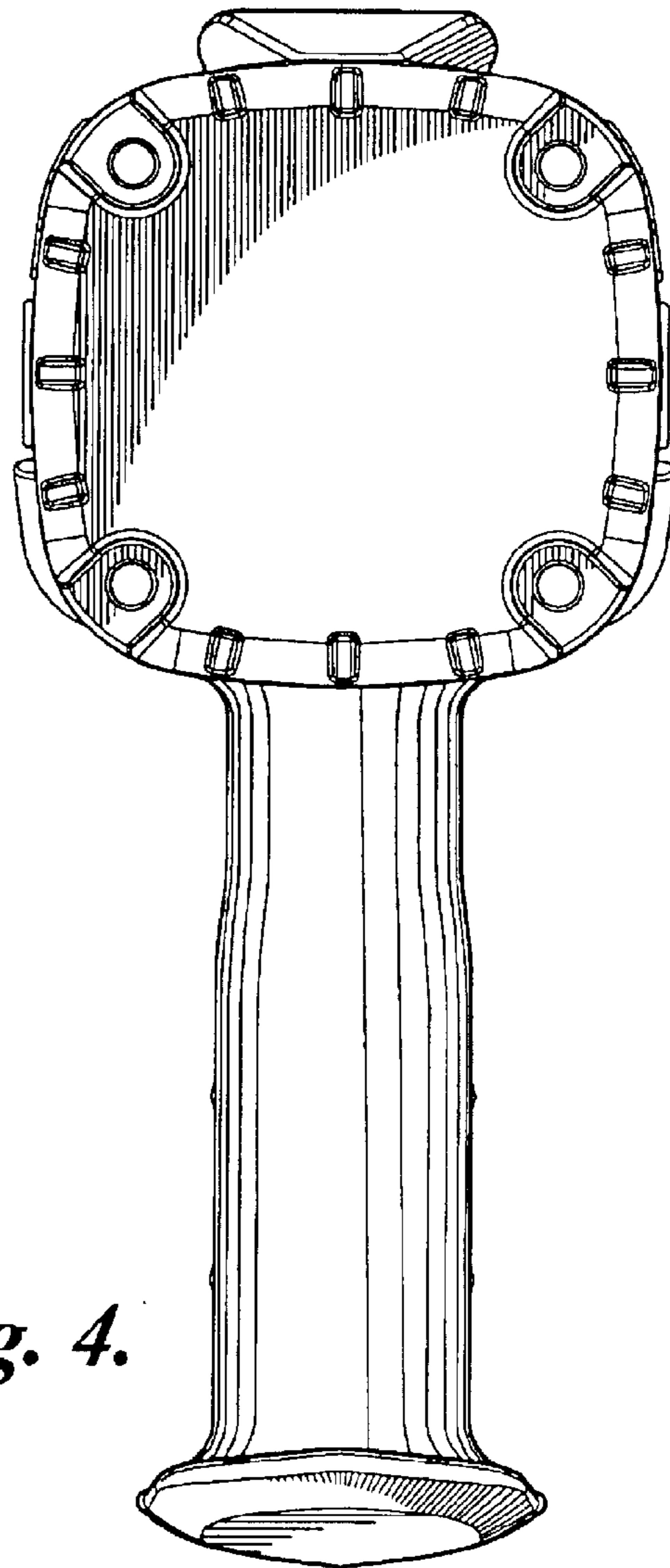


Fig. 4.

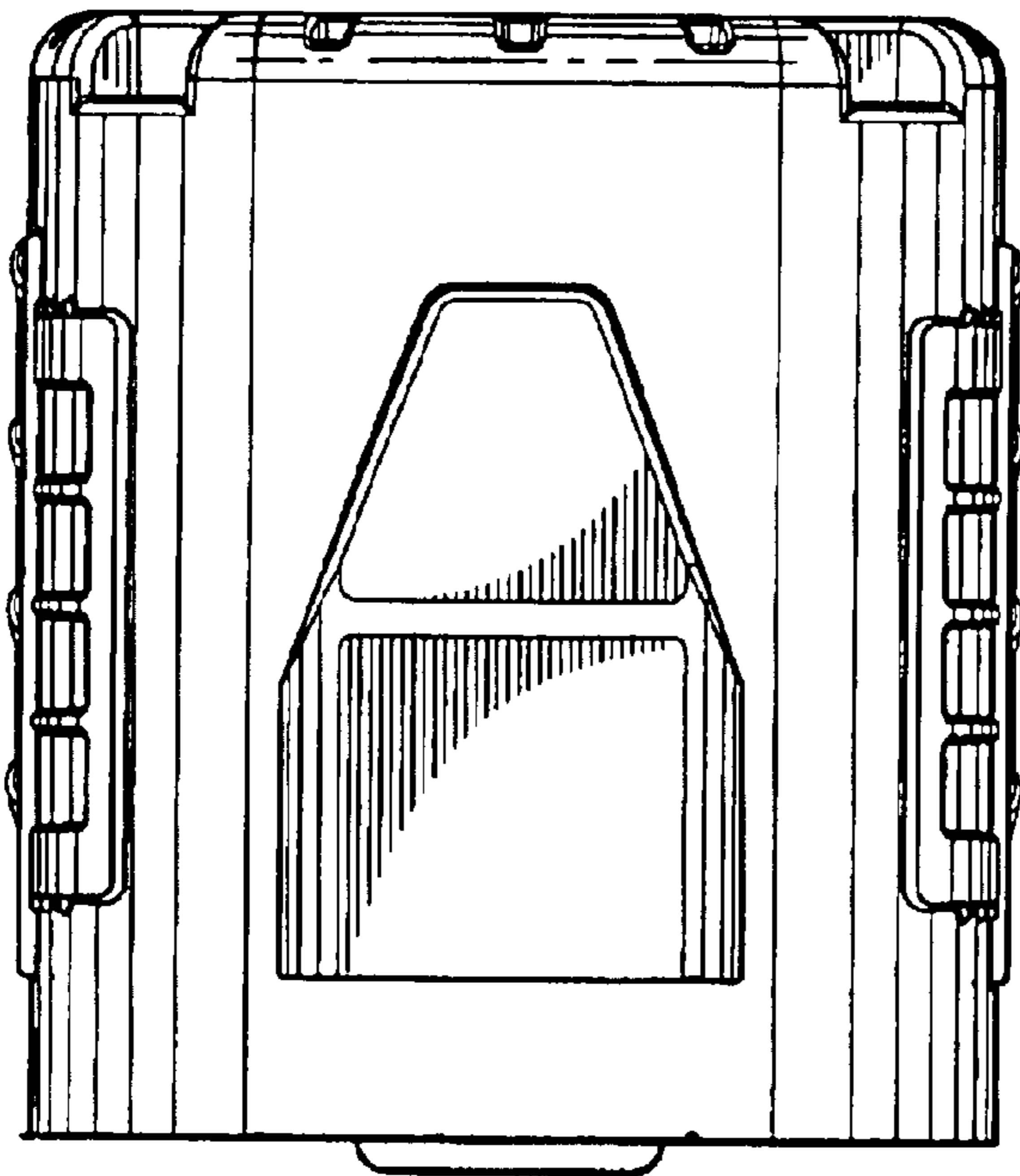


Fig. 5.

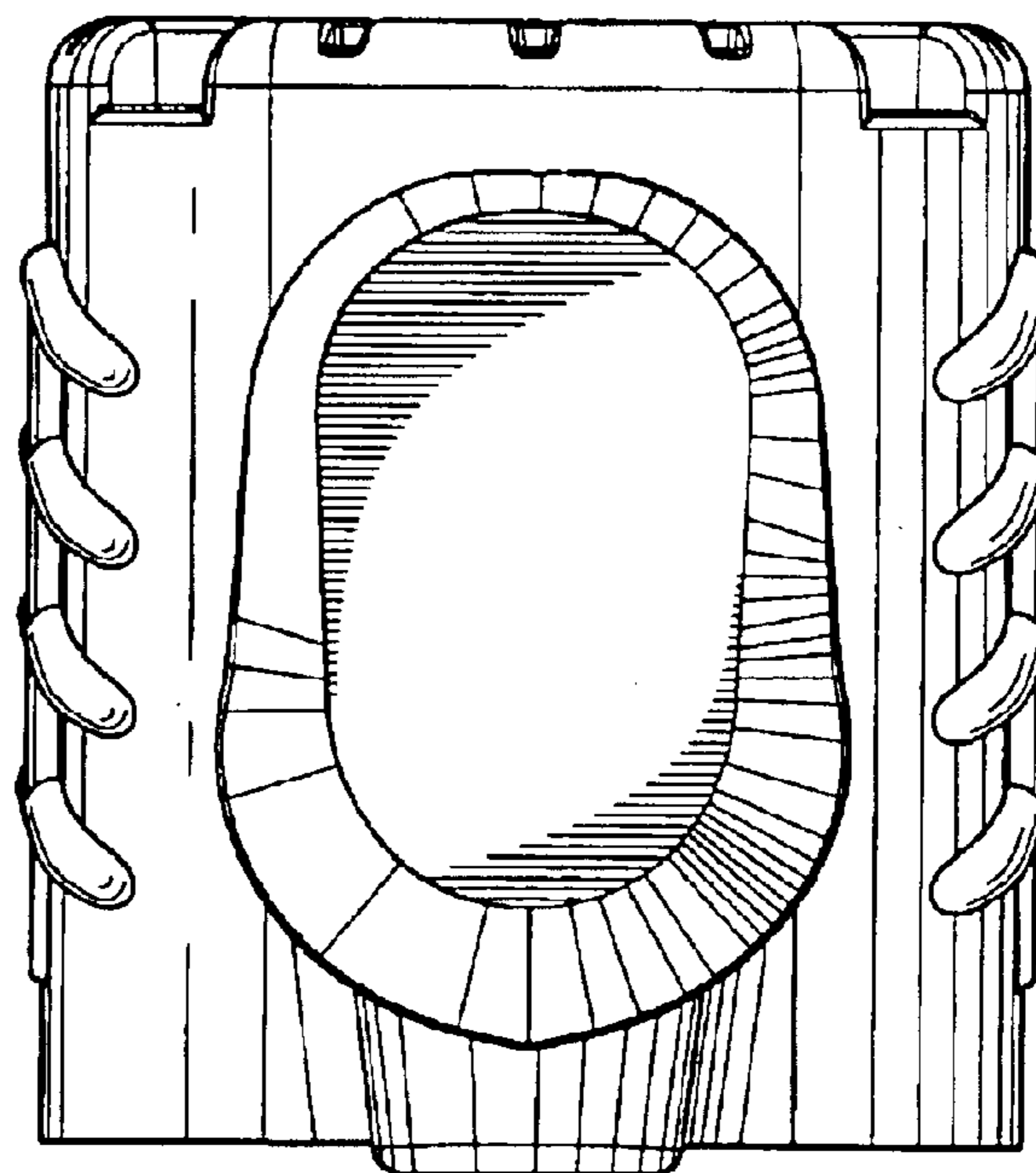


Fig. 6.

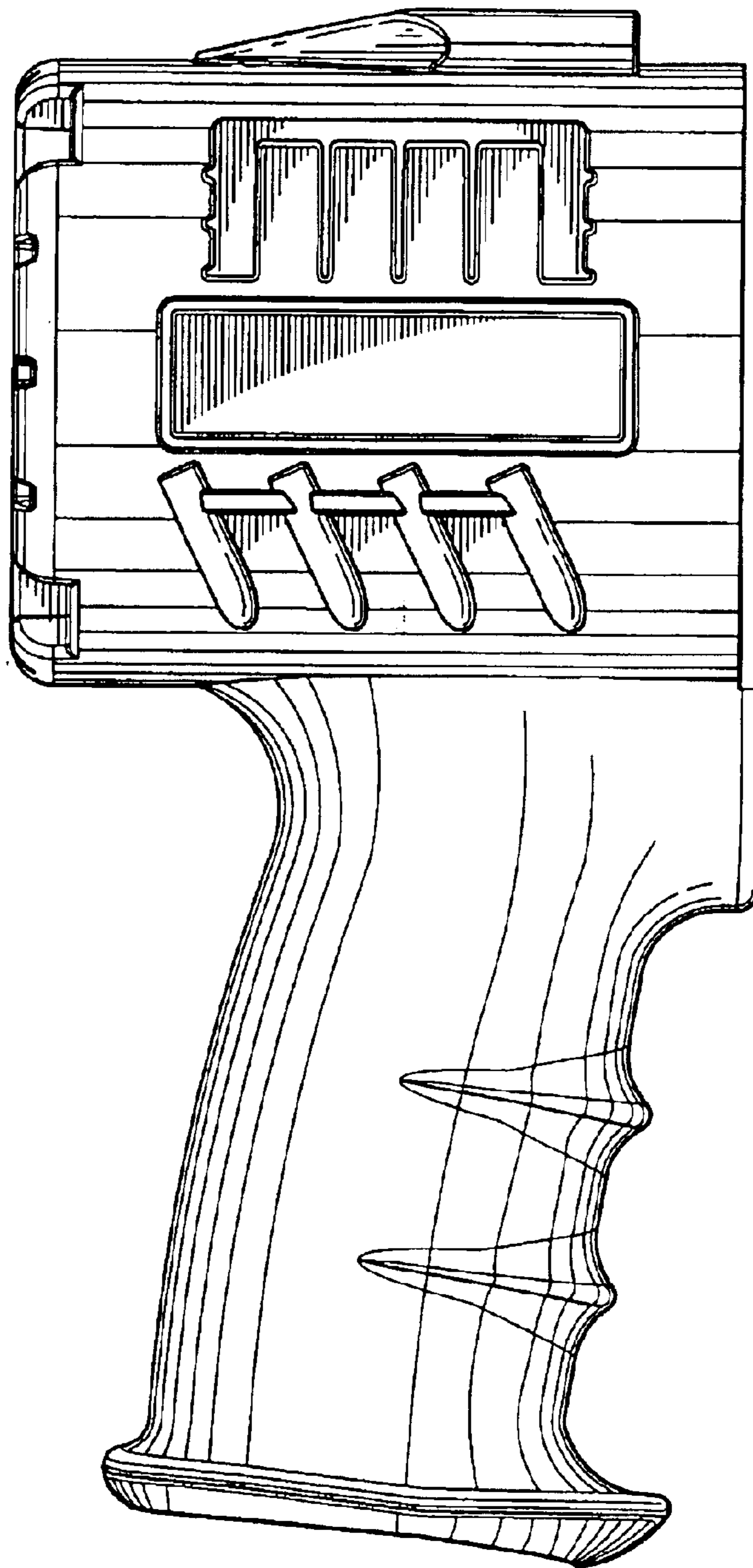


Fig. 7.