

US00D498122S

(12) **United States Design Patent**  
**Mayer**

(10) **Patent No.:** **US D498,122 S**

(45) **Date of Patent:** **\*\* Nov. 9, 2004**

(54) **CUTTING BOARD FOR FOODS**

(75) **Inventor:** **Duane Mayer, Ballwin, MO (US)**

(73) **Assignee:** **Quick Point, Inc., Fenton, MO (US)**

(\*\*) **Term:** **14 Years**

(21) **Appl. No.:** **29/187,991**

(22) **Filed:** **Aug. 11, 2003**

(51) **LOC (7) Cl. .... 07-04**

(52) **U.S. Cl. .... D7/698**

(58) **Field of Search ..... D7/698, 699; 269/289 R,  
269/302.1, 13**

(56) **References Cited**

**U.S. PATENT DOCUMENTS**

- D416,768 S \* 11/1999 Lisser et al. .... D7/698
- D464,237 S \* 10/2002 Kaposi ..... D7/698
- 6,536,753 B1 \* 3/2003 Keener ..... 269/13

**FOREIGN PATENT DOCUMENTS**

JP 20021020 \* 4/2002 ..... A47J/47/00

\* cited by examiner

*Primary Examiner*—Caron D. Veynar

(74) *Attorney, Agent, or Firm*—Polster, Lieder, Woodruff & Luccesi, L.C.

(57) **CLAIM**

The ornamental design for a cutting board for foods, as shown and described.

**DESCRIPTION**

FIG. 1 is a top, front, and right side perspective view of a cutting board for foods showing my new design;

FIG. 2 is a top plan view thereof;

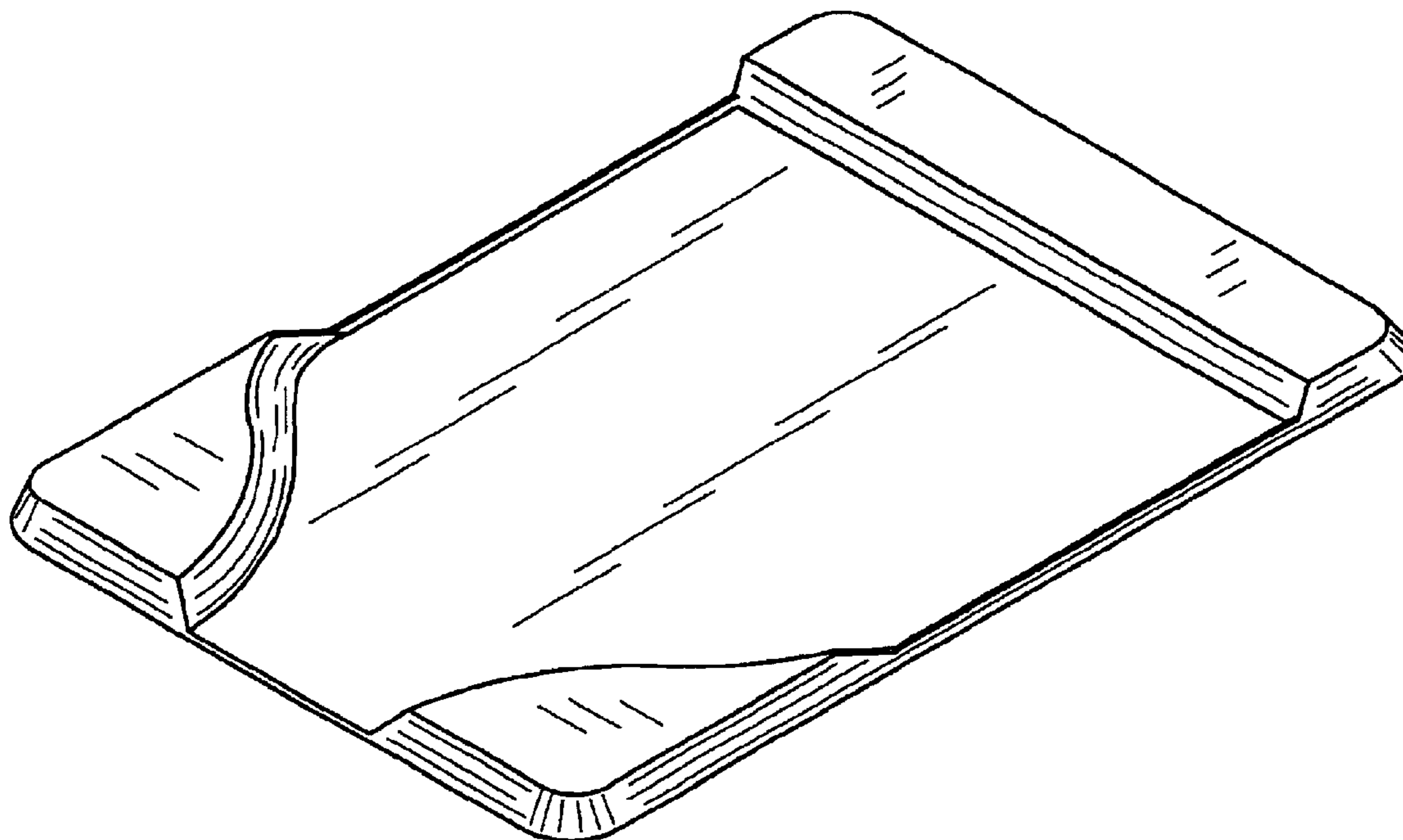
FIG. 3 is a rear elevation view thereof;

FIG. 4 is a front elevational view thereof; and,

FIG. 5 is a right side elevational view thereof, the left side being a mirror image of the right side.

The bottom of the design, which is not shown in the drawings, forms no part of the claimed design.

**1 Claim, 1 Drawing Sheet**



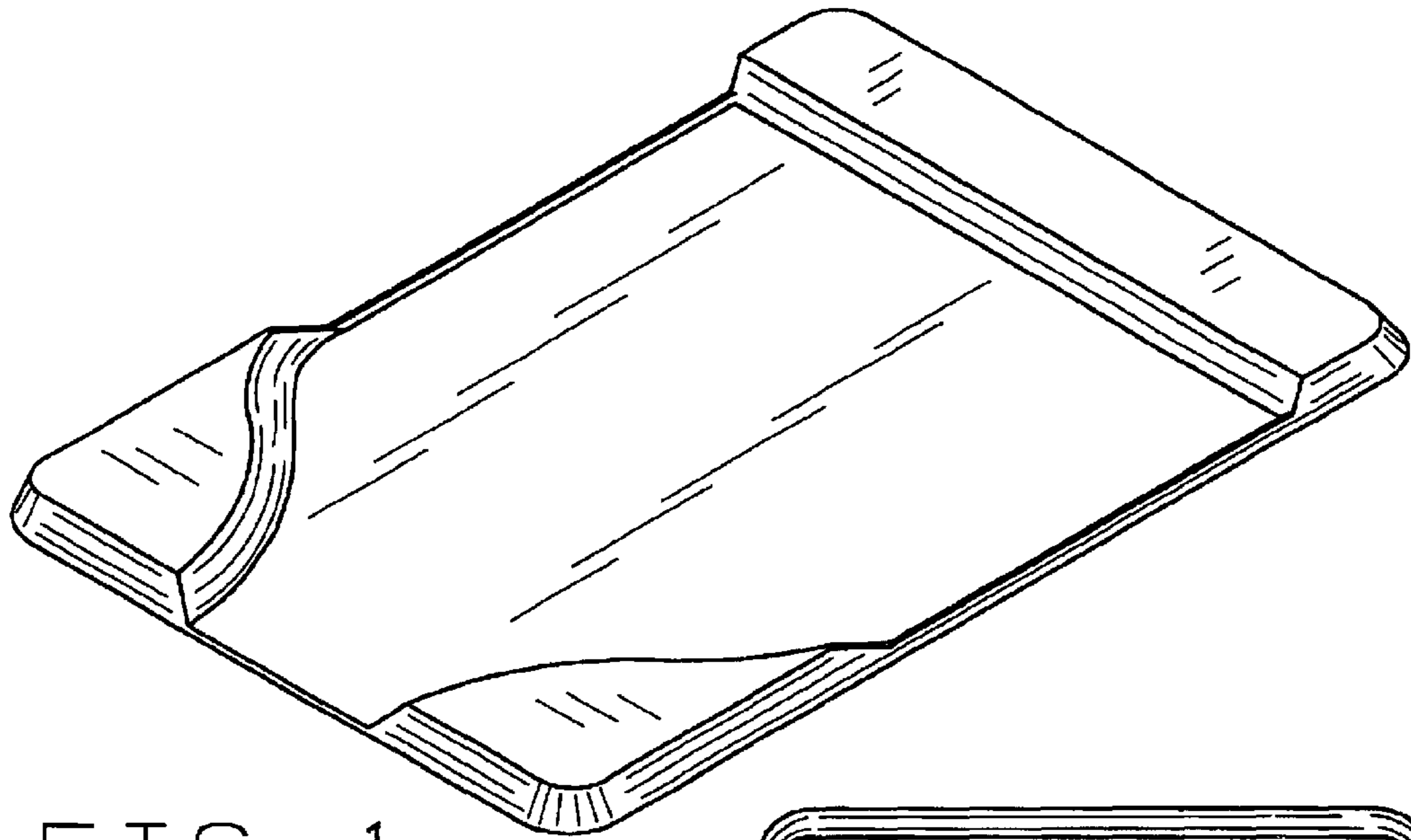


FIG. 1



FIG. 3

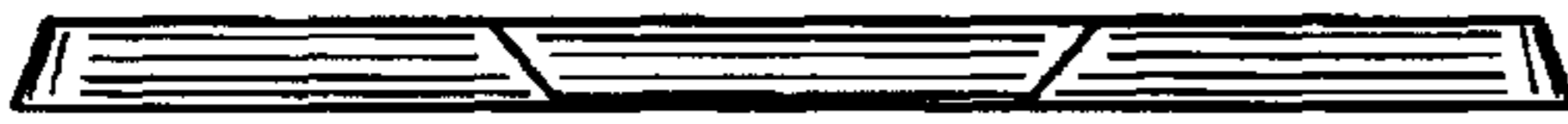


FIG. 4

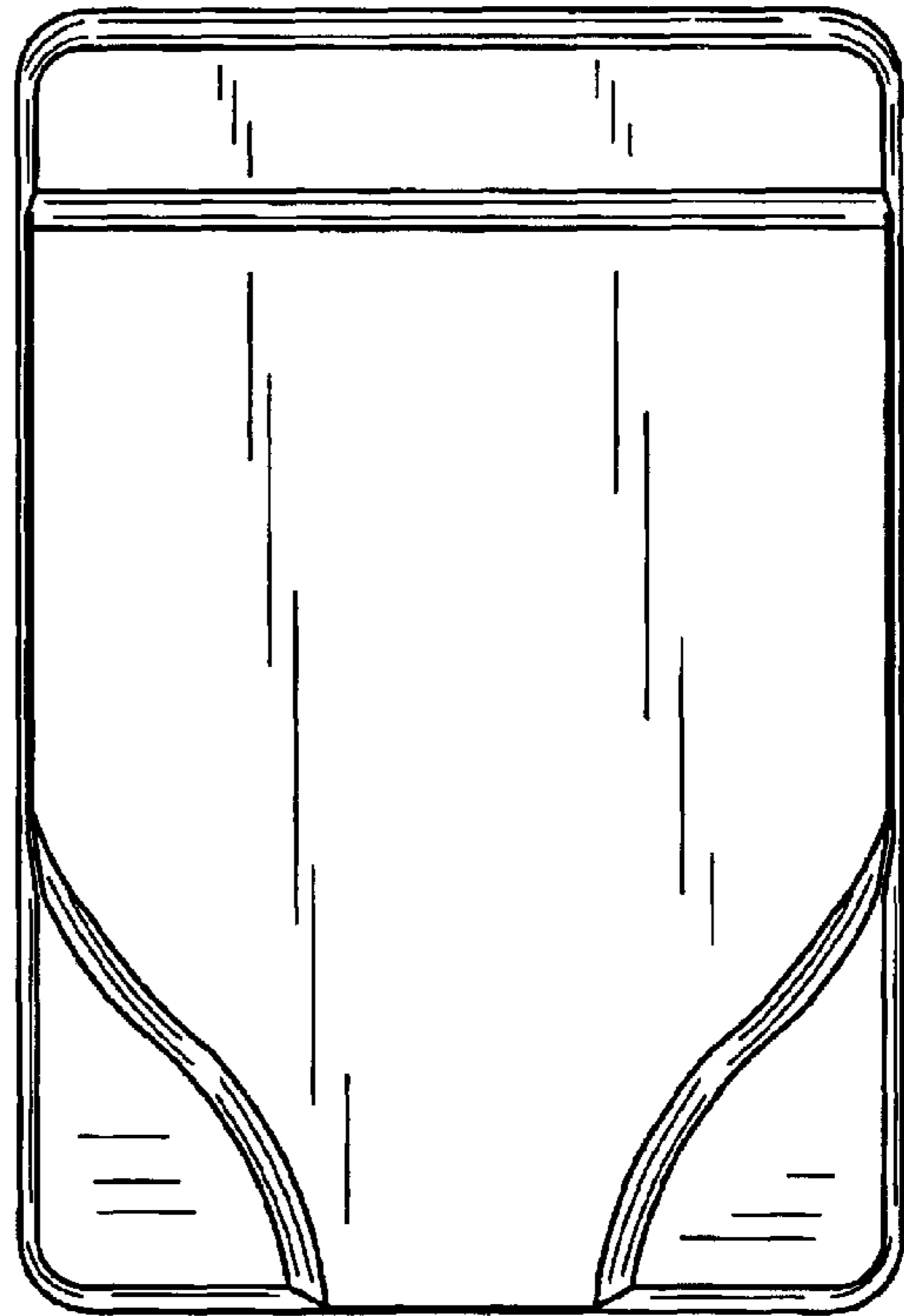


FIG. 2



FIG. 5