

US00D498119S

(12) **United States Design Patent**
Martin et al.

(10) **Patent No.: US D498,119 S**

(45) **Date of Patent: ** Nov. 9, 2004**

(54) **WARMING/COOLING BEVERAGE HOLDER**

5,511,685 A * 4/1996 Nelson 220/662
D378,795 S * 4/1997 King D7/608
D442,833 S * 5/2001 Shuman D7/608

(75) Inventors: **Mark G. Martin**, Monrovia, CA (US);
Tristan M. Christianson, San Francisco, CA (US)

* cited by examiner

(73) Assignee: **Sharper Image Corporation**, San Francisco, CA (US)

Primary Examiner—Terry A. Wallace

(**) Term: **14 Years**

(57) **CLAIM**

The ornamental design for a warming/cooling beverage holder, as shown and described.

(21) Appl. No.: **29/187,058**

DESCRIPTION

(22) Filed: **Jul. 25, 2003**

(51) **LOC (7) Cl.** **07-01**

FIG. 1 is a front perspective view of a warming/cooling beverage holder showing our new design;

(52) **U.S. Cl.** **D7/605**

FIG. 2 is a rear perspective view thereof;

(58) **Field of Search** D7/605-608, 619.1,
D7/624.1-624.3; 62/457.1-457.5, 530;
215/12.1, 12.2, 13.1; 220/737, 739, 902,
903, 592.17

FIG. 3 is a front view thereof;

FIG. 4 is a rear view thereof;

FIG. 5 is a right side view thereof;

FIG. 6 is a left side view thereof;

FIG. 7 is a top view thereof; and,

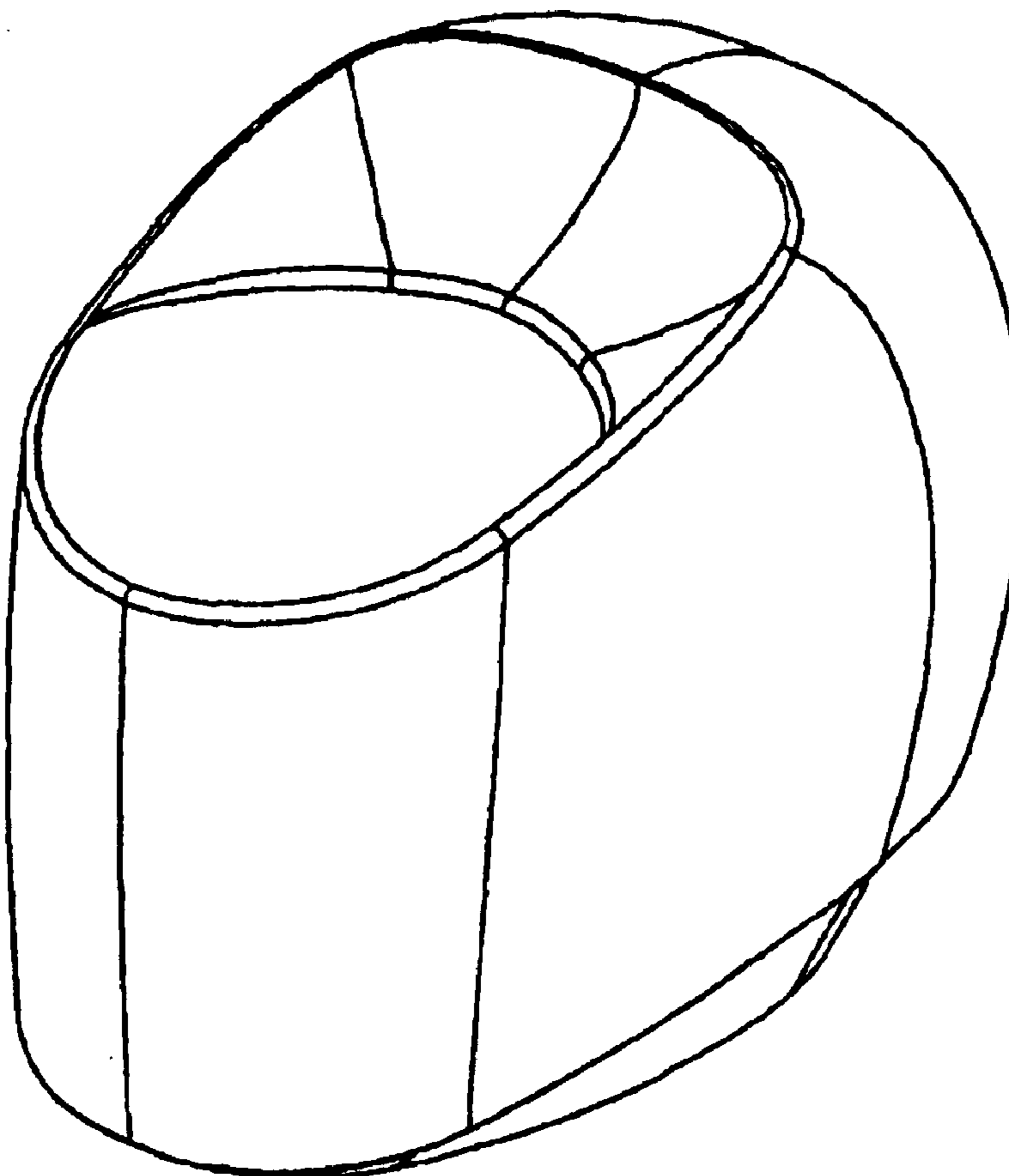
FIG. 8 is a bottom view thereof.

(56) **References Cited**

U.S. PATENT DOCUMENTS

D314,492 S * 2/1991 Weller et al. D7/623

1 Claim, 4 Drawing Sheets



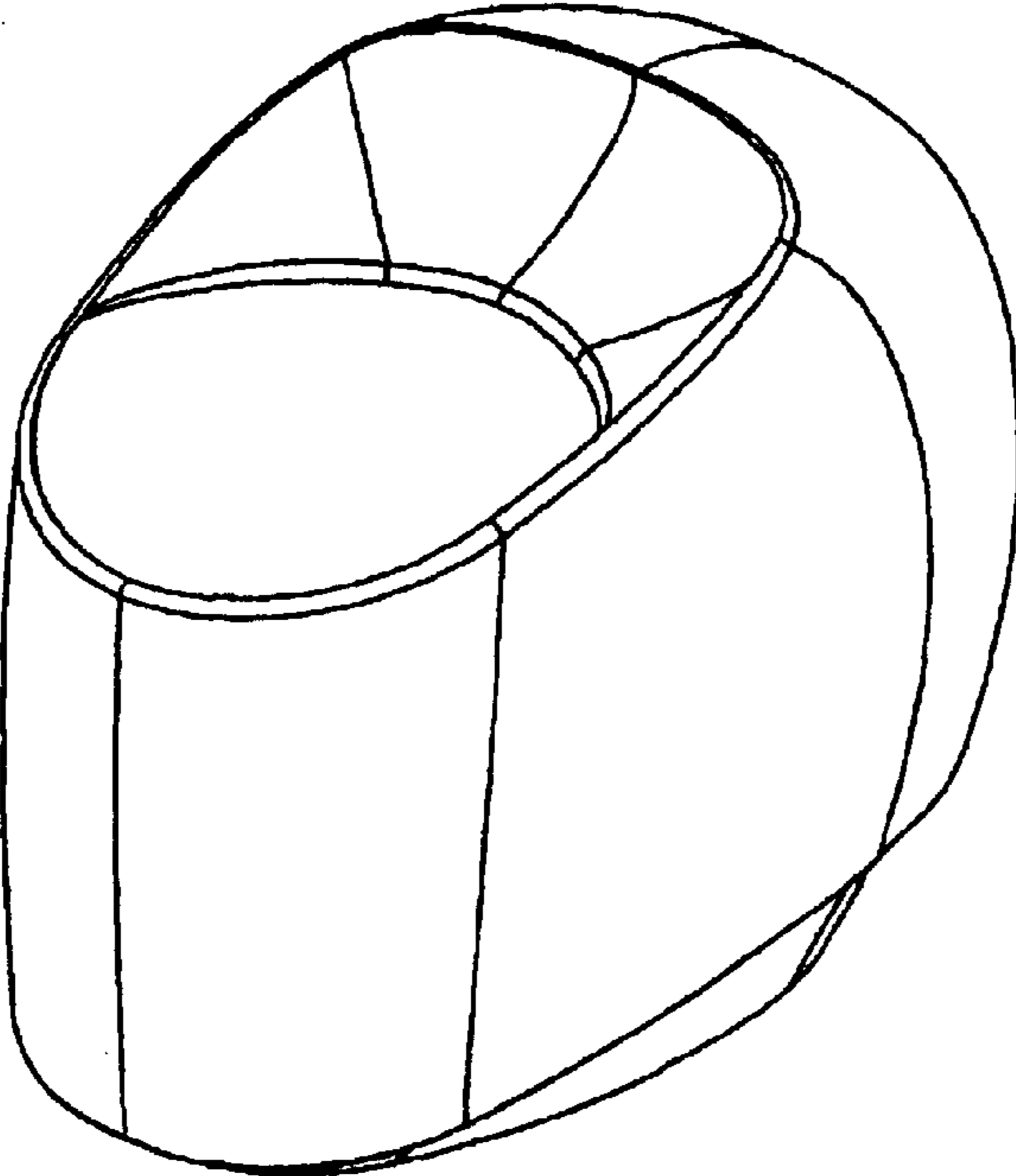


FIG. 1

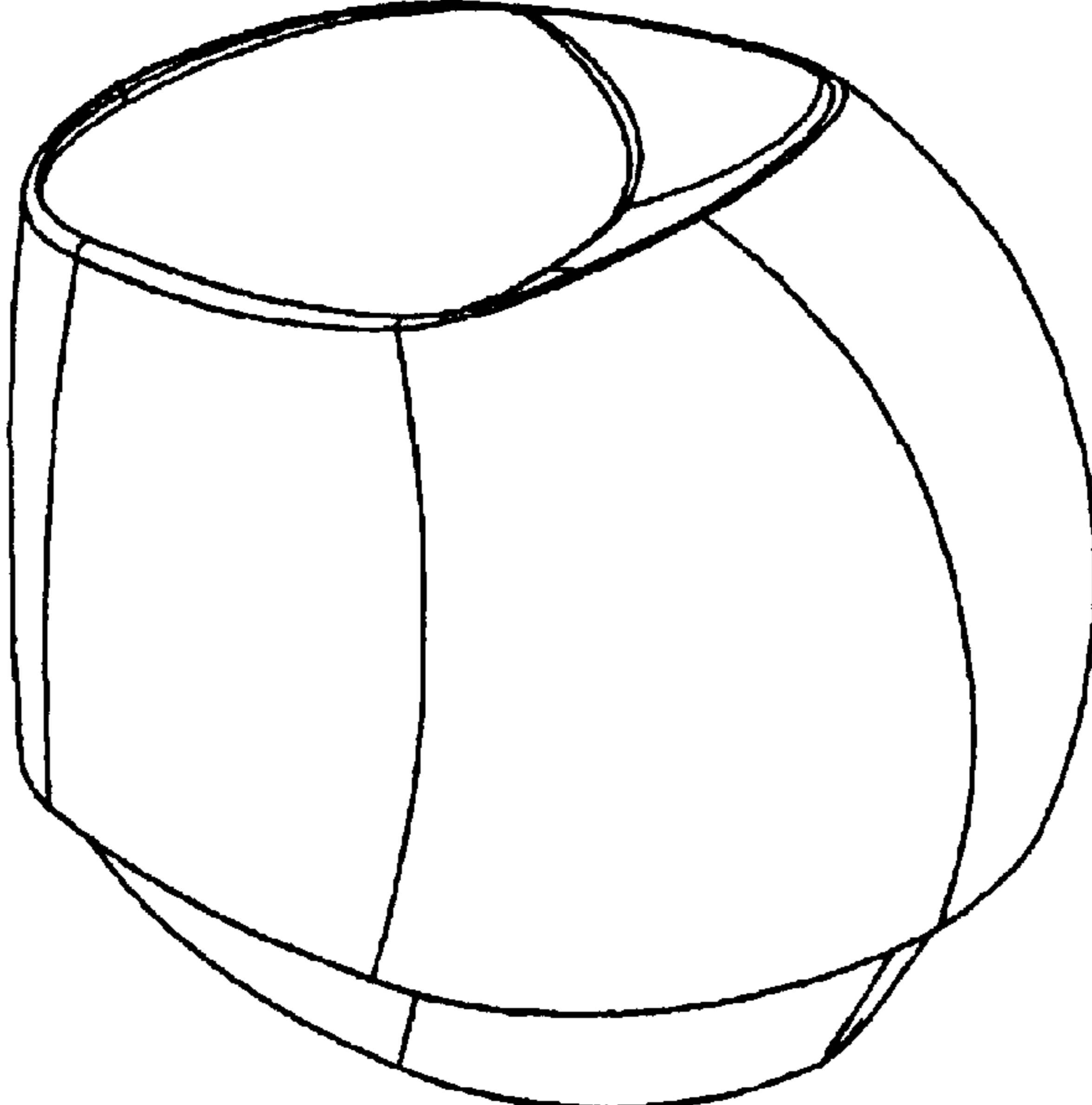


FIG. 2

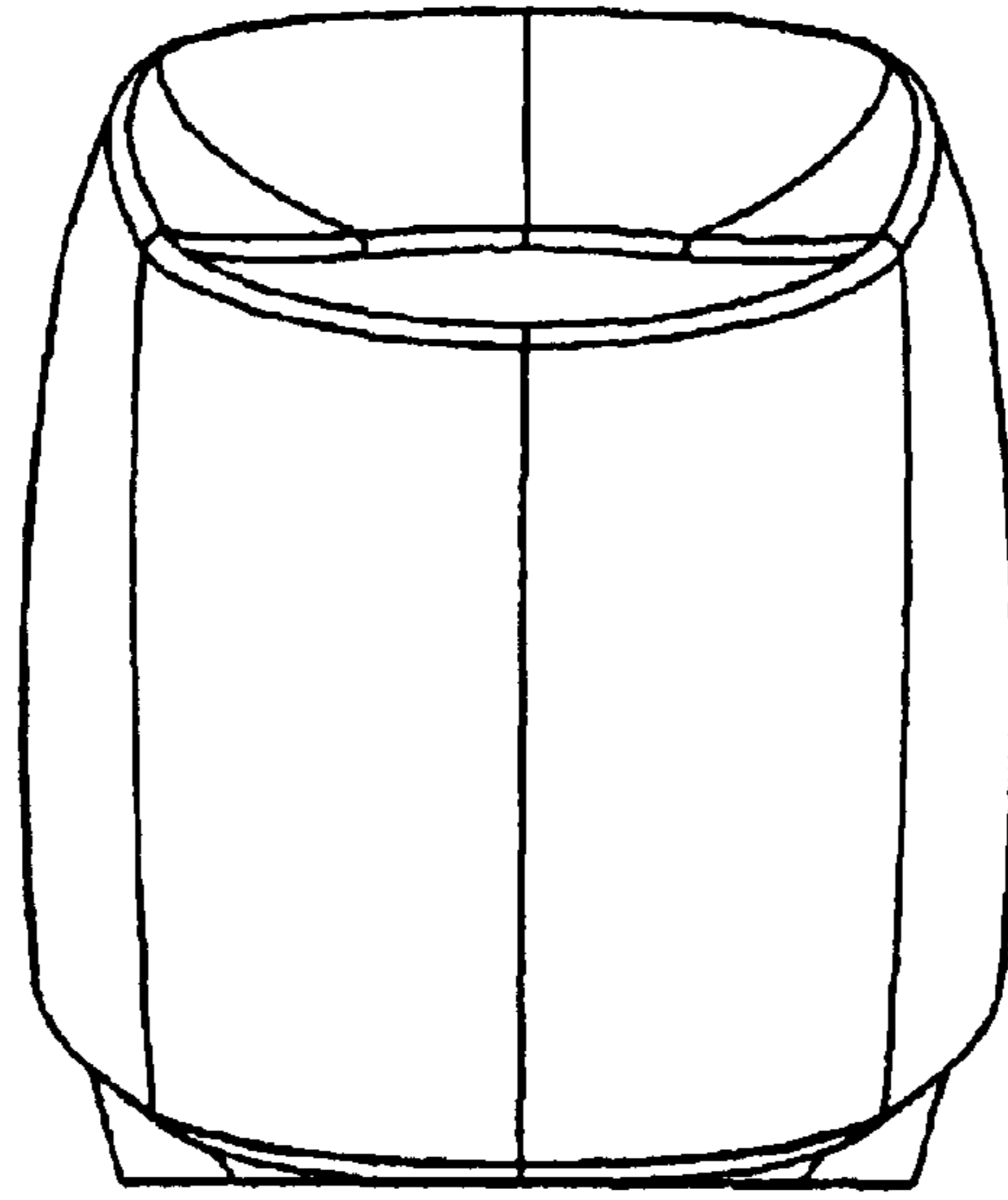


FIG. 3

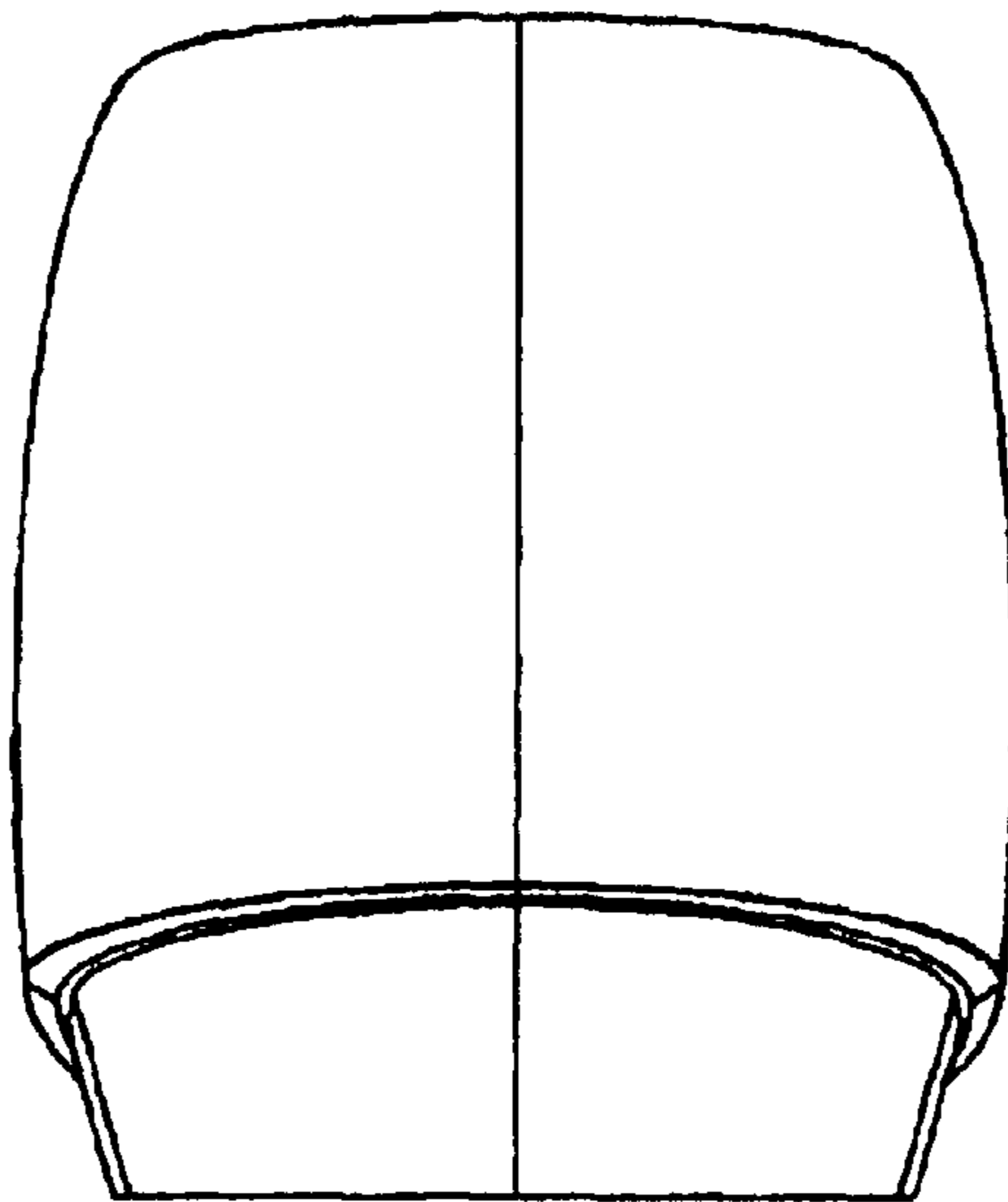


FIG. 4

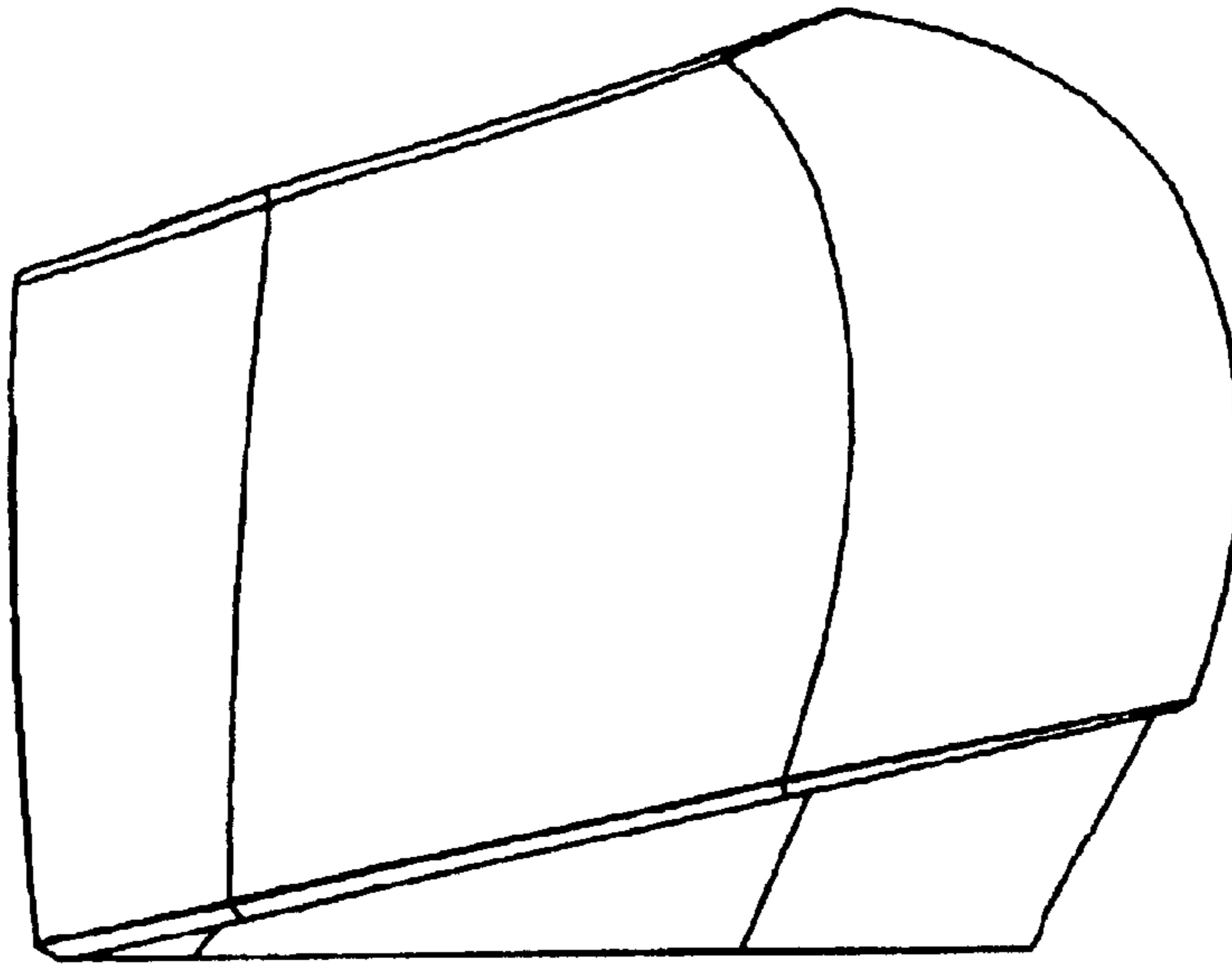


FIG. 5

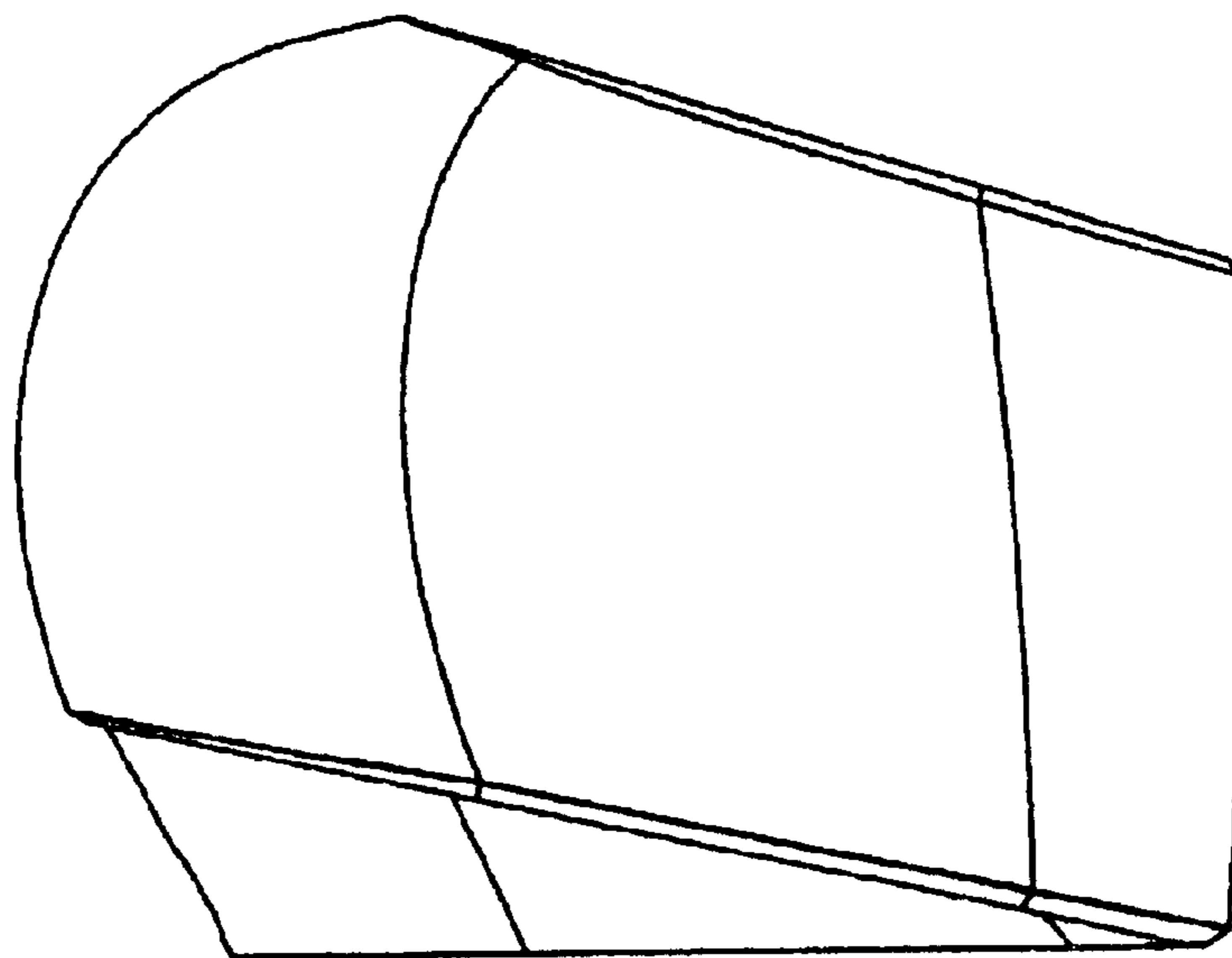


FIG. 6

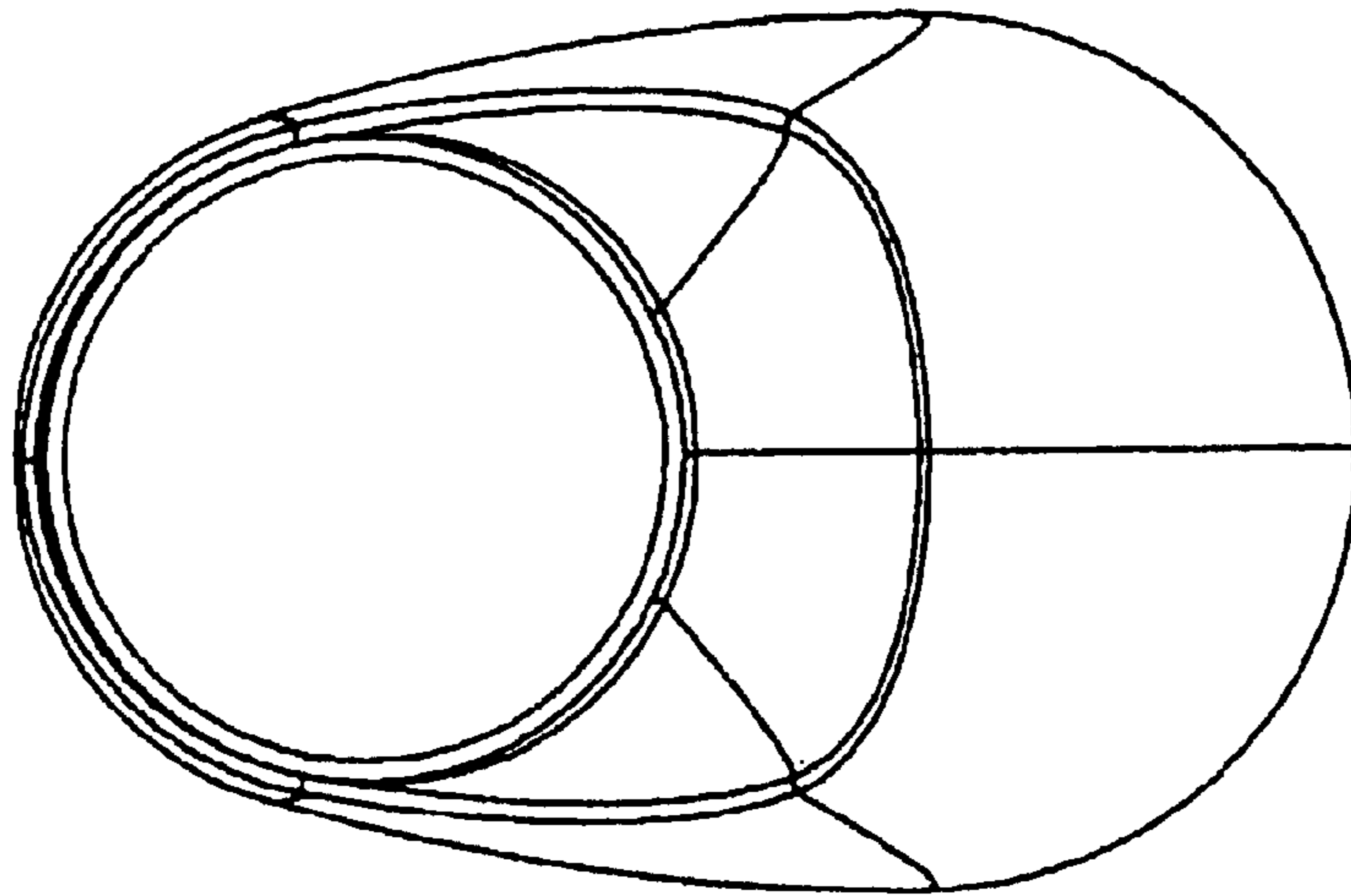


FIG. 7

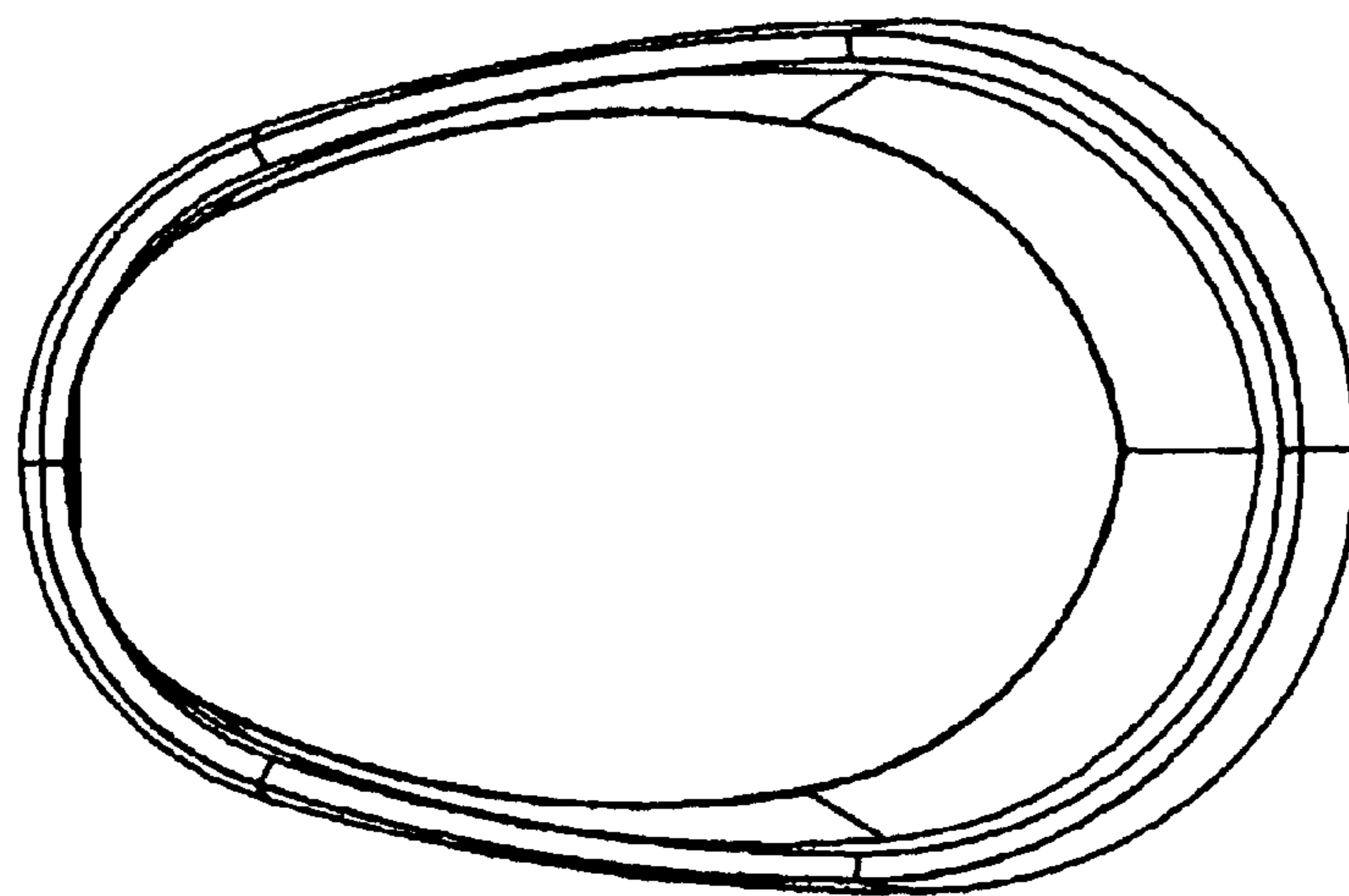


FIG. 8