

US00D498116S

(12) **United States Design Patent**
Papanastasiou

(10) **Patent No.: US D498,116 S**

(45) **Date of Patent: ** Nov. 9, 2004**

(54) **CAN HEATER**

(76) **Inventor: Andreas Papanastasiou**, 865 Broadway Ave., Apt. 12B, Holbrook, NY (US) 11741

(**) **Term: 14 Years**

(21) **Appl. No.: 29/190,368**

(22) **Filed: Sep. 22, 2003**

(51) **LOC (7) Cl. 07-02**

(52) **U.S. Cl. D7/362**

(58) **Field of Search** D7/362-367, 402-405, D7/407, 357, 501, 355, 332-337; 99/448, 425, 422, 339, 340, 372, 331

5,036,178 A	7/1991	Orbach	
D330,276 S	* 10/1992	Mitchum, Jr.	D34/27
D336,009 S	* 6/1993	Tringali et al.	D7/367
D403,554 S	* 1/1999	Asbury	D7/362
6,082,249 A	* 7/2000	Su	99/340
6,170,388 B1	* 1/2001	Shovick	99/331
D440,112 S	* 4/2001	Su	D7/367
6,363,842 B1	* 4/2002	Lin	99/425
D491,013 S	* 6/2004	Yang	D7/367

* cited by examiner

Primary Examiner—Ruth Mcinroy

(74) *Attorney, Agent, or Firm*—Richard L. Mikesell

(57) **CLAIM**

The ornamental design for a can heater, as shown and described.

(56) **References Cited**

U.S. PATENT DOCUMENTS

3,978,238 A	8/1976	Frey et al.	
3,998,145 A	* 12/1976	Maisch	99/339
4,406,942 A	* 9/1983	Lo Conti	219/433
4,463,664 A	8/1984	Peace	
4,927,997 A	* 5/1990	Bailey	219/443.1
D312,747 S	* 12/1990	Keung	D7/367

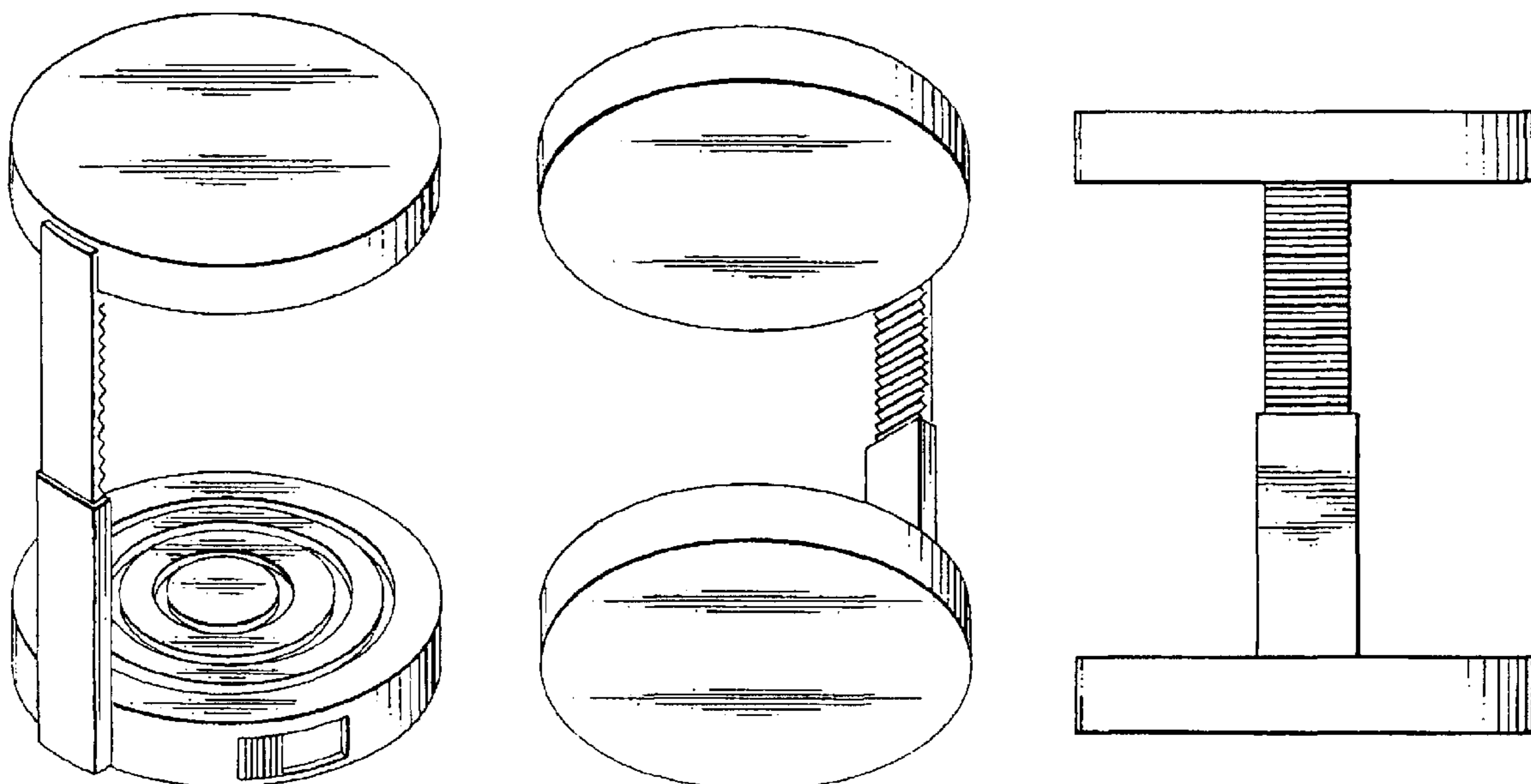
DESCRIPTION

FIG. 1 is a top, right perspective view of a can heater showing my new design;

FIG. 2 is a bottom, left perspective view thereof; and,

FIG. 3 is a front elevation view thereof.

1 Claim, 1 Drawing Sheet



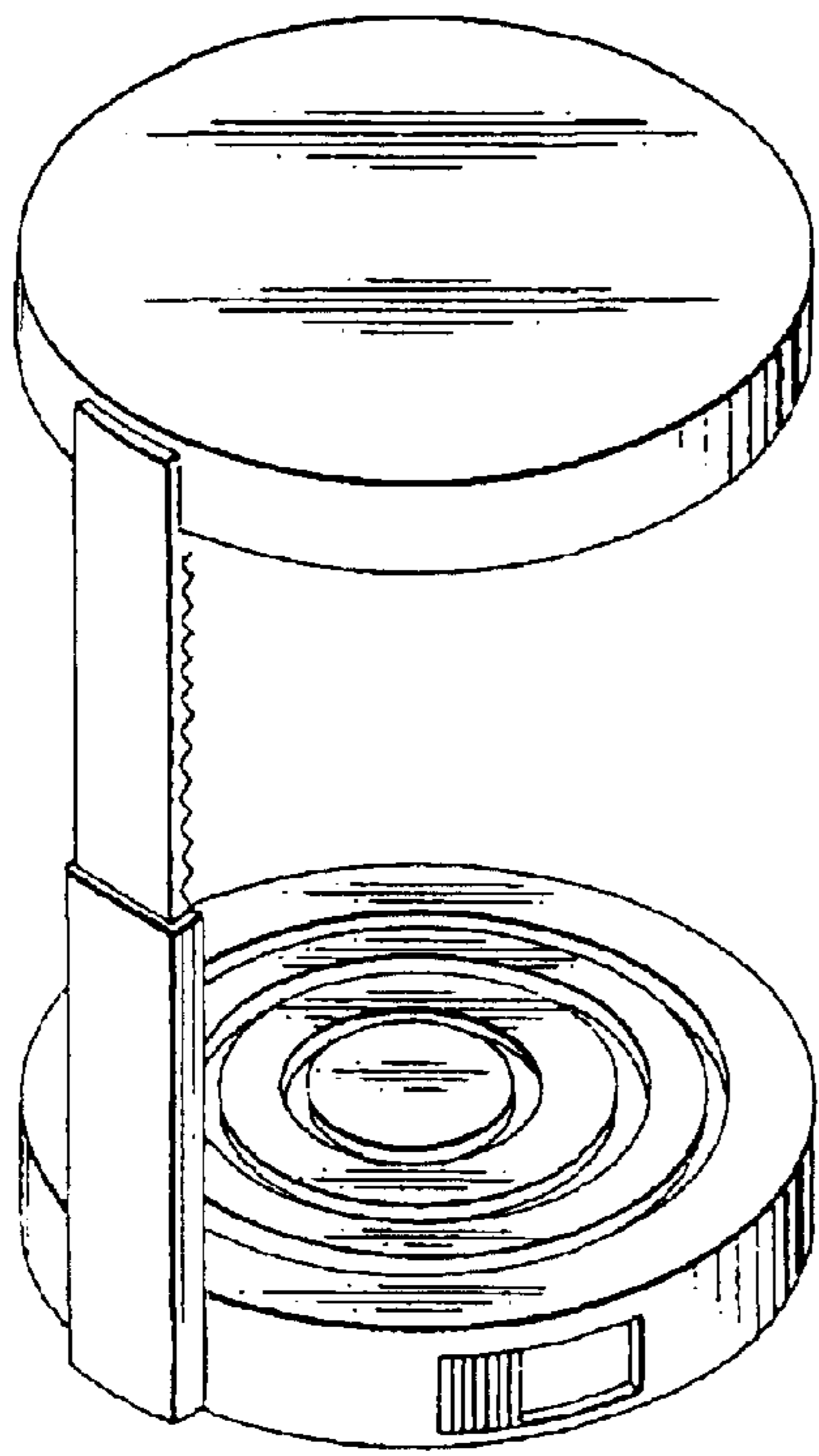


FIG. 1

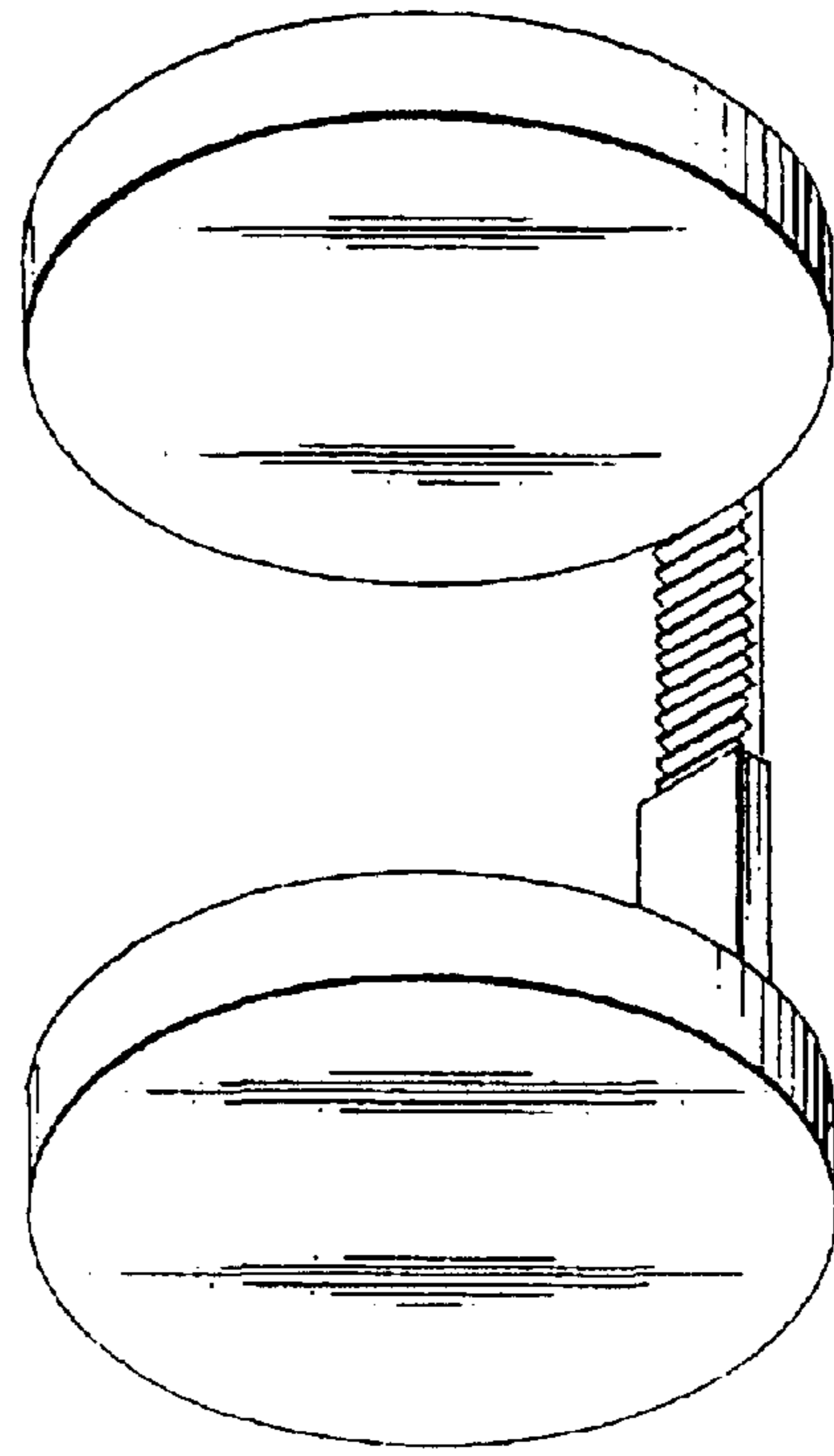


FIG. 2

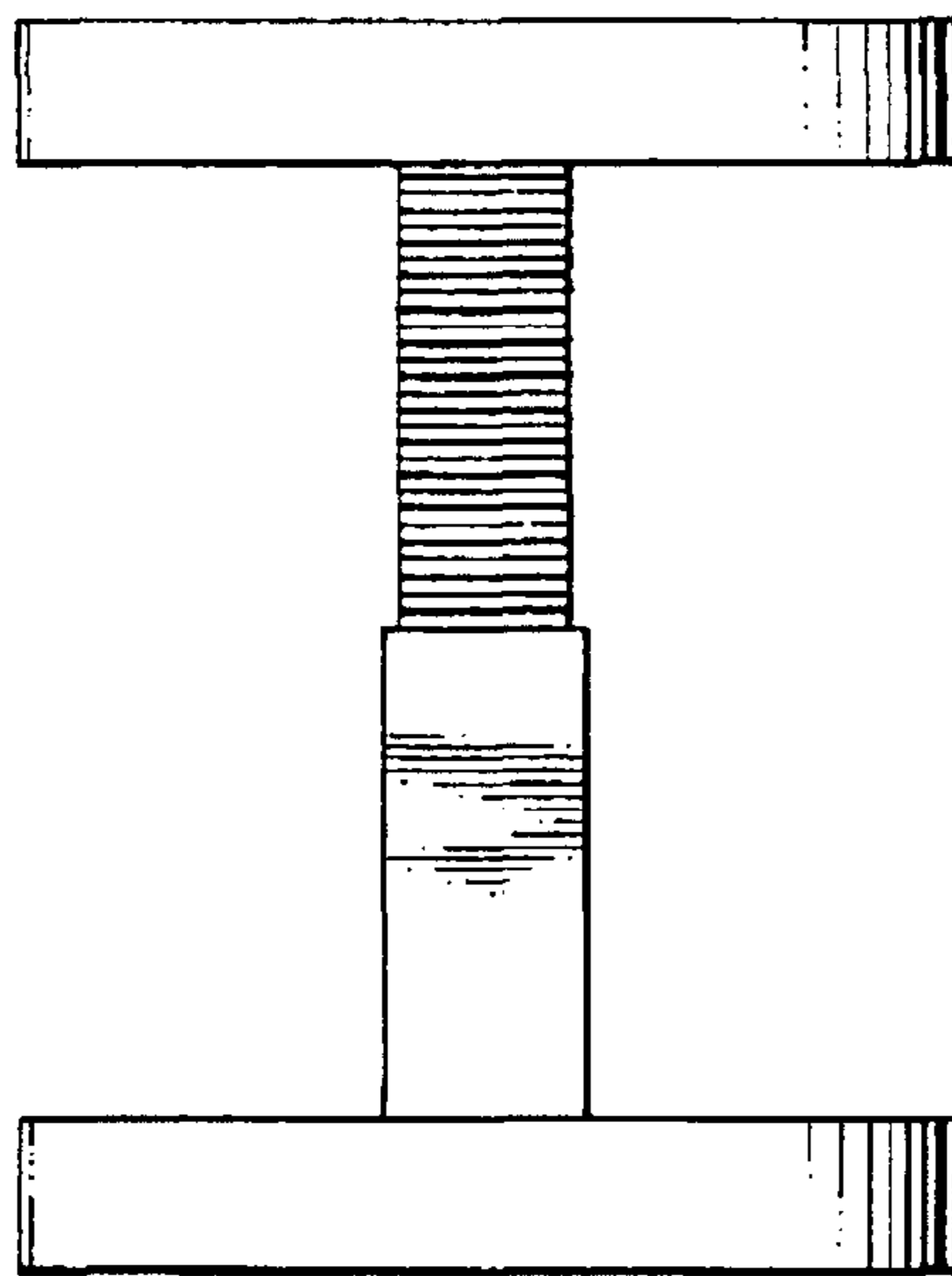


FIG. 3