

US00D498115S

(12) **United States Design Patent**  
**Shin**

(10) **Patent No.:** **US D498,115 S**

(45) **Date of Patent:** **\*\* Nov. 9, 2004**

(54) **ELECTRIC RICE COOKER**

(75) **Inventor:** **Dae Ki Shin, Seoul (KR)**

(73) **Assignee:** **LG Electronics Inc., Seoul (KR)**

(\*\*) **Term:** **14 Years**

(21) **Appl. No.:** **29/191,048**

(22) **Filed:** **Oct. 2, 2003**

(30) **Foreign Application Priority Data**

Apr. 4, 2003 (KR) ..... 30-2003-0009429

(51) **LOC (7) Cl.** ..... **07-02**

(52) **U.S. Cl.** ..... **D7/354**

(58) **Field of Search** ..... D7/323, 354-361;  
99/324-340, 403-418; 219/620, 621, 438-442;  
426/438, 441

(56) **References Cited**

**U.S. PATENT DOCUMENTS**

D368,620 S \* 4/1996 Piret ..... D7/354  
D423,277 S \* 4/2000 Josancy ..... D7/354

D452,412 S \* 12/2001 Jeong ..... D7/354  
D464,526 S \* 10/2002 Brown ..... D7/354  
D489,223 S \* 5/2004 Jung et al. .... D7/358  
D489,935 S \* 5/2004 Choi ..... D7/354

\* cited by examiner

*Primary Examiner*—Caron D. Veynar

(74) *Attorney, Agent, or Firm*—Birch, Stewart, Kolasch & Birch, LLP

(57) **CLAIM**

The ornamental design for an electric rice cooker, as shown and described.

**DESCRIPTION**

FIG. 1 is a perspective view of an electric rice cooker showing my new design;  
FIG. 2 is a front view thereof;  
FIG. 3 is a rear view thereof;  
FIG. 4 is a left-side view thereof;  
FIG. 5 is a right-side view thereof;  
FIG. 6 is a top plan view thereof; and,  
FIG. 7 is a bottom plan view thereof.

**1 Claim, 4 Drawing Sheets**

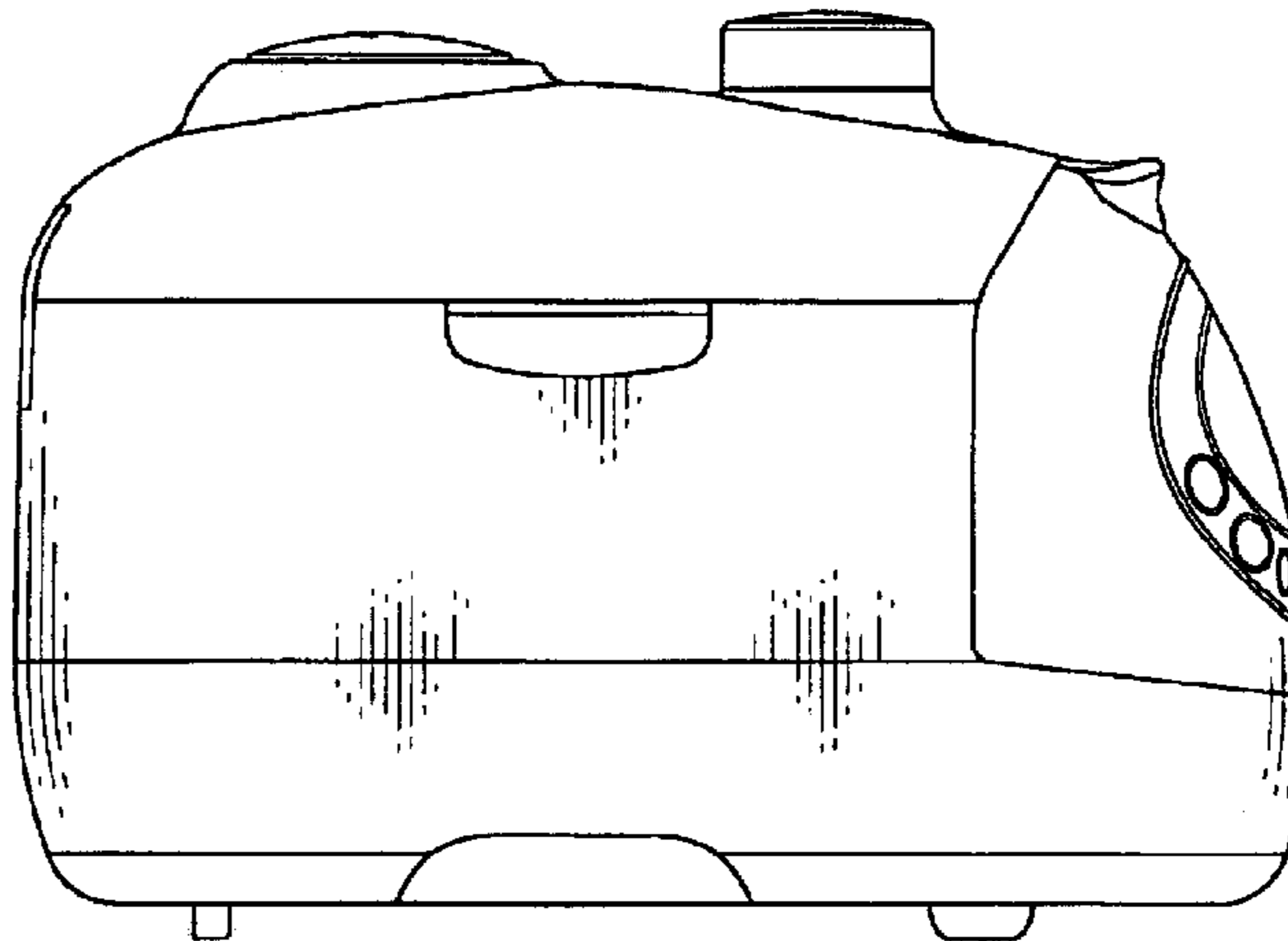
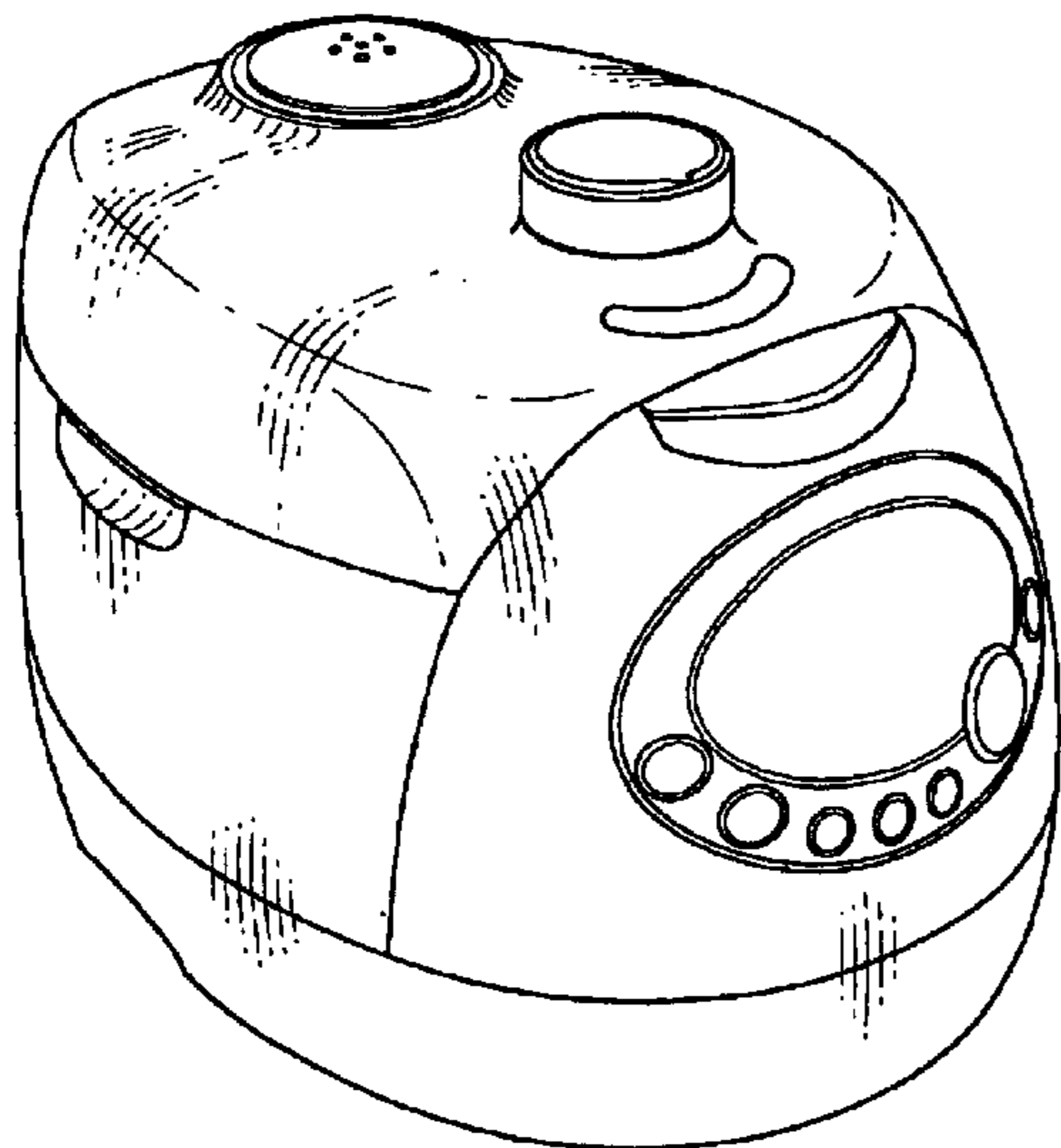


FIG. 1

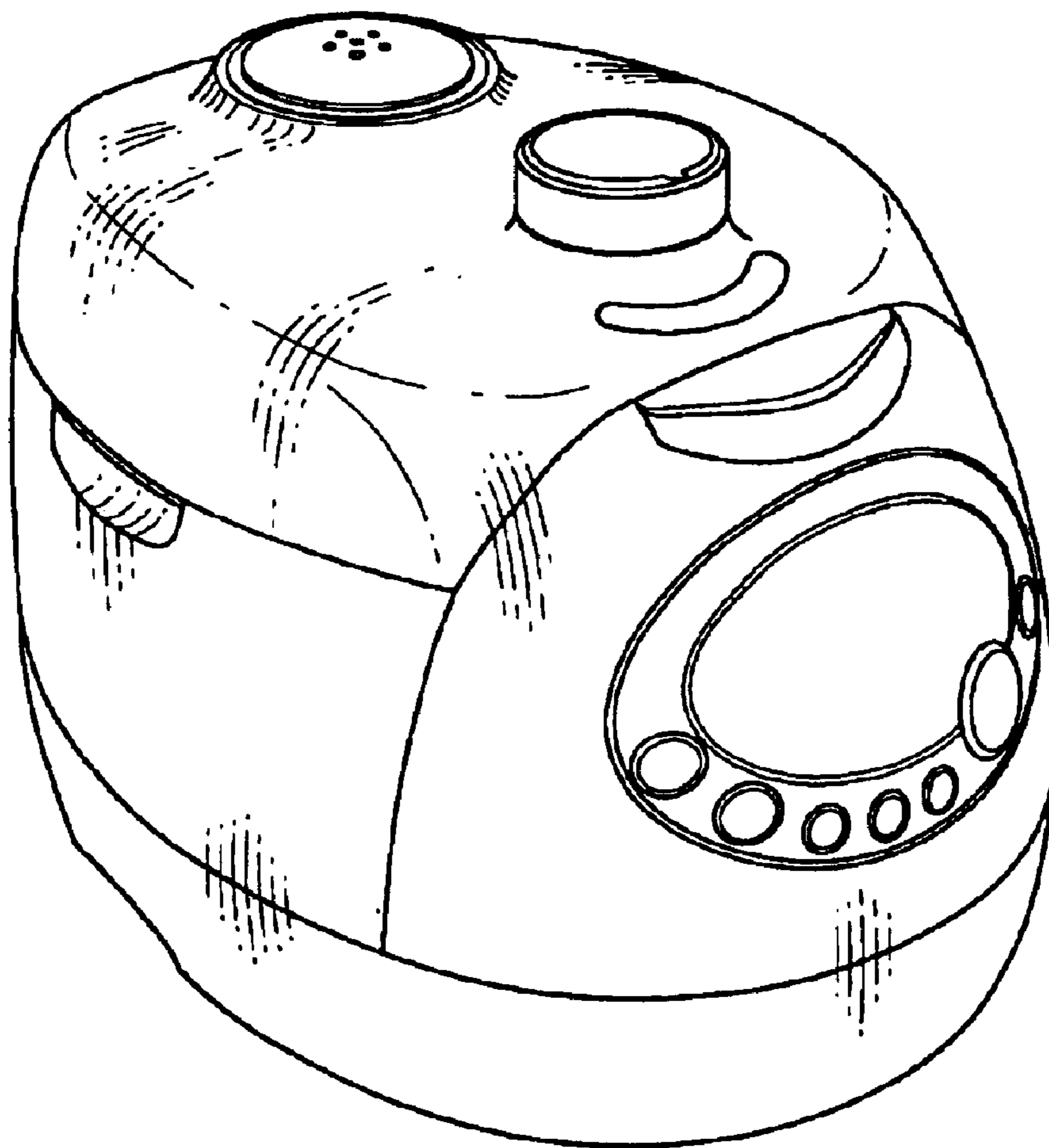


FIG. 2

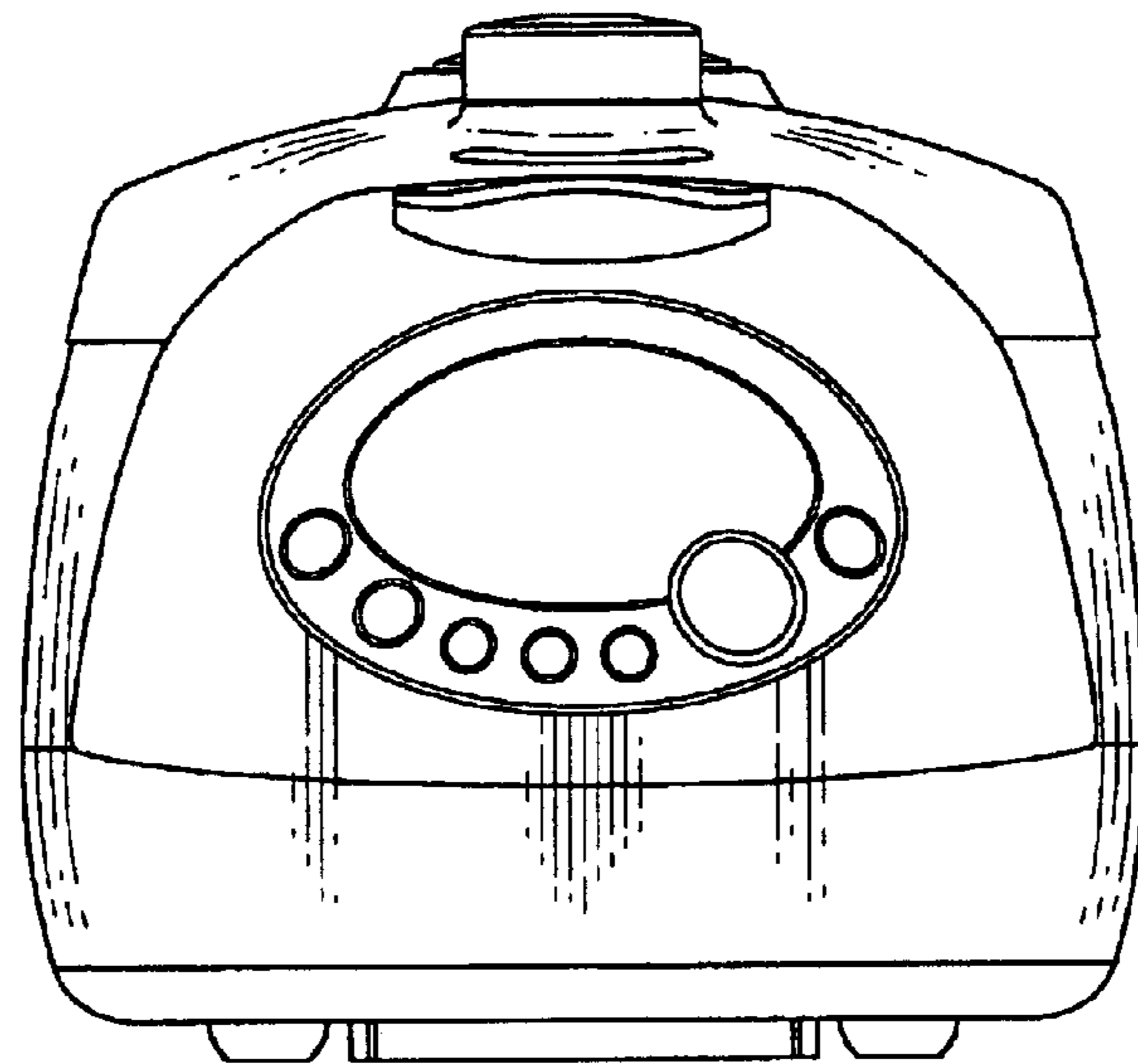


FIG. 3

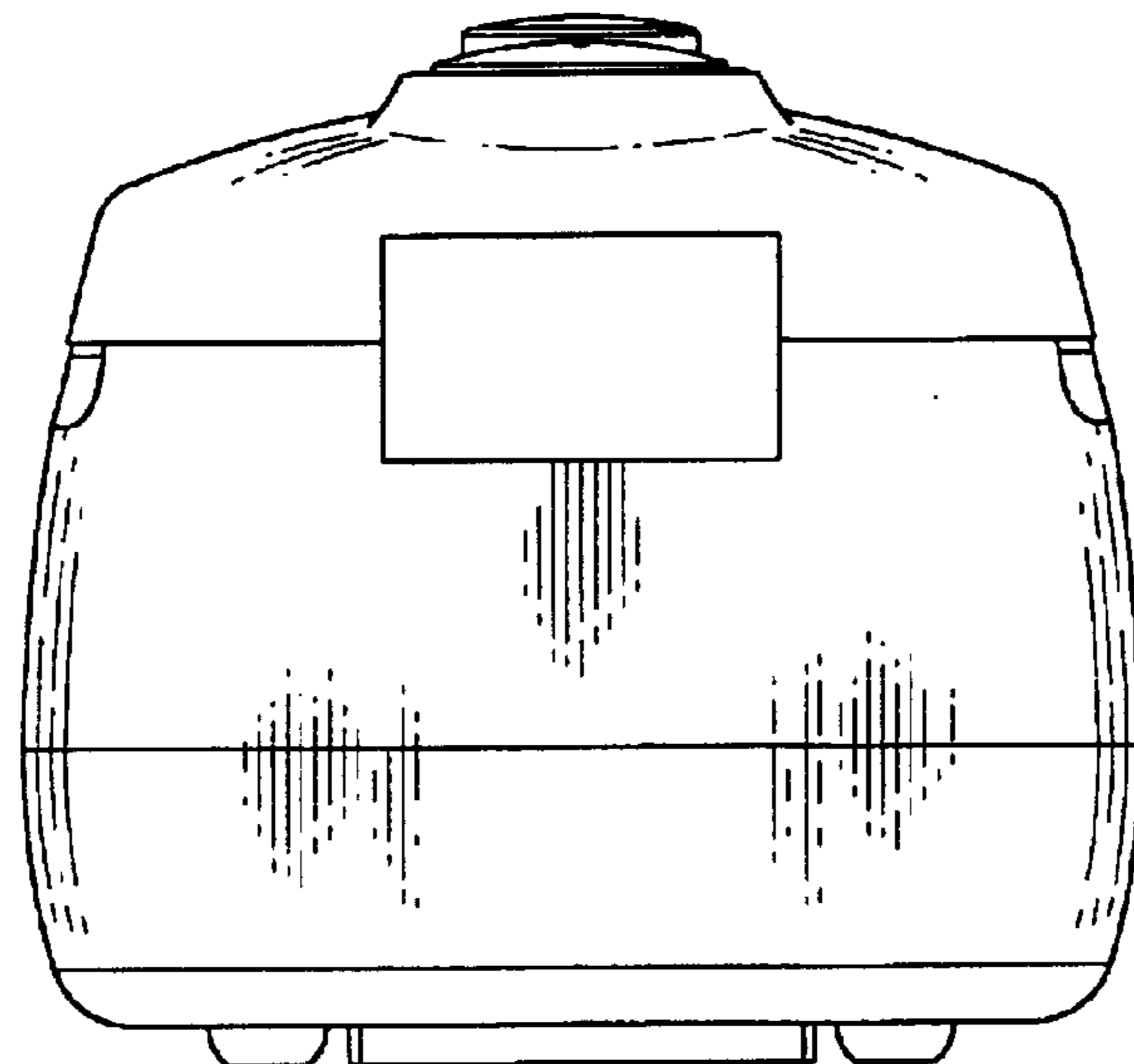


FIG. 4

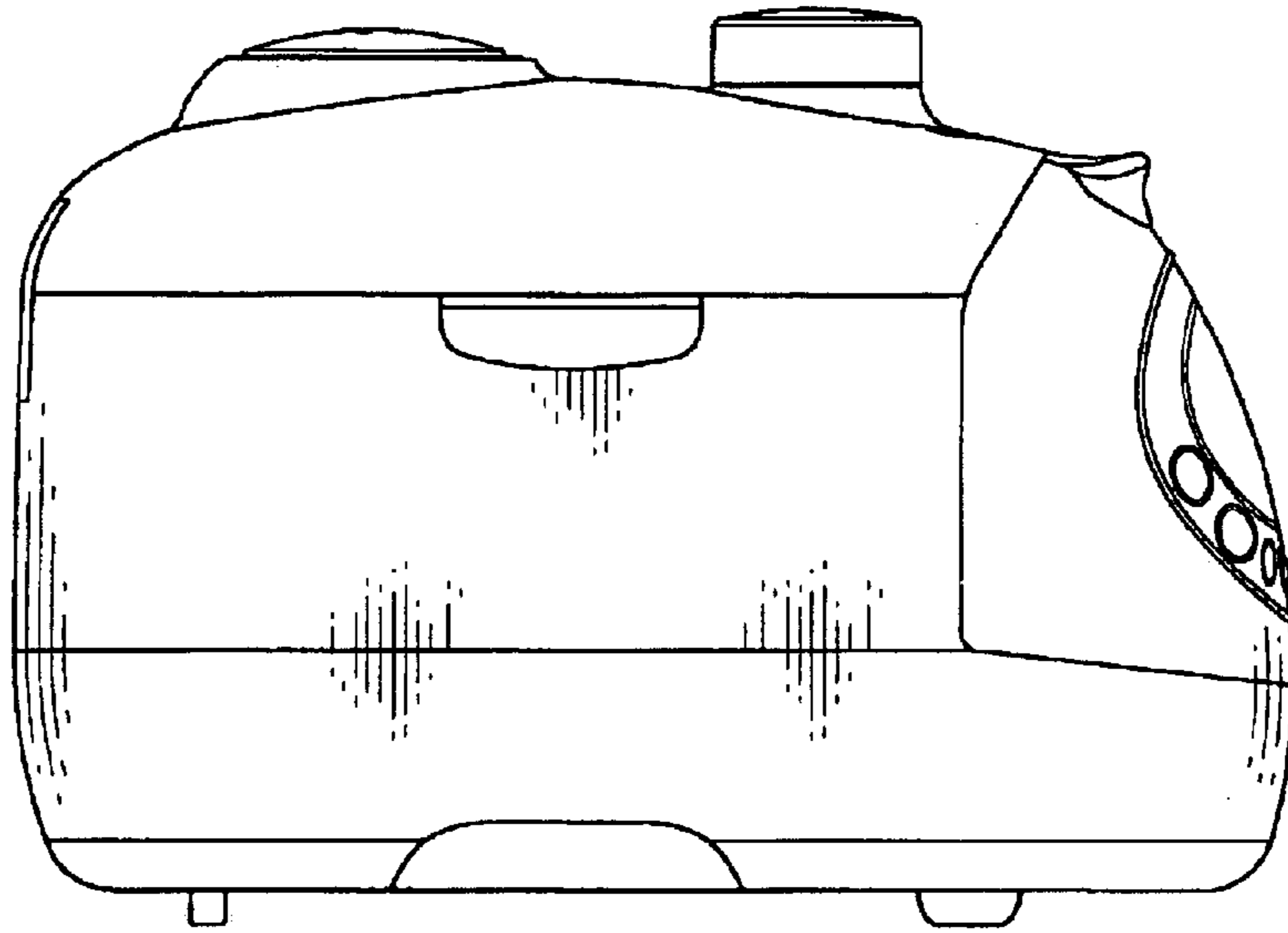


FIG. 5

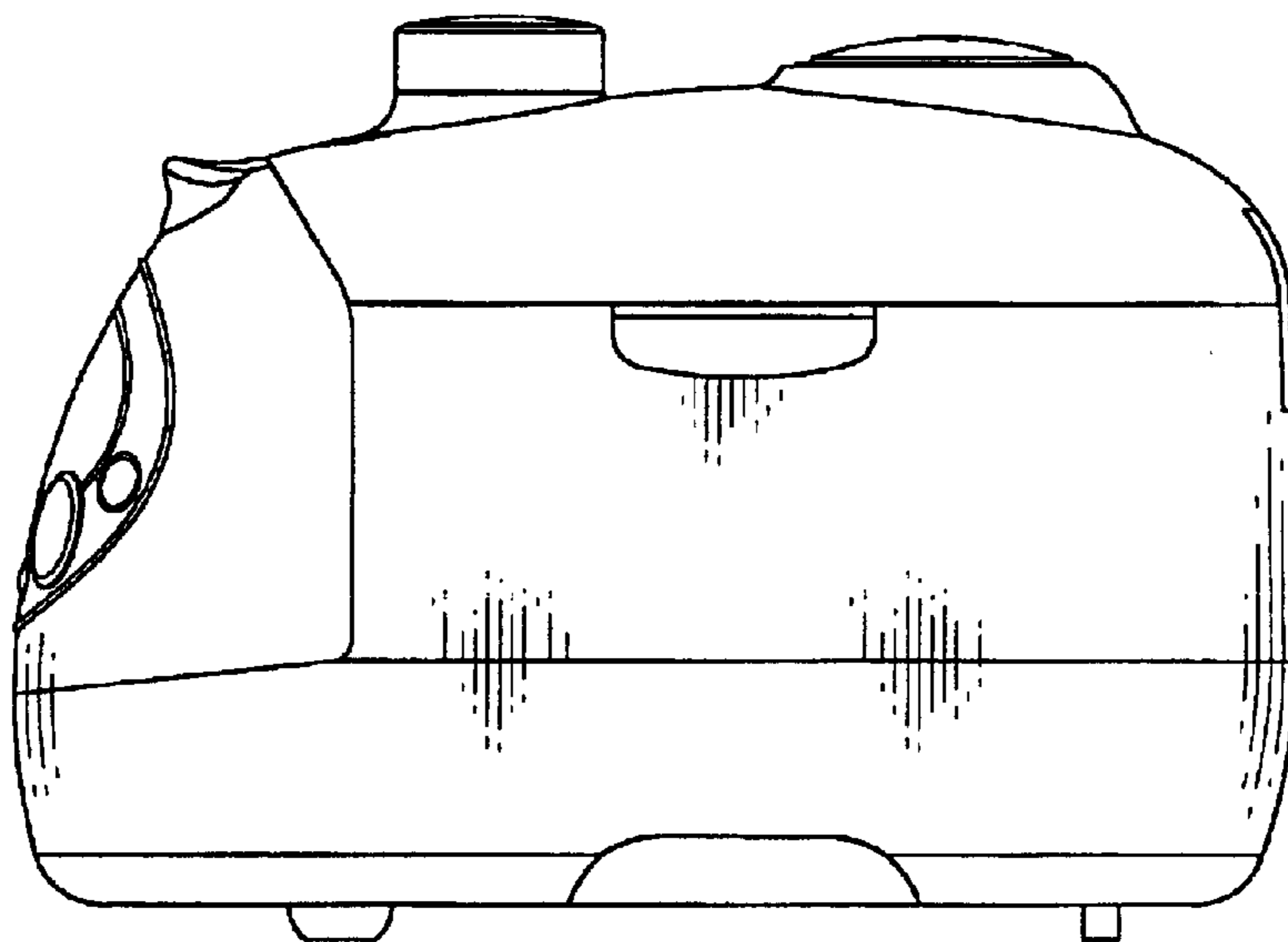


FIG. 6

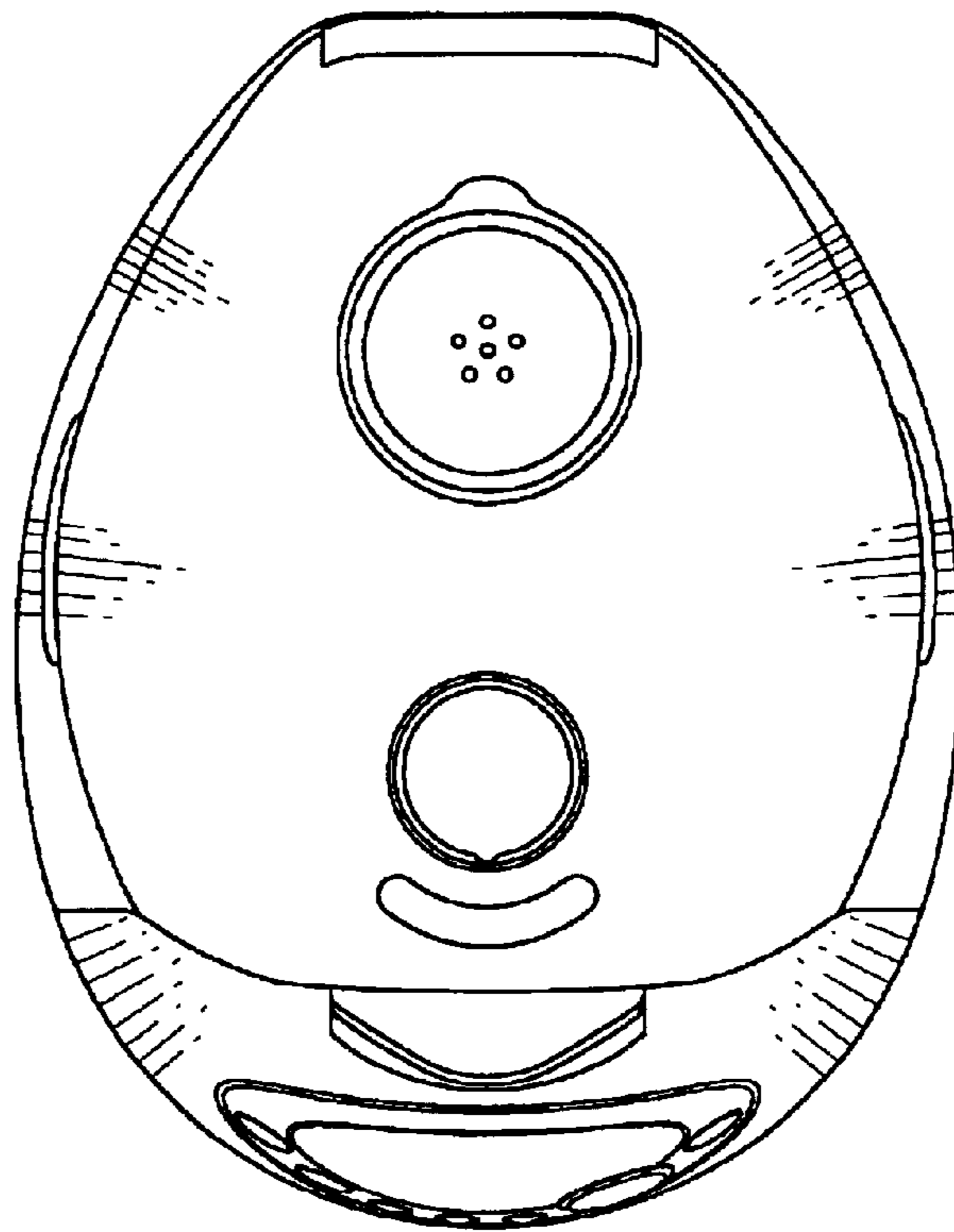


FIG. 7

