

US00D498114S

(12) **United States Design Patent**
Zhang

(10) **Patent No.:** **US D498,114 S**

(45) **Date of Patent:** **** Nov. 9, 2004**

(54) **BARBEQUE GRILL COOKING APPARATUS**

(76) **Inventor:** **S. R. Zhang**, Block 6, Lakepoint Drive,
No. 03-38, Singapore (SG), 648925

(**) **Term:** **14 Years**

(21) **Appl. No.:** **29/189,599**

(22) **Filed:** **Sep. 6, 2003**

(51) **LOC (7) Cl.** **07-02**

(52) **U.S. Cl.** **D7/337**

(58) **Field of Search** D7/332-337, 402-405;
126/25 R, 25 A, 25 AA, 41 R, 50, 9 R;
99/419, 421 HV

(56) **References Cited**

U.S. PATENT DOCUMENTS

D282,619 S	*	2/1986	Fitzgerald et al.	D7/332
D302,641 S	*	8/1989	Elmburg	D7/332
D420,244 S	*	2/2000	Pai	D7/332
D455,598 S	*	4/2002	Pai	D7/337
D461,360 S	*	8/2002	Bossler	D7/337
D464,233 S	*	10/2002	Pai	D7/402

D464,844 S * 10/2002 Pai D7/337

D468,151 S * 1/2003 Yeh et al. D7/337

D473,415 S * 4/2003 Yeh D7/337

6,557,546 B1 * 5/2003 Gibbons 126/41 R

D478,772 S * 8/2003 Chung D7/337

* cited by examiner

Primary Examiner—Ruth McInroy

(74) *Attorney, Agent, or Firm*—Leonard Tachner

(57) **CLAIM**

The ornamental design for a barbeque grill cooking apparatus, as shown and described.

DESCRIPTION

FIG. 1 is a rear view of a barbeque grill cooking apparatus showing my new design;

FIG. 2 is a front view thereof

FIG. 3 is a perspective view thereof;

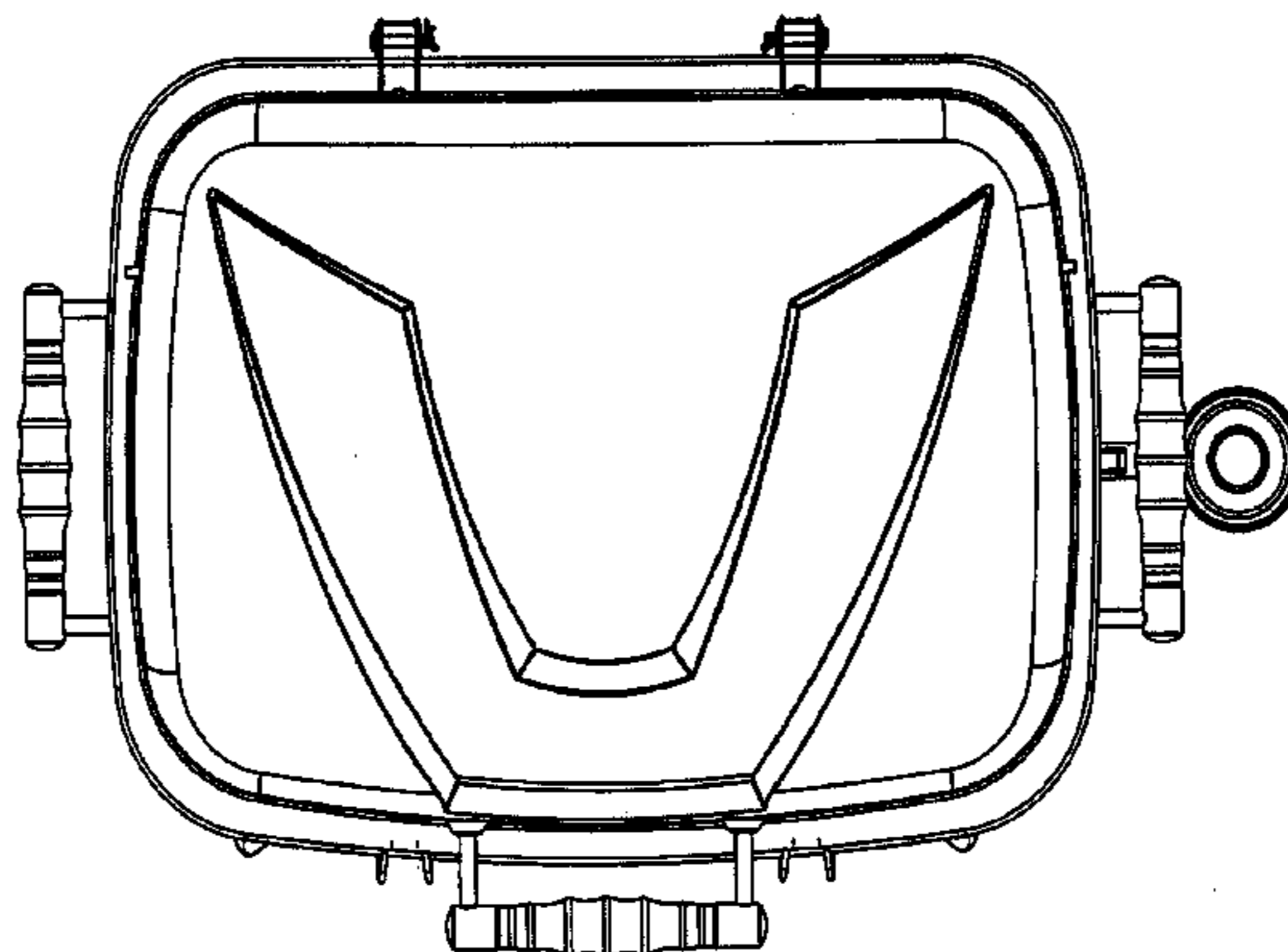
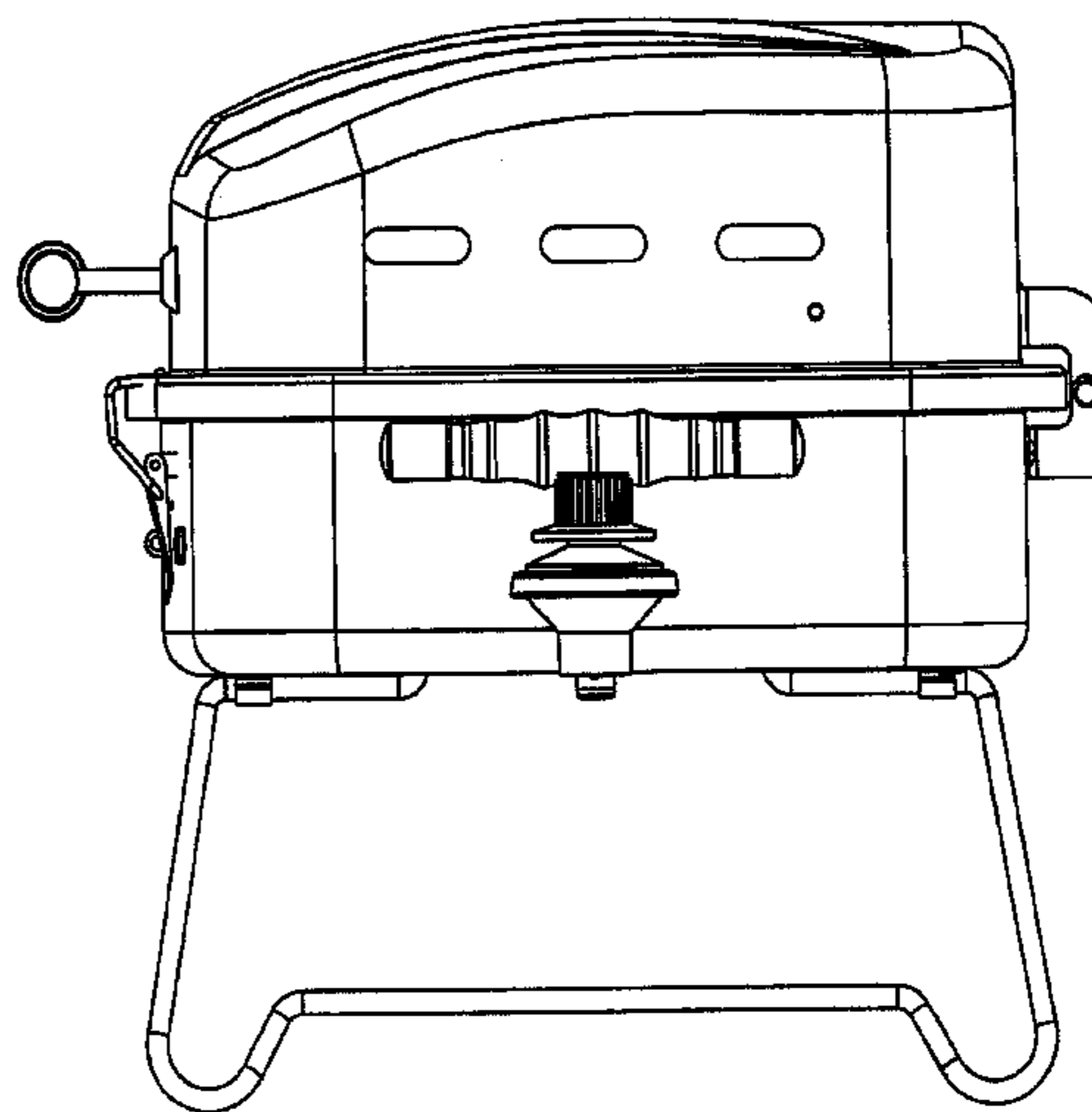
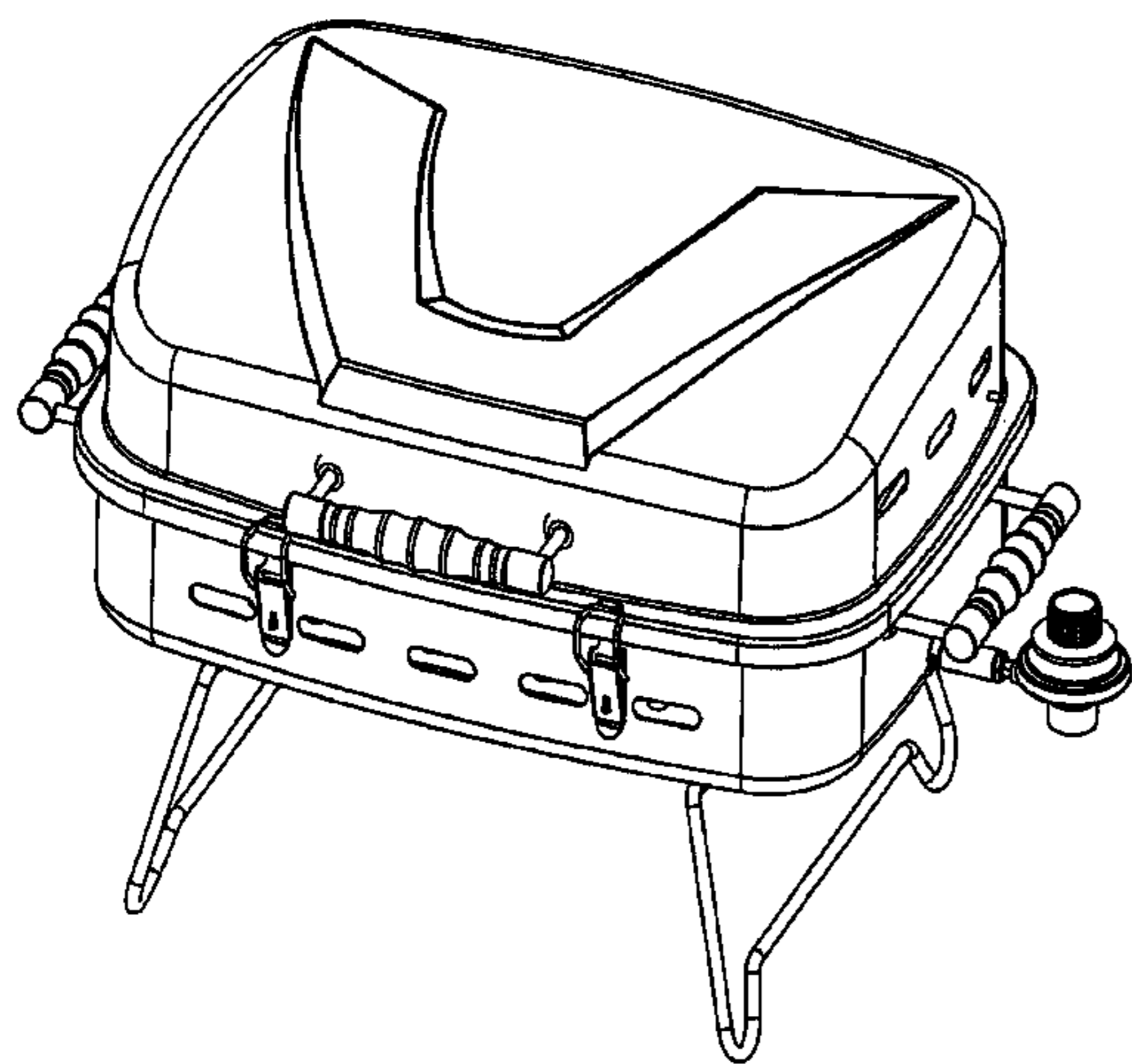
FIG. 4 is a right side view thereof;

FIG. 5 is a left side view thereof;

FIG. 6 is a top view thereof; and,

FIG. 7 is a bottom view thereof.

1 Claim, 7 Drawing Sheets



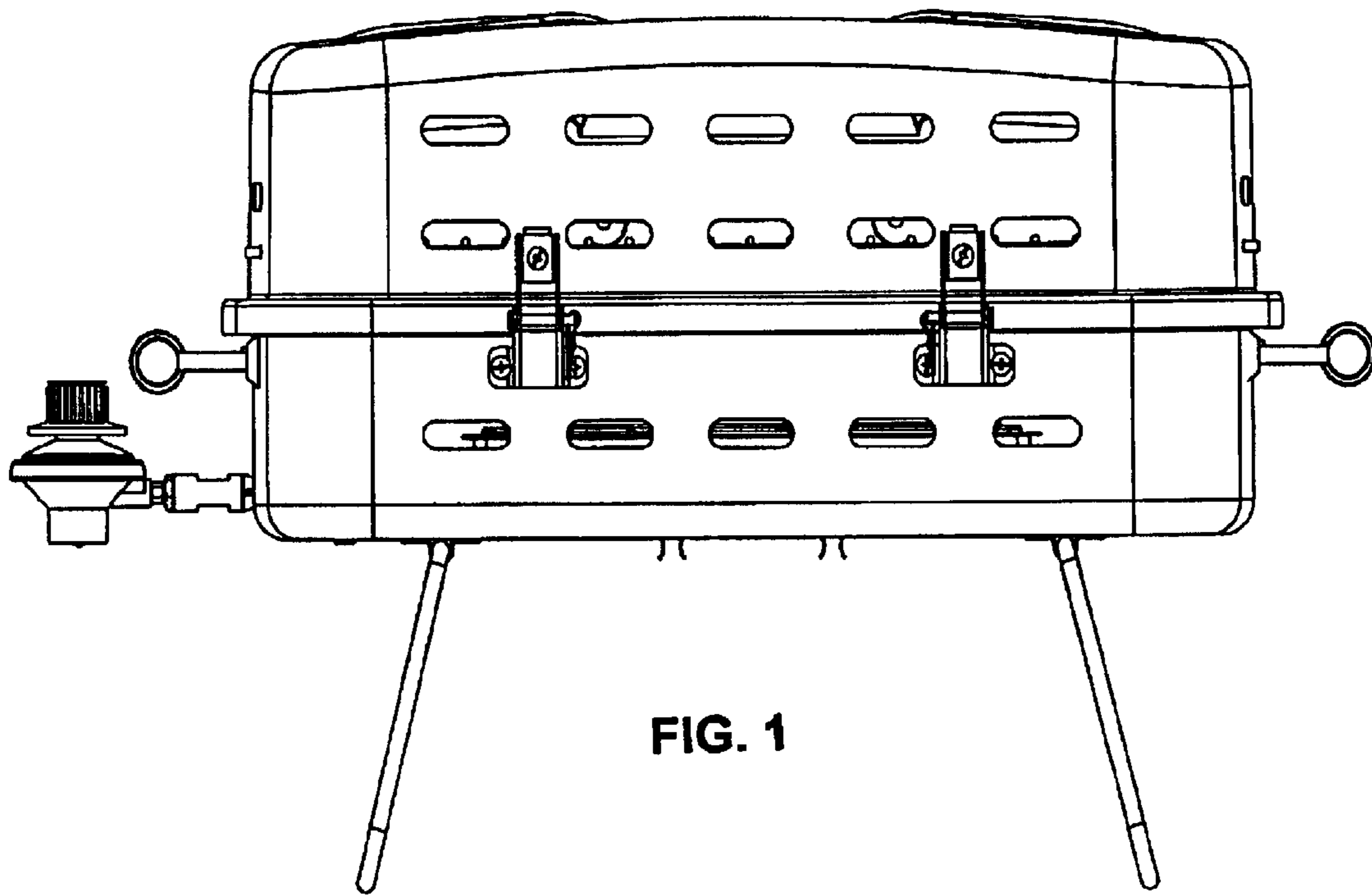


FIG. 1

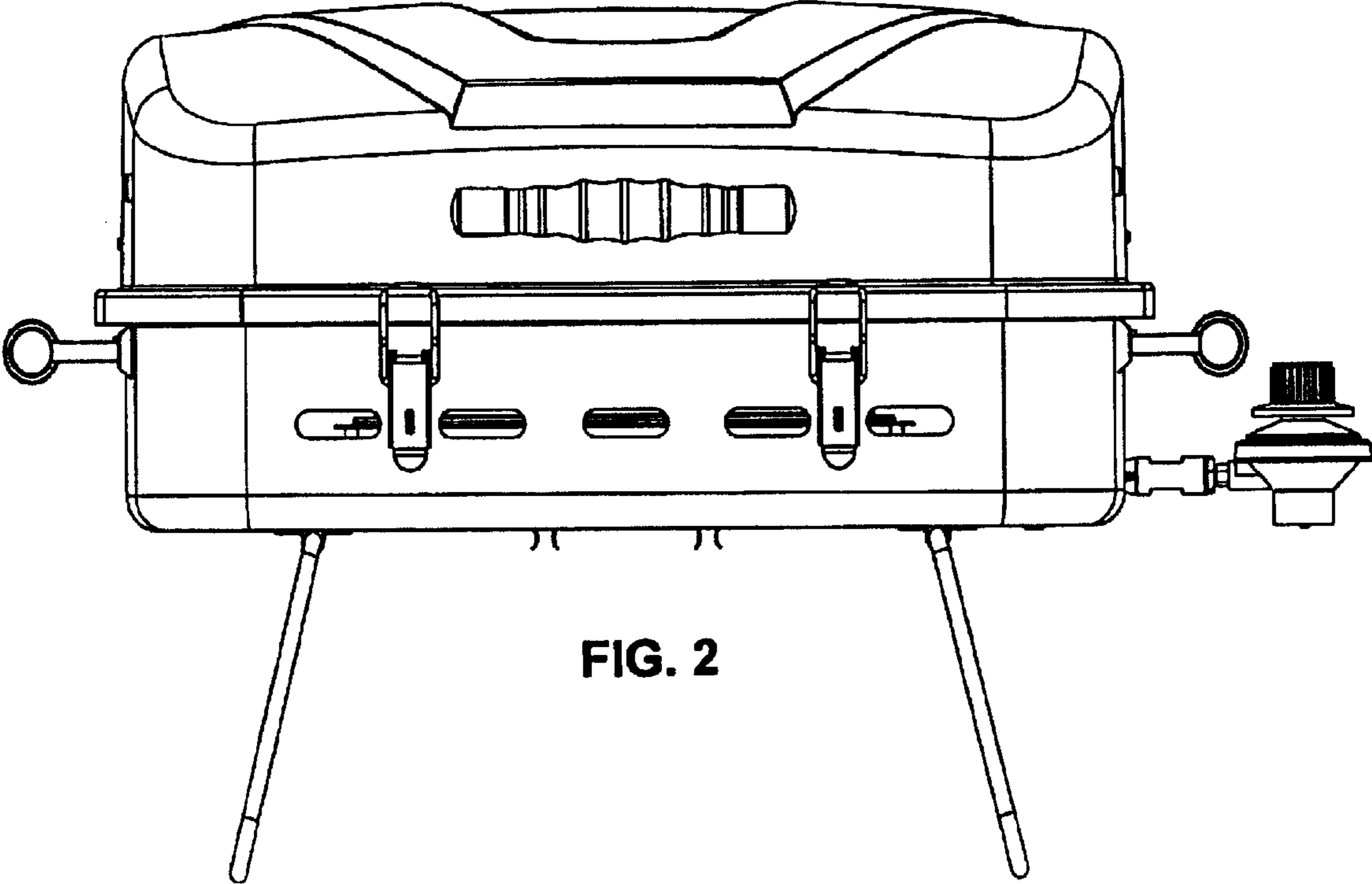


FIG. 2

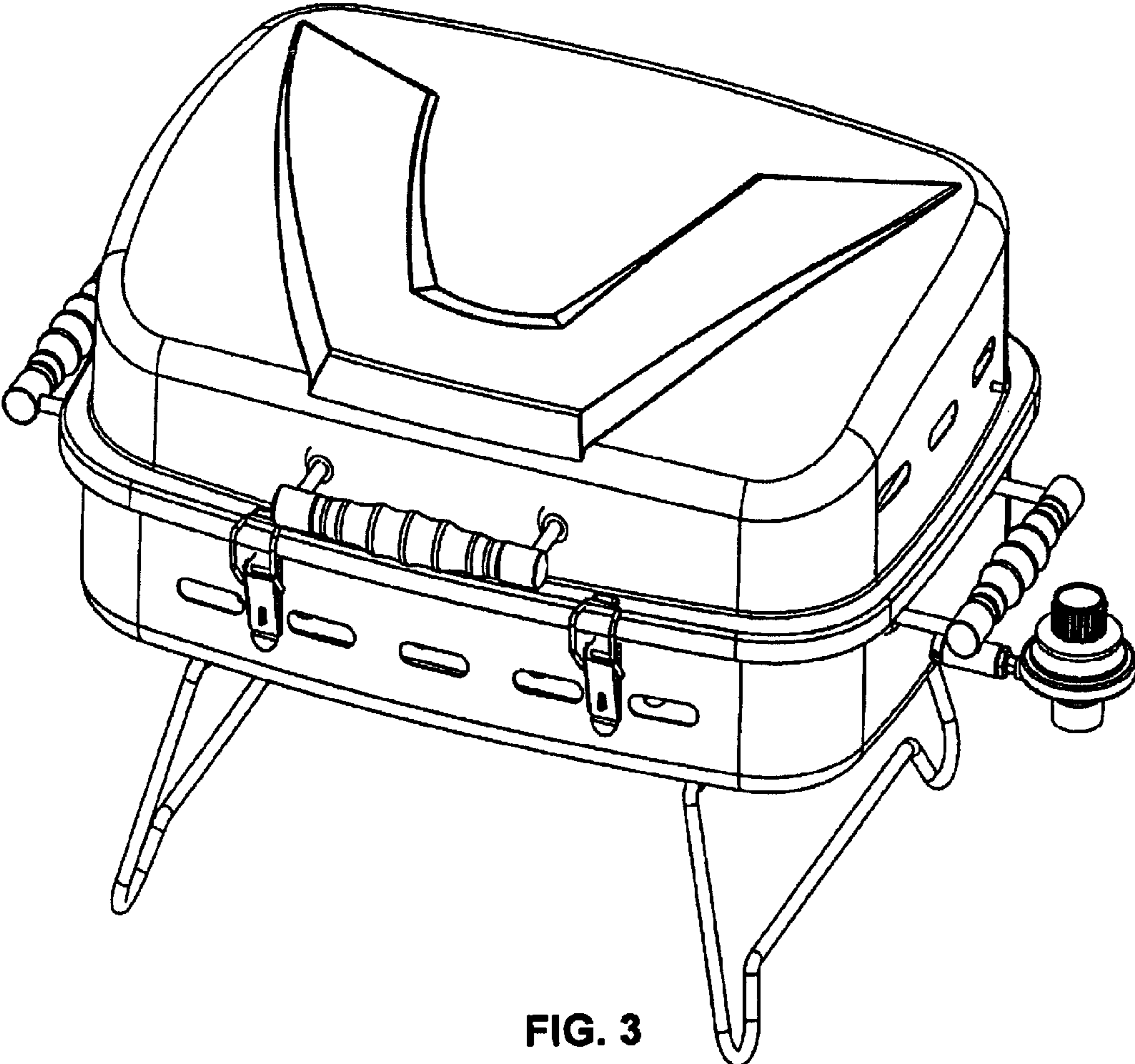


FIG. 3

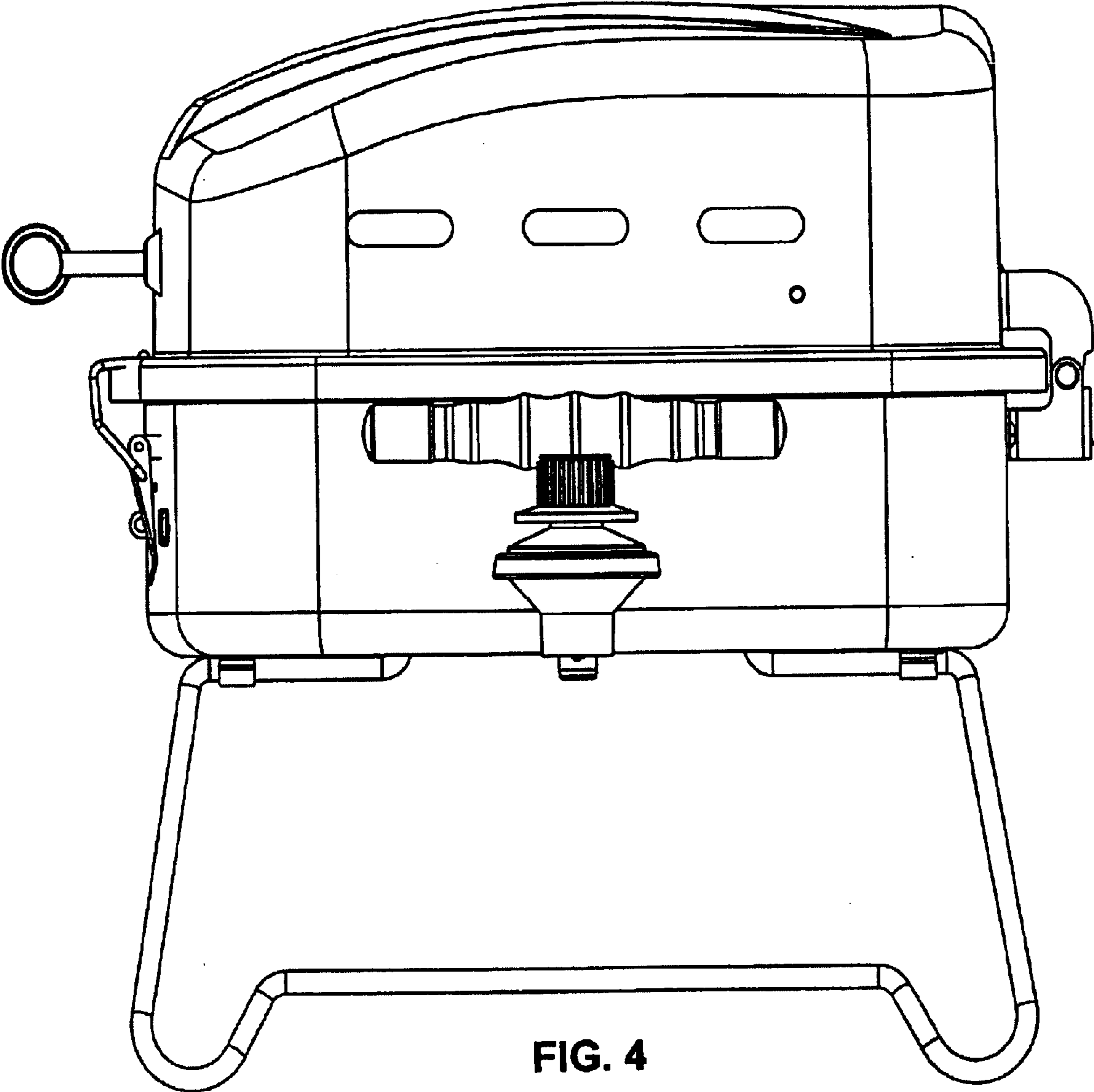


FIG. 4

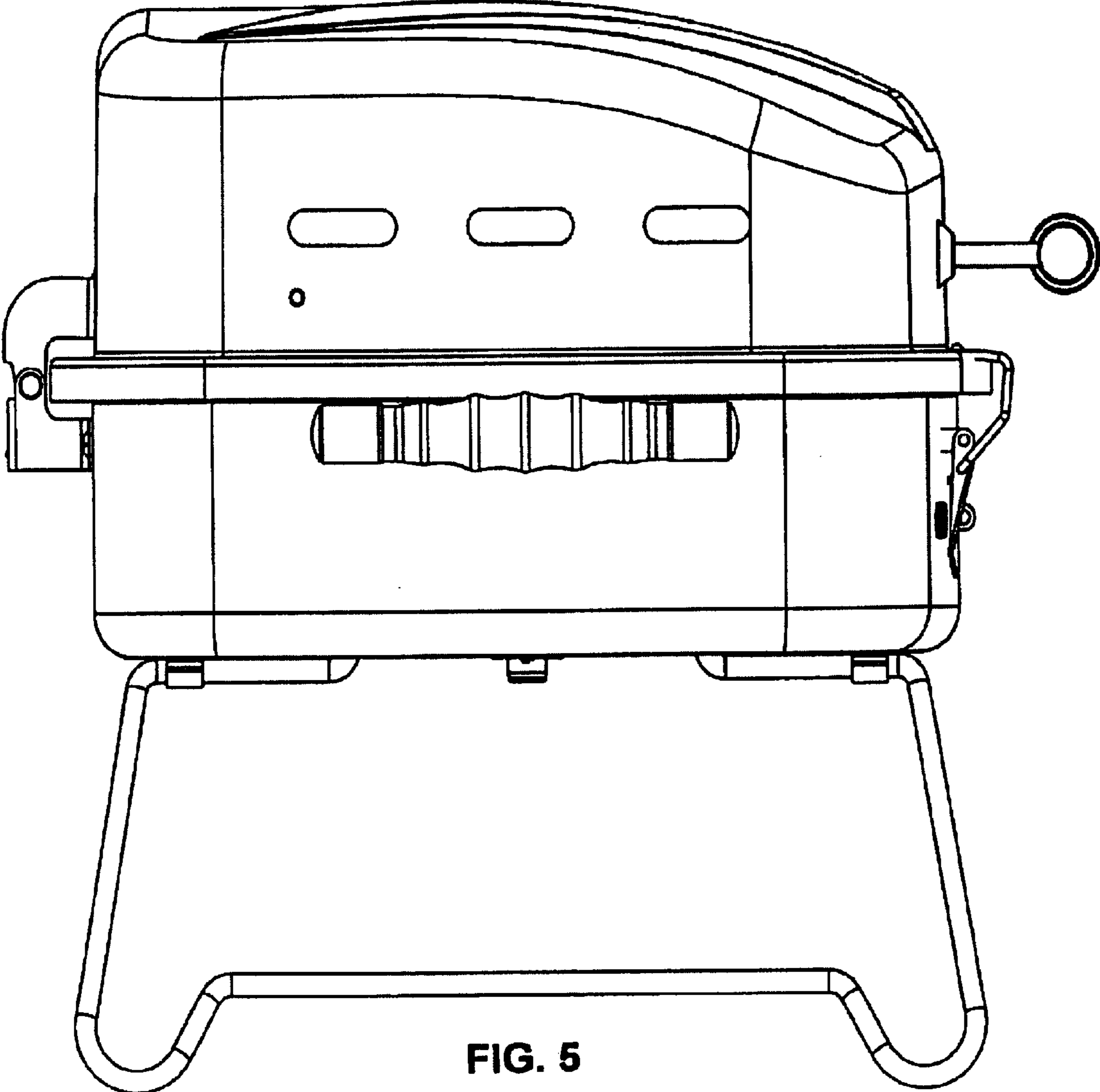


FIG. 5

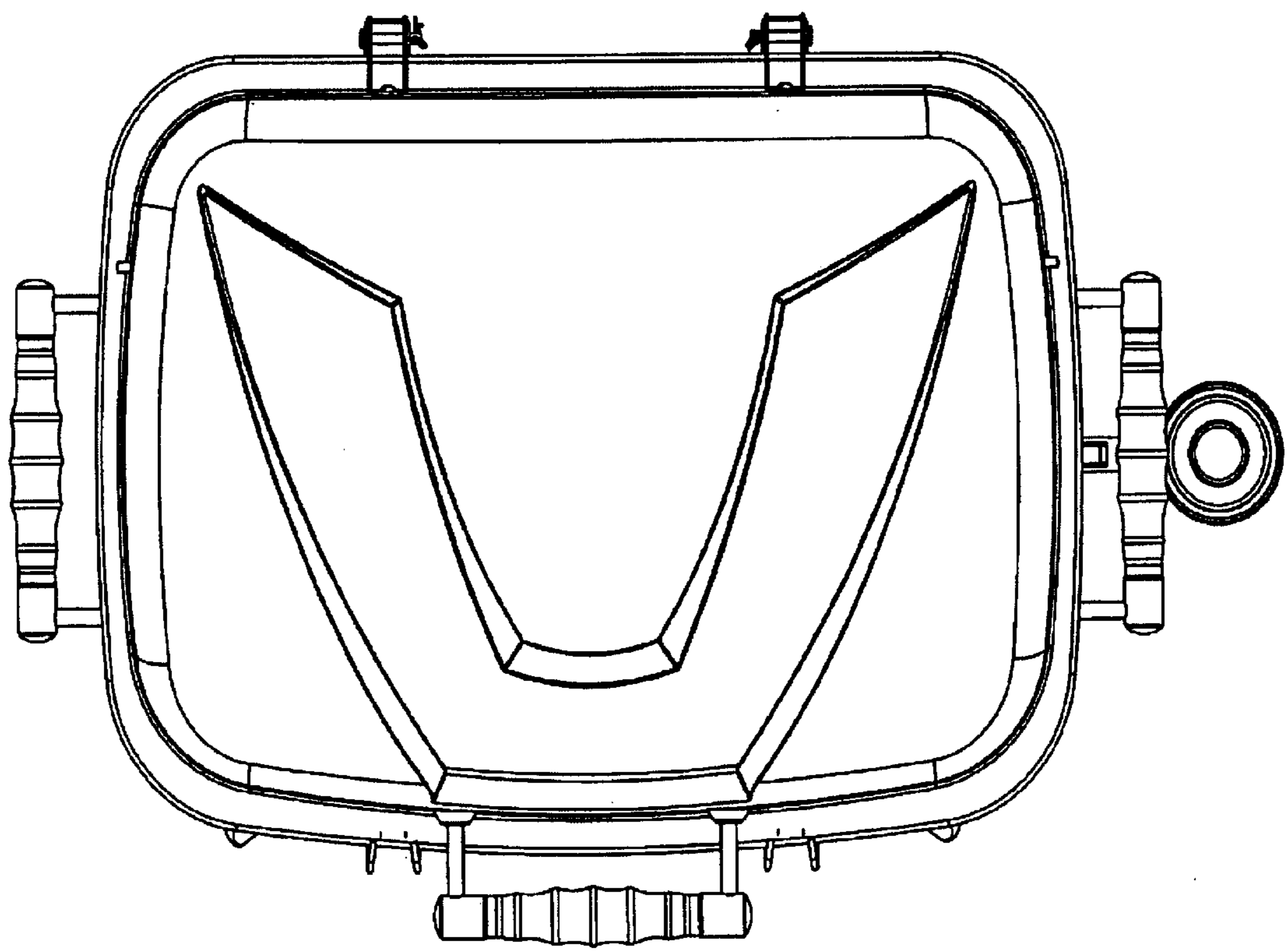


FIG. 6

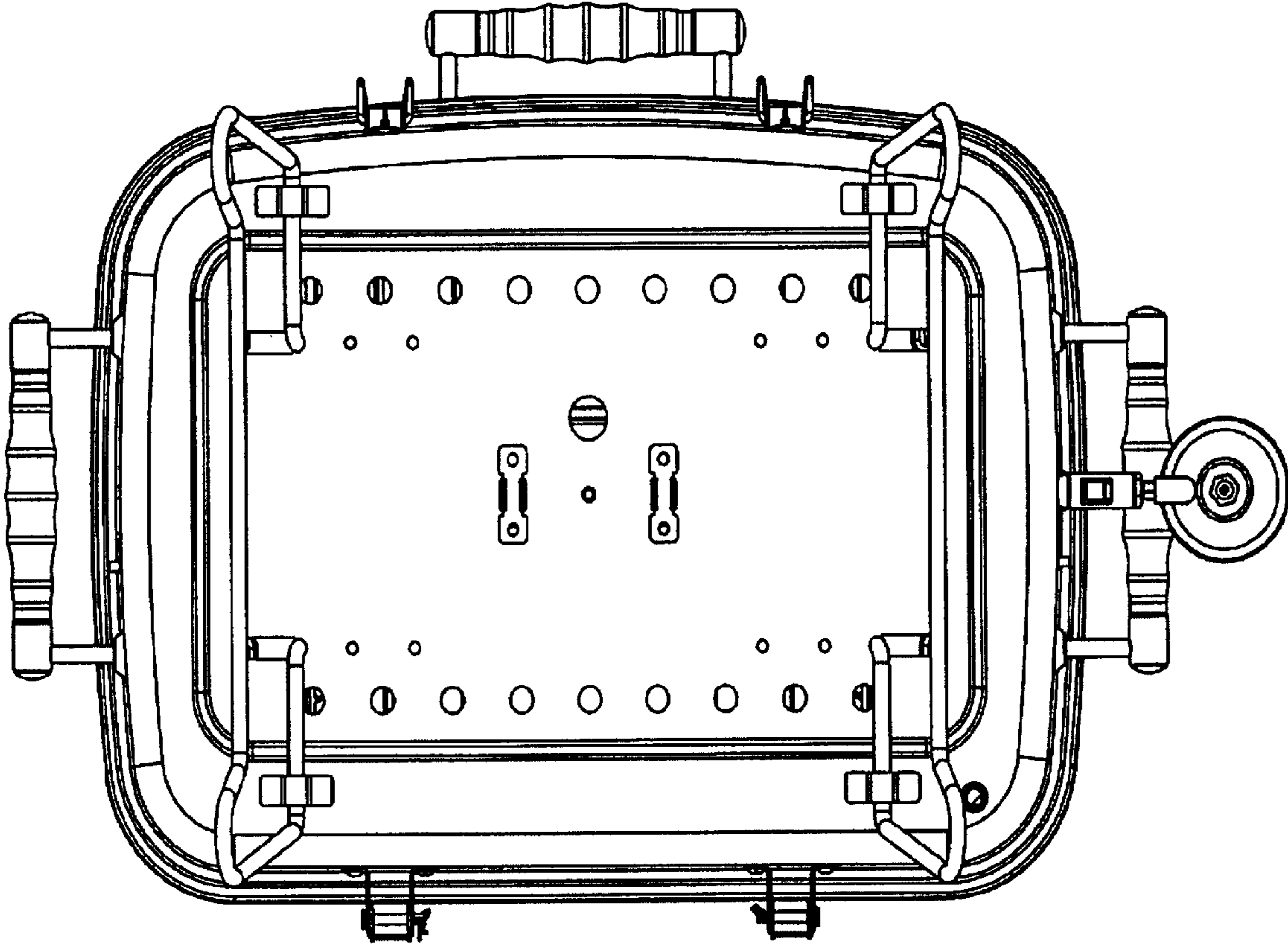


FIG. 7