

US00D498108S

(12) **United States Design Patent**  
**Bridge**

(10) **Patent No.:** **US D498,108 S**

(45) **Date of Patent:** **\*\* Nov. 9, 2004**

(54) **GOLF CART SEAT COVER**

(76) **Inventor:** **Deborah Y. Bridge**, P.O. Box 966,  
Kaneohe, HI (US) 96744

(\*\*) **Term:** **14 Years**

(21) **Appl. No.:** **29/189,567**

(22) **Filed:** **Sep. 9, 2003**

**Related U.S. Application Data**

(62) Division of application No. 29/172,173, filed on Dec. 6,  
2002, now Pat. No. Des. 484,351.

(51) **LOC (7) Cl.** ..... **06-13**

(52) **U.S. Cl.** ..... **D6/611**

(58) **Field of Search** ..... D6/595, 601, 610,  
D6/611; D12/16, 481; 224/274, 275, 484;  
5/652, 653, 654, 655, 922; 280/DIG. 5;  
150/154, 159; 297/223, 224, 225, 226,  
227, 228.1, 219.1, 228.13

(56) **References Cited**

**U.S. PATENT DOCUMENTS**

2,649,900 A \* 8/1953 Pfankuch ..... 5/653

2,744,567 A \* 5/1956 Larkin ..... 297/228.11  
D190,794 S \* 7/1961 Anson ..... D6/601  
D395,023 S \* 6/1998 Hikida ..... D12/16  
5,975,390 A \* 11/1999 Saroli ..... 224/274  
D437,170 S \* 2/2001 Atwell et al. .... D6/611  
6,254,182 B1 7/2001 Townsend  
6,279,993 B1 8/2001 Berthiaume

\* cited by examiner

*Primary Examiner*—Louis S. Zarfes

*Assistant Examiner*—Monica A. Weingart

(74) *Attorney, Agent, or Firm*—Leighton K. Chong;  
Ostrager Chong Flaherty & Broitman

(57) **CLAIM**

The ornamental design for the golf cart seat cover, as shown  
and described.

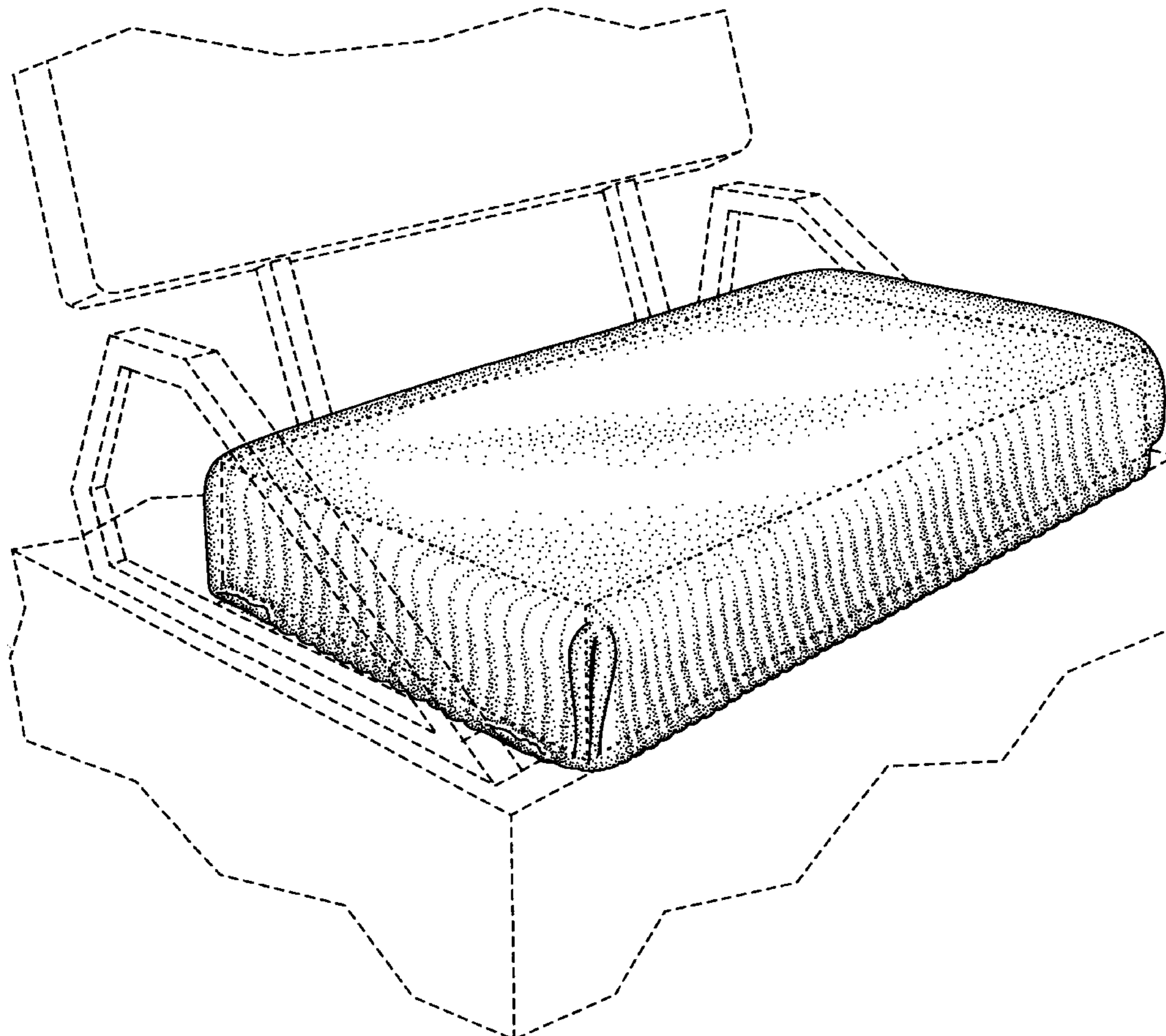
**DESCRIPTION**

FIG. 1 is a top perspective view of a golf seat cover showing  
my new design; and,

FIG. 2 is a bottom perspective view thereof.

The broken line showing of a partial golf cart seat, in FIGS.  
1 and 2, is for illustrative purposes only and forms no part  
of the claimed design.

**1 Claim, 2 Drawing Sheets**



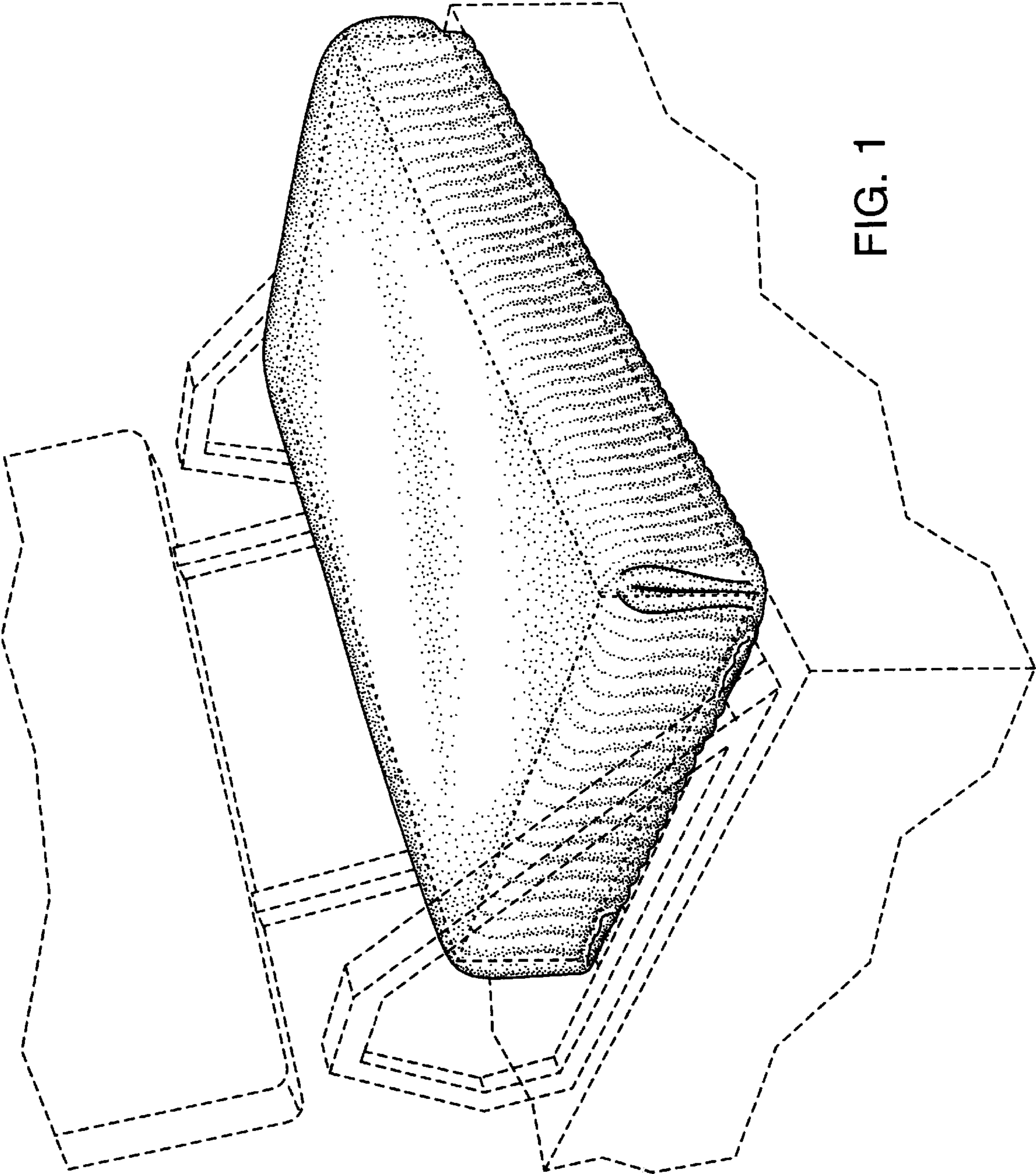


FIG. 1

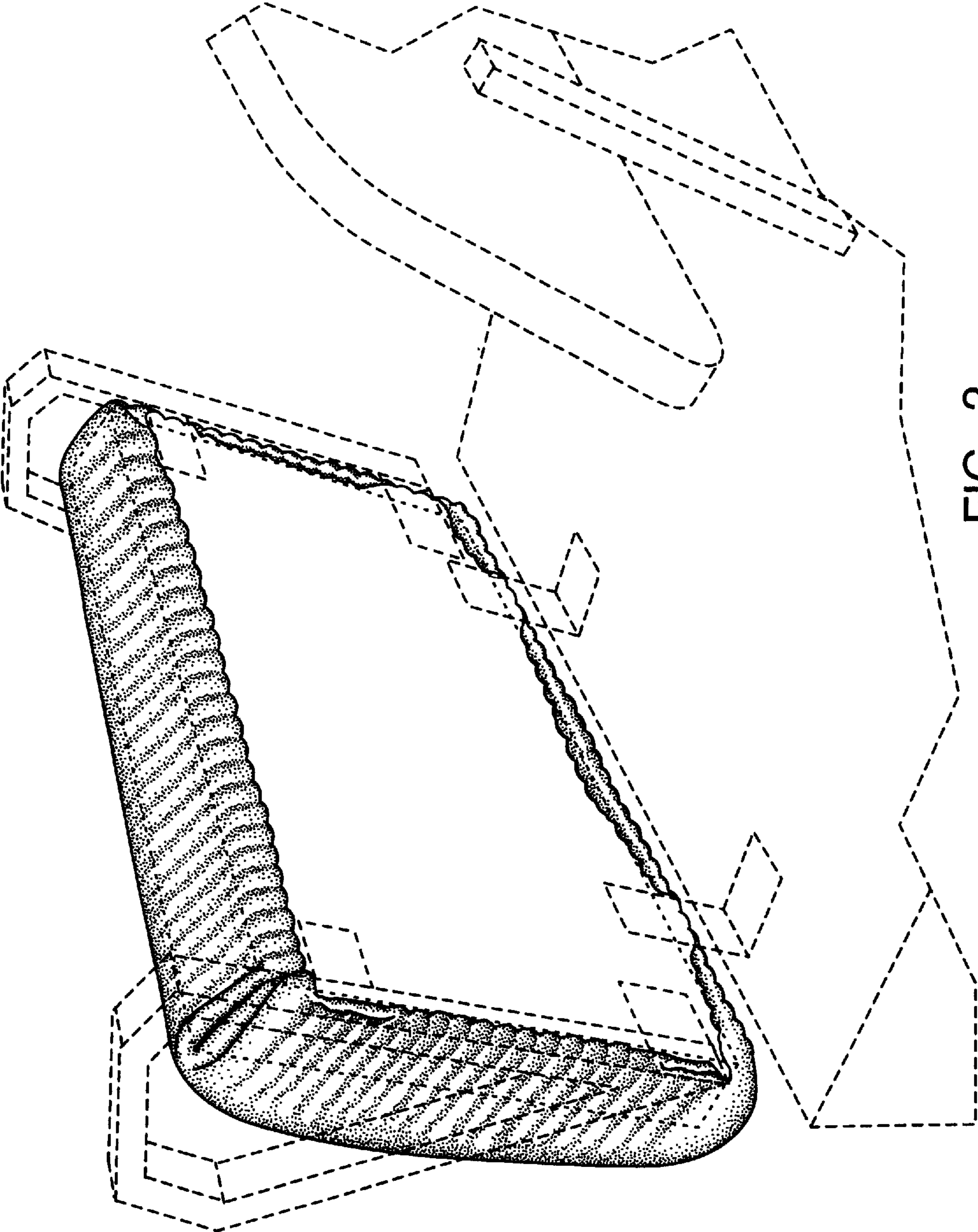


FIG. 2