

US00D498102S

(12) **United States Design Patent**
Snell

(10) **Patent No.:** **US D498,102 S**

(45) **Date of Patent:** **** Nov. 9, 2004**

(54) **SHOWER CADDY**

(75) **Inventor:** **Russell Benton Snell**, Bentleyville, OH (US)

(73) **Assignee:** **InterDesign, Inc.**, Solon, OH (US)

(**) **Term:** **14 Years**

(21) **Appl. No.:** **29/196,180**

(22) **Filed:** **Dec. 23, 2003**

(51) **LOC (7) Cl.** **23-02**

(52) **U.S. Cl.** **D6/525**

(58) **Field of Search** D6/524, 525, 566,
D6/536, 540; 211/13.1, 74, 71.01, 86.01,
75, 88.01, 90.01, 90.03, 106, 119, 126.1,
133.5, 181.1, 134

(56) **References Cited**

U.S. PATENT DOCUMENTS

| | | | | | |
|------------|---|---------|---------------|-------|--------|
| D288,510 S | * | 3/1987 | Shames et al. | | D6/525 |
| D409,424 S | * | 5/1999 | Hofman et al. | | D6/525 |
| D415,916 S | * | 11/1999 | Hofman et al. | | D6/525 |
| D417,990 S | * | 12/1999 | Yemini | | D6/525 |

| | | | | | |
|------------|---|--------|--------------|-------|--------|
| D446,670 S | * | 8/2001 | Emery et al. | | D6/525 |
| D473,086 S | * | 4/2003 | Harwanko | | D6/525 |
| D473,411 S | * | 4/2003 | Walker | | D6/525 |
| D477,947 S | * | 8/2003 | Snell | | D6/525 |
| D479,074 S | * | 9/2003 | Snell | | D6/525 |

* cited by examiner

Primary Examiner—Brian N Vinson

(74) *Attorney, Agent, or Firm*—D. Peter Hochberg; Sean Mellino; Katherine R. Vieyra

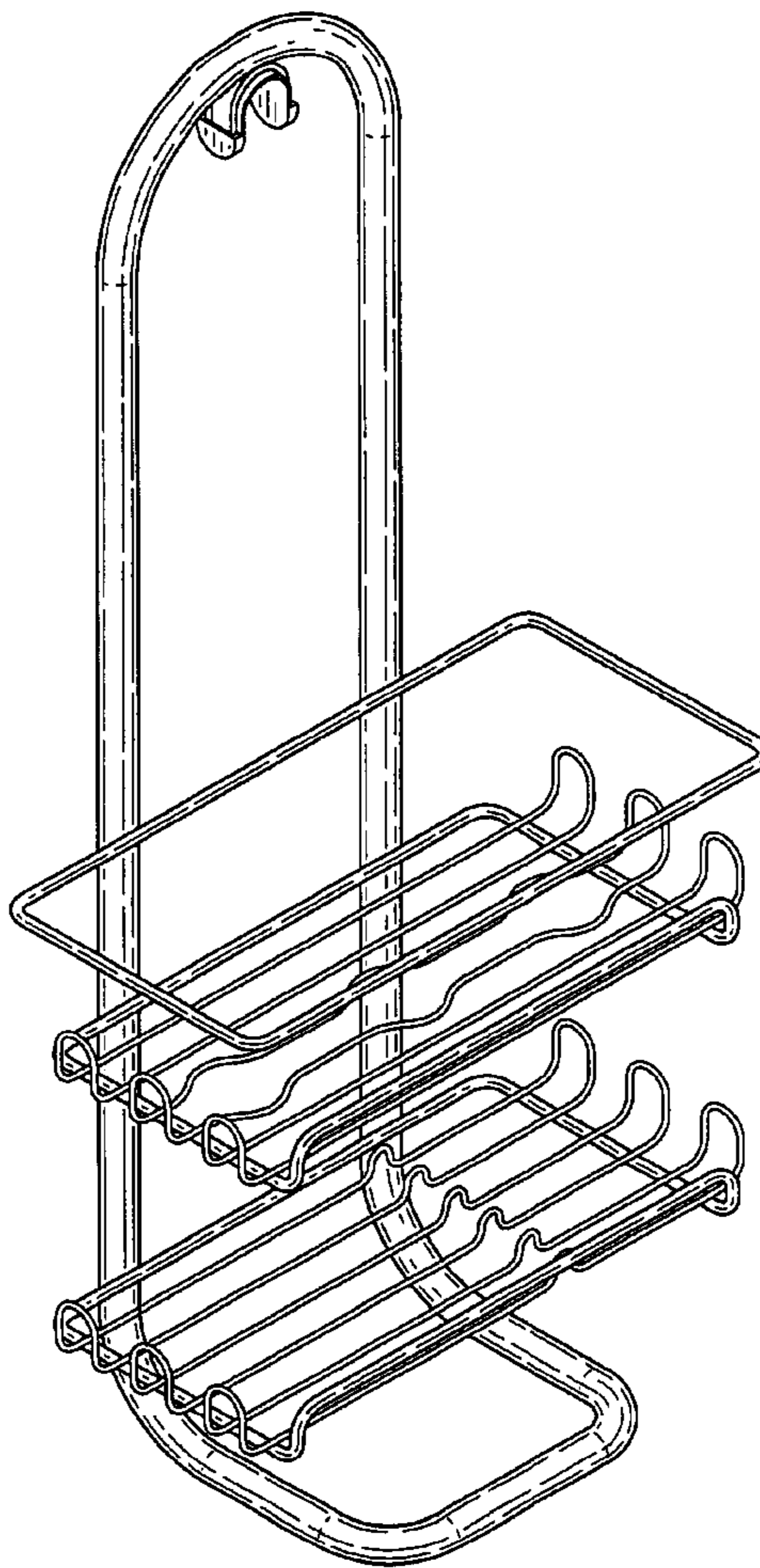
(57) **CLAIM**

The ornamental design for a shower caddy, as shown and described.

DESCRIPTION

FIG. 1 is a perspective view of a shower caddy embodying this invention;
FIG. 2 is a top view of the caddy shown in FIG. 1;
FIG. 3 is a front view of the caddy shown in FIG. 1;
FIG. 4 is a right side view of the caddy shown in FIG. 1;
FIG. 5 is a rear view of the caddy shown in FIG. 1.
FIG. 6 is a left side view of the caddy shown in FIG. 1; and,
FIG. 7 is a bottom view of the caddy shown in FIG. 1.

1 Claim, 3 Drawing Sheets



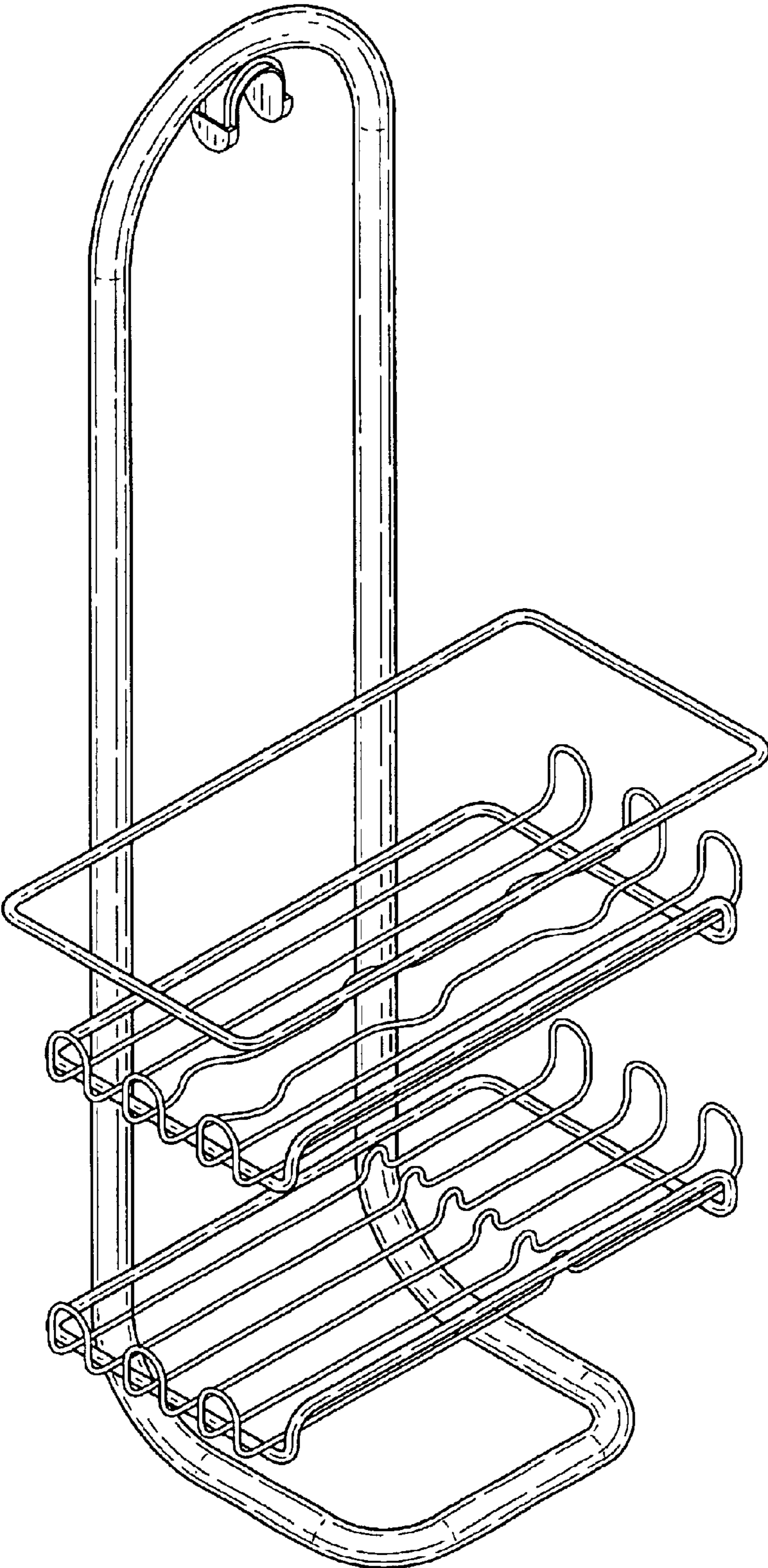


FIG-1

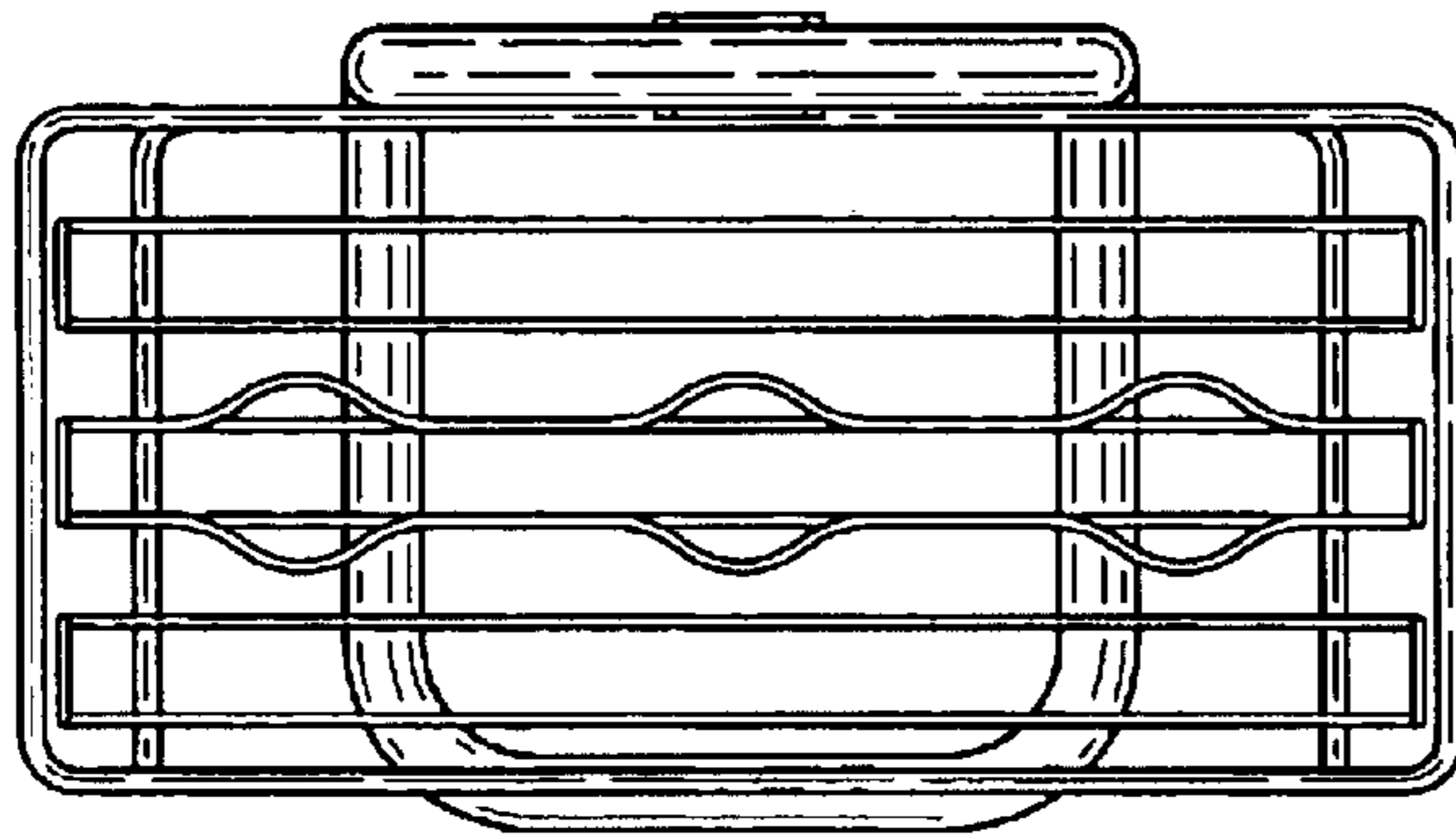


FIG-2

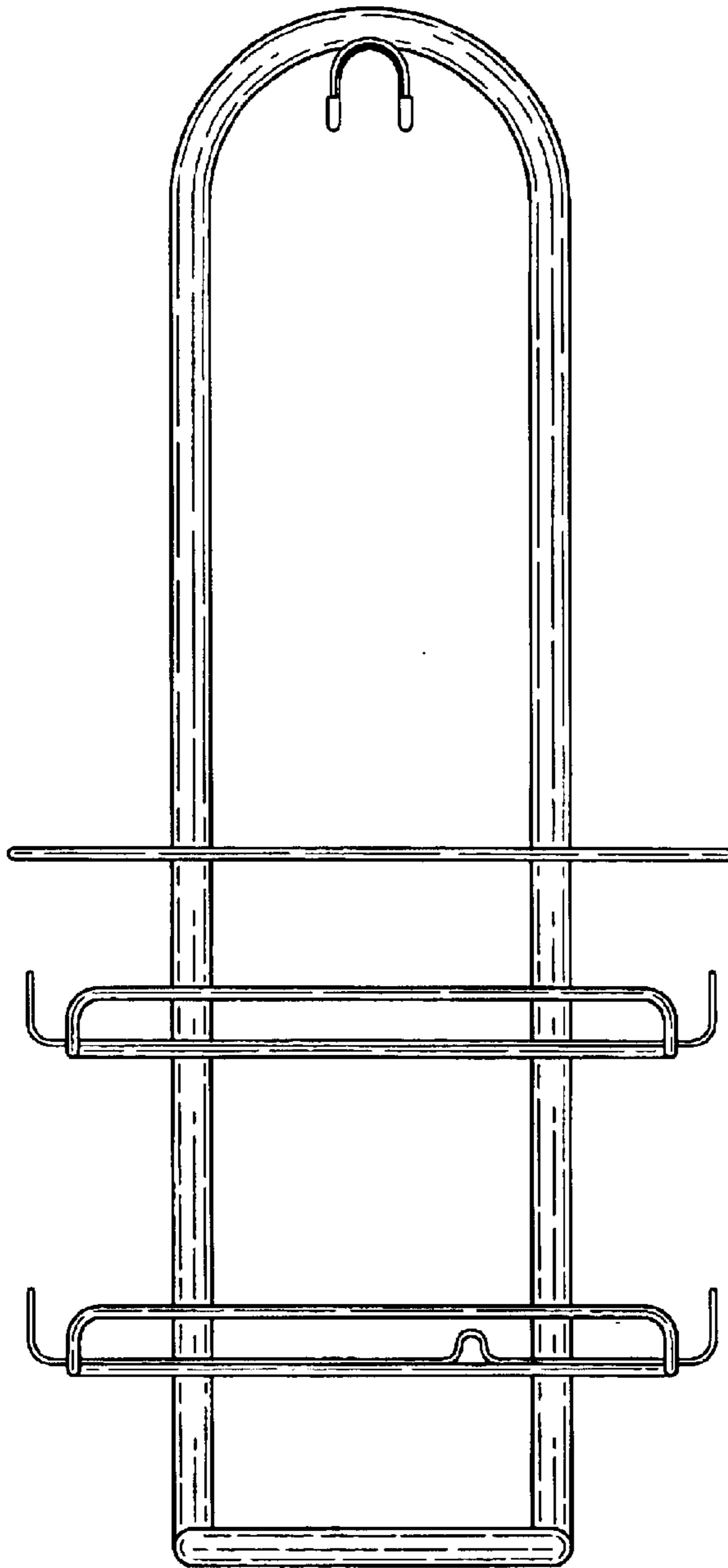


FIG-3

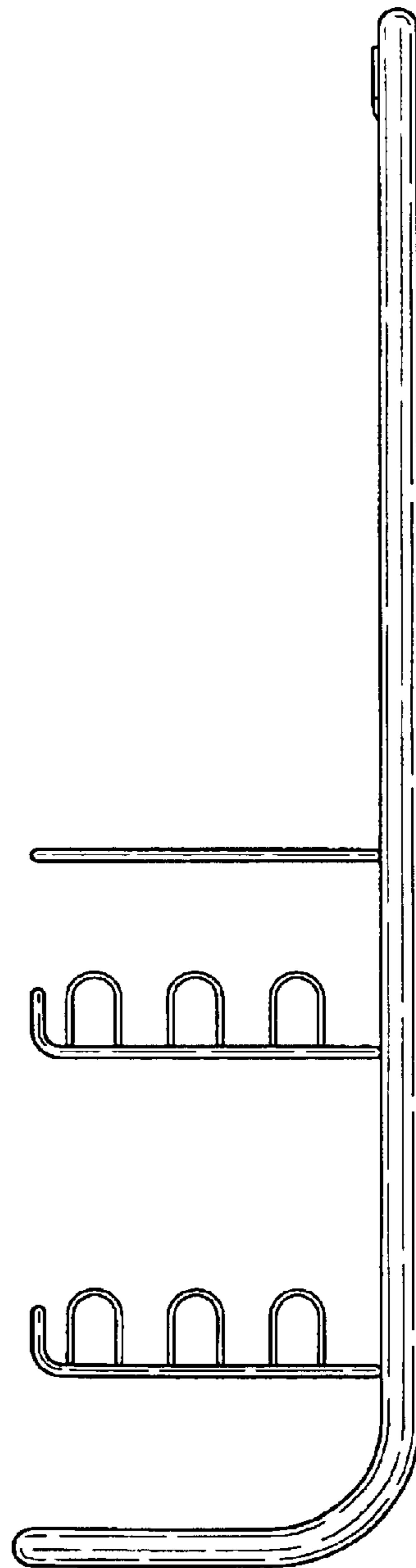


FIG-4

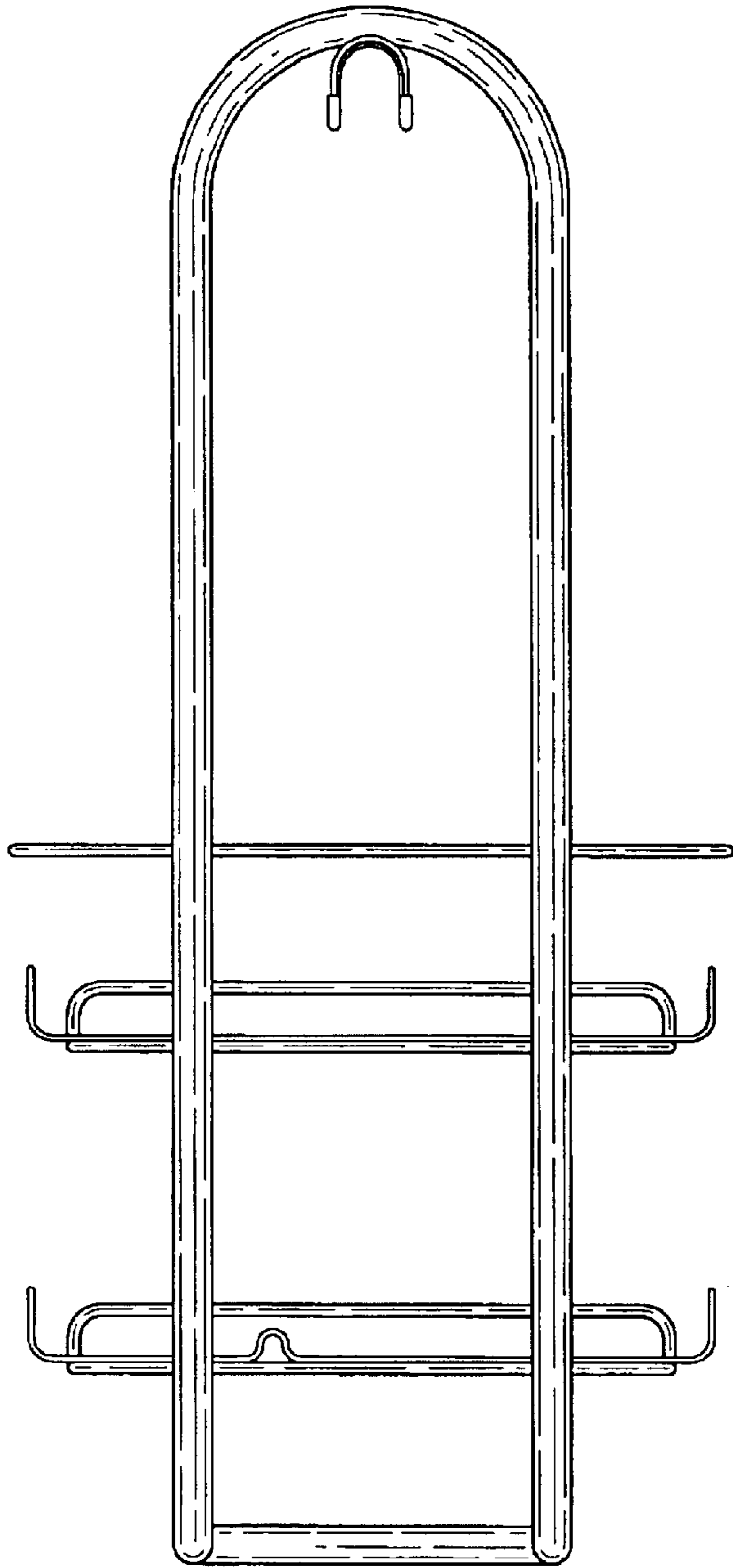


FIG-5

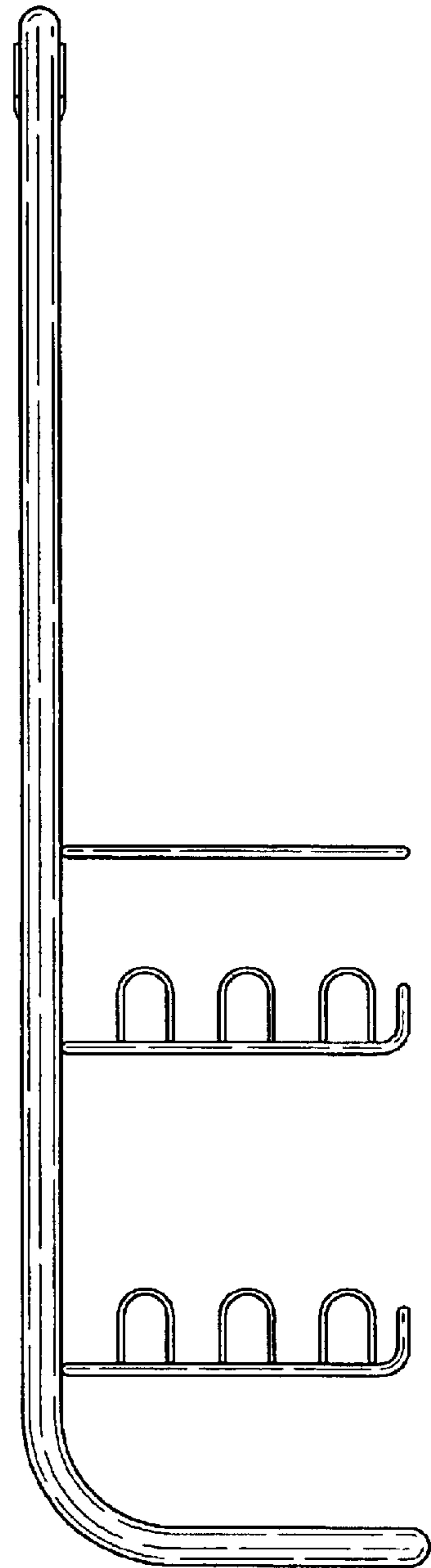


FIG-6

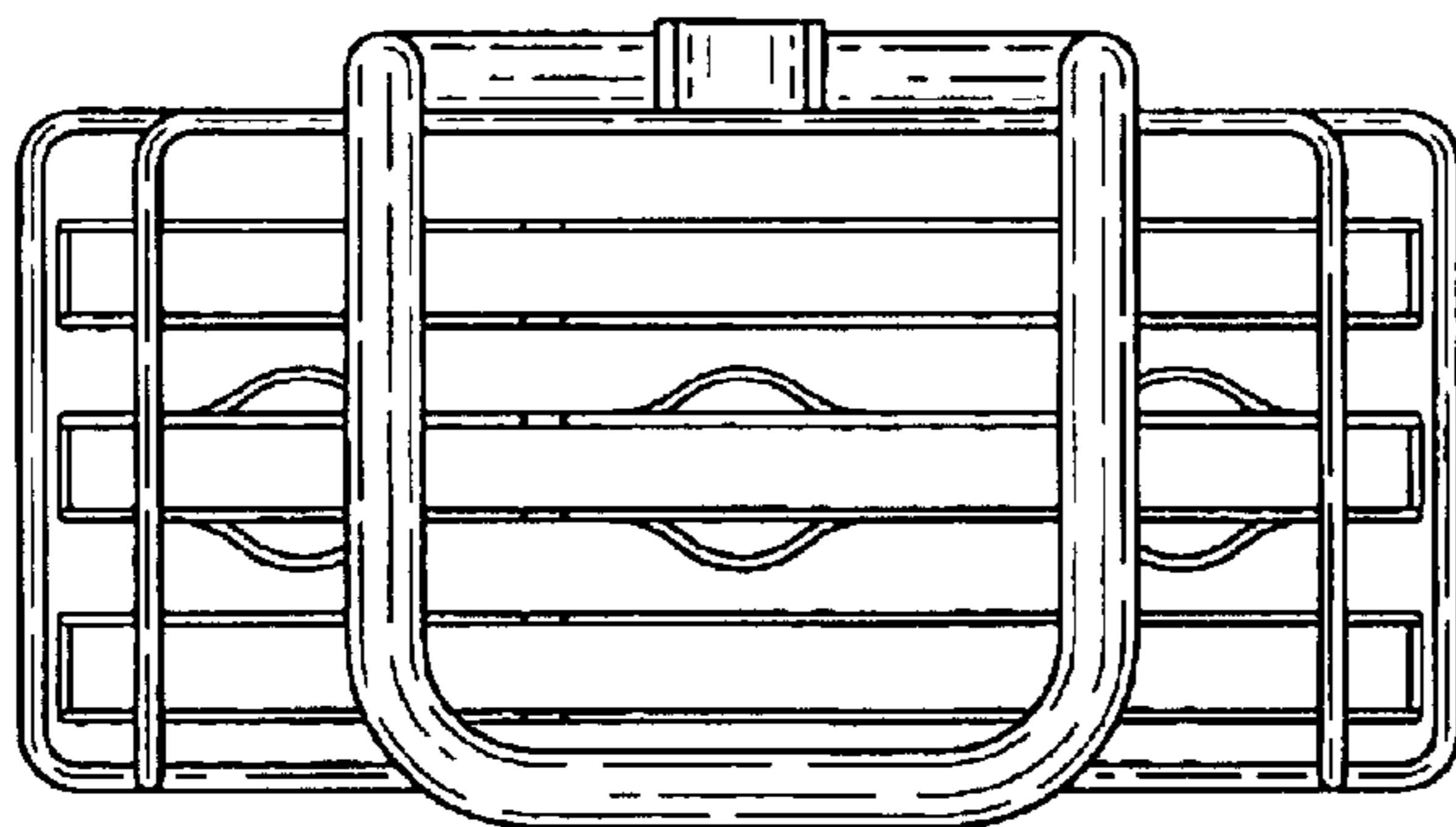


FIG-7