

US00D498101S

(12) **United States Design Patent**
Wu

(10) **Patent No.:** **US D498,101 S**

(45) **Date of Patent:** **** Nov. 9, 2004**

(54) **TOWEL HANGER BASE**

D478,755 S * 8/2003 Moore D6/524
D482,917 S * 12/2003 Chen D6/524

(75) **Inventor:** **Shin-Wang Wu, Taipei (TW)**

* cited by examiner

(73) **Assignee:** **Penta Hardware Co., Ltd., Taipei (TW)**

Primary Examiner—Brian N Vinson

(**) **Term:** **14 Years**

(21) **Appl. No.:** **29/202,620**

(22) **Filed:** **Apr. 2, 2004**

(57) **CLAIM**

The ornamental design for towel hanger base, as shown and described.

(51) **LOC (7) Cl.** **23-02**

(52) **U.S. Cl.** **D6/524**

(58) **Field of Search** D6/546–550, 518–519,
D6/522–524; D8/300, 303, 315–321, 354,
363, 373, 380; 108/28–29; 211/13.1, 16,
60.1, 86.01, 87.01, 88.01, 88.04, 100, 105.1–105.2,
123, 126.1, 133.6, 134, 181.1, 182; 248/175,
176.1, 200, 251, 302, 309.1; 16/110.1,
412, 415; 242/570, 590, 595–598; 206/389,
557

DESCRIPTION

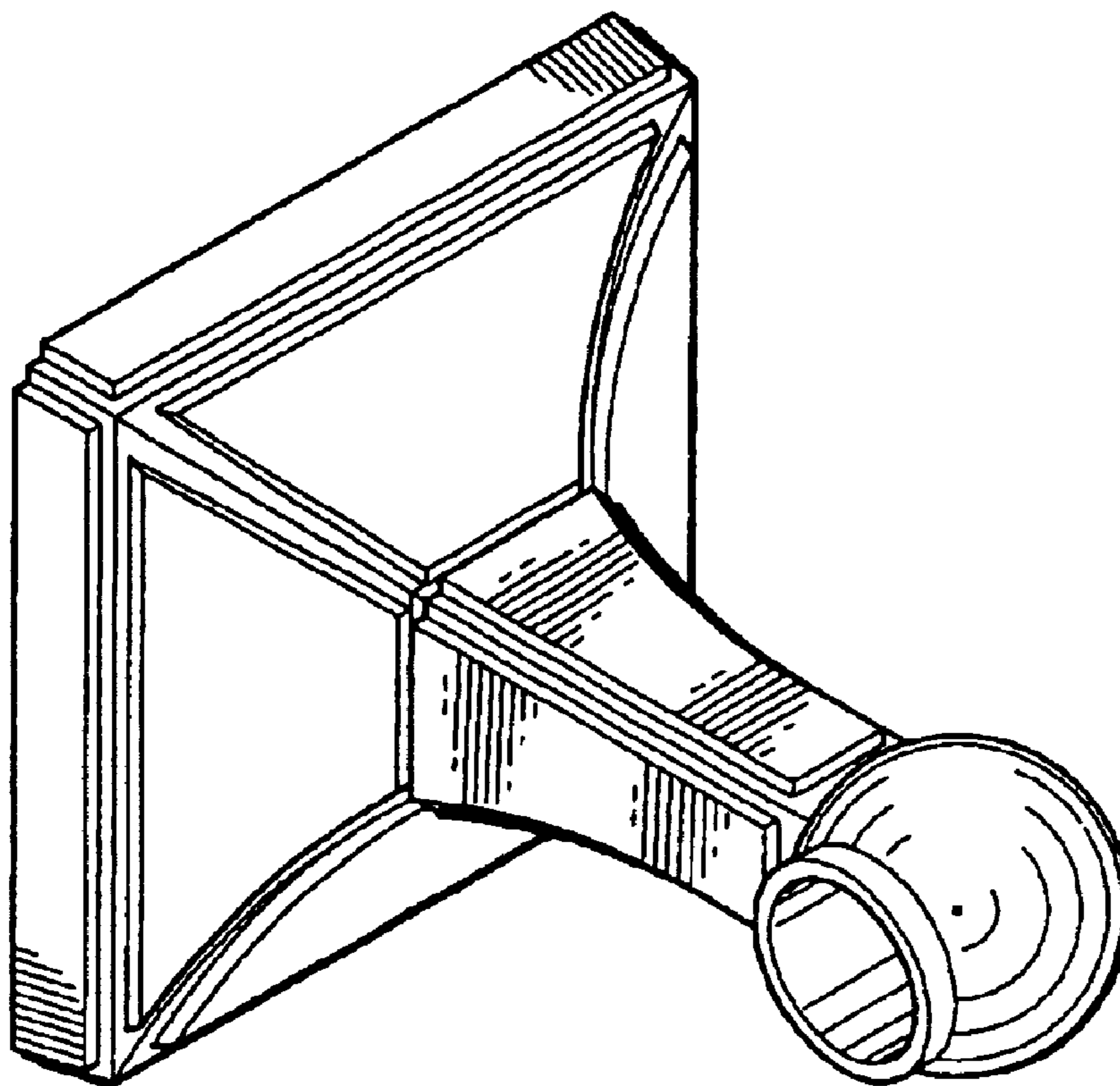
FIG. 1 is a perspective view thereof;
FIG. 2 is a front view thereof;
FIG. 3 is a back view thereof;
FIG. 4 is a left side view thereof;
FIG. 5 is a right side view thereof;
FIG. 6 is a top view thereof; and,
FIG. 7 is a bottom view thereof.

(56) **References Cited**

U.S. PATENT DOCUMENTS

D476,181 S * 6/2003 Yeh D6/524

1 Claim, 4 Drawing Sheets



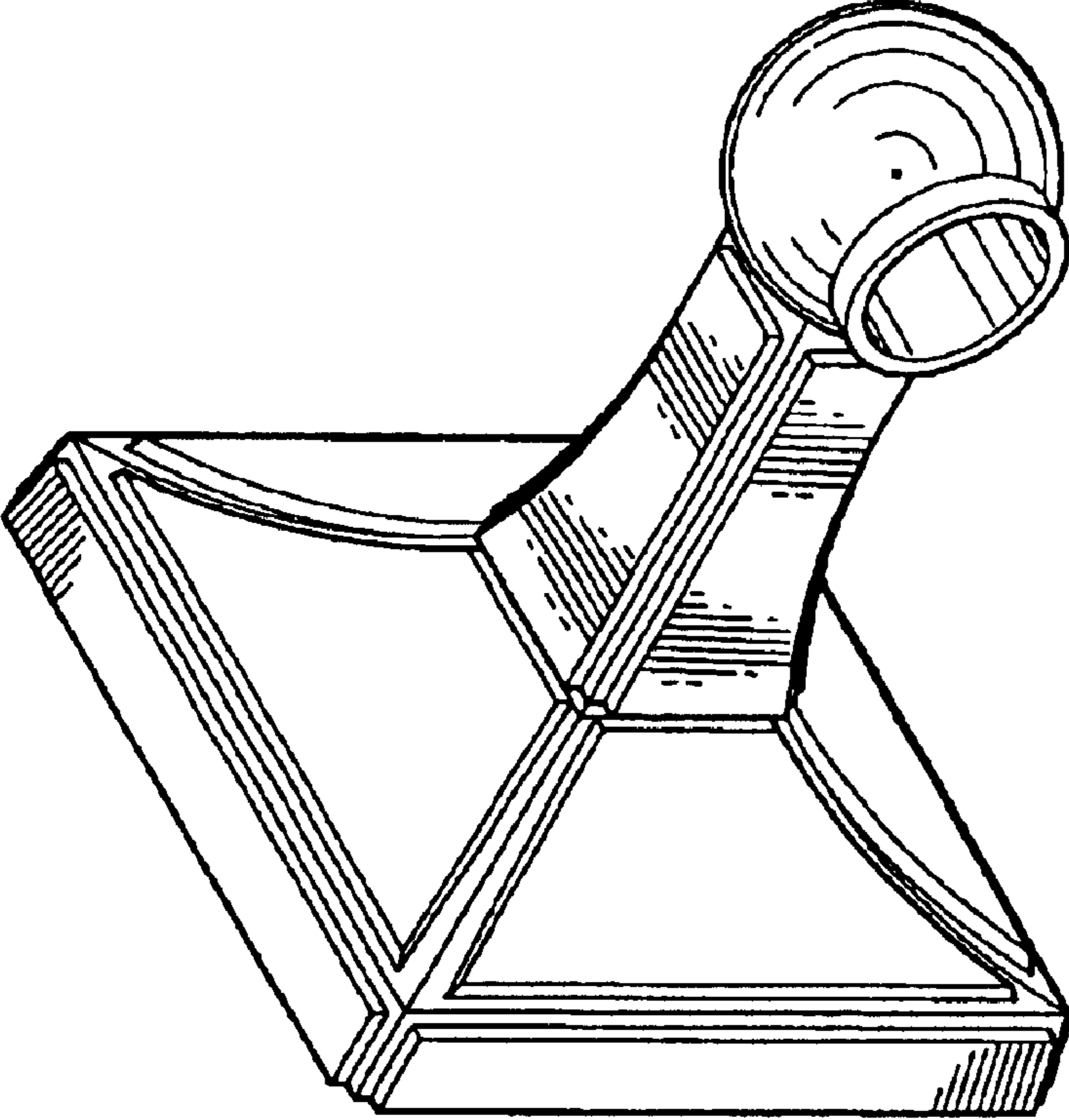


Fig. 1

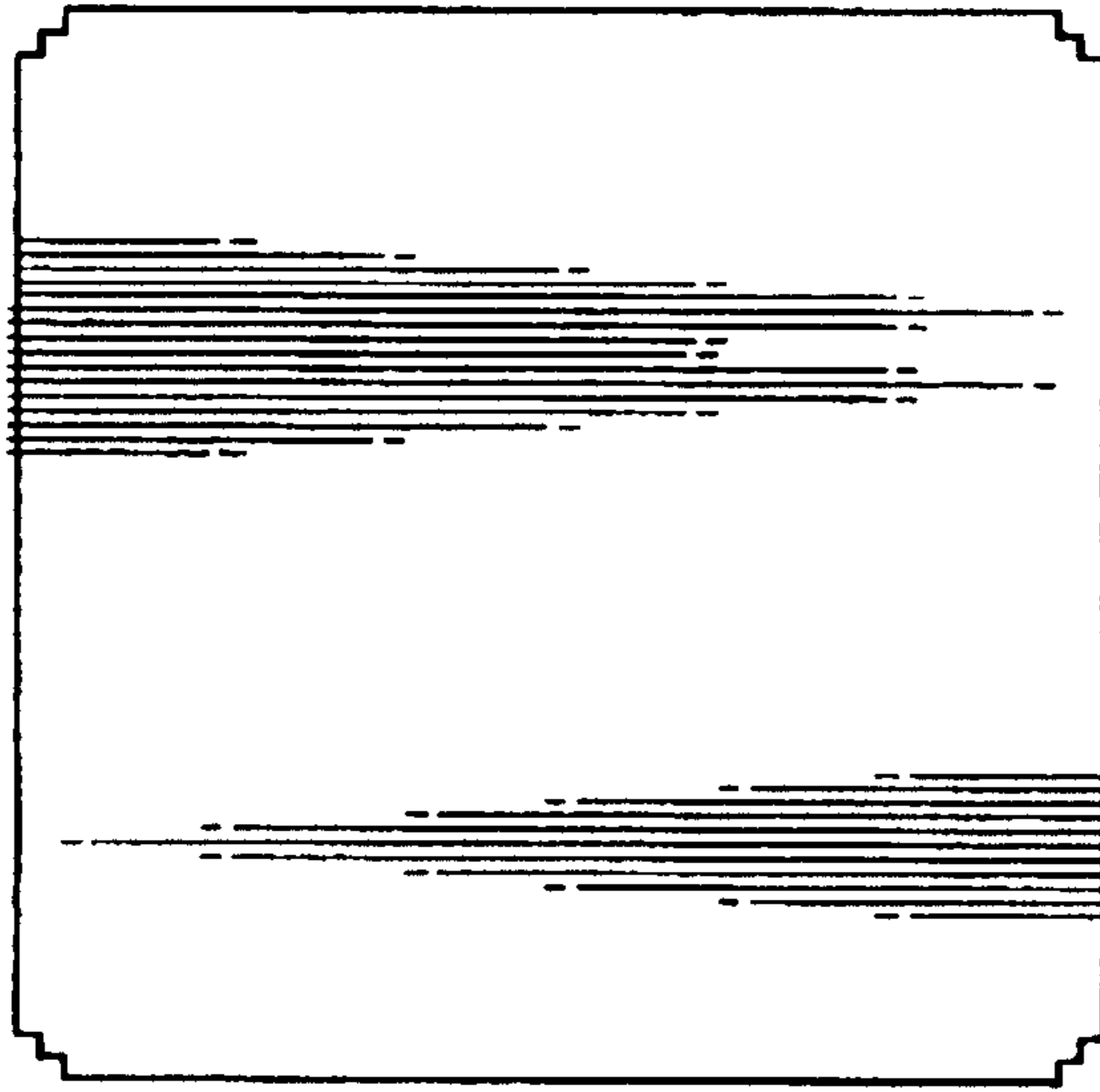


Fig. 3

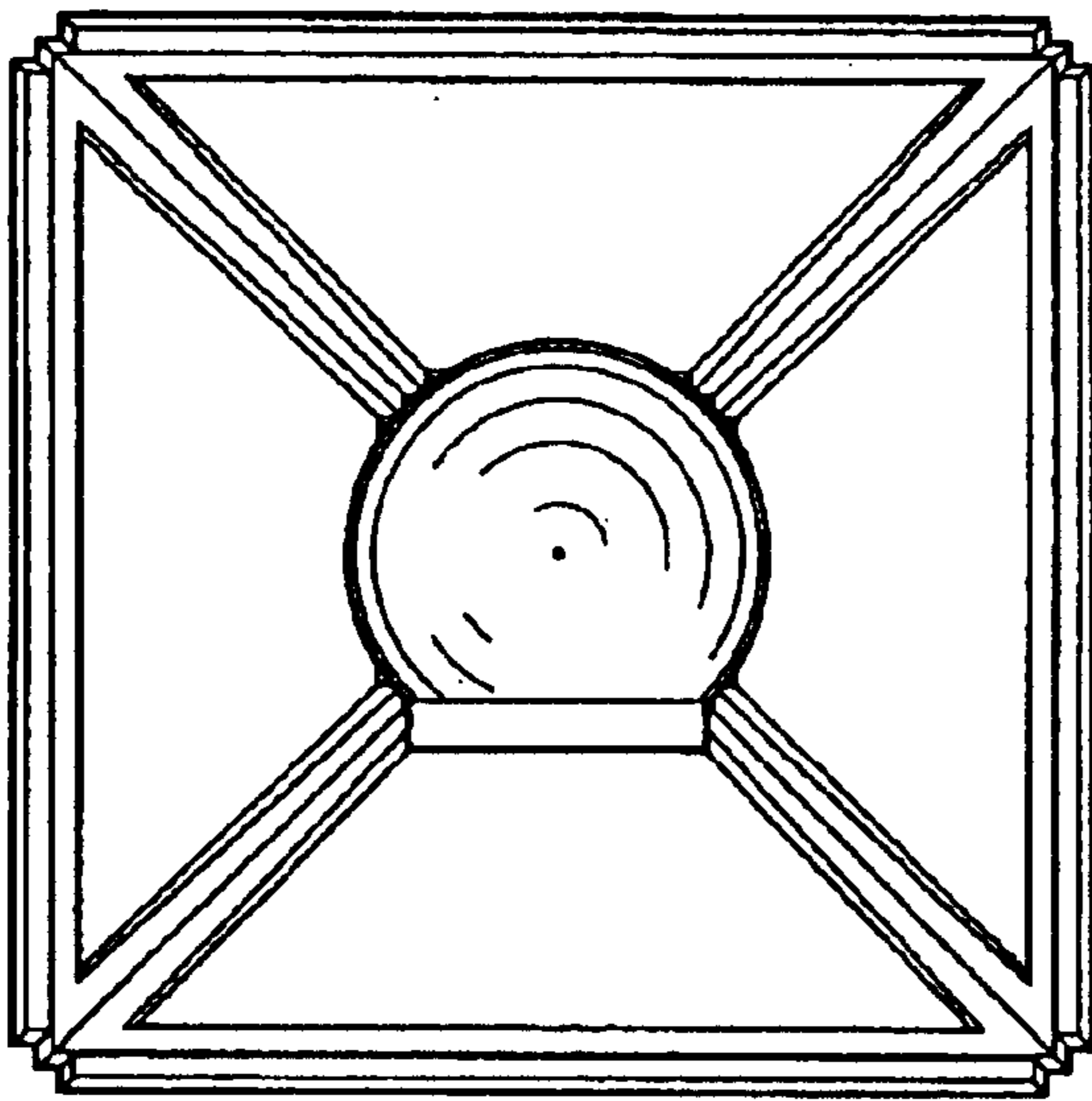


Fig. 2

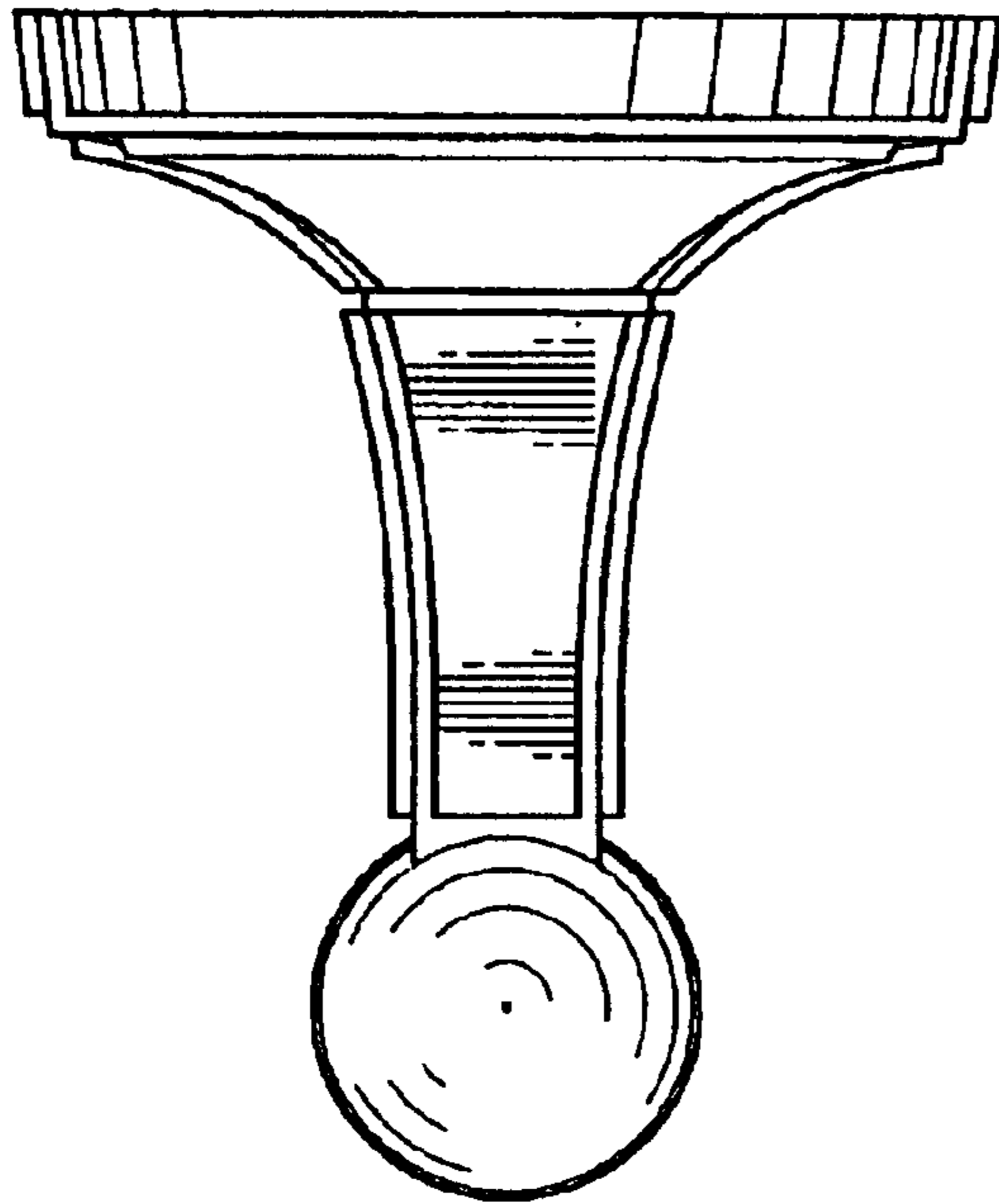


Fig. 5

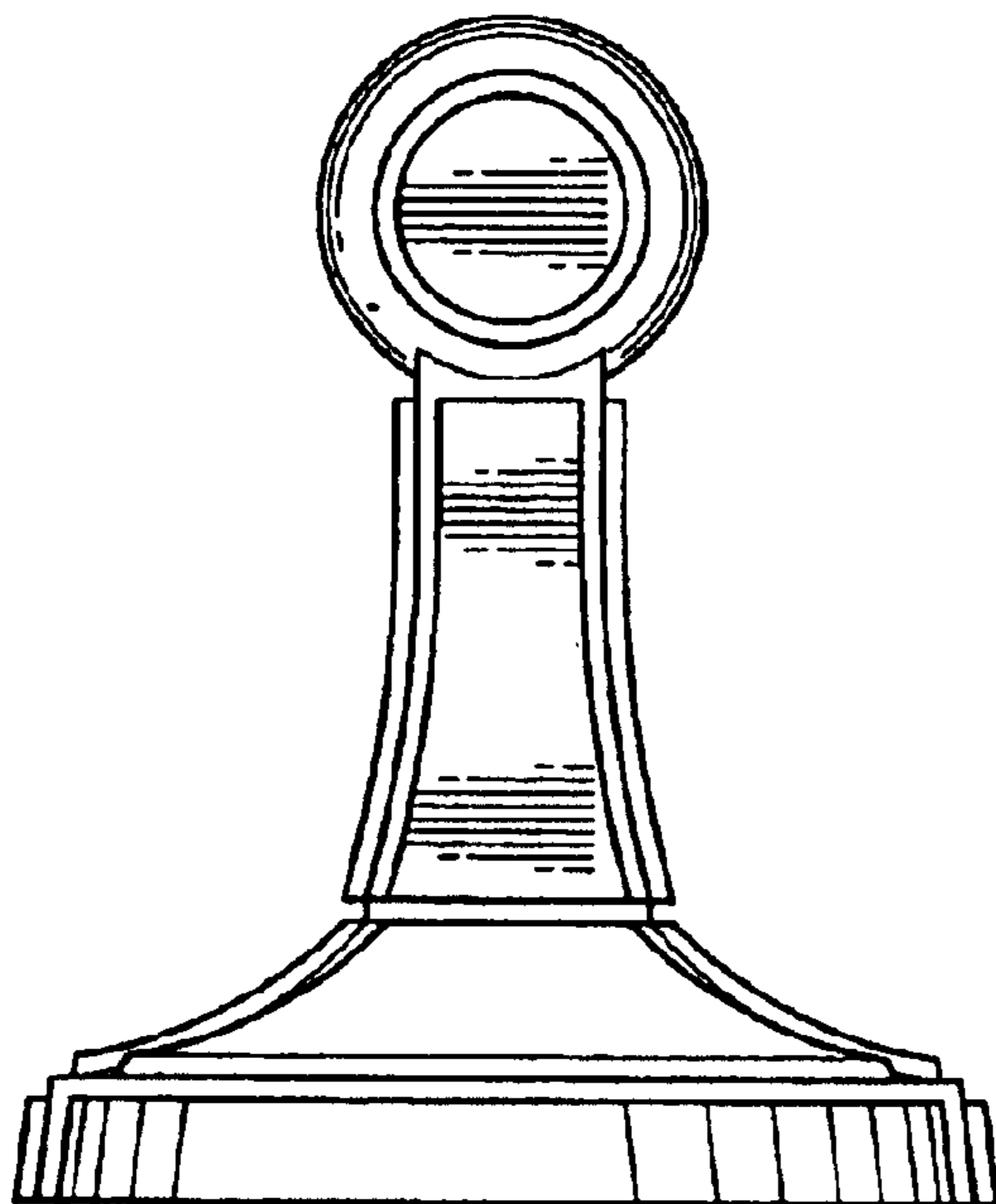


Fig. 4

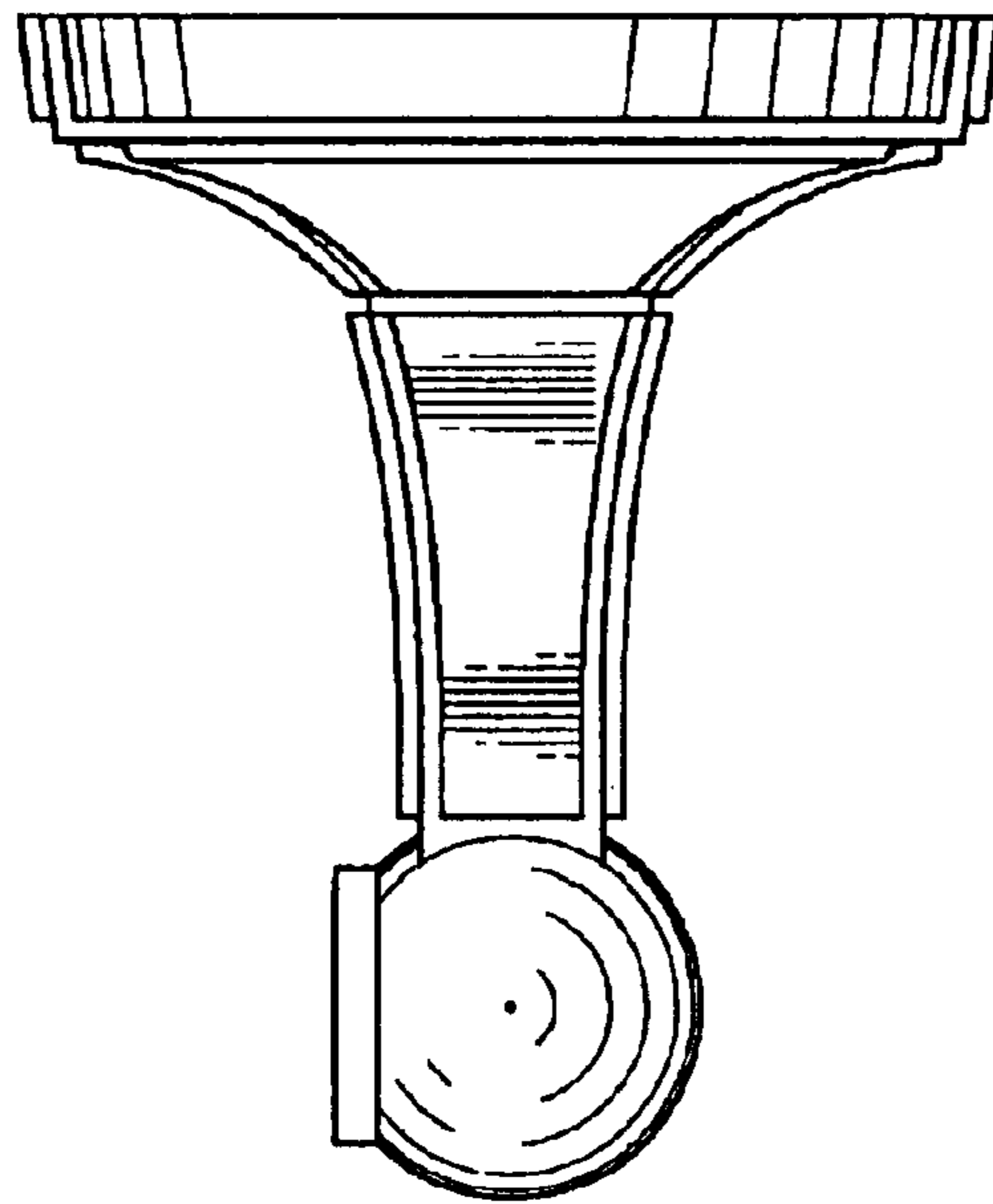


Fig. 6

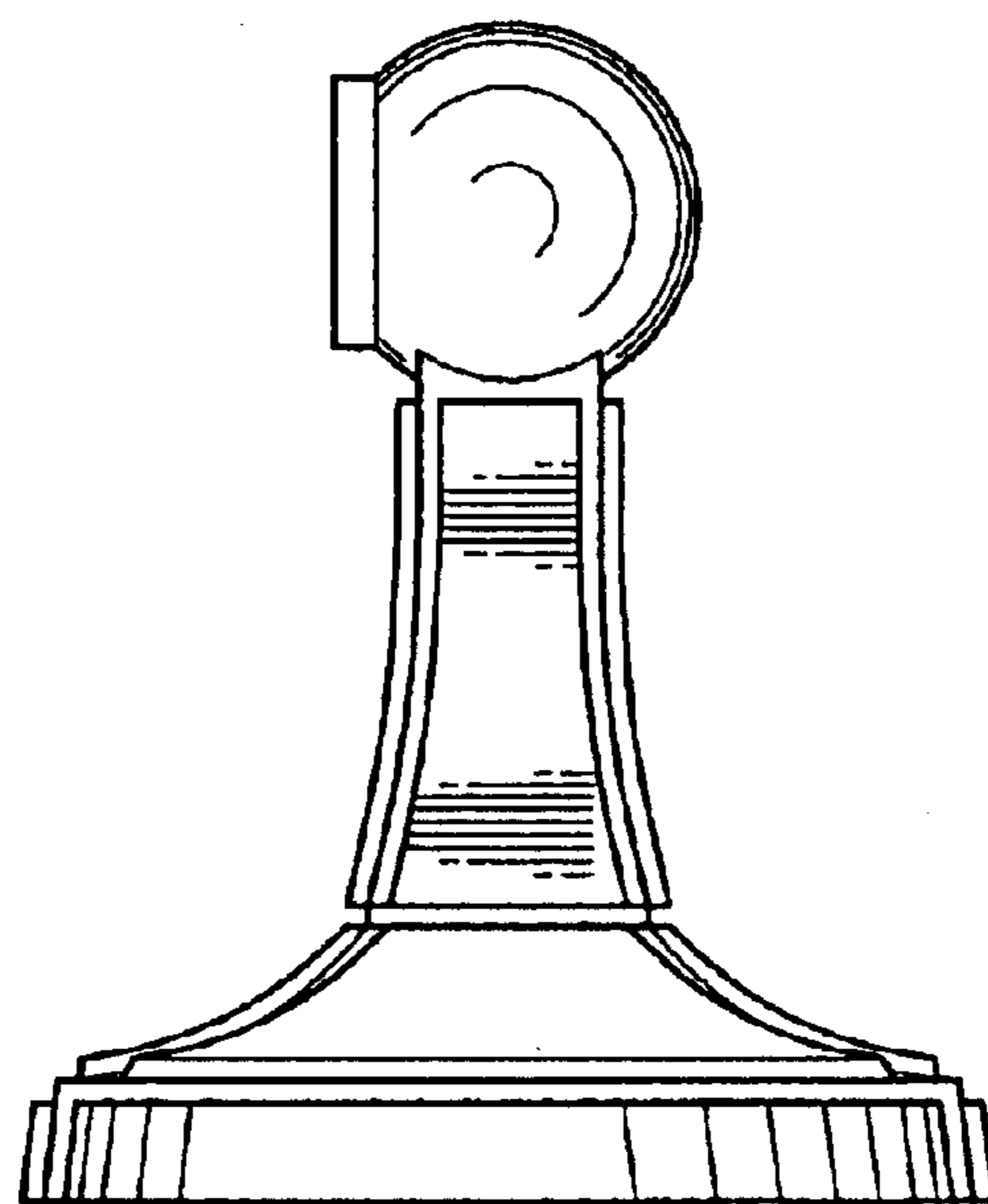


Fig. 7