

US00D498099S

(12) **United States Design Patent**  
**Chen**

(10) **Patent No.: US D498,099 S**

(45) **Date of Patent: \*\* Nov. 9, 2004**

(54) **POST FOR BATH ACCESSORY**

(76) **Inventor: Lien-Fu Chen**, No. 11, Lane 66, Fu Dong Street, Fu Shan Li., Chung Hua (TW)

(\*\*) **Term: 14 Years**

(21) **Appl. No.: 29/193,240**

(22) **Filed: Nov. 5, 2003**

(51) **LOC (7) Cl. .... 23-02**

(52) **U.S. Cl. .... D6/524**

(58) **Field of Search** ..... D6/546-550, 518-519, D6/522-524; D8/300, 303, 315-321, 354, 363, 373, 380; 108/28-29; 211/13.1, 16, 60.1, 86.01, 87.01, 88.01, 88.04, 100, 105.1-105.2, 123, 126.1, 133.6, 134, 181.1, 182; 248/175, 176.1, 200, 251, 302, 309.1; 16/110.1, 412, 415; 242/570, 590, 595-598; 206/389, 557

(56) **References Cited**

**U.S. PATENT DOCUMENTS**

D317,691 S \* 6/1991 Wang ..... D6/550

D317,692 S \* 6/1991 Wang ..... D6/550  
D409,032 S \* 5/1999 Kuo ..... D6/550  
D429,998 S \* 8/2000 Snell ..... D6/524  
D466,351 S \* 12/2002 Tai ..... D6/550  
D475,228 S \* 6/2003 Yeh ..... D6/524

\* cited by examiner

*Primary Examiner*—Brian N Vinson

(74) *Attorney, Agent, or Firm*—Charles E. Baxley

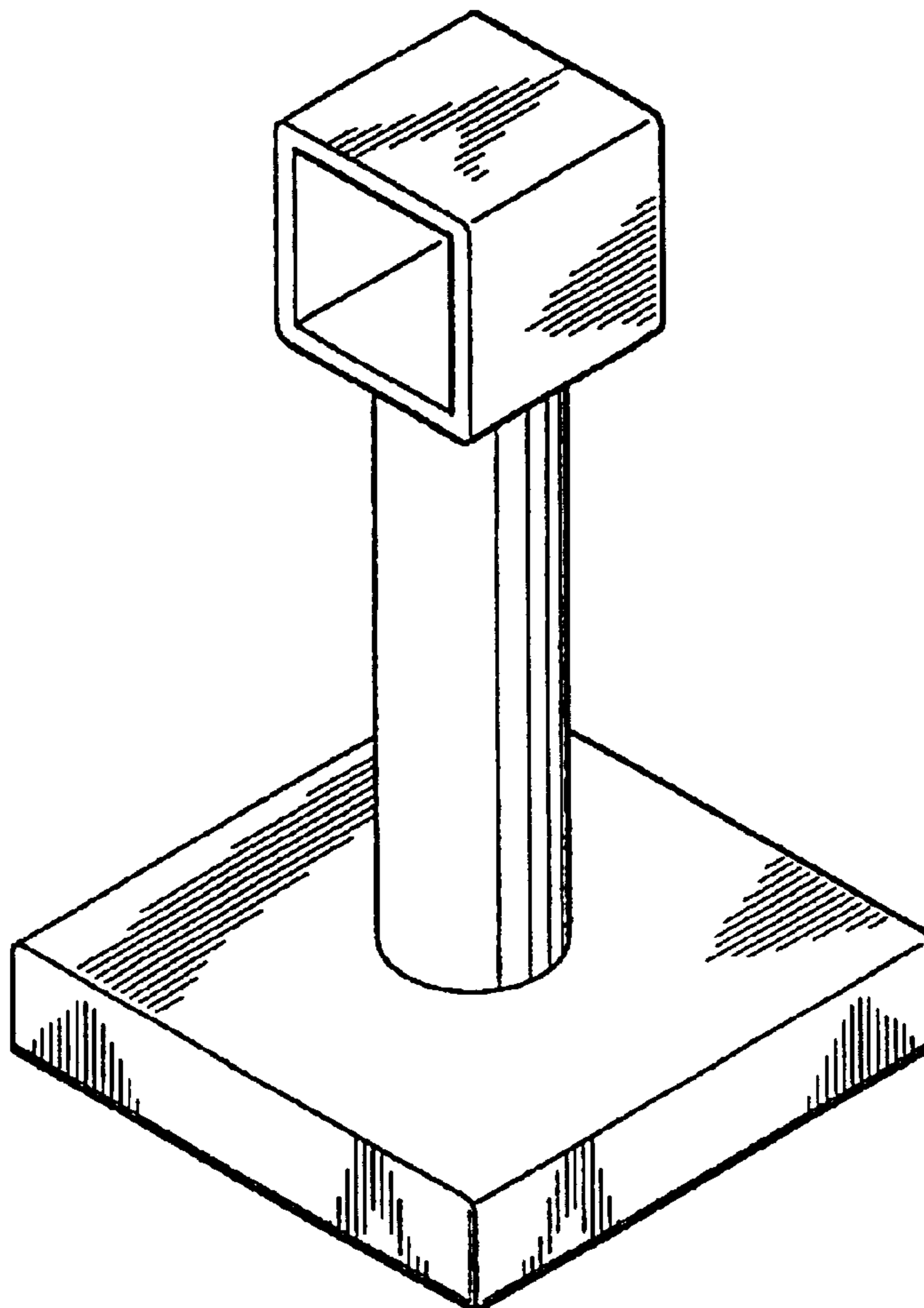
(57) **CLAIM**

The ornamental design for a post for bath accessory, as shown and described.

**DESCRIPTION**

FIG. 1 is a perspective view of a post for bath accessory showing my new design;  
FIG. 2 is a front elevational view thereof;  
FIG. 3 is a rear elevational view thereof;  
FIG. 4 is a left side elevational view thereof;  
FIG. 5 is a right side elevational view thereof;  
FIG. 6 is a top plan view thereof; and,  
FIG. 7 is a bottom plan view thereof.

**1 Claim, 4 Drawing Sheets**



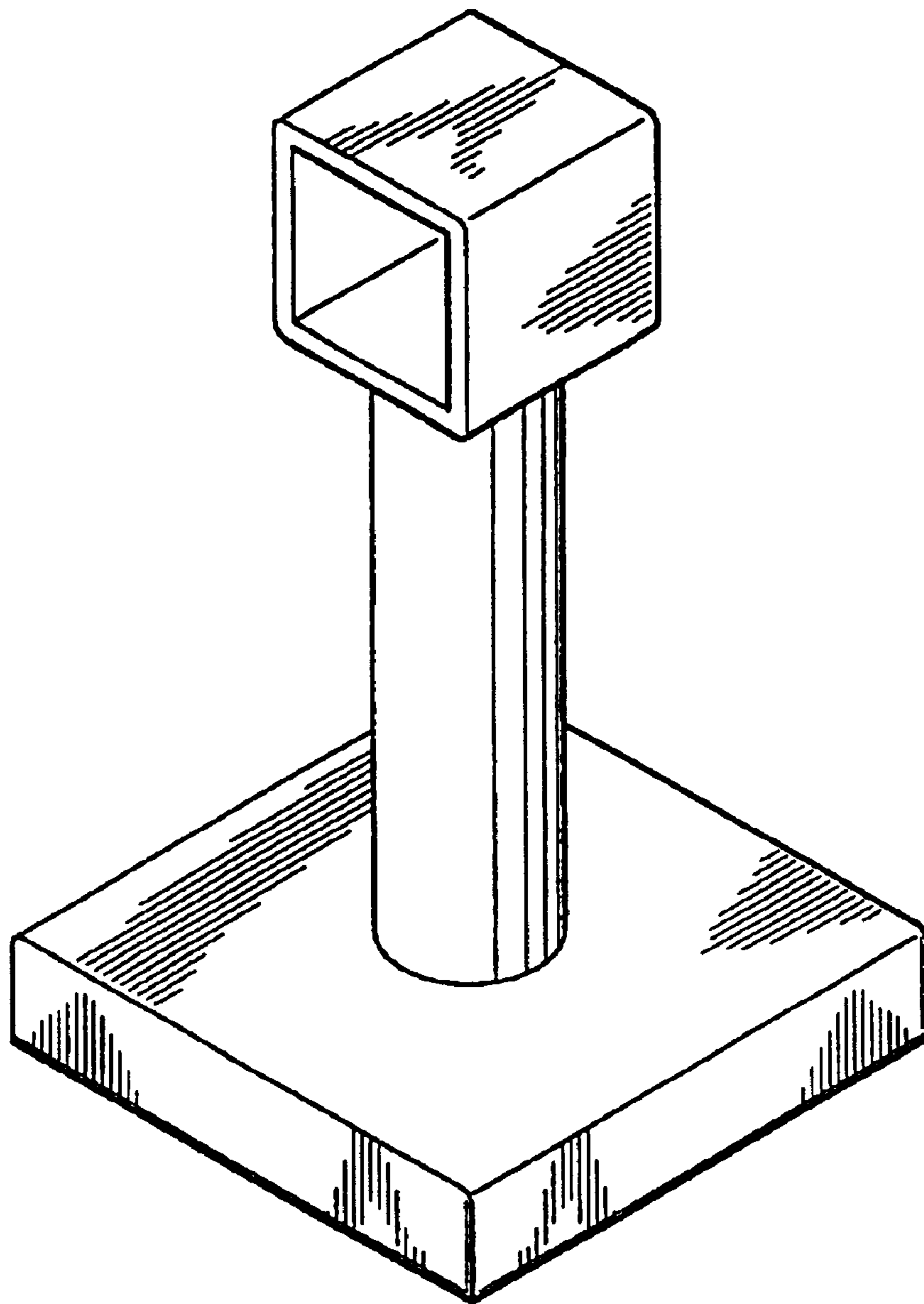


FIG. 1

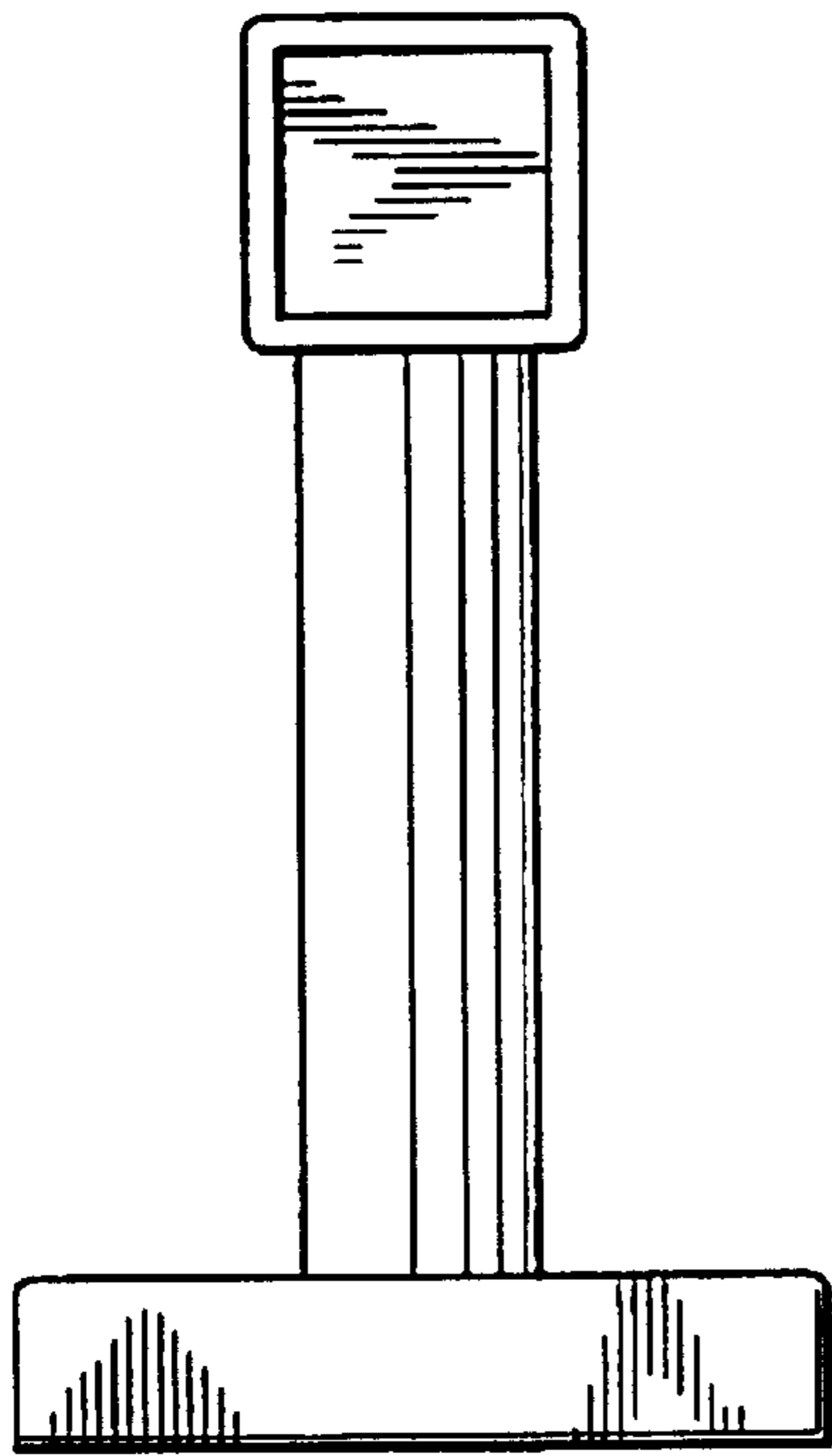


FIG. 2

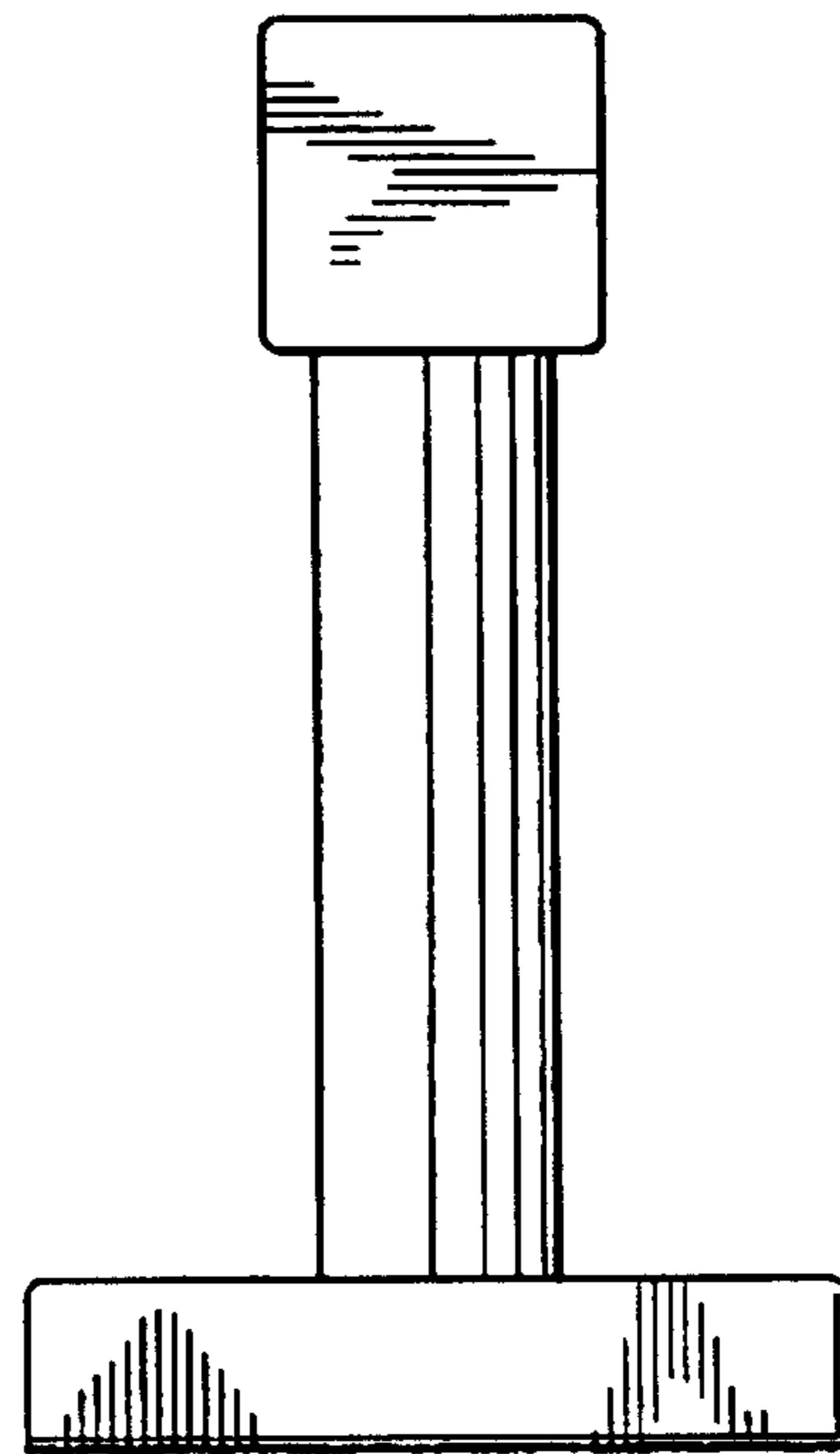


FIG. 3

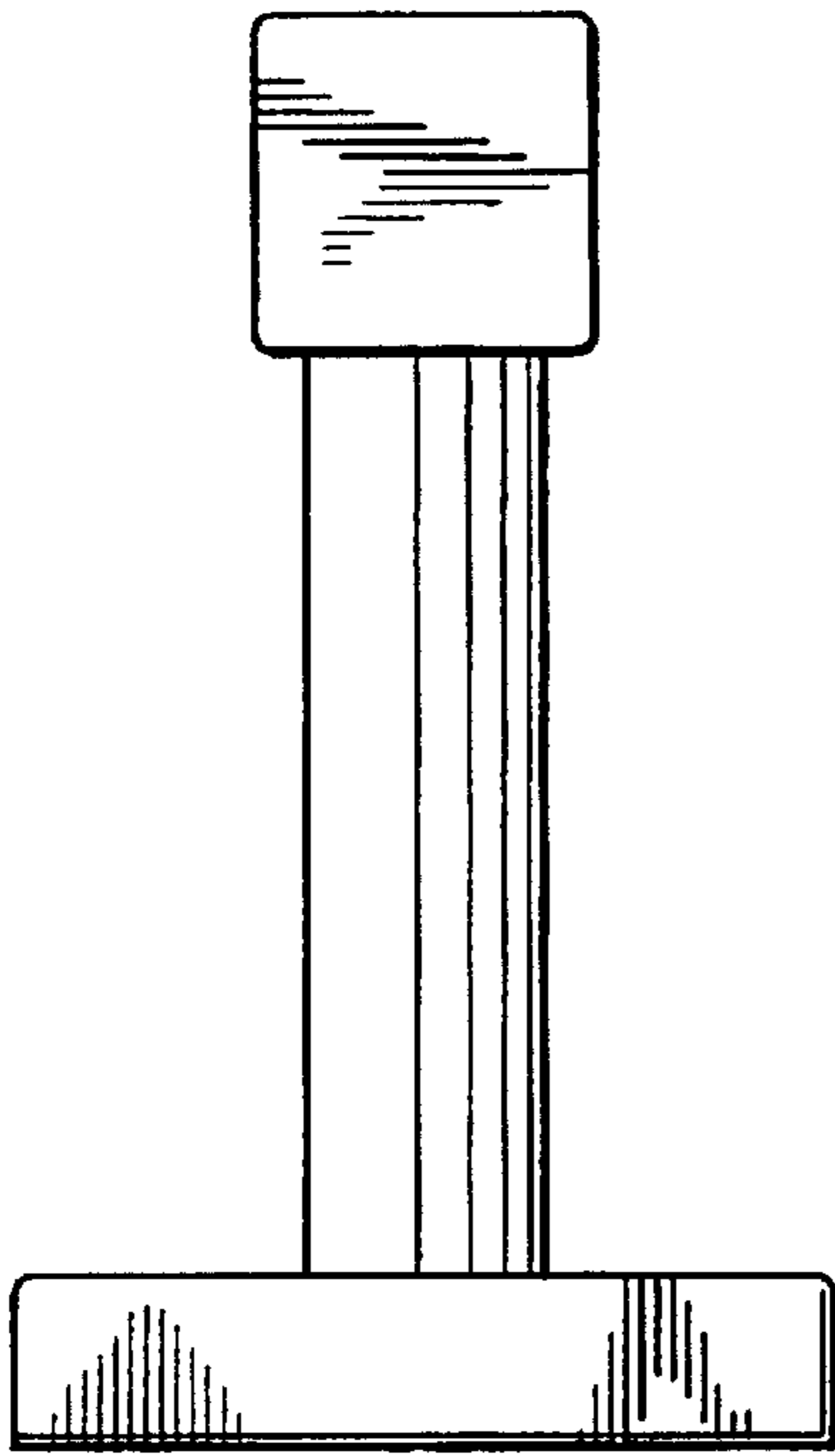


FIG. 4

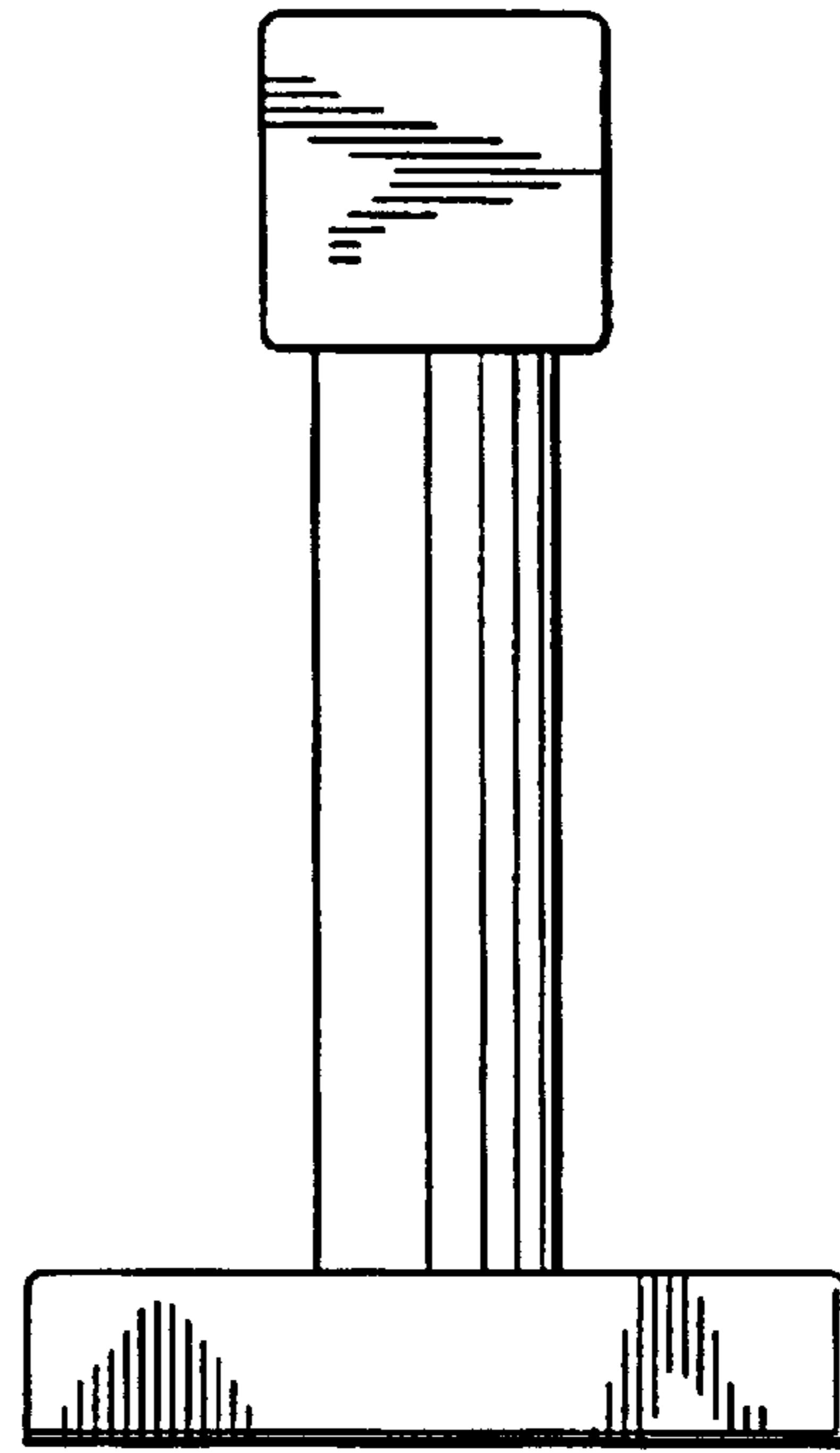


FIG. 5

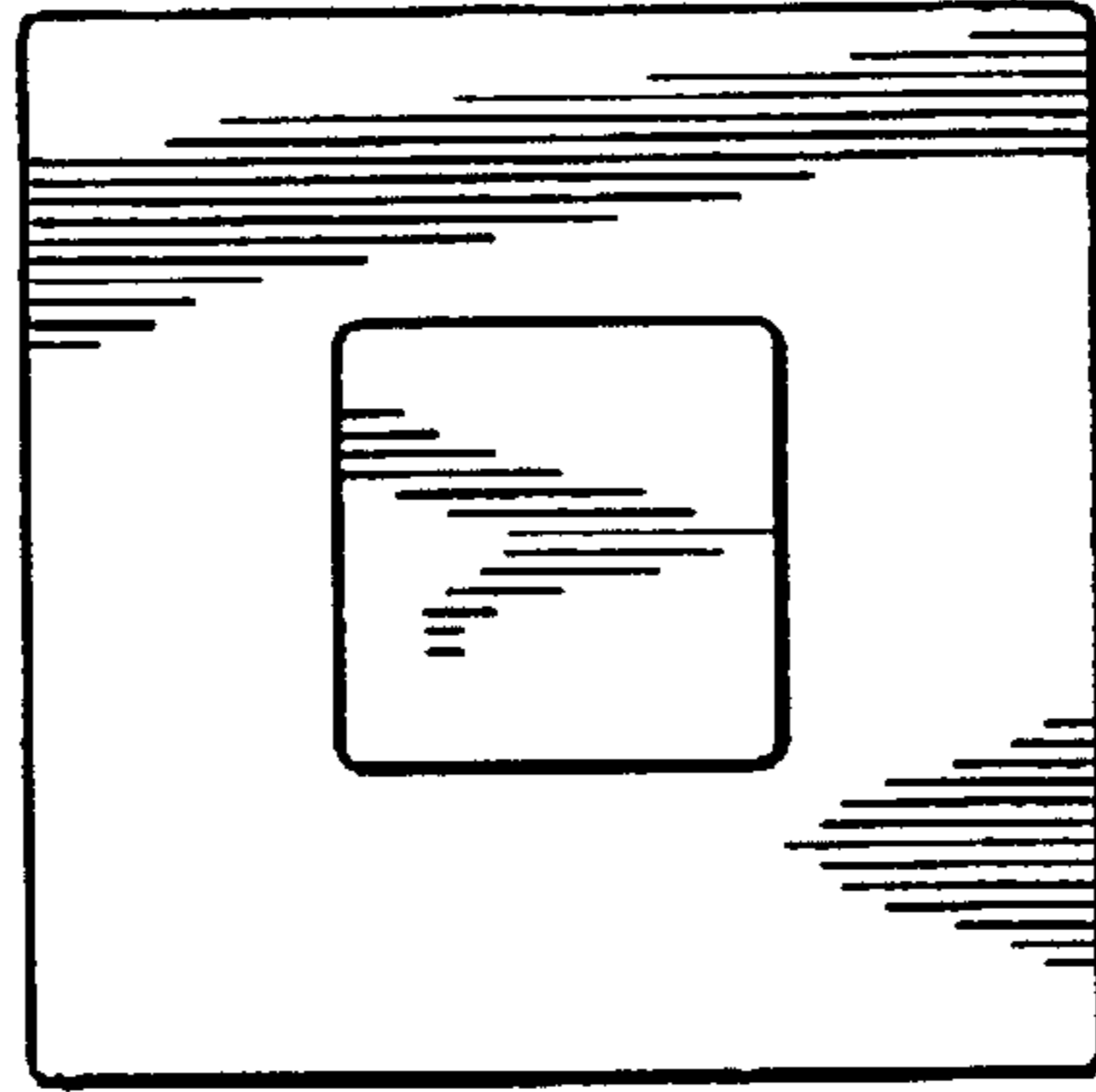


FIG. 6

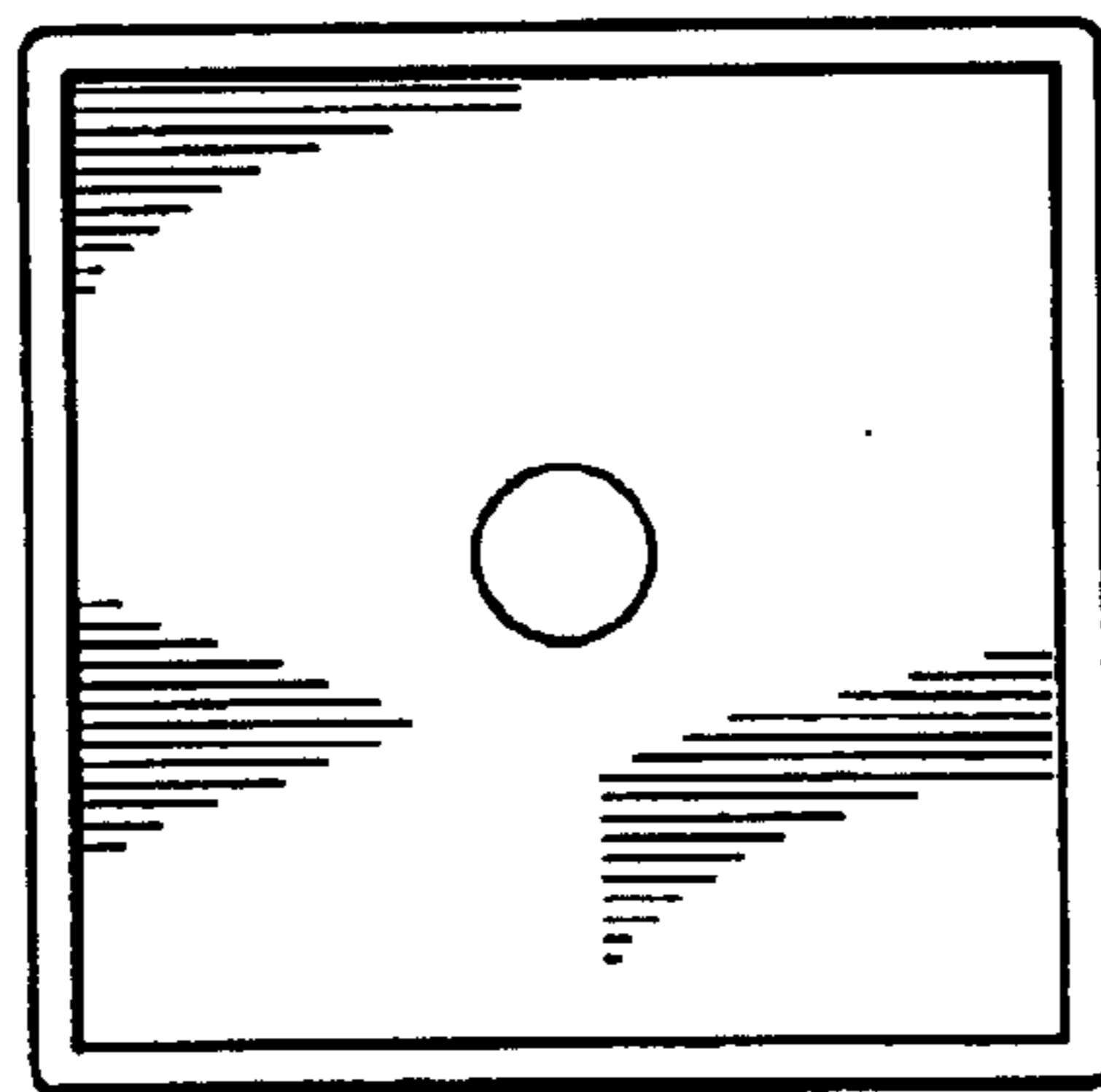


FIG. 7