

US00D498097S

(12) **United States Design Patent** (10) **Patent No.:** **US D498,097 S**
Schwyzler (45) **Date of Patent:** **** Nov. 9, 2004**

(54) **HEADREST**
 (76) **Inventor:** **Robert Schwyzler**, 5548 Indian Hills Dr., Simi Valley, CA (US) 93063
 (**) **Term:** **14 Years**
 (21) **Appl. No.:** **29/158,104**
 (22) **Filed:** **Jun. 28, 2002**
 (51) **LOC (7) Cl.** **06-06**
 (52) **U.S. Cl.** **D6/501**
 (58) **Field of Search** D6/334-336, 356, D6/367, 500-502, 601, 604, 611; 297/391, 394, 397, 408, 410, 220; D3/308; D12/400; D24/183; 181/141

5,669,665 A * 9/1997 Nowak 297/397
 5,735,576 A * 4/1998 Pepys et al. 297/397
 6,120,099 A * 9/2000 Reikerås et al. 297/391
 6,123,389 A * 9/2000 O'Connor et al. 297/397
 D436,271 S * 1/2001 Corti D6/501
 6,220,668 B1 * 4/2001 Scheffzuck 297/391
 6,305,749 B1 * 10/2001 O'Connor et al. 297/397
 D468,917 S * 1/2003 Veneruso D6/356
 6,601,804 B2 * 8/2003 Bisch 297/391

* cited by examiner

Primary Examiner—Mimosa De

(57) **CLAIM**

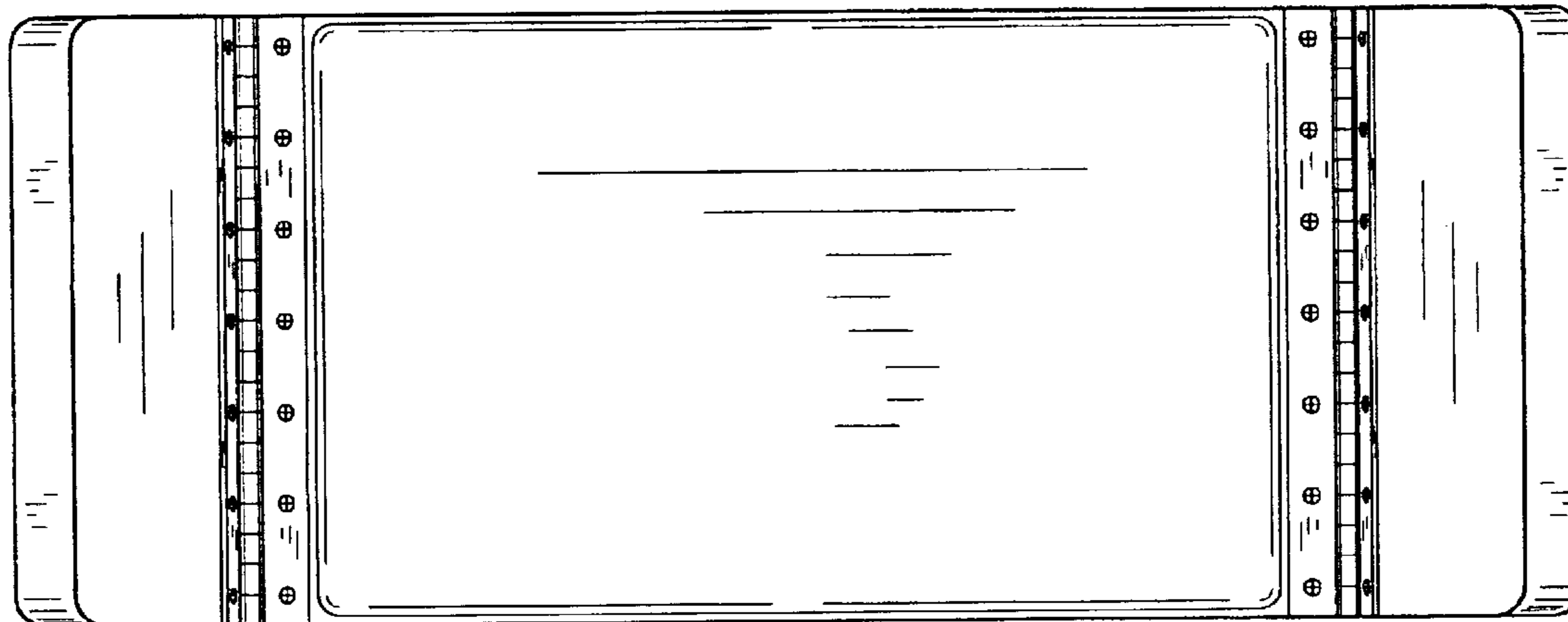
The ornamental design for a headrest, as shown and described.

DESCRIPTION

FIG. 1 is a front elevational view of a headrest showing my new design;
 FIG. 2 is a reduced rear elevational view thereof;
 FIG. 3 is a reduced side view, taken from the left side of FIG. 1, the right side view being a mirror image thereof;
 FIG. 4 is a top plan view thereof;
 FIG. 5 is a bottom plan view thereof; and,
 FIG. 6 is a reduced perspective view thereof in folded condition.

1 Claim, 6 Drawing Sheets

(56) **References Cited**
U.S. PATENT DOCUMENTS
 D138,510 S * 8/1944 Dreyfuss D6/356
 D138,511 S * 8/1944 Dreyfuss D6/356
 2,464,435 A * 3/1949 Conradt 297/397
 2,589,155 A * 3/1952 Smith 297/391
 D191,447 S * 10/1961 Kerr D6/502
 4,440,443 A * 4/1984 Nordskog 297/397
 4,638,884 A * 1/1987 Lee 181/141
 4,991,222 A * 2/1991 Nixdorf 297/391
 D353,497 S * 12/1994 Bergkvist et al. D6/356
 5,544,378 A * 8/1996 Chow 297/397



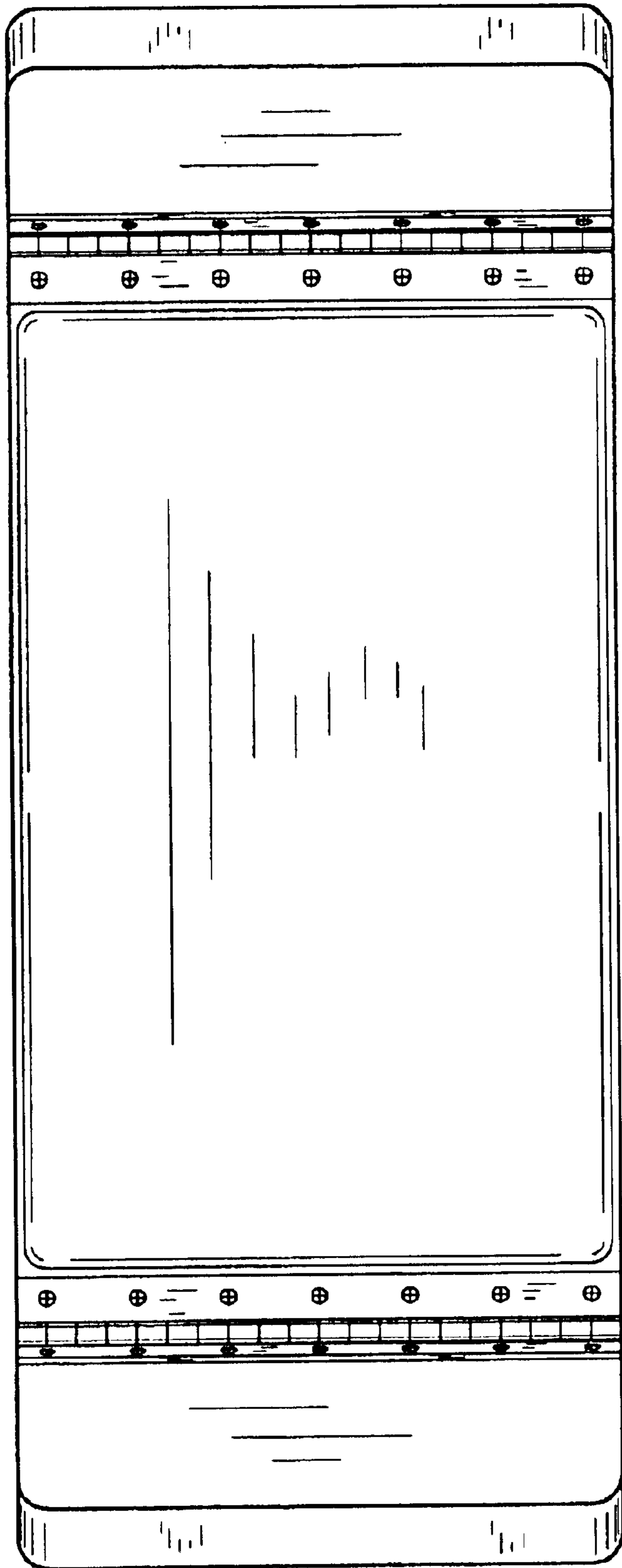


FIG. 1

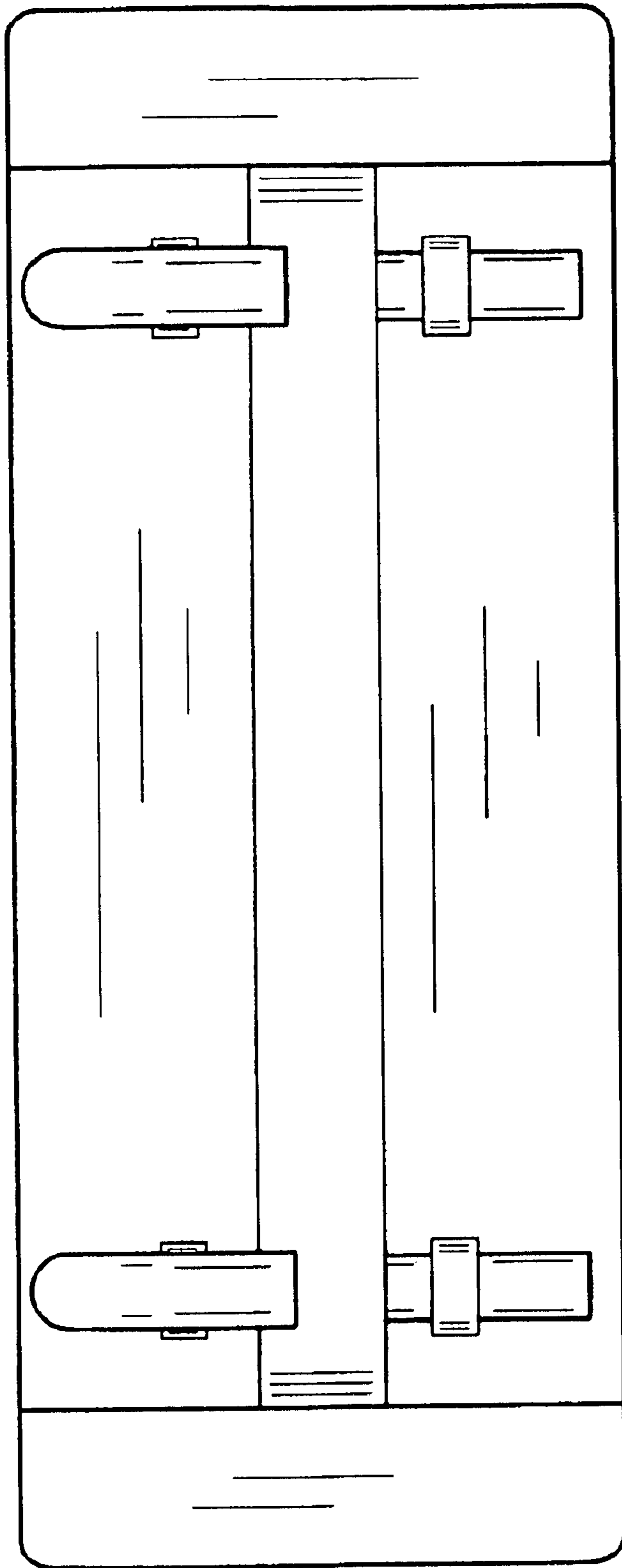


FIG. 2

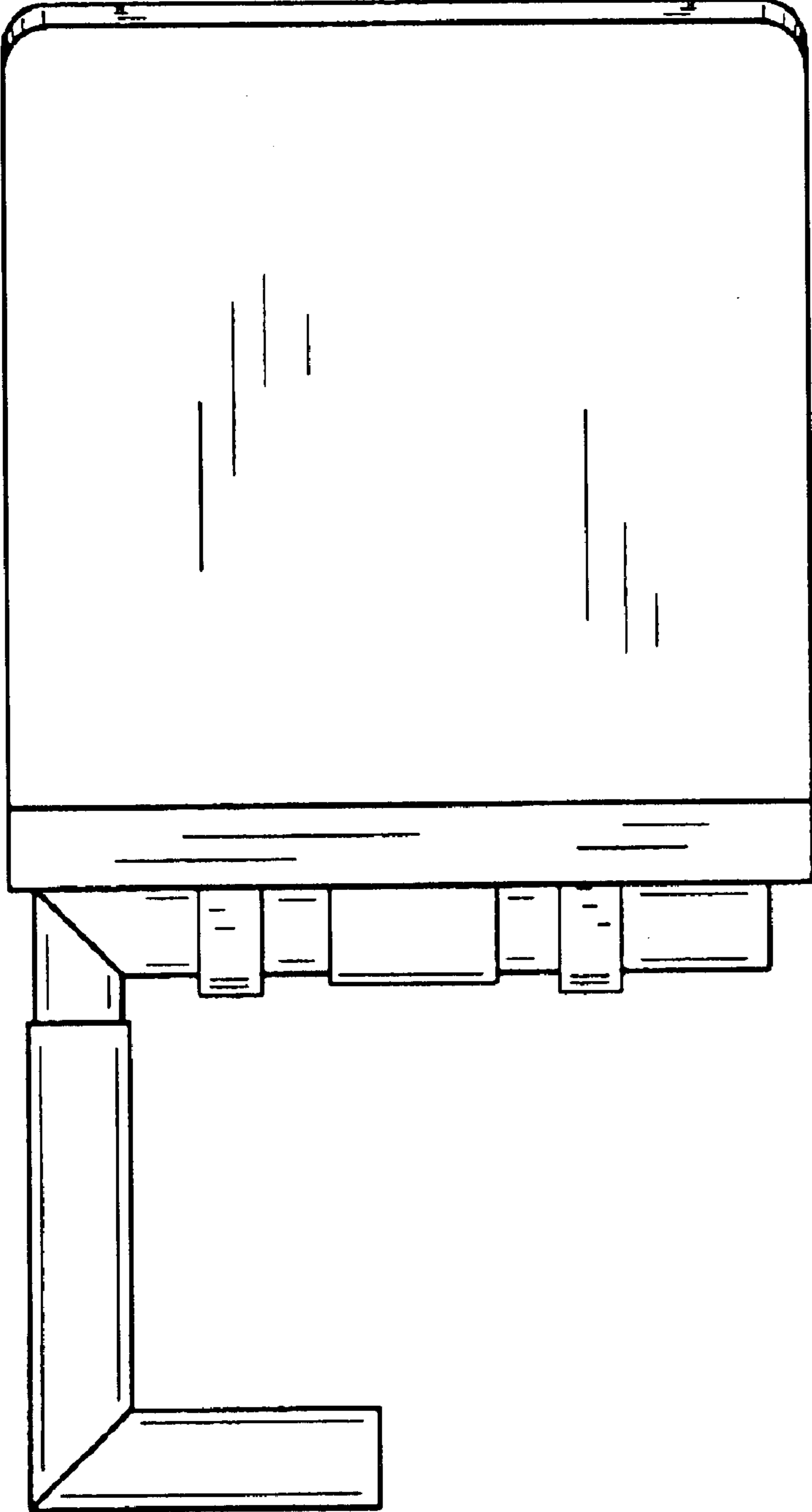


FIG. 3

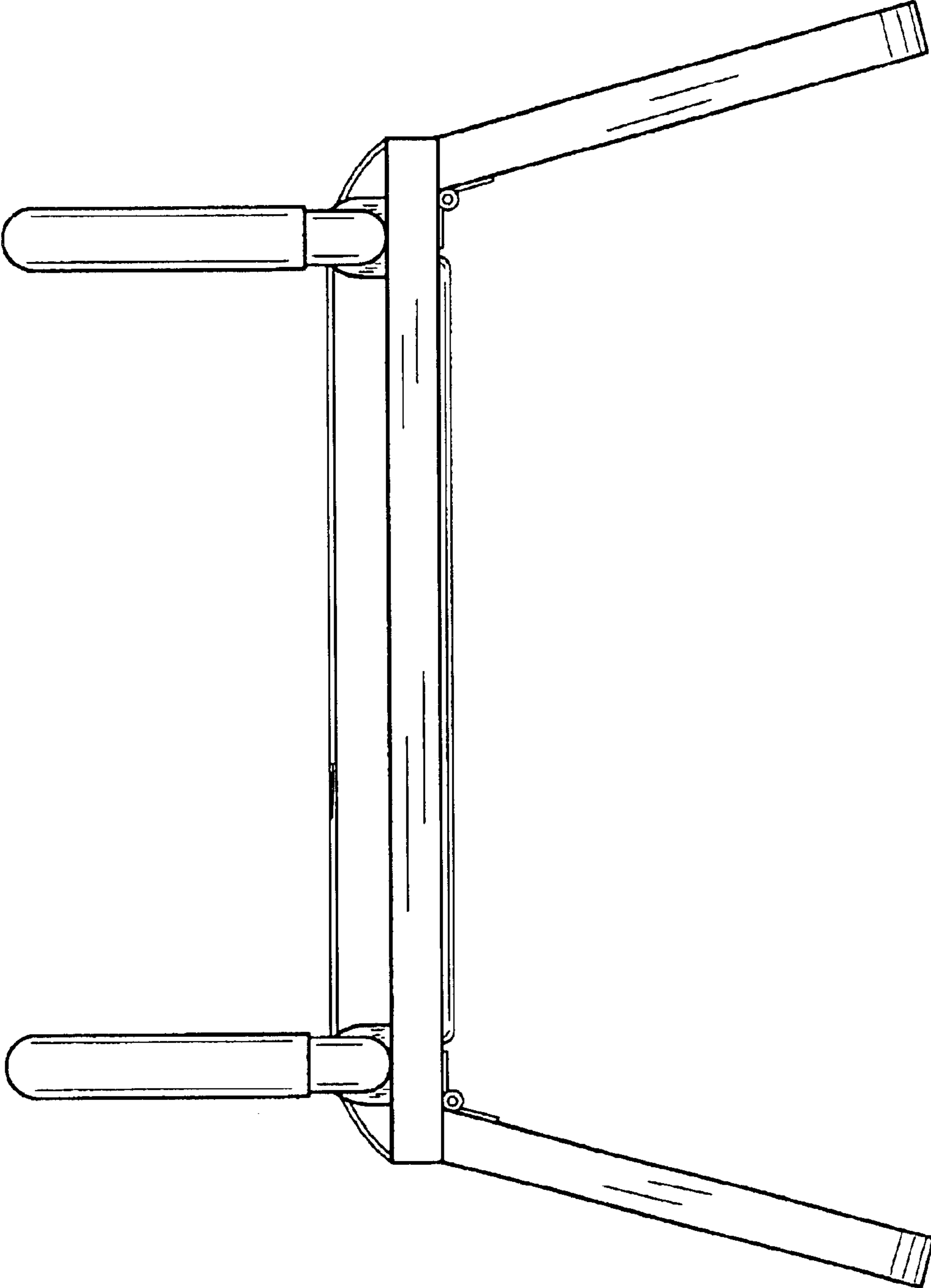


FIG. 4

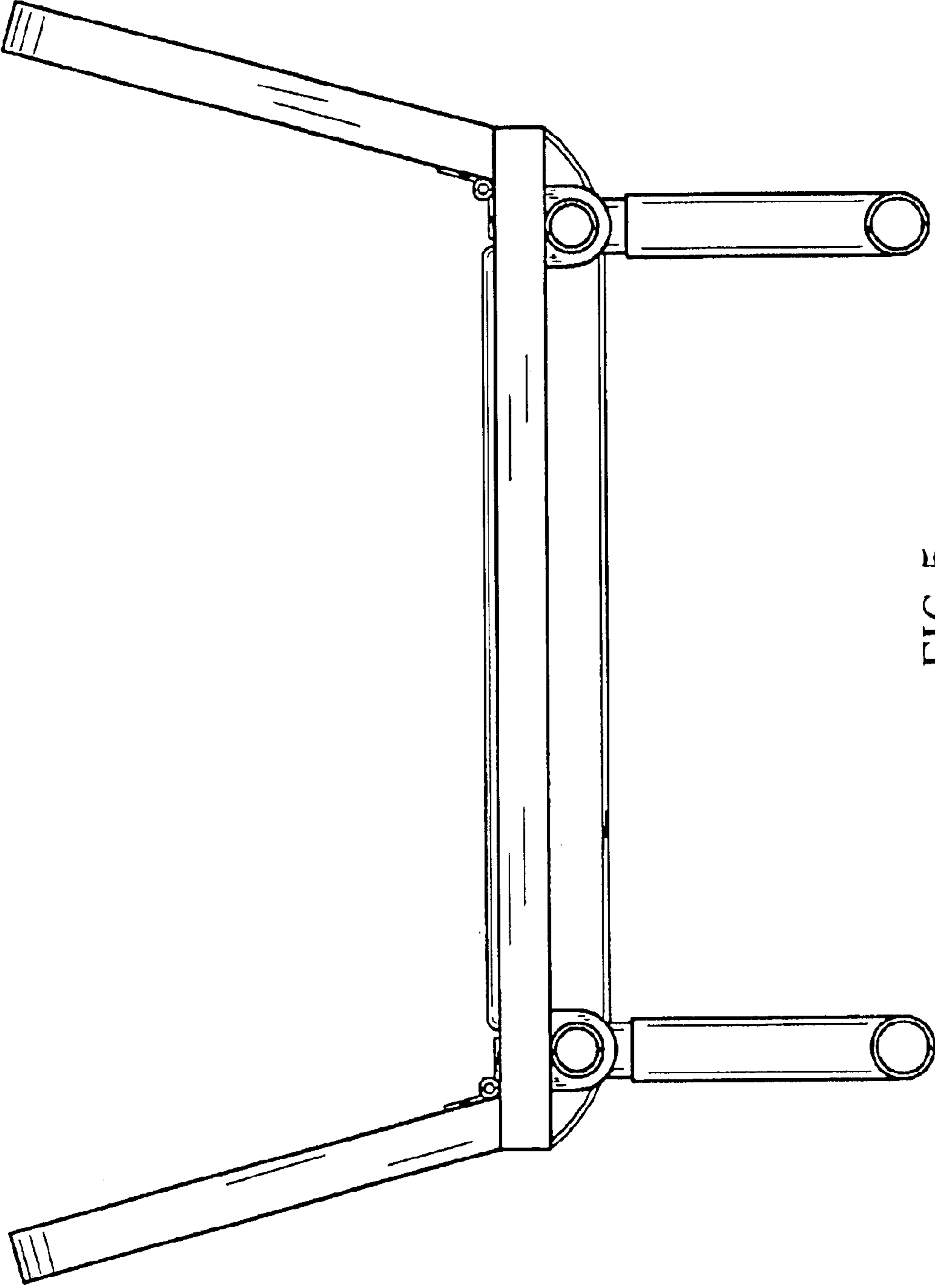


FIG. 5

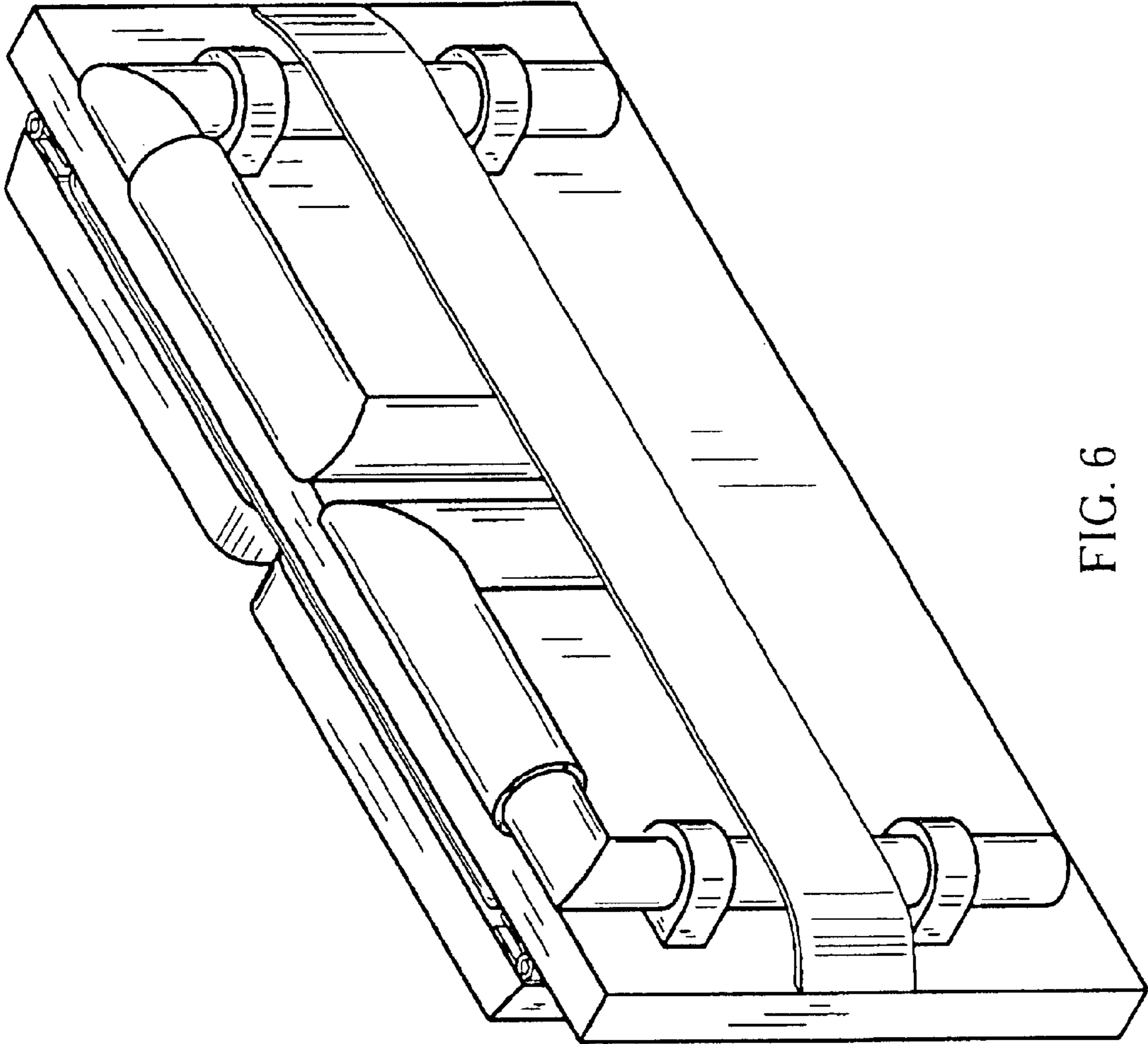


FIG. 6