

US00D498095S

(12) **United States Design Patent** (10) **Patent No.:** **US D498,095 S**  
**Lucci et al.** (45) **Date of Patent:** **\*\* Nov. 9, 2004**

(54) **CHAIR SEAT WITH ARMS**  
 (75) Inventors: **Roberto Lucci**, Como (IT); **Paolo Orlandini**, Milan (IT)  
 (73) Assignee: **Ditto Sales, Inc.**, Jasper, IN (US)  
 (\*\*) Term: **14 Years**

D417,102 S 11/1999 Vanderwood et al.  
 6,003,948 A 12/1999 Holbrook  
 D442,805 S 5/2001 McDiarmid  
 D461,348 S \* 8/2002 Holbrook et al. .... D6/500  
 D462,535 S \* 9/2002 Lucci et al. .... D6/373  
 D477,925 S \* 8/2003 Lucci et al. .... D6/366

(21) Appl. No.: **29/183,853**  
 (22) Filed: **Jun. 18, 2003**

**Related U.S. Application Data**

(62) Division of application No. 29/181,799, filed on May 15, 2003, now Pat. No. Des. 492,496, which is a division of application No. 29/162,122, filed on Jun. 10, 2002, now Pat. No. Des. 477,925, which is a division of application No. 29/131,598, filed on Oct. 25, 2000, now Pat. No. Des. 462,535.

(51) **LOC (7) Cl.** ..... **06-01**  
 (52) **U.S. Cl.** ..... **D6/500; D6/502**  
 (58) **Field of Search** ..... D6/334, 335, 364, D6/365, 366, 367, 373, 374, 375, 379, 500, 501, 502; 297/DIG. 2, 411.2

(56) **References Cited**

**U.S. PATENT DOCUMENTS**

D243,572 S 3/1977 Offredi  
 D246,813 S 1/1978 Tolleson  
 4,744,603 A 5/1988 Knoblock  
 5,076,646 A 12/1991 Matte  
 D328,984 S 9/1992 Marini  
 D333,044 S 2/1993 Caruso  
 D346,072 S 4/1994 Zapf  
 5,314,240 A 5/1994 Ishi et al.  
 D347,740 S 6/1994 Locher  
 5,338,099 A 8/1994 Ishi et al.  
 D365,453 S \* 12/1995 Newhouse ..... D6/366  
 D367,185 S 2/1996 Olson  
 D374,129 S 10/1996 Timmons  
 5,580,127 A 12/1996 Piretti  
 D390,024 S 2/1998 DeJule  
 D411,928 S 7/1999 Ritch et al.  
 5,924,770 A 7/1999 Tarney et al.

**OTHER PUBLICATIONS**

Versteel Chela catalog, p. 4. Chairs shown.  
 J.C. Penny "Big Book Catalog", Winter 2000, p. 959, USA.  
 Teknion, Internet product information, Teknion dhatma, [http://www.teknion.com/products.features/fb\\_dharma\\_g.asp](http://www.teknion.com/products.features/fb_dharma_g.asp), undated.

\* cited by examiner

*Primary Examiner*—Gary D. Watson  
 (74) *Attorney, Agent, or Firm*—Maginot, Moore & Beck

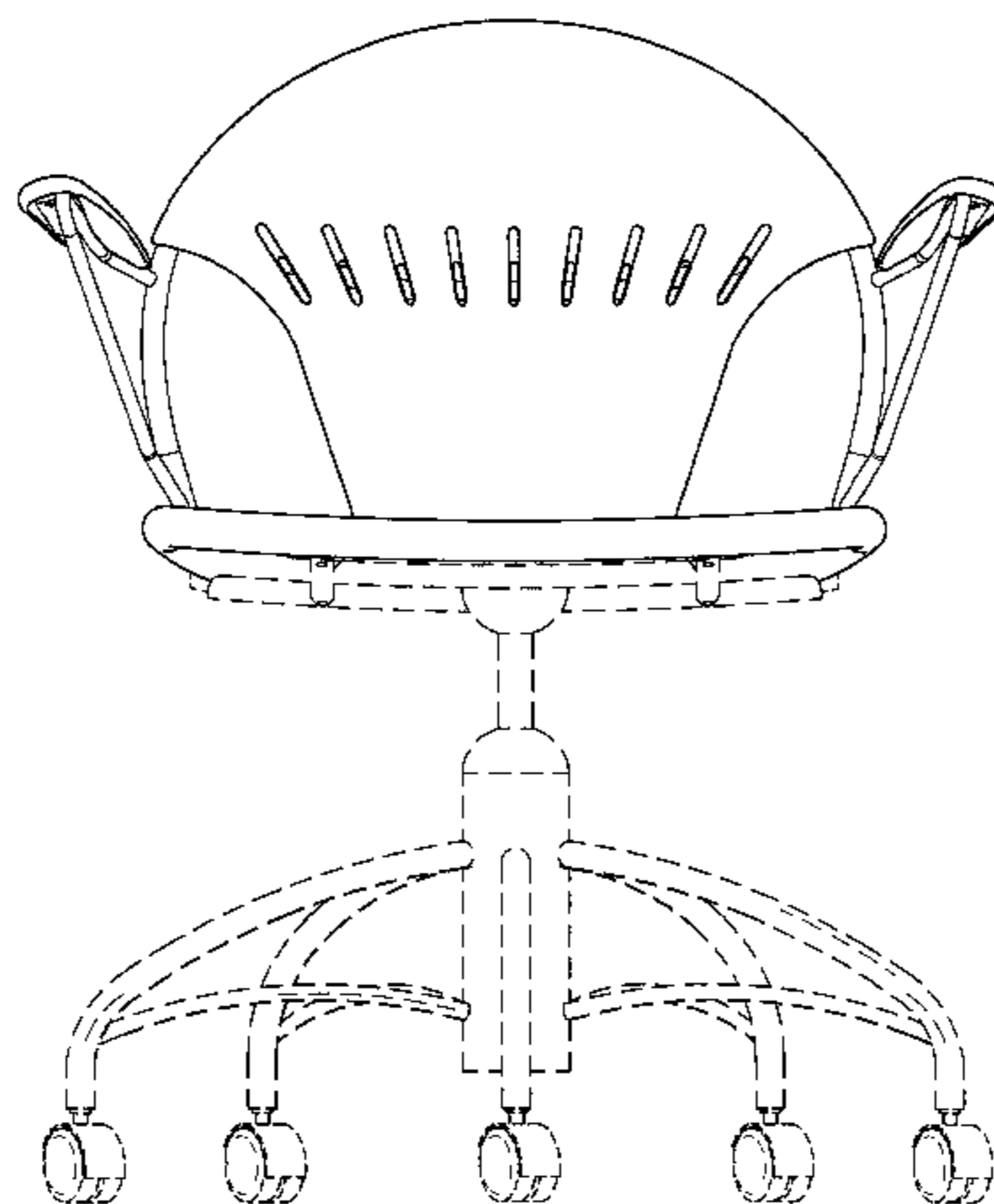
(57) **CLAIM**

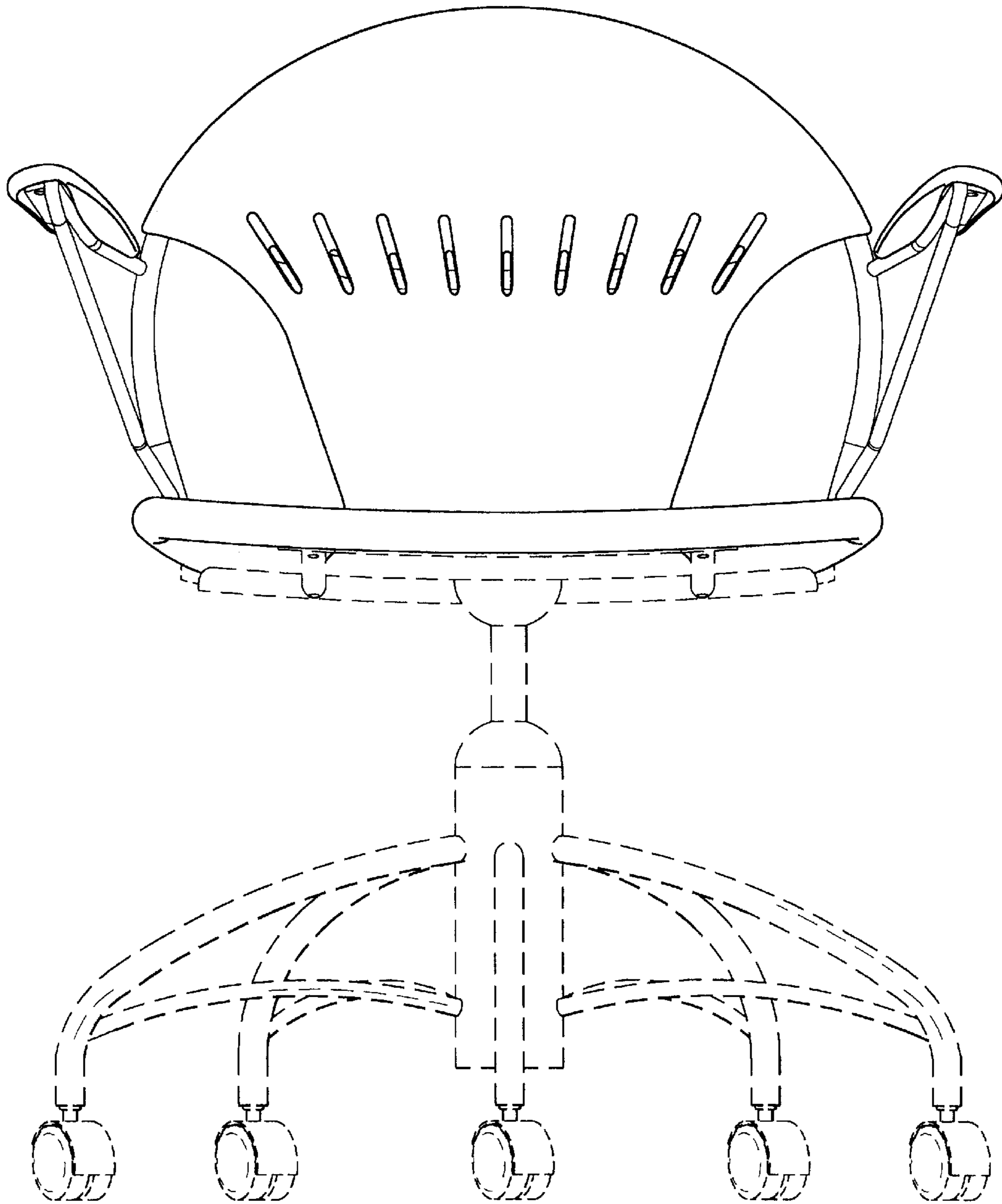
The ornamental design for a chair seat with arms, as shown and described.

**DESCRIPTION**

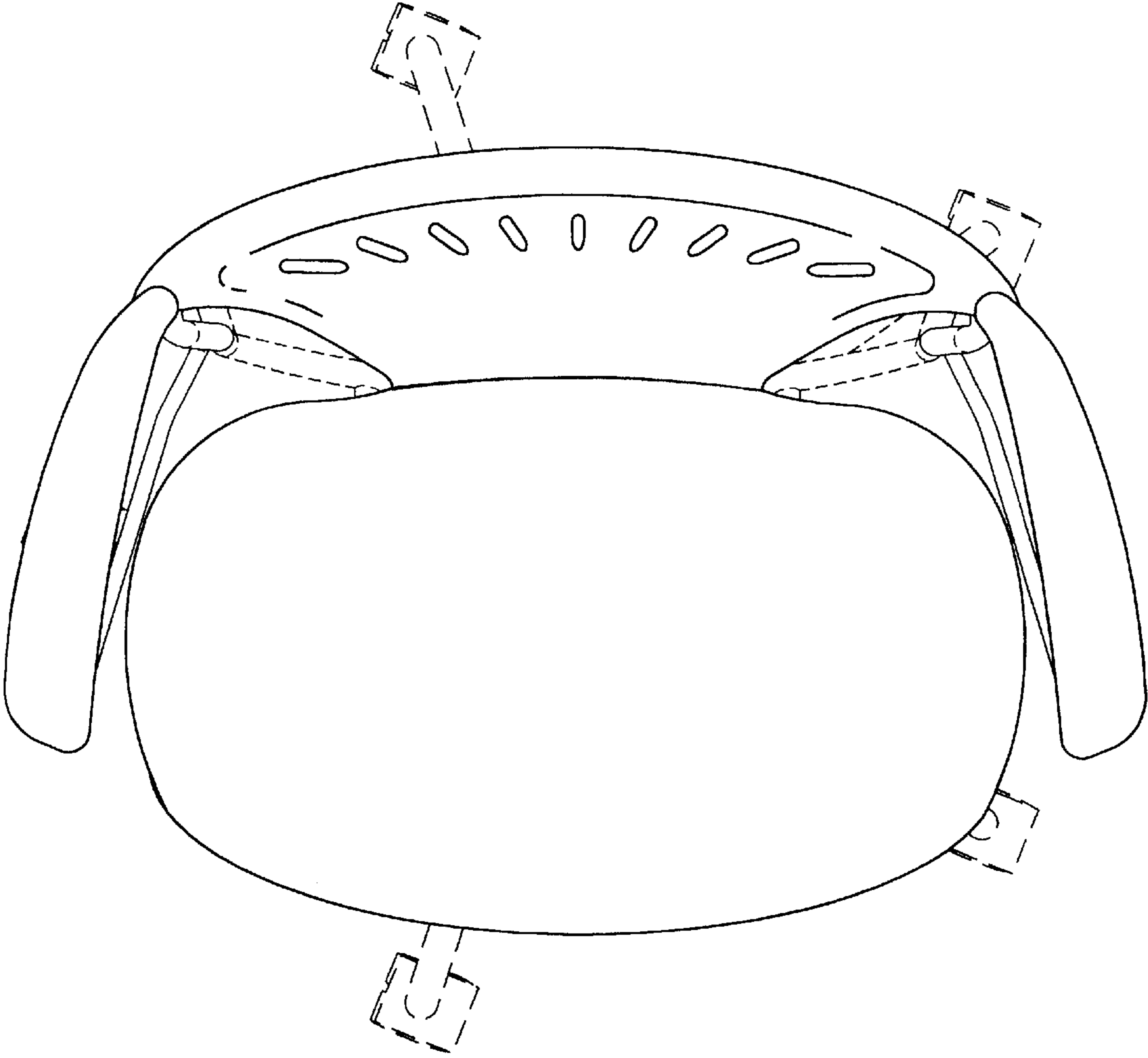
FIG. 1 is a front elevational view of a chair seat with arms showing our new design.  
 FIG. 2 is a top elevational view of the embodiment shown in FIG. 1.  
 FIG. 3 is a perspective view of the embodiment shown in FIG. 1.  
 FIG. 4 is a side elevational view of our design for a chair seat with arms mounted on an alternated frame.  
 FIG. 5 is a top elevational view of the embodiment shown in FIG. 4.  
 FIG. 6 is a rear elevational view of the embodiment shown in FIG. 4.  
 FIG. 7 is a perspective view of the embodiment shown in FIG. 4; and,  
 FIG. 8 is a front elevational view of the embodiment shown in FIG. 4.  
 The broken lines shown in the Figures define the boundary as well as the environment and form no part of the claimed design.

**1 Claim, 8 Drawing Sheets**

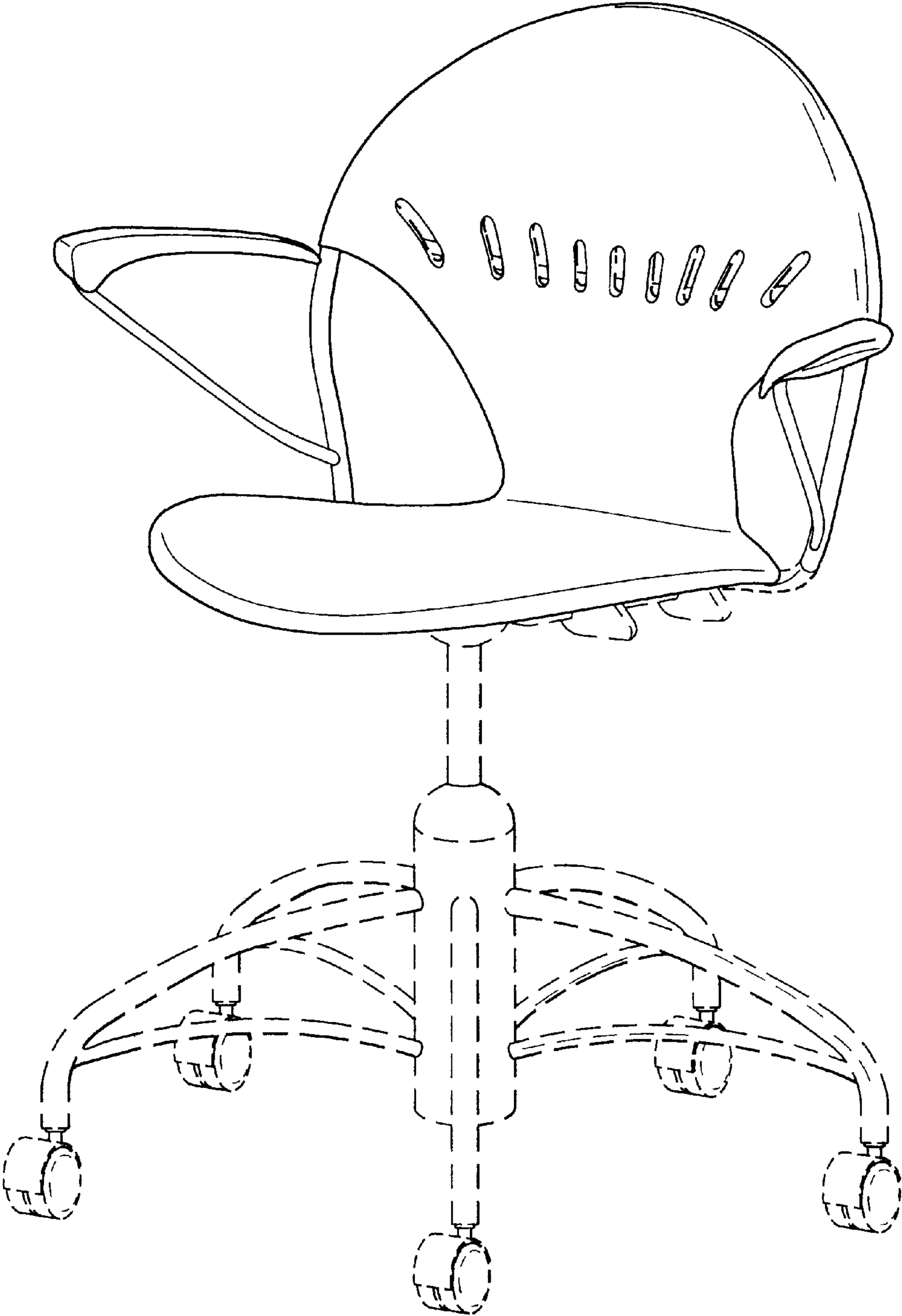




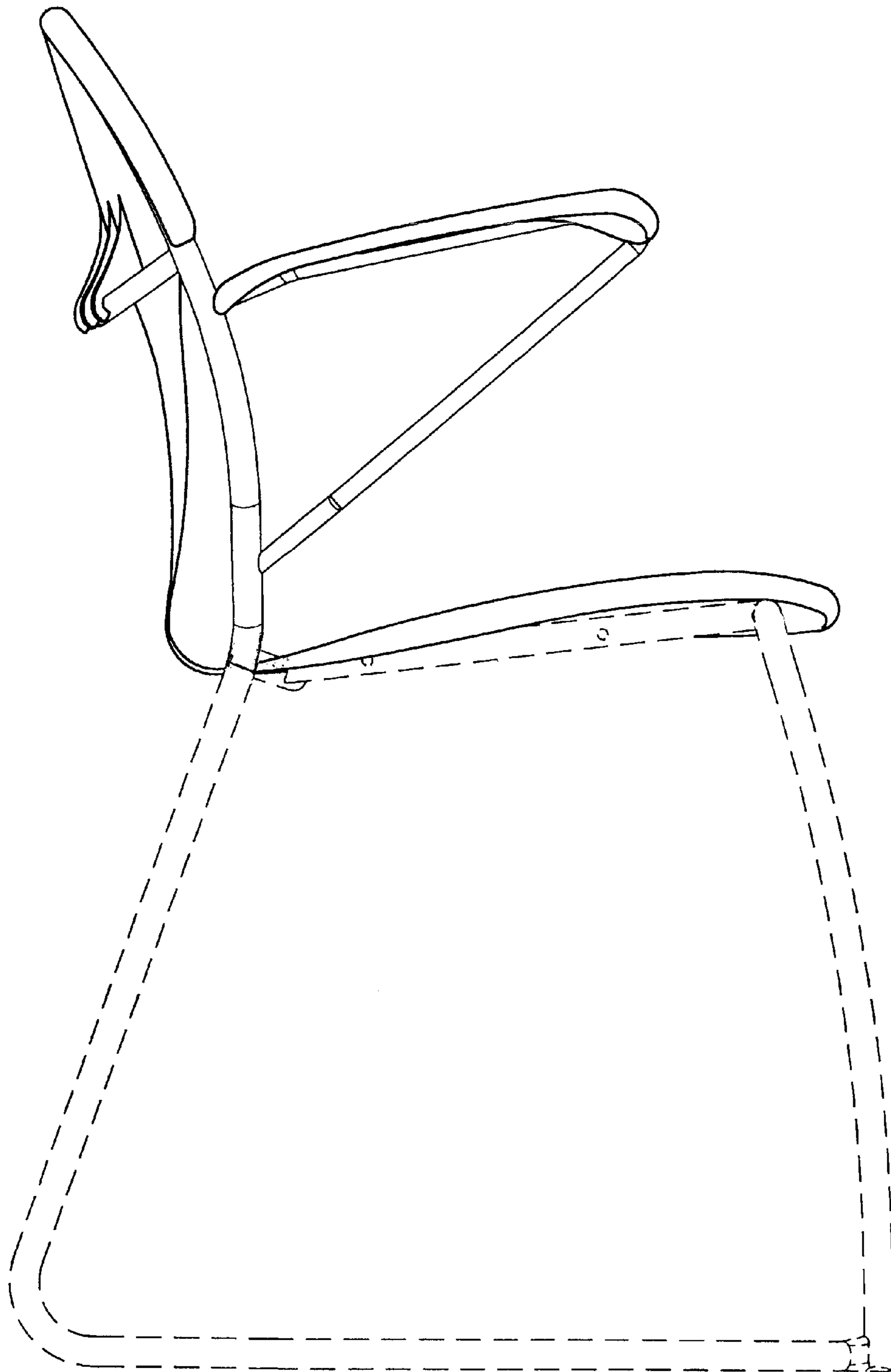
**Fig. 1**



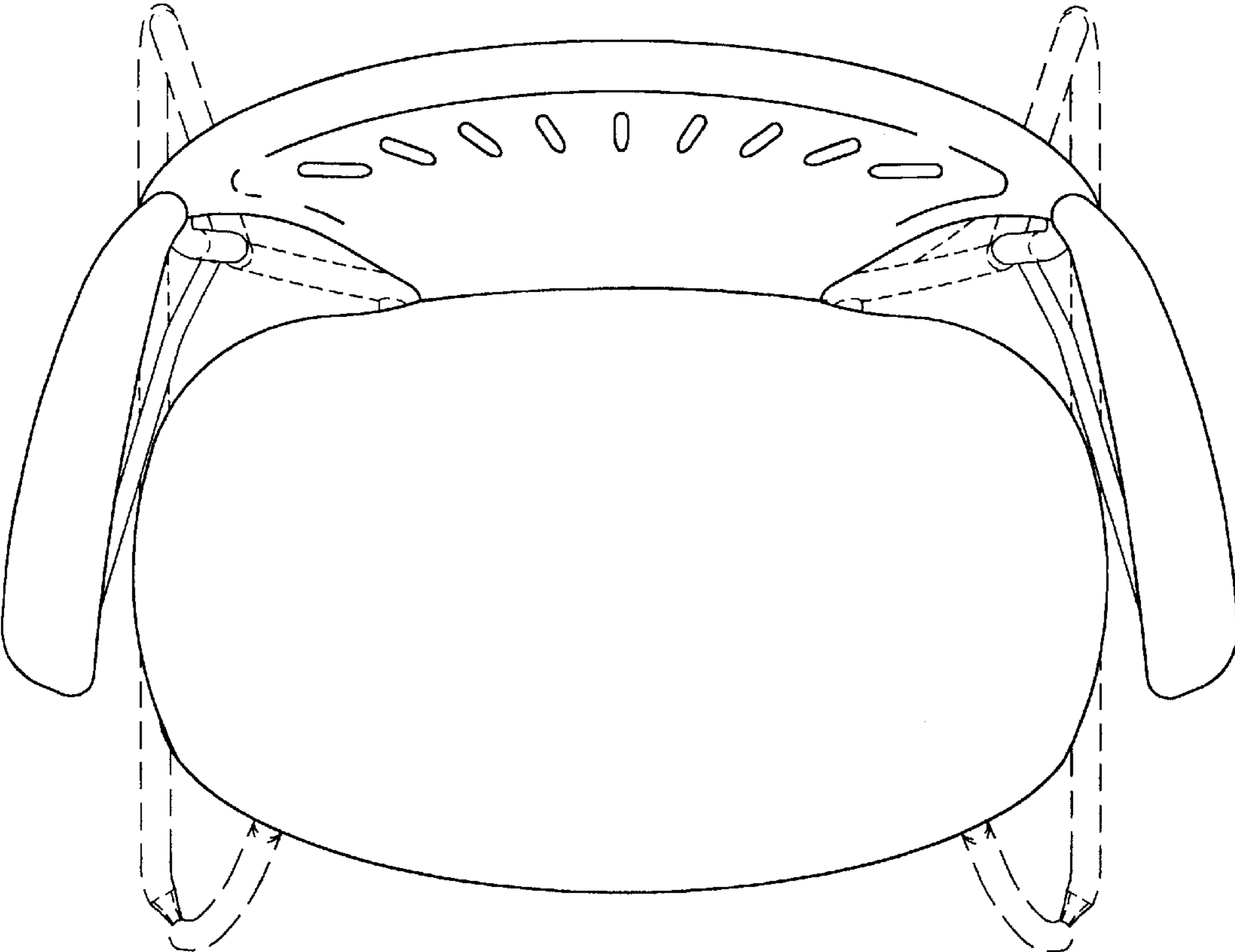
**Fig. 2**



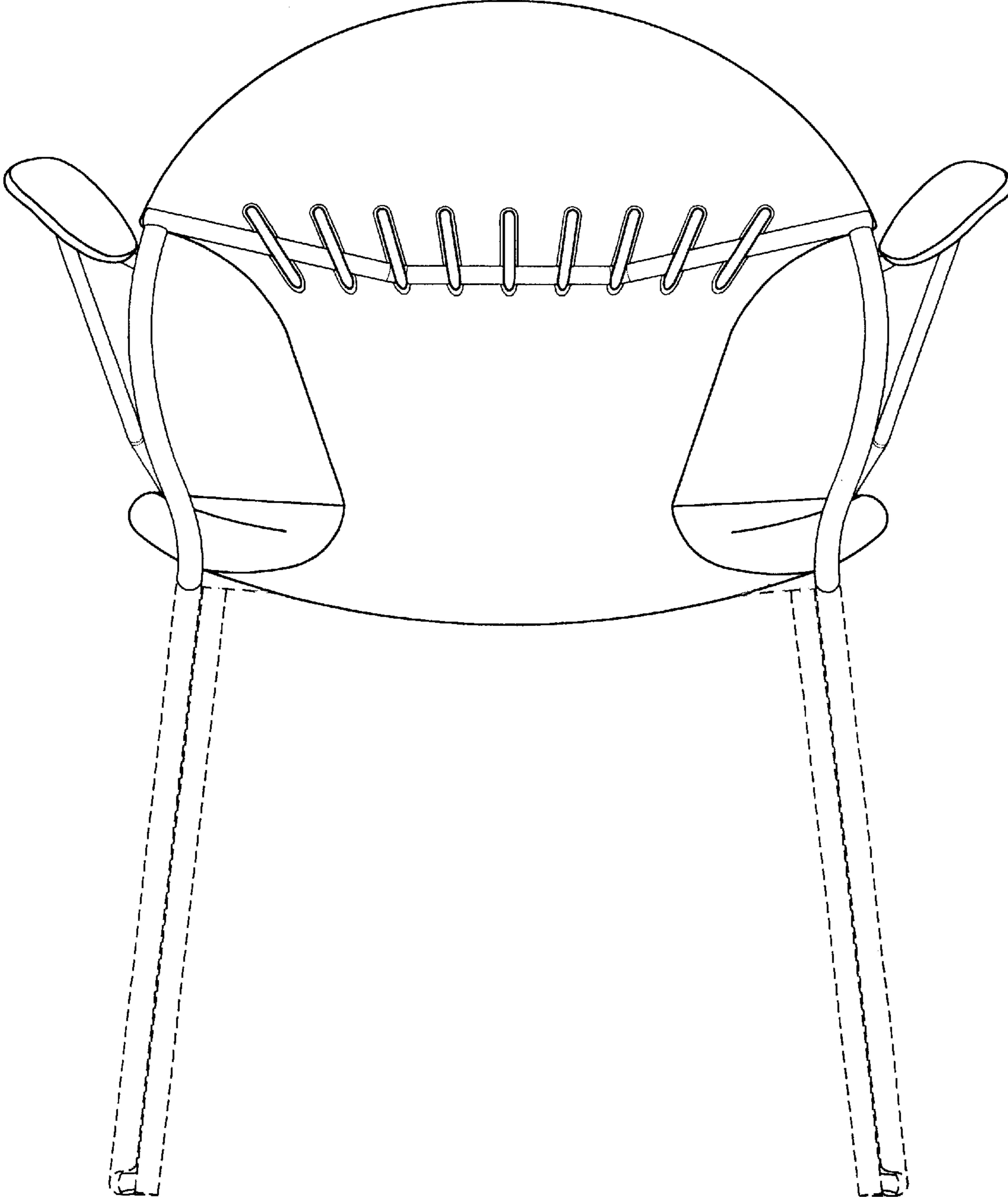
**Fig. 3**



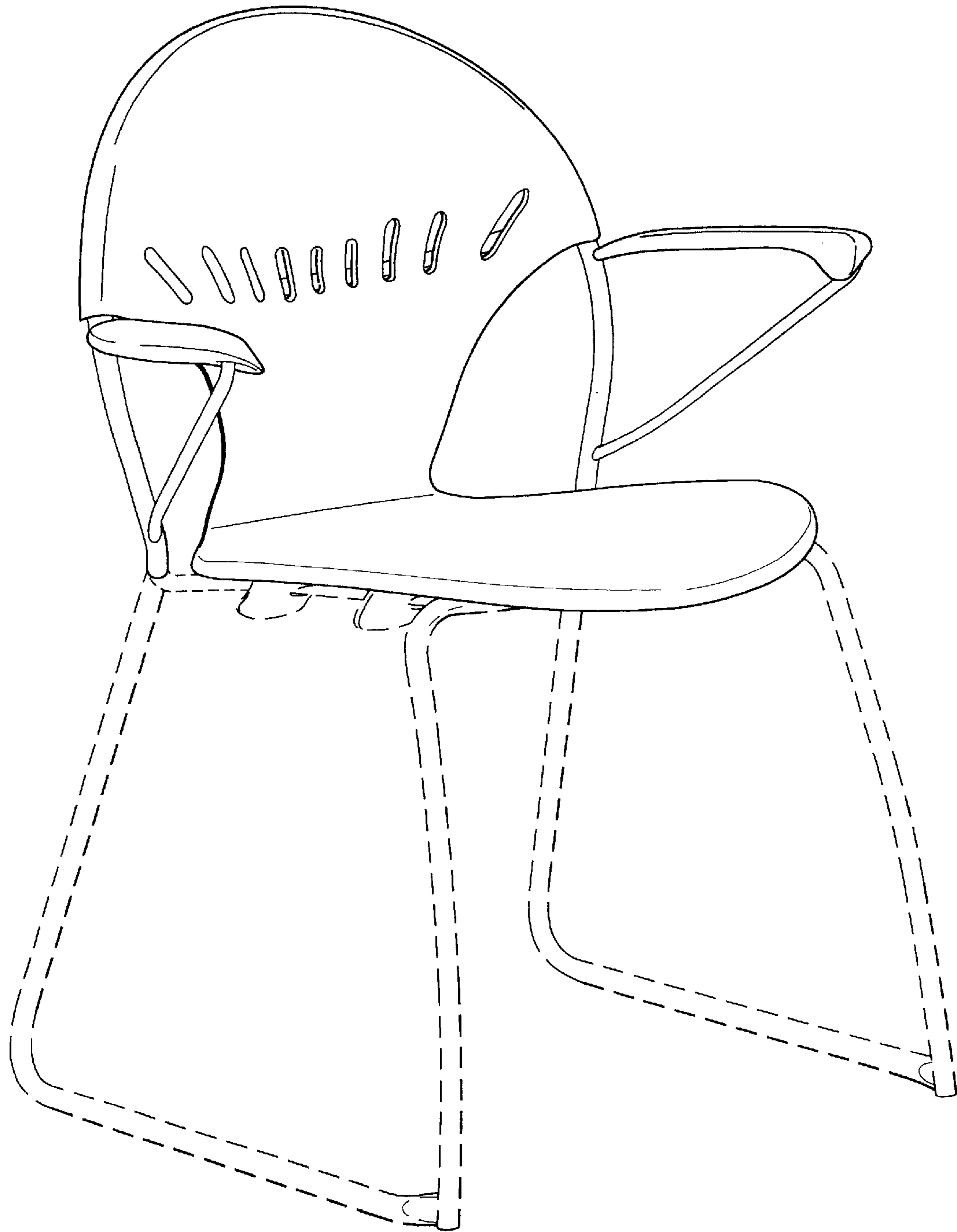
**Fig. 4**



**Fig. 5**

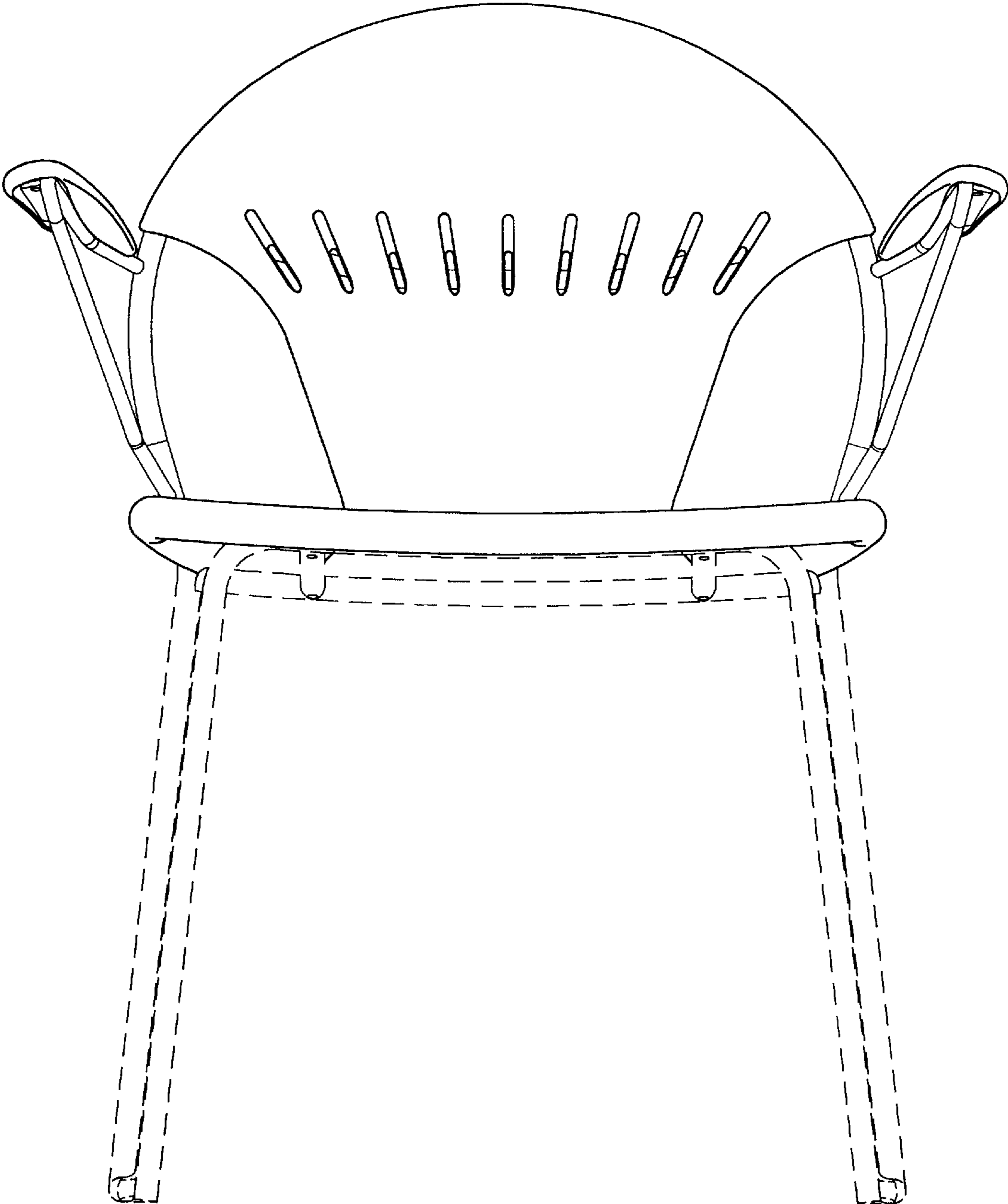


**Fig. 6**



**Fig. 7**





**Fig. 8**