

US00D498094S

(12) **United States Design Patent**
Darafeev

(10) **Patent No.:** **US D498,094 S**

(45) **Date of Patent:** **** Nov. 9, 2004**

(54) **FRAME FOR THE SEAT AND BACKREST
PORTION FOR CHAIRS, BARSTOOLS, OR
THE LIKE**

D313,514 S * 1/1991 Zakharov D6/360
D458,469 S * 6/2002 Schweikarth et al. D6/379
D482,539 S * 11/2003 Darafeev D6/360

(75) Inventor: **George Darafeev**, Alta Loma, CA (US)

* cited by examiner

(73) Assignee: **Mikhail Darafeev, Inc.**, Chino, CA
(US)

Primary Examiner—Gary D. Watson

(74) *Attorney, Agent, or Firm*—Jones Day

(**) Term: **14 Years**

(57) **CLAIM**

(21) Appl. No.: **29/181,596**

The ornamental design for a frame for the seat and backrest portion for chairs, barstools, or the like, as shown and described.

(22) Filed: **May 13, 2003**

DESCRIPTION

(51) **LOC (7) Cl.** **06-01**

(52) **U.S. Cl.** **D6/500; D6/502**

(58) **Field of Search** D6/334, 335, 360,
D6/374, 379, 380, 500, 501, 502; 297/445.1,
461

FIG. 1 is a perspective view of a frame for the seat and backrest portion for chairs, barstools, or the like;

FIG. 2 is a side view of FIG. 1, the opposite side being a mirror image thereof;

FIG. 3 is a top view thereof;

FIG. 4 is a front view thereof; and,

FIG. 5 is a rear view thereof.

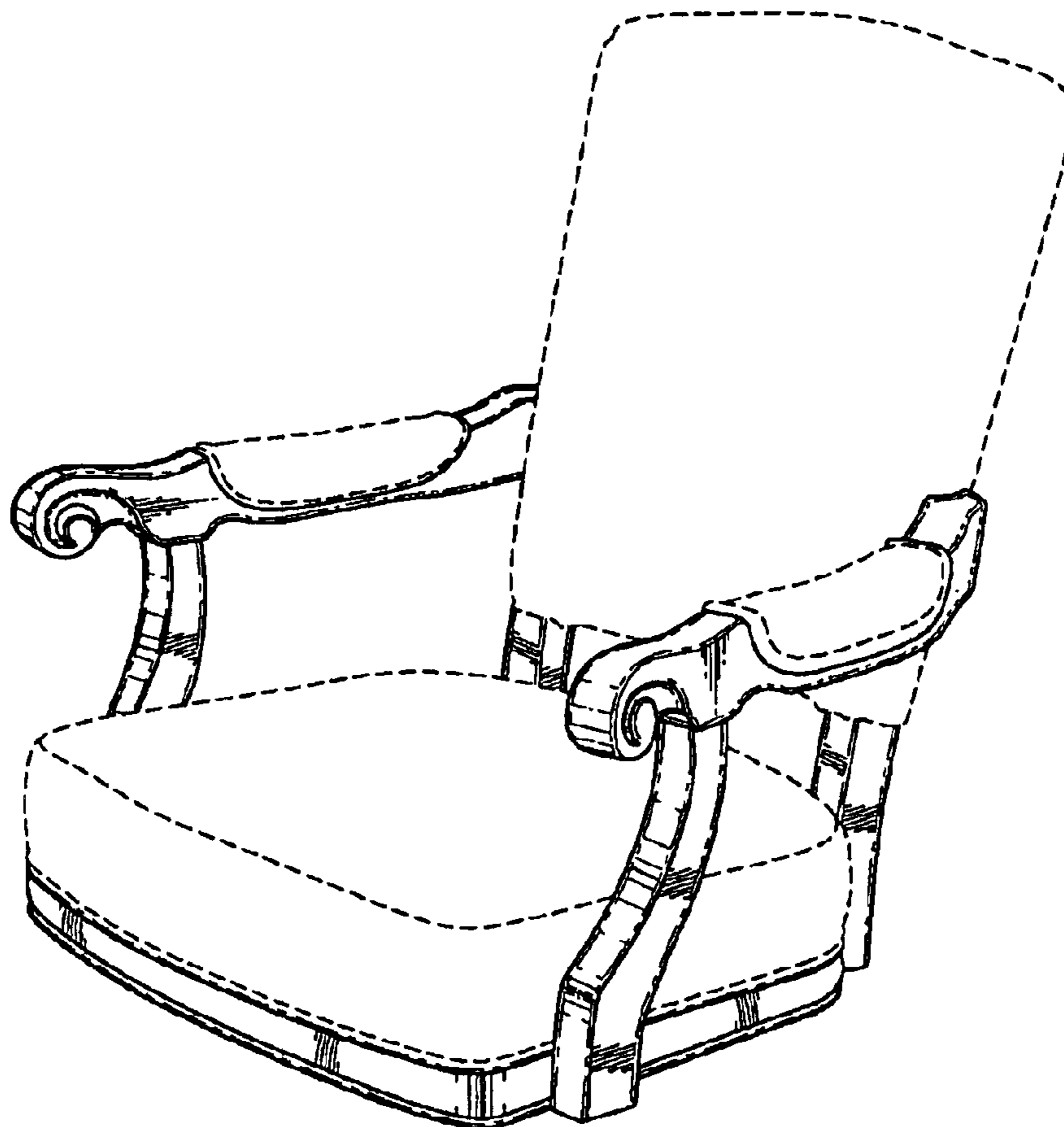
The broken line showing of environment is for illustrative purposes only and forms no part of the claimed design.

(56) **References Cited**

U.S. PATENT DOCUMENTS

D76,860 S * 11/1928 Faris D6/379
D294,434 S * 3/1988 Zakharov D6/360

1 Claim, 5 Drawing Sheets



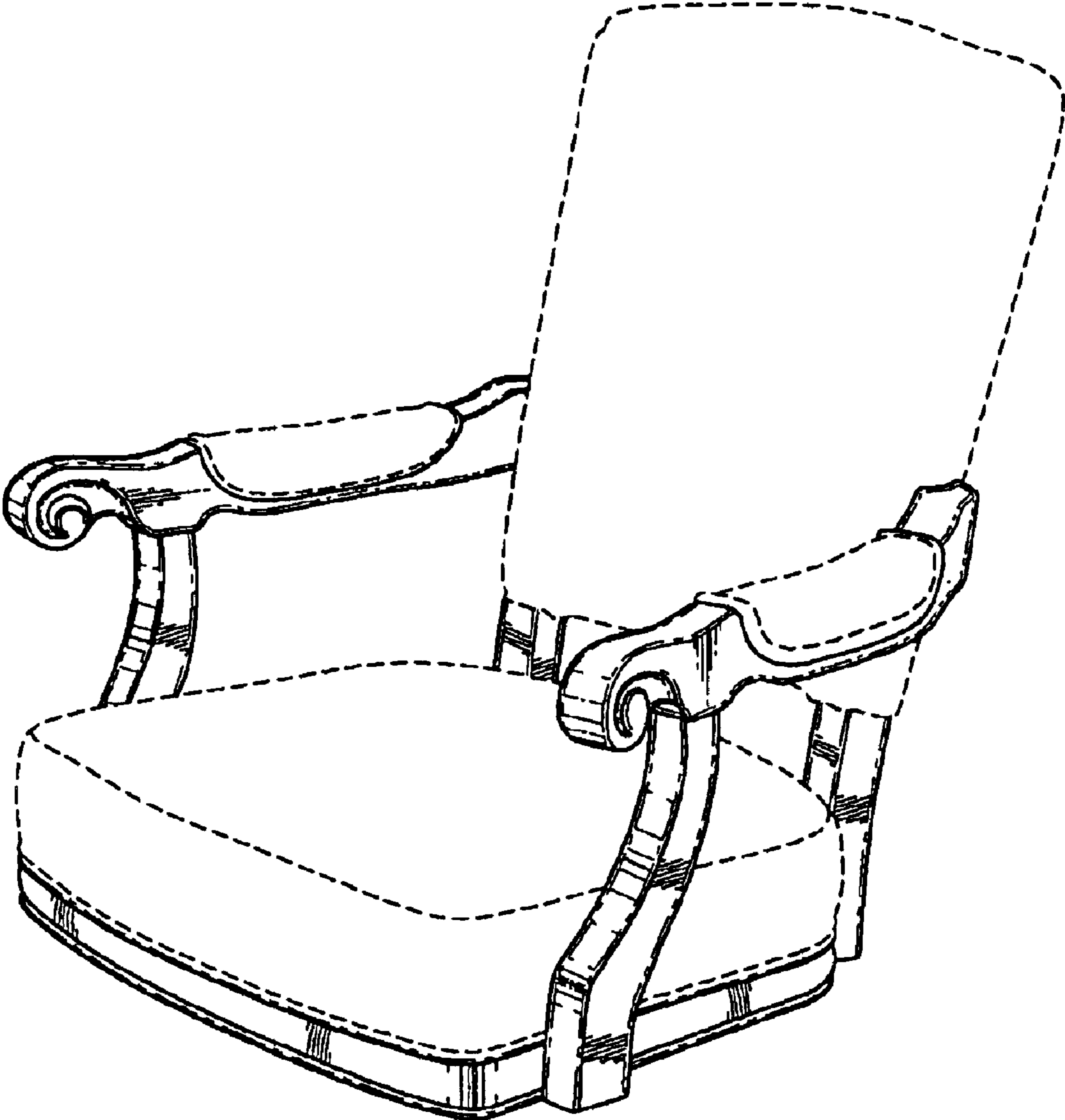


FIG. 1

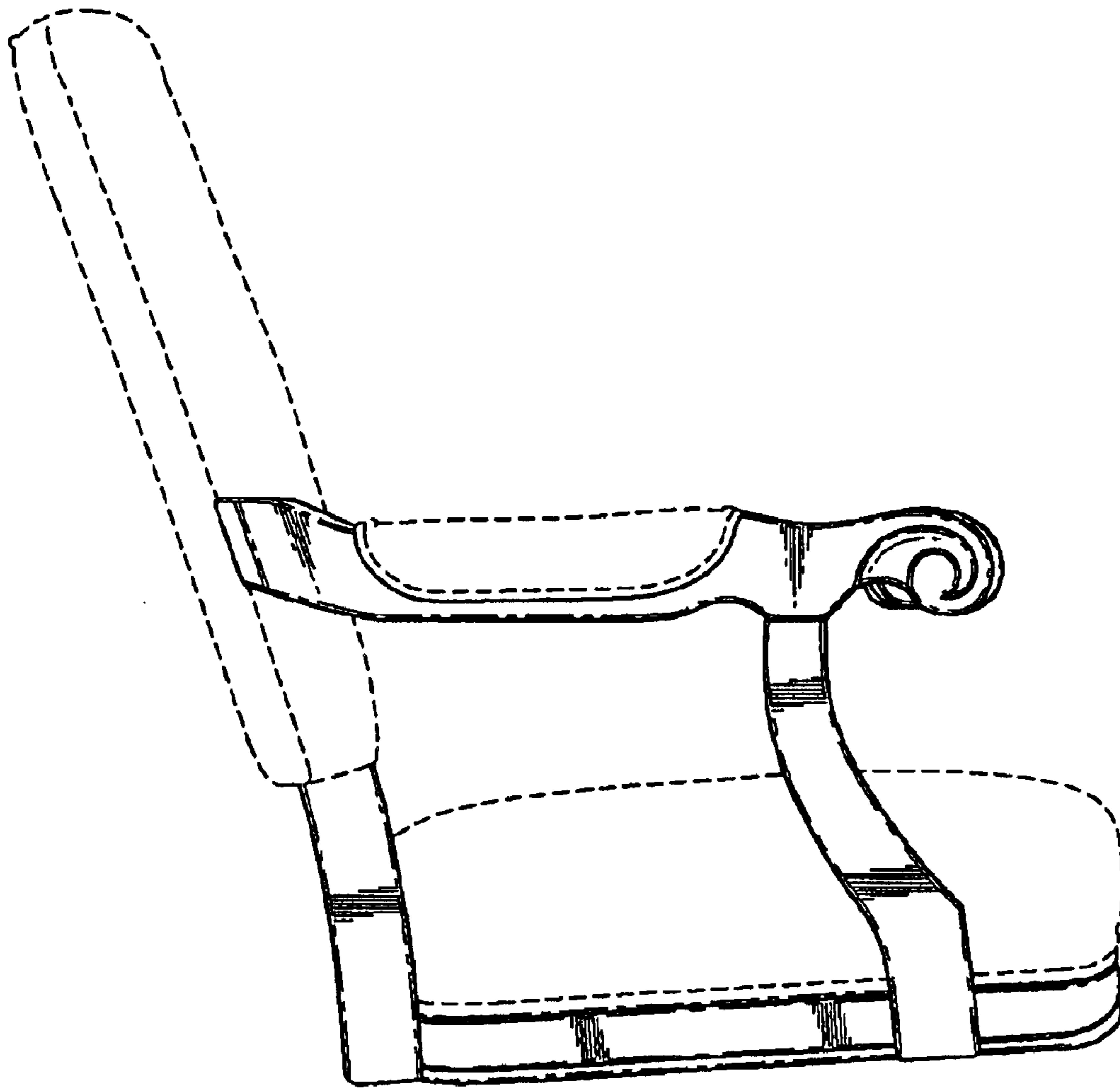


FIG. 2

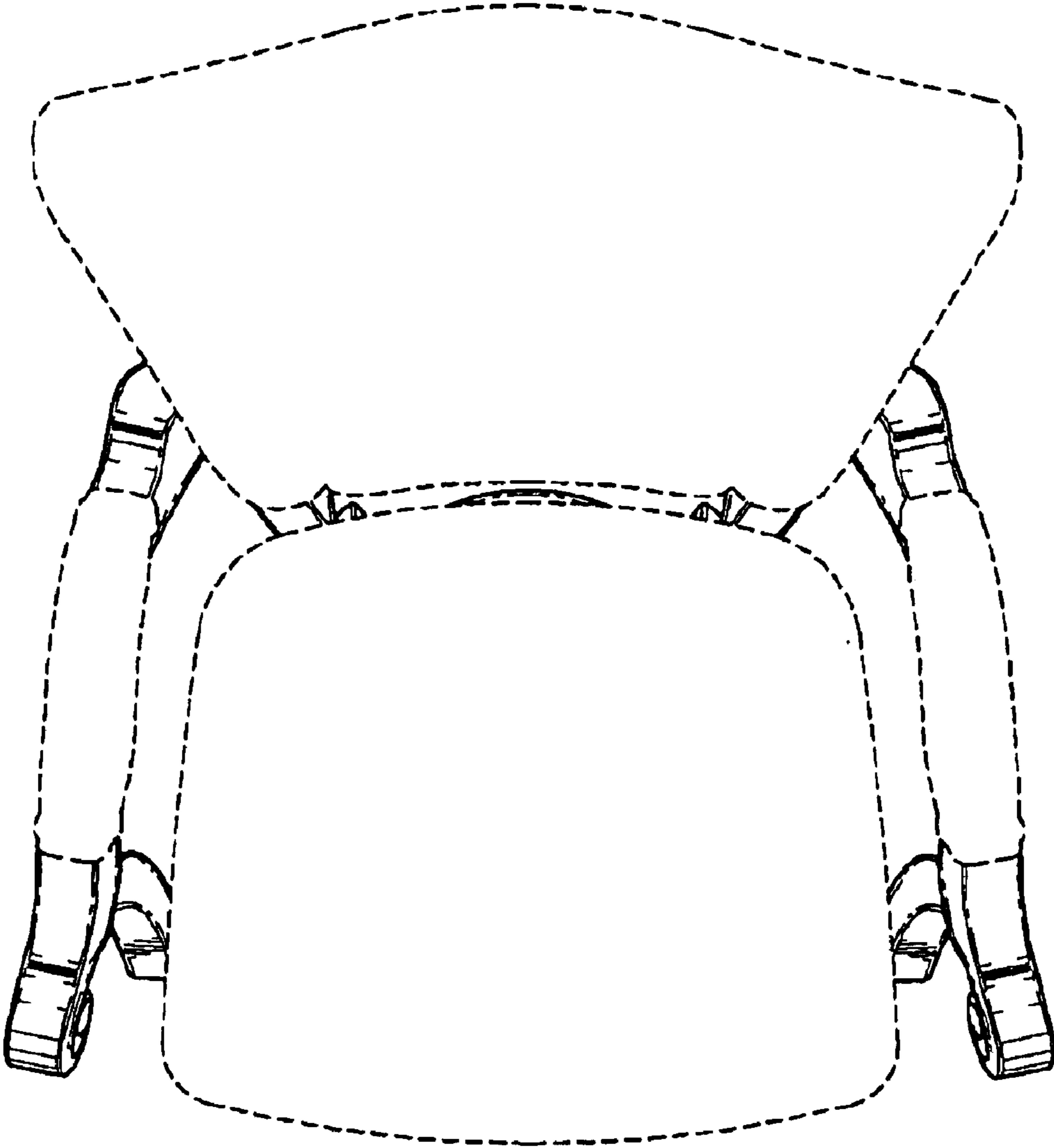


FIG. 3

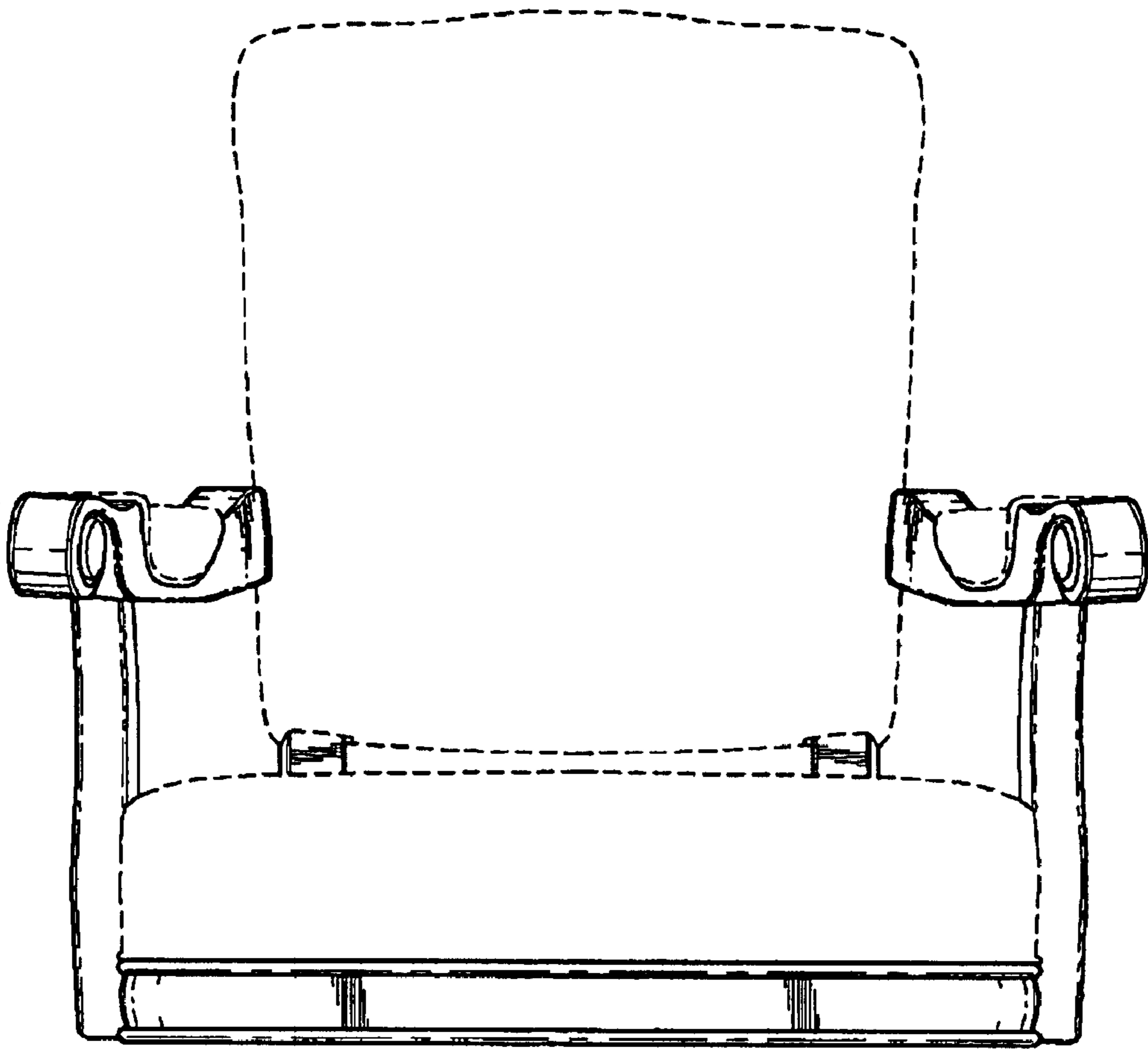


FIG. 4

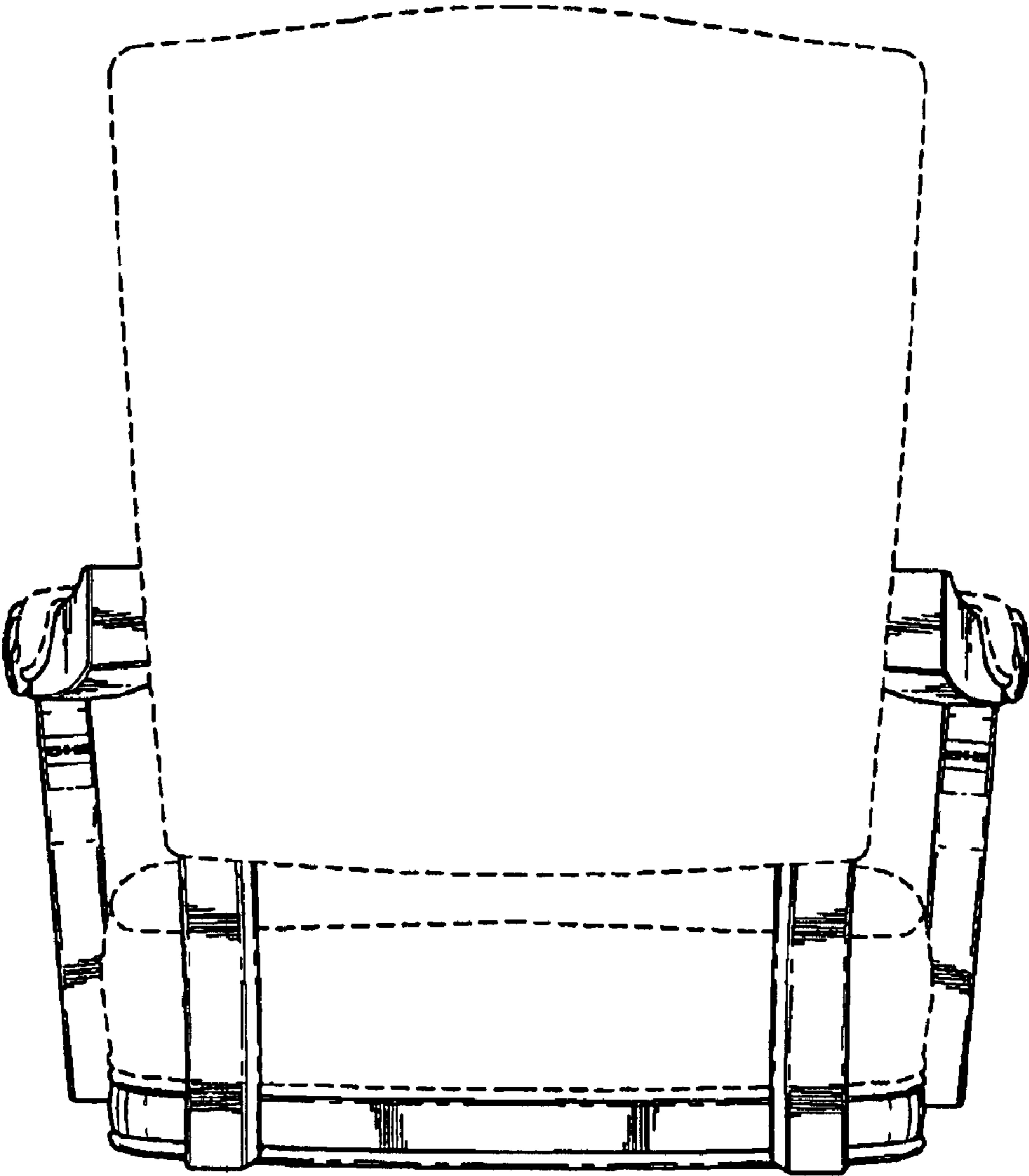


FIG. 5