

US00D498088S

(12) **United States Design Patent**  
**Tsang**

(10) **Patent No.:** **US D498,088 S**

(45) **Date of Patent:** **\*\* Nov. 9, 2004**

(54) **FOLDABLE TABLE**

(75) **Inventor:** **Chi Shing Tsang, Hong Kong (HK)**

(73) **Assignee:** **Union Rich Plastic Factory Limited, Shatin (HK)**

(\*\*) **Term:** **14 Years**

(21) **Appl. No.:** **29/188,467**

(22) **Filed:** **Aug. 19, 2003**

(51) **LOC (7) Cl.** ..... **06-03**

(52) **U.S. Cl.** ..... **D6/484; D6/429; D6/487**

(58) **Field of Search** ..... **D6/480-489, 495, D6/499, 497, 451, 429; 108/150, 153.1, 155, 156, 157.1, 33, 161.25, 115, 116; 248/188, 436, 188.1, 188.8**

(56) **References Cited**

**U.S. PATENT DOCUMENTS**

1,185,568	A	*	5/1916	Zeunert	.....	108/115
4,177,737	A	*	12/1979	Brickman	.....	108/11
4,603,642	A	*	8/1986	Brickman	.....	108/25
6,026,751	A	*	2/2000	Tsai	.....	108/34
6,199,489	B1	*	3/2001	Tsai	.....	108/115
6,505,565	B1	*	1/2003	Byung et al.	.....	108/115

\* cited by examiner

*Primary Examiner*—Janice E. Seeger

(74) *Attorney, Agent, or Firm*—Alix, Yale & Ristas, LLP

(57) **CLAIM**

The ornamental design for a foldable table, as shown and described.

**DESCRIPTION**

FIG. 1 is a front perspective view of the foldable table showing my new design;

FIG. 2 is a front view of the foldable table of FIG. 1, the opposite rear view being identical;

FIG. 3 is a left side view of the foldable table of FIG. 1, the opposite right side view being identical;

FIG. 4 is a top plan view of the foldable table of FIG. 1;

FIG. 5 is a bottom plan view of the foldable table of FIG. 1;

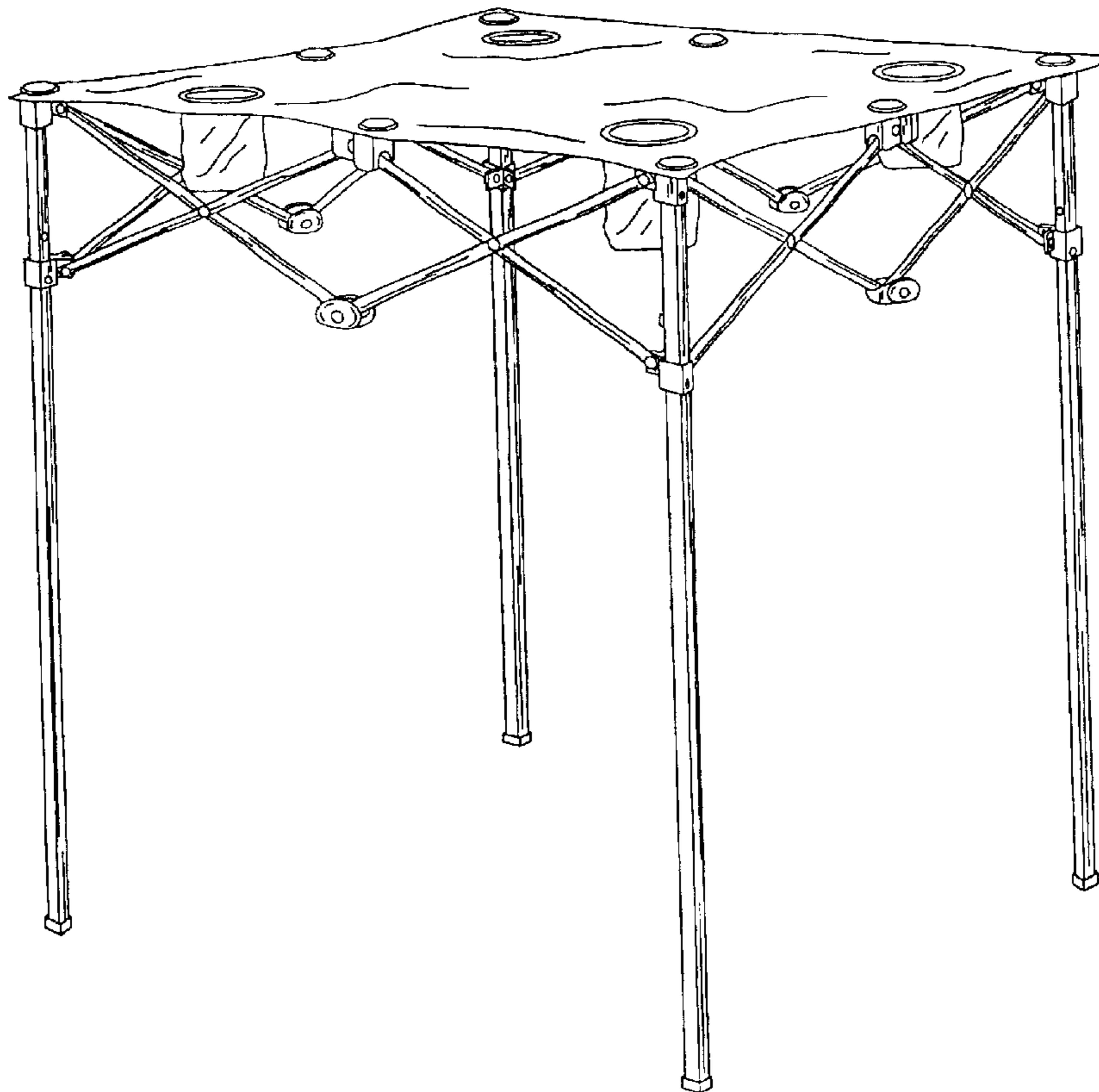
FIG. 6 is a front view of the foldable table of FIG. 1 in a folded position, the opposite rear view in the folded position being identical;

FIG. 7 is a left side view of the foldable table of FIG. 1 in a folded position, the opposite right side view in the folded position being identical;

FIG. 8 is a top plan view of the foldable table of FIG. 1 in a folded position; and,

FIG. 9 is a bottom plan view of the foldable table of FIG. 1 in a folded position.

**1 Claim, 9 Drawing Sheets**



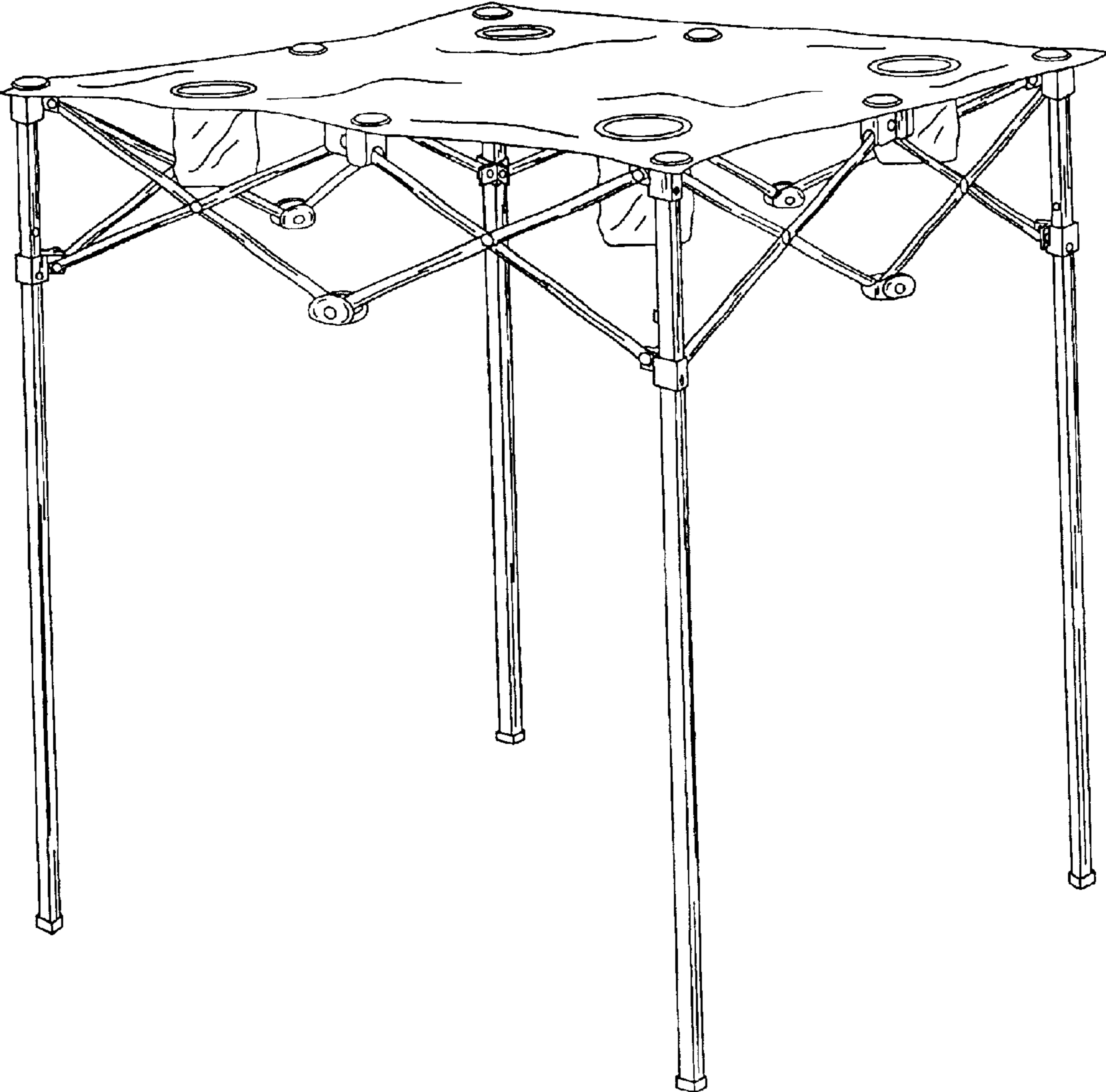


FIG. 1

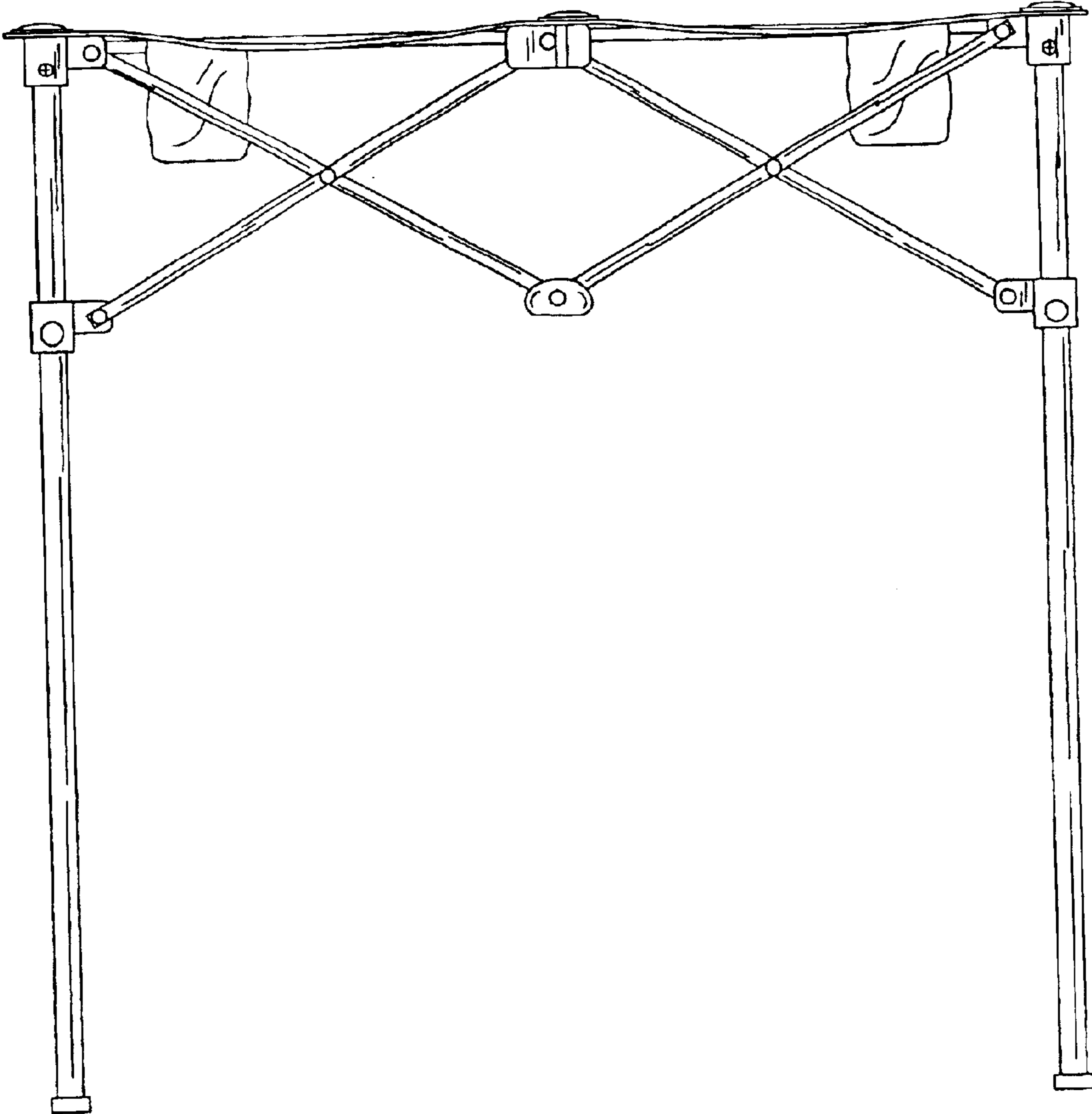


FIG. 2

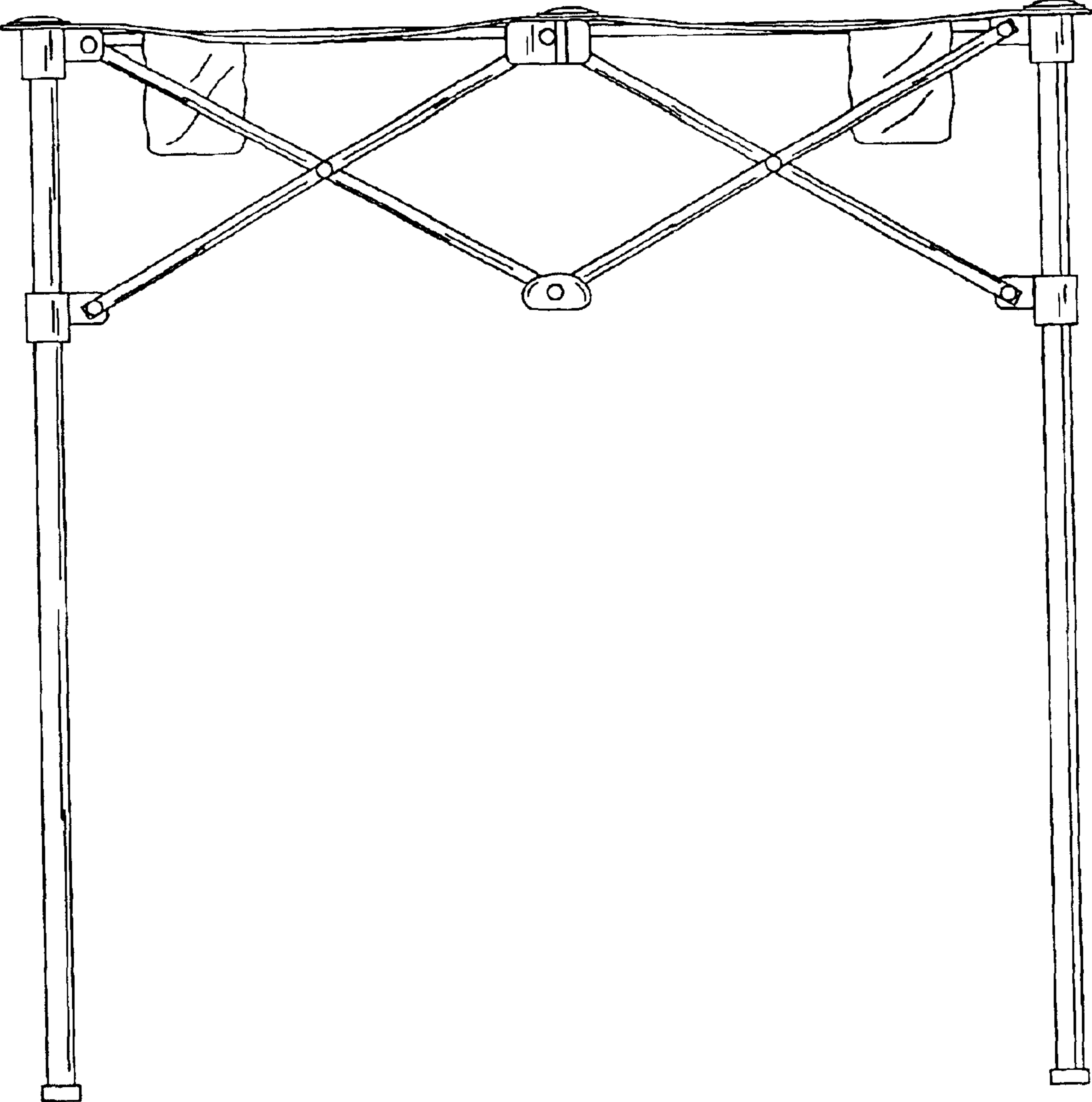


FIG. 3

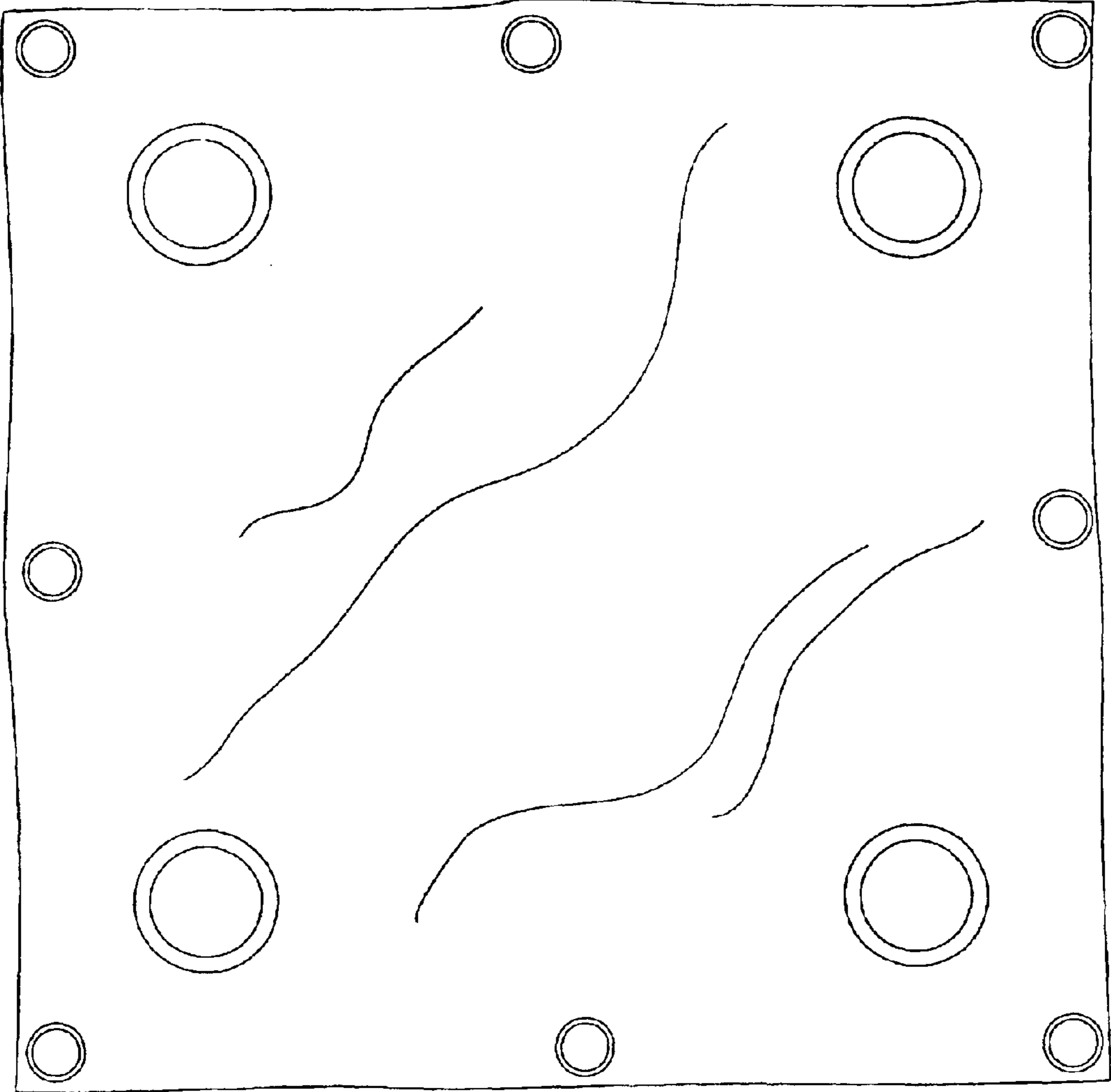


FIG. 4

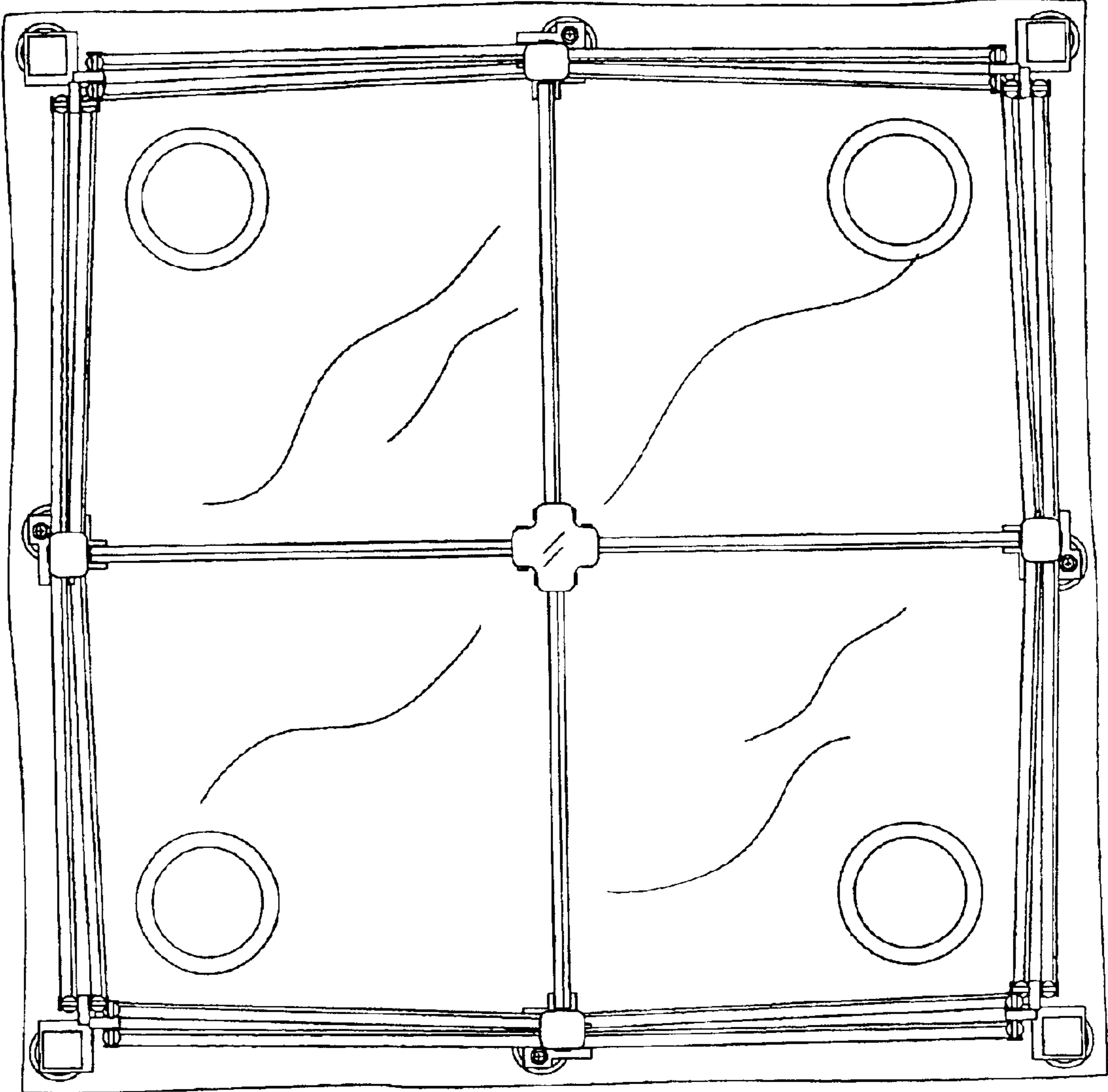


FIG. 5

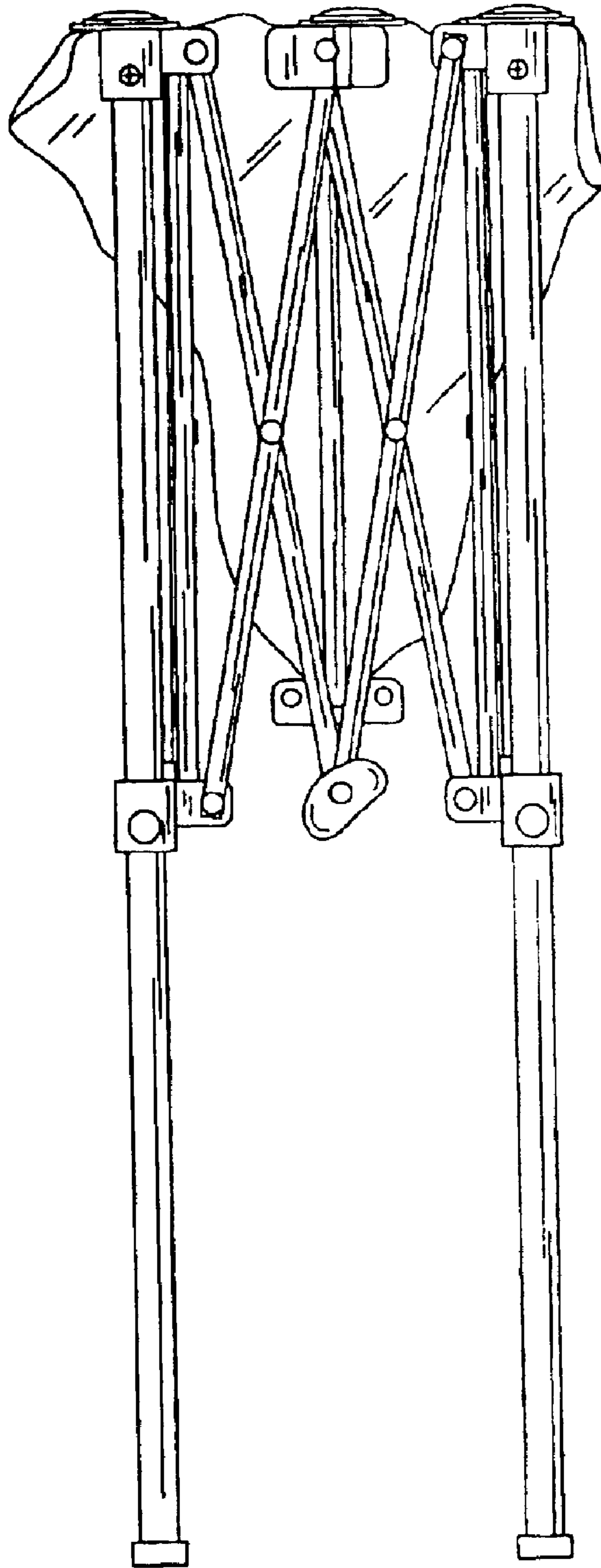


FIG. 6

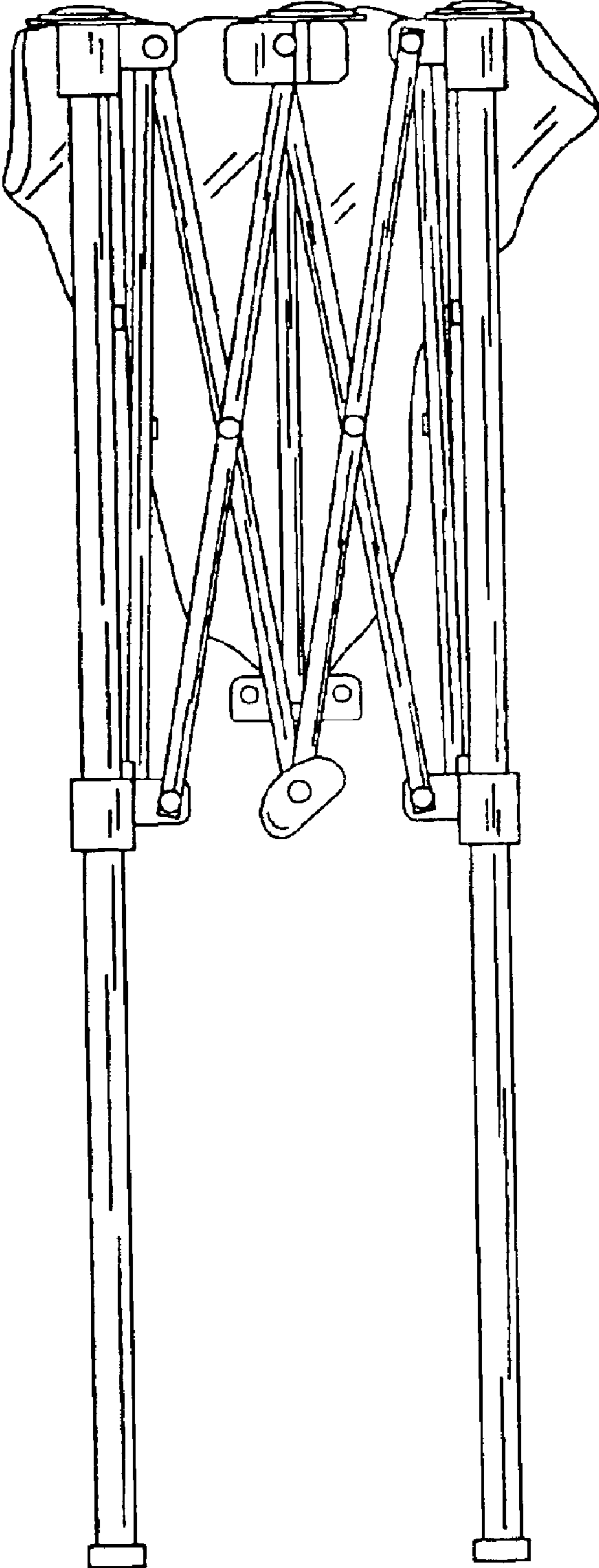


FIG. 7



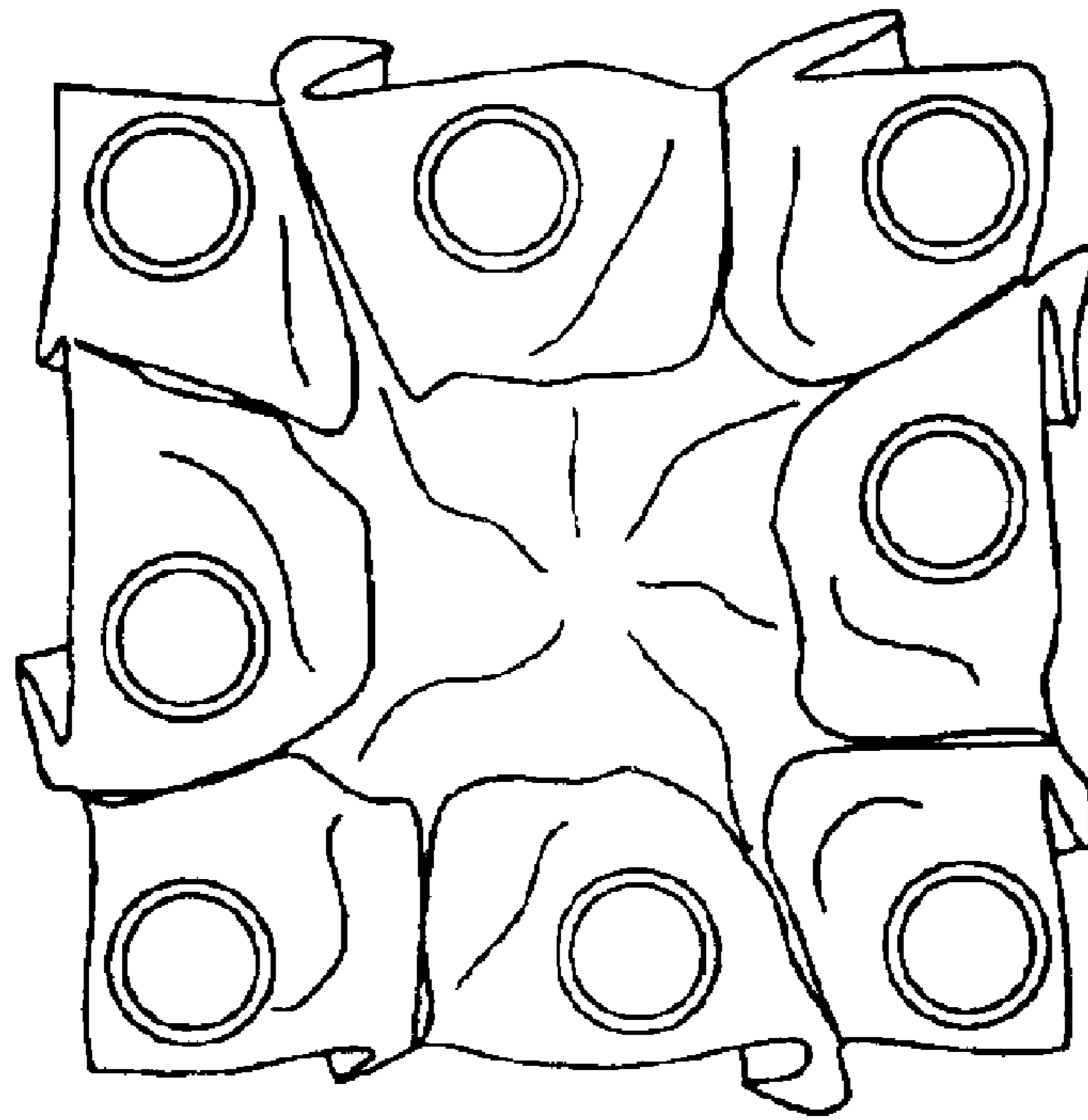


FIG. 8

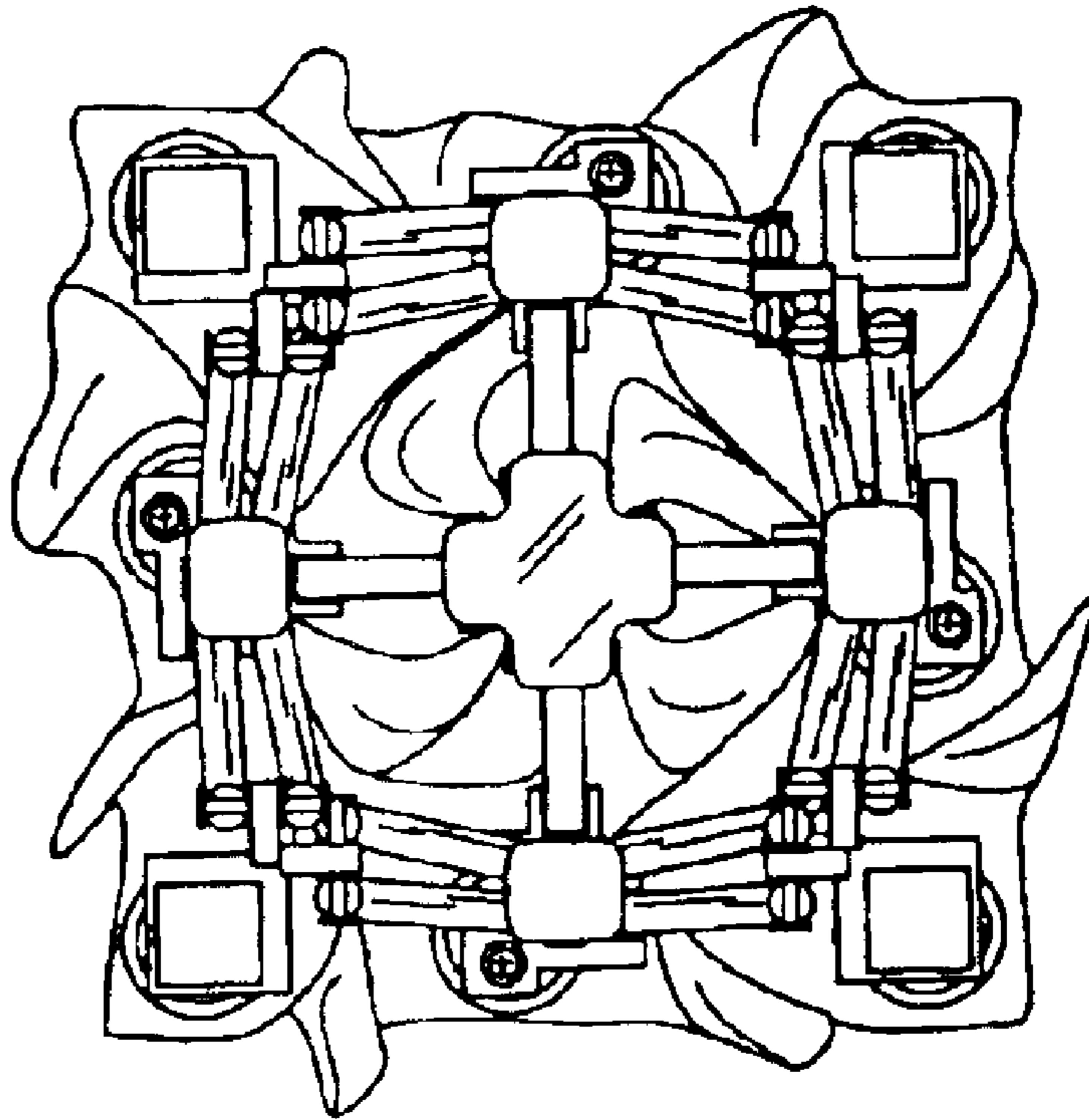


FIG. 9