



US00D498087S

(12) **United States Design Patent** (10) **Patent No.:** **US D498,087 S**
Stein (45) **Date of Patent:** **** Nov. 9, 2004**

(54) **DISPLAY PANEL ARRAY**

(57) **CLAIM**

(76) **Inventor:** **Allen R. Stein**, 6125 Weatherly Dr.,
Atlanta, GA (US) 30328

The ornamental design for a display panel array, as shown
and described.

(**) **Term:** **14 Years**

DESCRIPTION

(21) **Appl. No.:** **29/195,008**

(22) **Filed:** **Dec. 4, 2003**

Related U.S. Application Data

(63) Continuation-in-part of application No. 10/072,032, filed on
Feb. 7, 2002.

(60) Provisional application No. 60/318,422, filed on Sep. 10,
2001.

(51) **LOC (7) Cl.** **06-04**

(52) **U.S. Cl.** **D6/454; D6/409**

(58) **Field of Search** D6/301, 409, 410,
D6/449, 454, 455, 456, 457, 459, 460,
463, 464, 468, 626; 211/13.1, 45, 47, 48,
49.1, 50-58, 96, 128.1, 129.1, 163, 168,
169; 40/376, 492, 747; 206/425

FIG. 1 is a perspective view of an display panel array
according to a first embodiment of the design.

FIG. 2 is a front view of the display panel array of FIG. 1.

FIG. 3 is a side view of the display panel array of FIG. 1.

FIG. 4 is a rear view of the display panel array of FIG. 1.

FIG. 5 is a top view of the display panel array of FIG. 1.

FIG. 6 is a bottom view of the display panel array of FIG.
1.

FIG. 7 is a perspective view of the display panel array
according to a second embodiment of the design.

FIG. 8 is a front view of the display panel array of FIG. 7.

FIG. 9 is a top view of the display panel array of FIG. 7.

FIG. 10 is a bottom view of the display panel array of FIG.
7.

FIG. 11 is a perspective view of the display panel array
according to a third embodiment of the design.

FIG. 12 is a front view of the display panel array of FIG. 11.

FIG. 13 is a top view of the display panel array of FIG. 11.

FIG. 14 is a perspective view of the display panel array
according to a fourth embodiment of the design.

FIG. 15 is a front view of the display panel array of FIG. 14;
and,

FIG. 16 is a top view of the display panel array of FIG. 14.

Side, rear and/or bottom views of subsequent embodiments
are omitted as duplicative, in that they would be substan-
tially similar to the respective views of the embodiment of
FIG. 1. Structure shown in broken lines is not a part of the
claimed design, but is included to show the environment in
which the array of panels is typically associated.

The stipple shading shown in the drawings represents carpet
and is understood to be repeated throughout the circum-
scribed areas.

(56) **References Cited**

U.S. PATENT DOCUMENTS

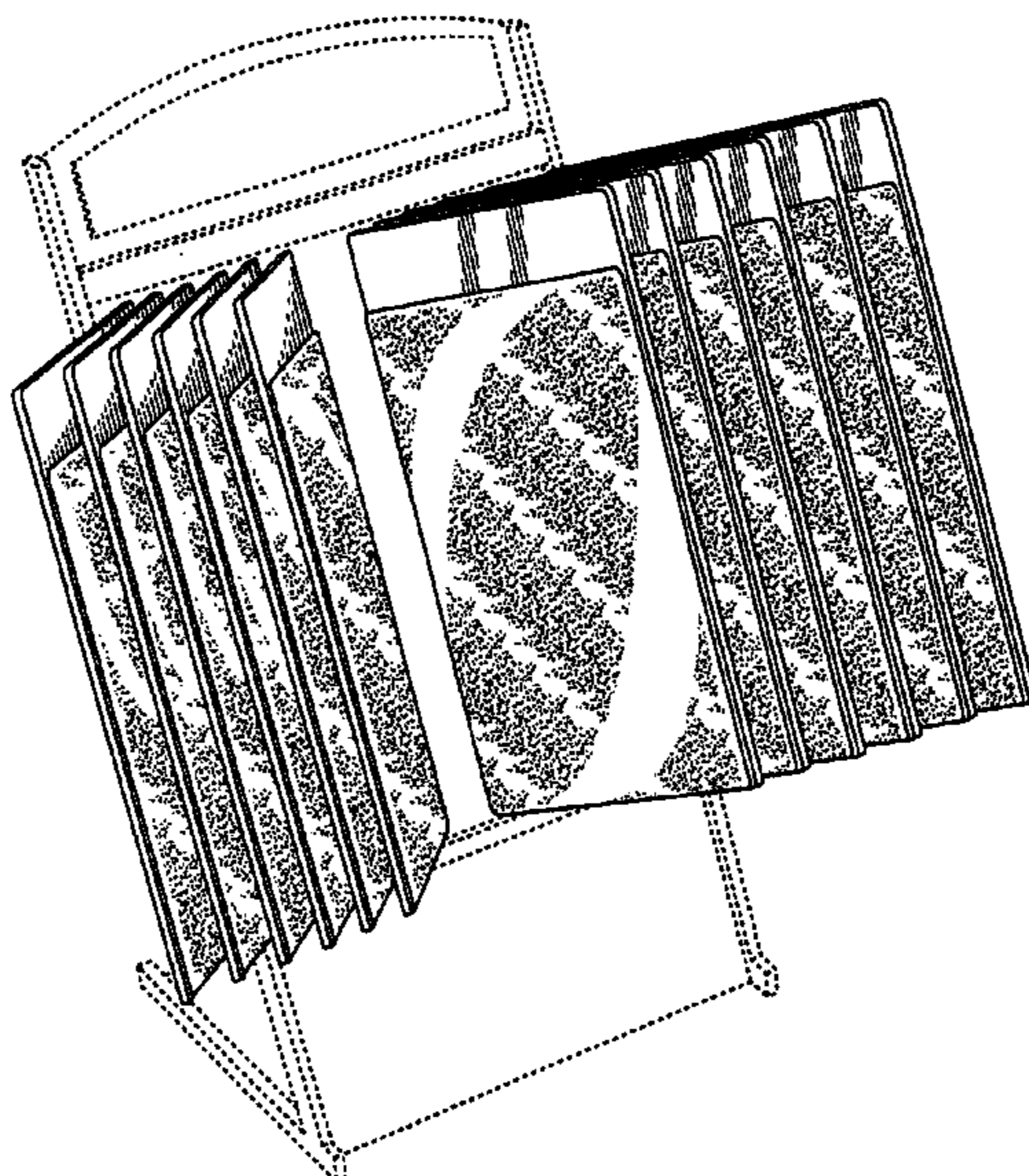
943,821	A	*	12/1909	Feldmann, Jr.	211/96
1,251,253	A	*	12/1917	Lough	211/169
D162,084	S	*	2/1951	Robinson, Jr.	D6/454
3,235,093	A		2/1966	Eisbart et al.		
3,514,883	A	*	6/1970	Albright	40/492
3,583,570	A		6/1971	Black		
3,965,583	A		6/1976	Price		
D249,000	S	*	8/1978	Simmons	D6/454
4,128,176	A		12/1978	Green		
4,542,827	A		9/1985	Pilzer		

(List continued on next page.)

Primary Examiner—Mimosa De

(74) *Attorney, Agent, or Firm*—Gardner Groff, P.C.

1 Claim, 13 Drawing Sheets



US D498,087 S

Page 2

U.S. PATENT DOCUMENTS

4,682,697	A	*	7/1987	Cohen	211/45	5,582,888	A	12/1996	Volkert			
D304,397	S	*	11/1989	Wright et al.	D6/454	D392,816	S	*	3/1998	Franklin et al.	D6/454	
5,027,956	A		7/1991	Lotufo			6,068,903	A	5/2000	Volkert			
5,056,248	A		10/1991	Blanchard			6,237,782	B1	5/2001	Hunn			
5,078,670	A		1/1992	Volkert			6,260,296	B1	*	7/2001	Carney, Jr.	40/747	
5,111,626	A		5/1992	Fortune			6,547,087	B2	*	4/2003	Accatino	211/169
5,181,901	A		1/1993	Volkert			6,678,978	B2	*	1/2004	Maier-Hunke	40/376
5,346,455	A		9/1994	Volkert			2001/0008223	A1	*	7/2001	Accatino	211/169
5,557,039	A		9/1996	Annis et al.			2003/0047528	A1	*	3/2003	Stein	211/169

* cited by examiner

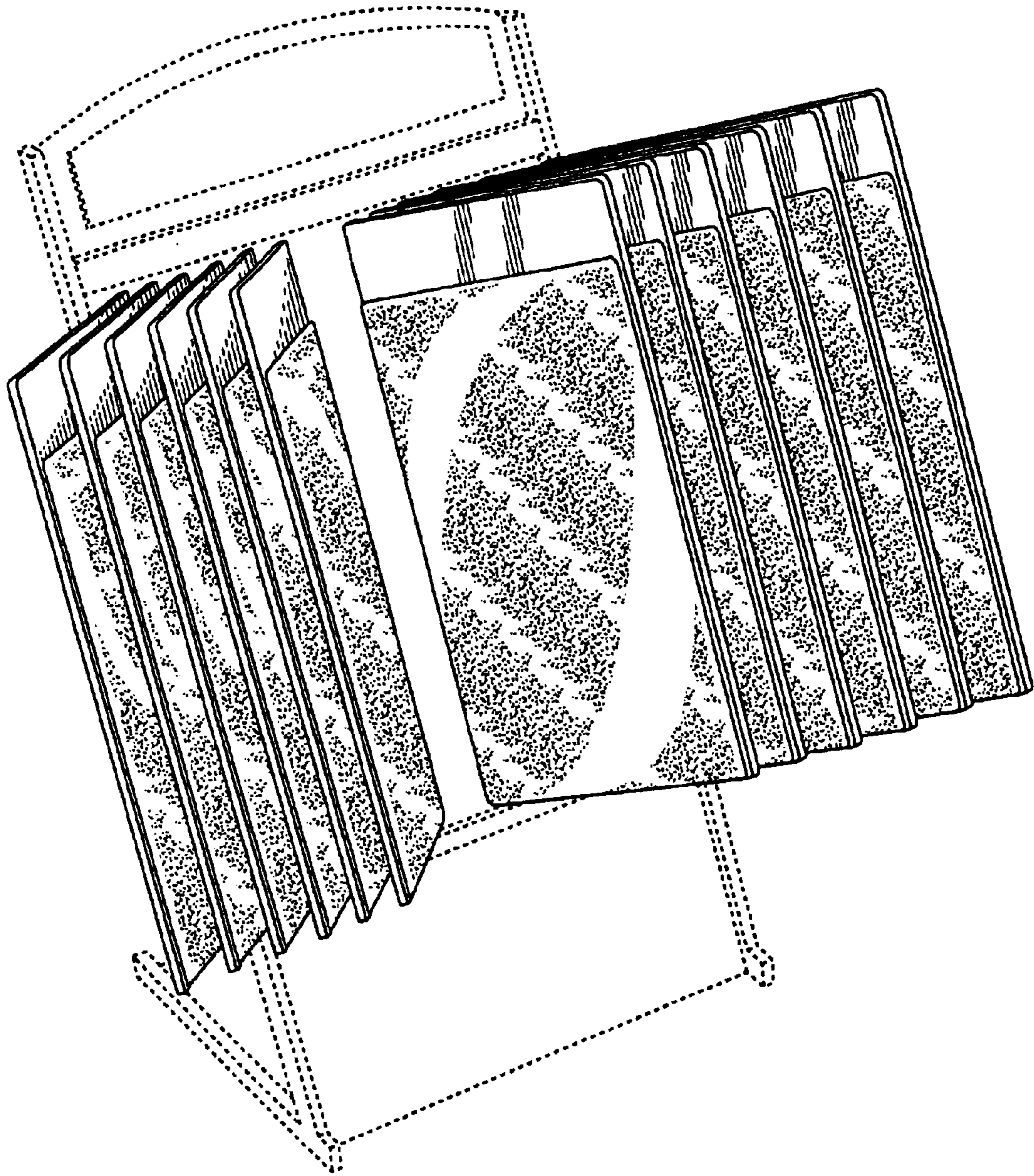


Fig. 1

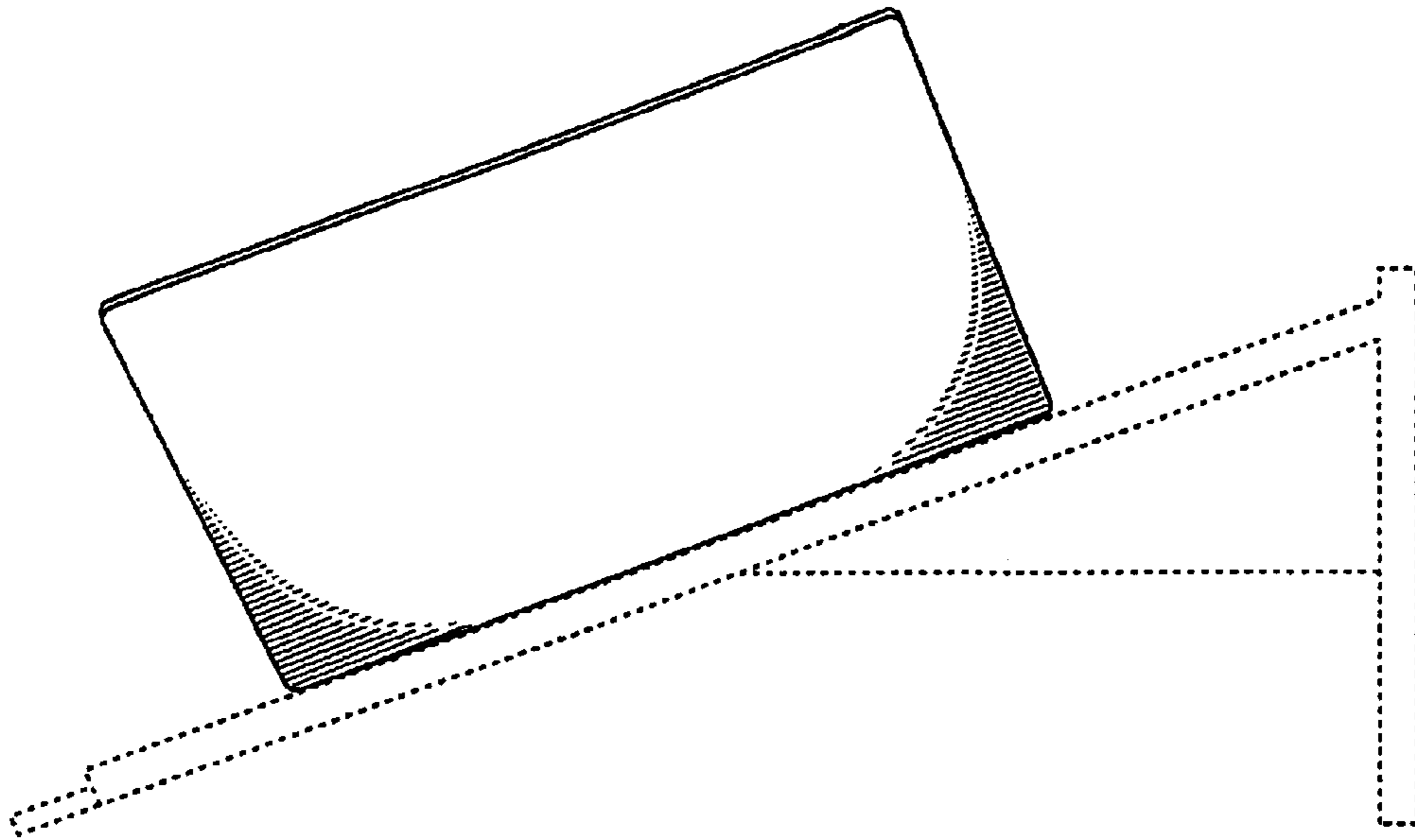


Fig. 3

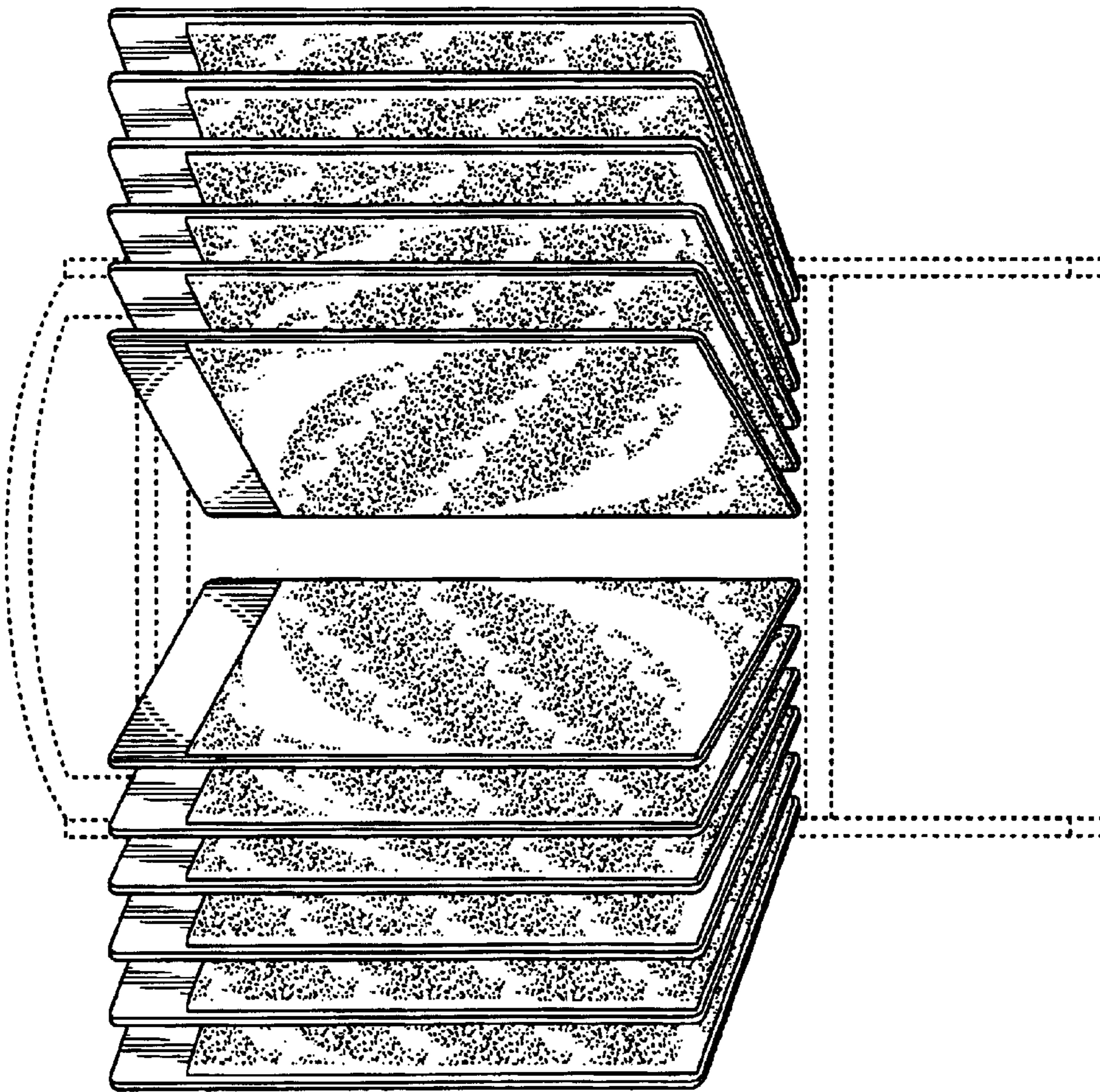


Fig. 2

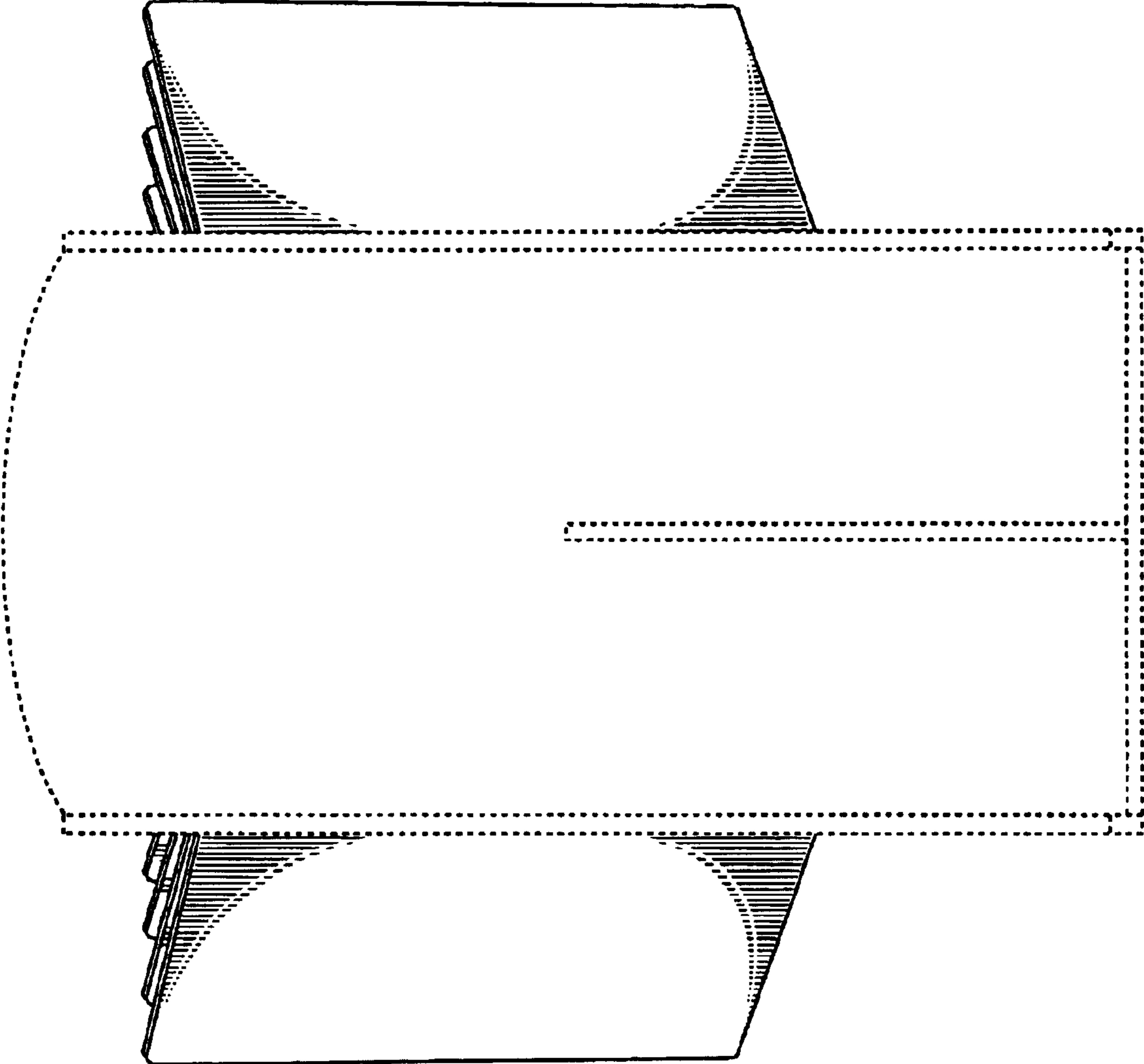


Fig. 4

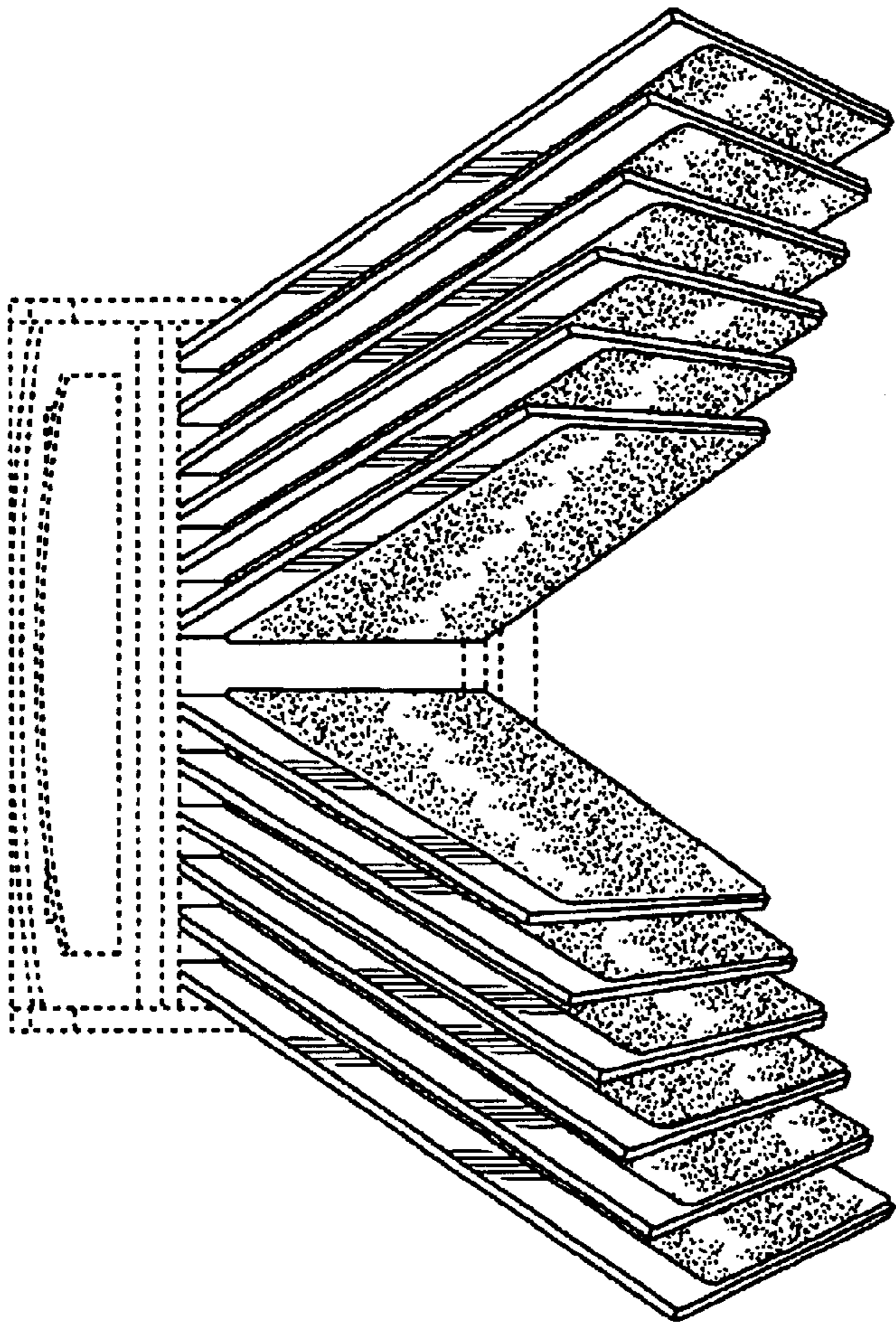


Fig. 5

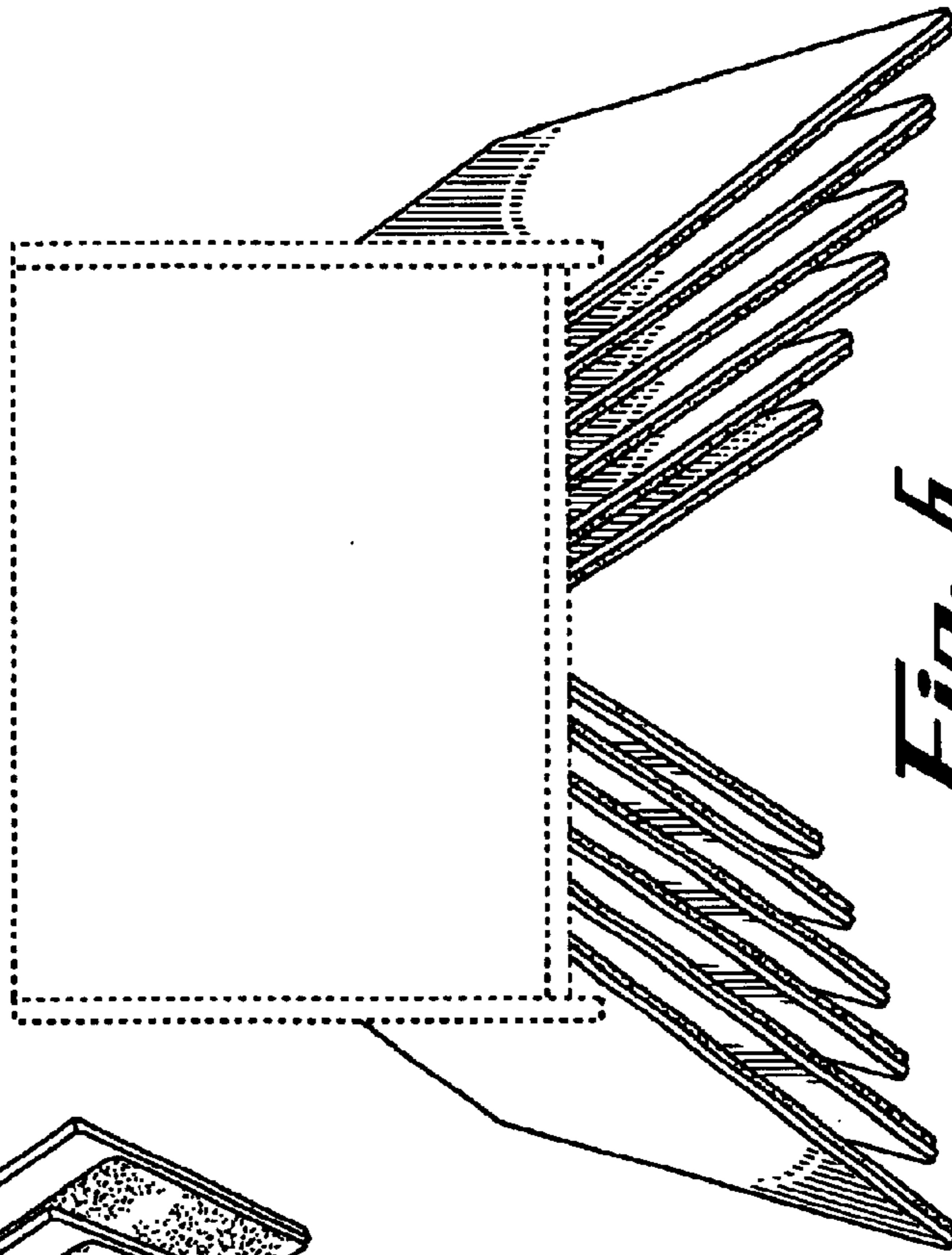


Fig. 6

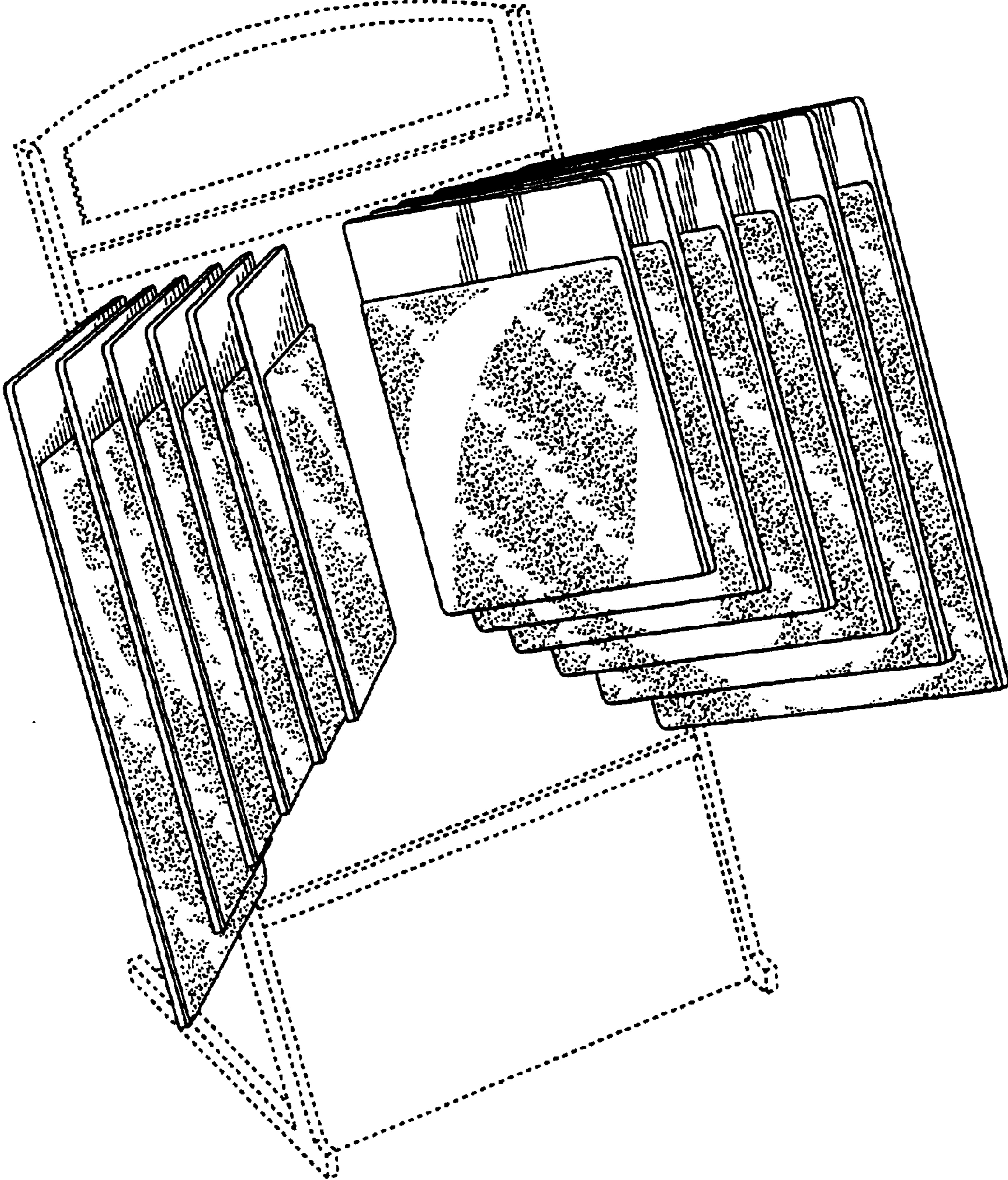


Fig. 1

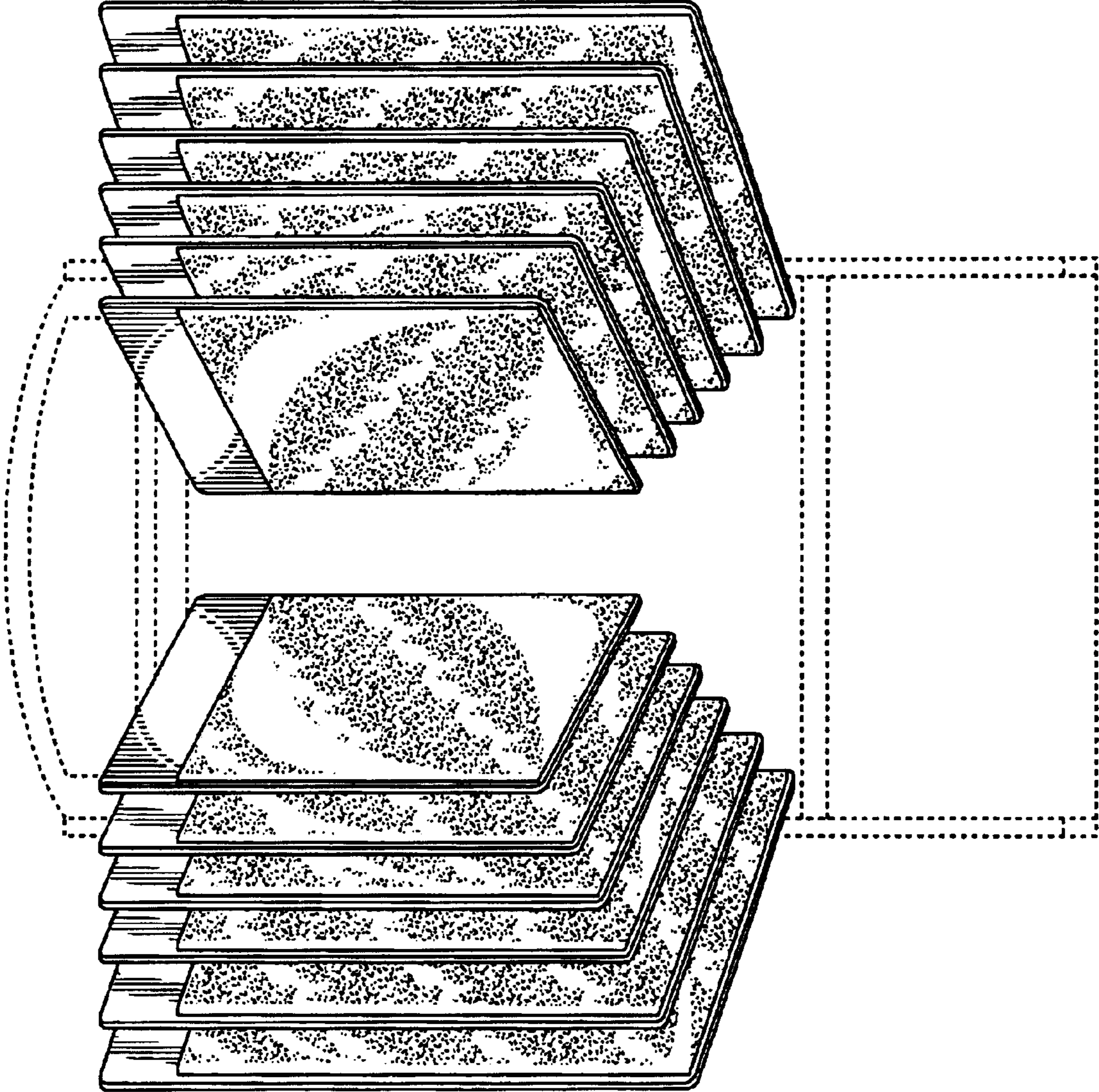


Fig. 8

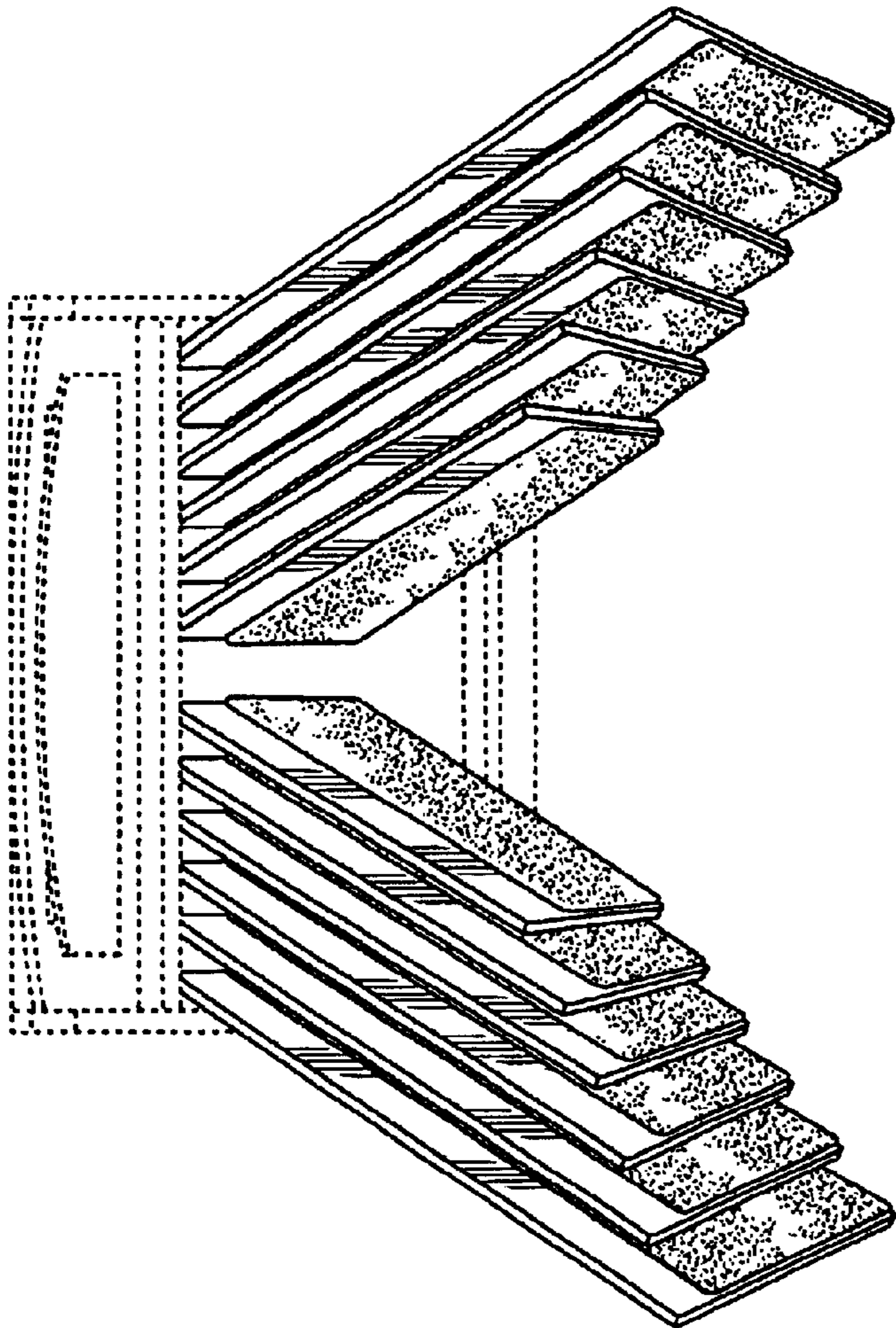


Fig. 9

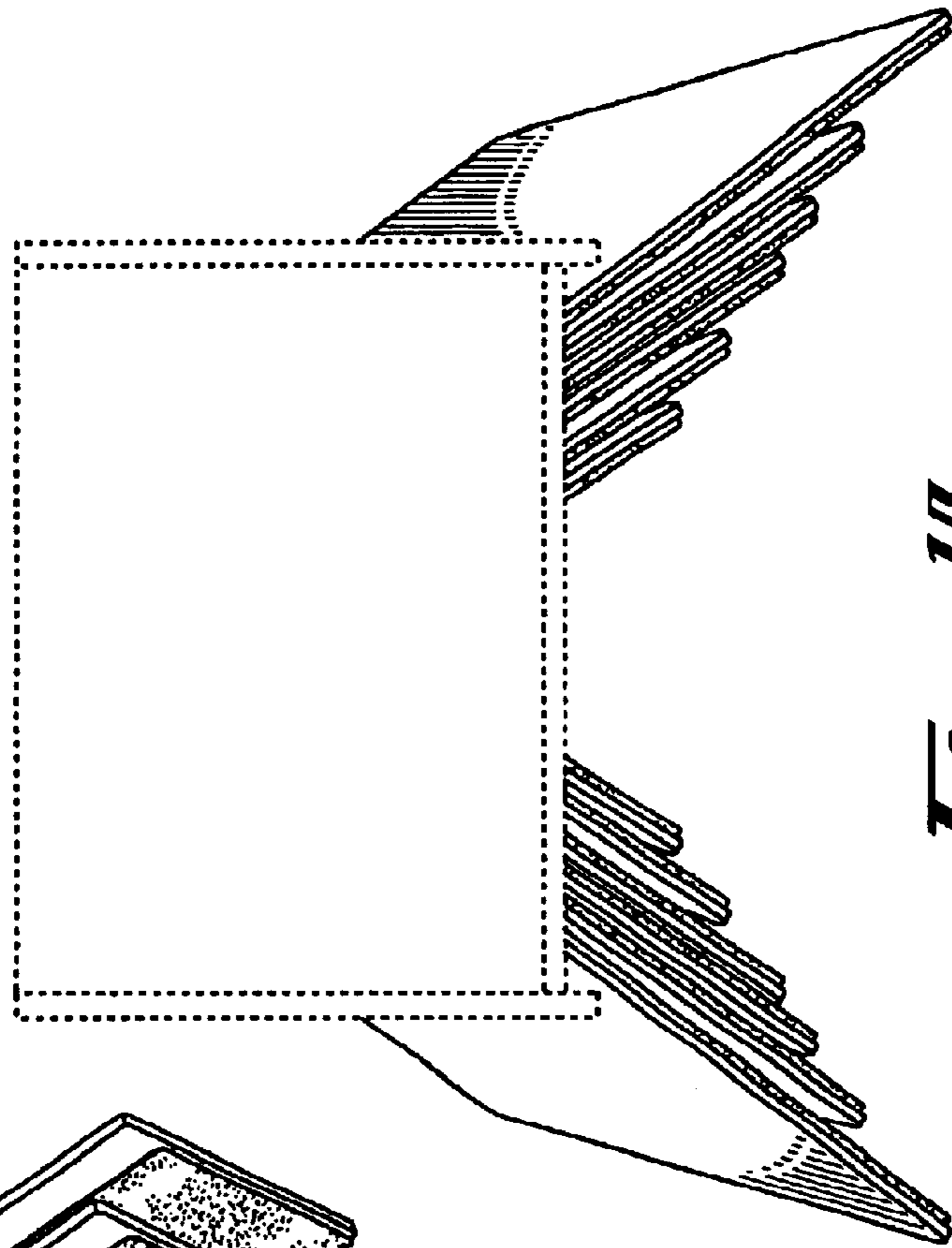


Fig. 10

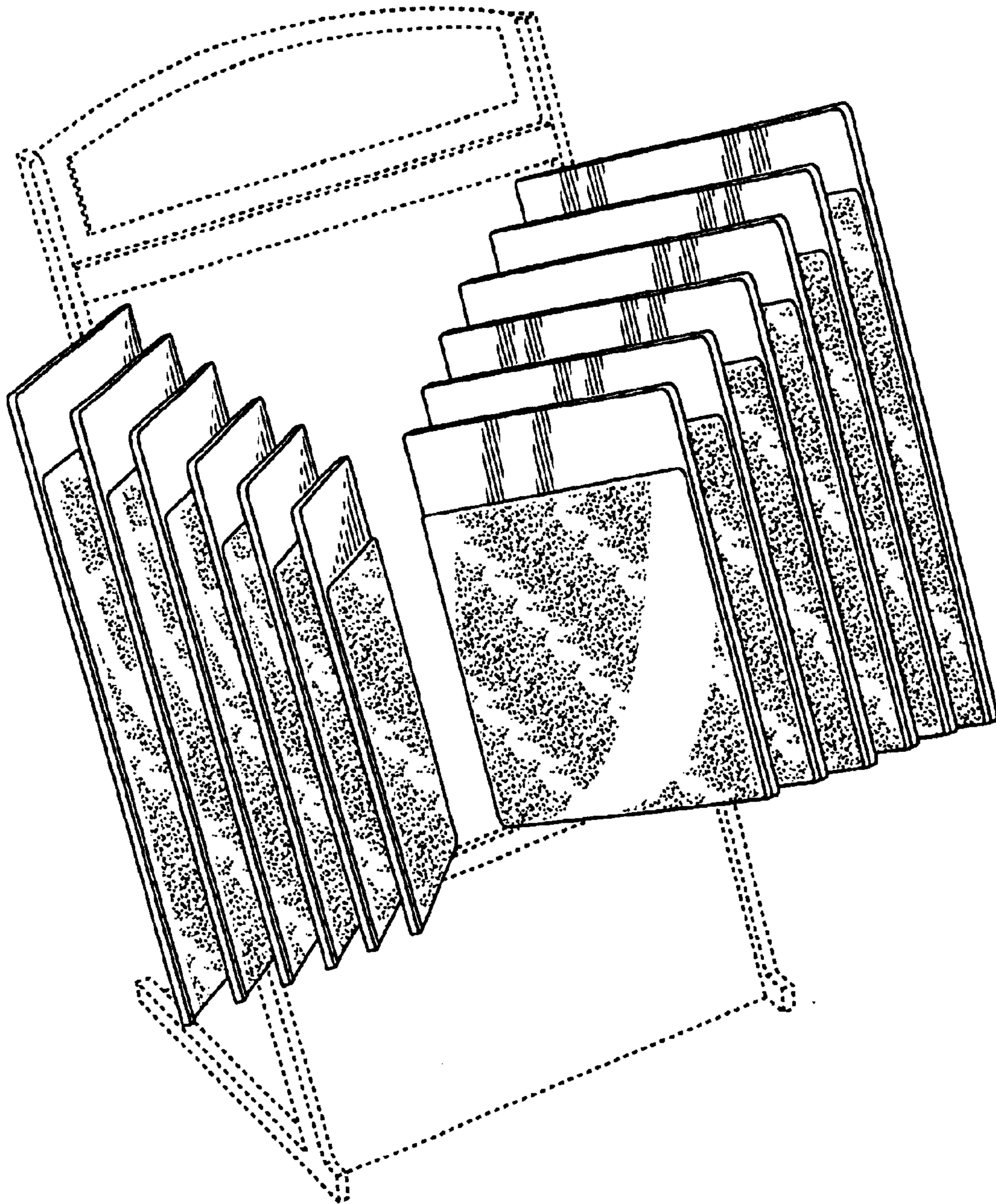


Fig. 11

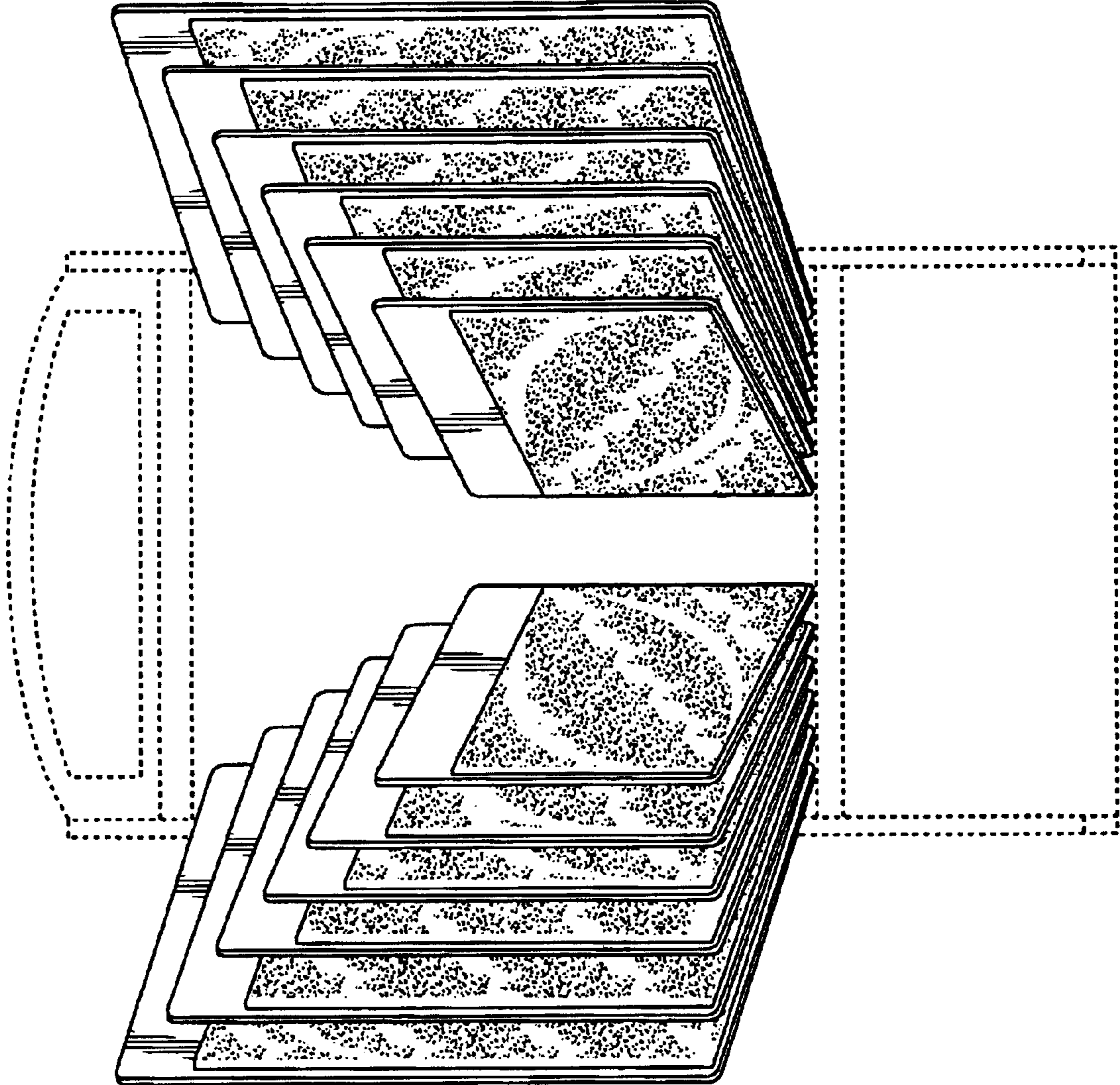


Fig. 12

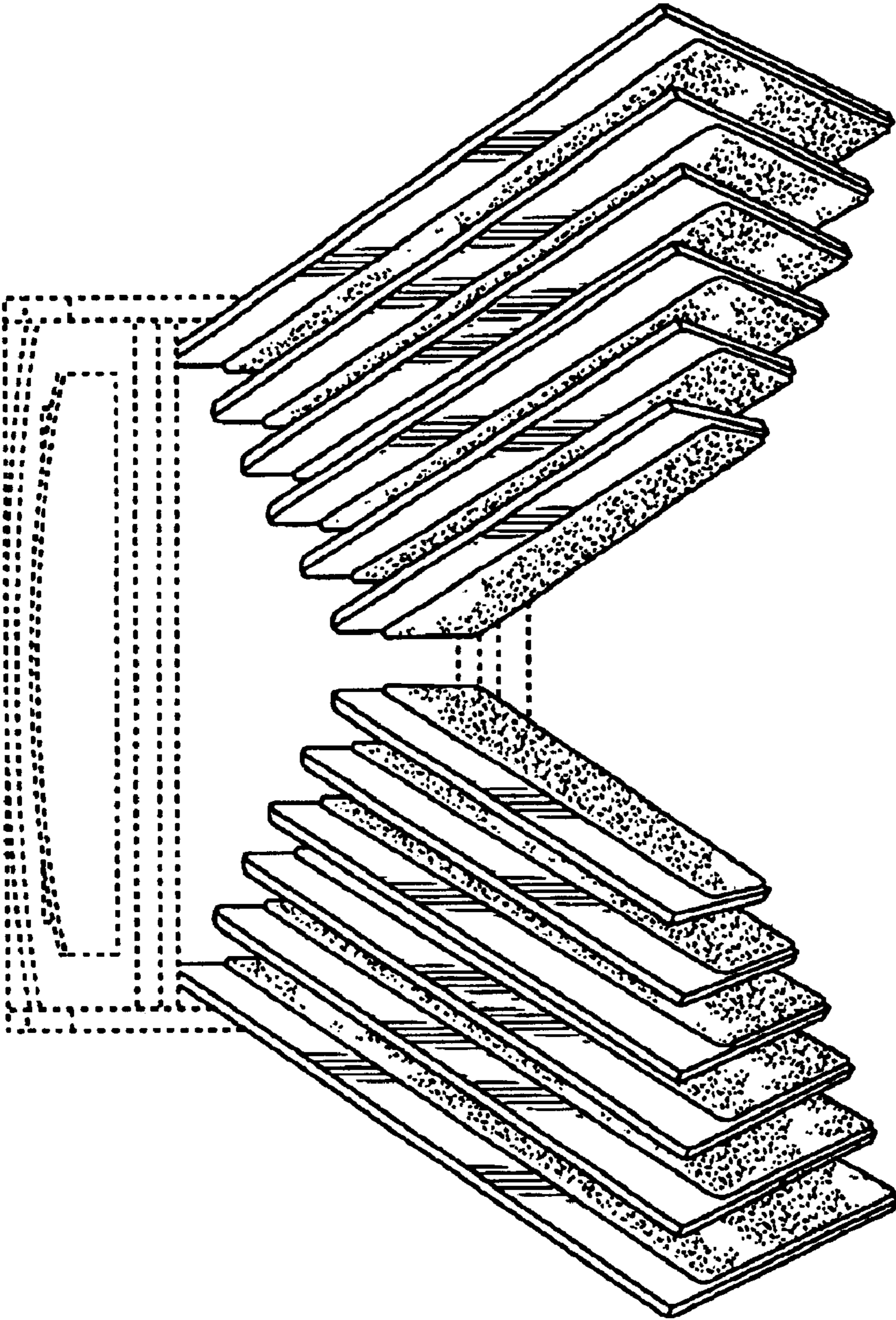


FIG. 13

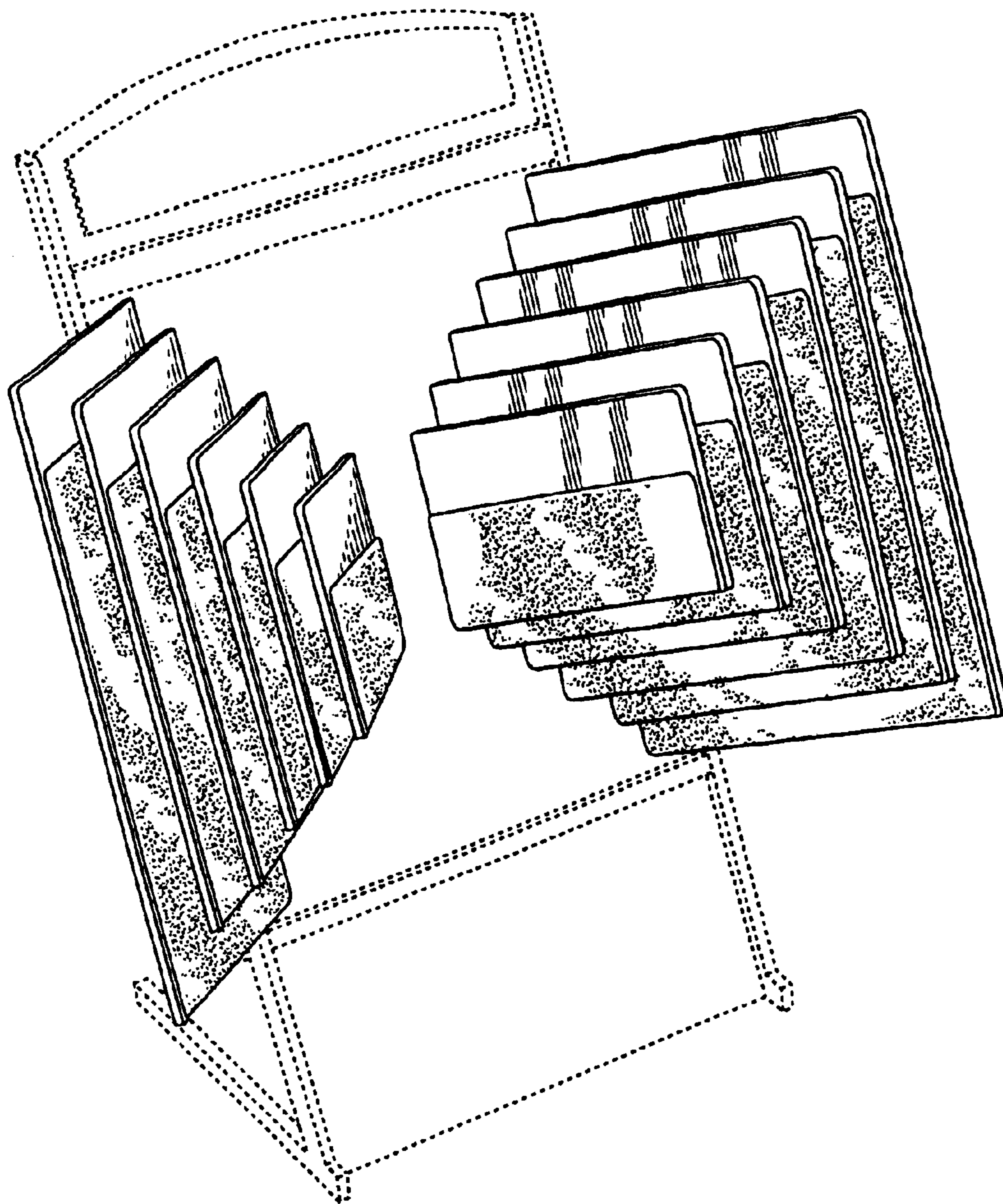


Fig. 14

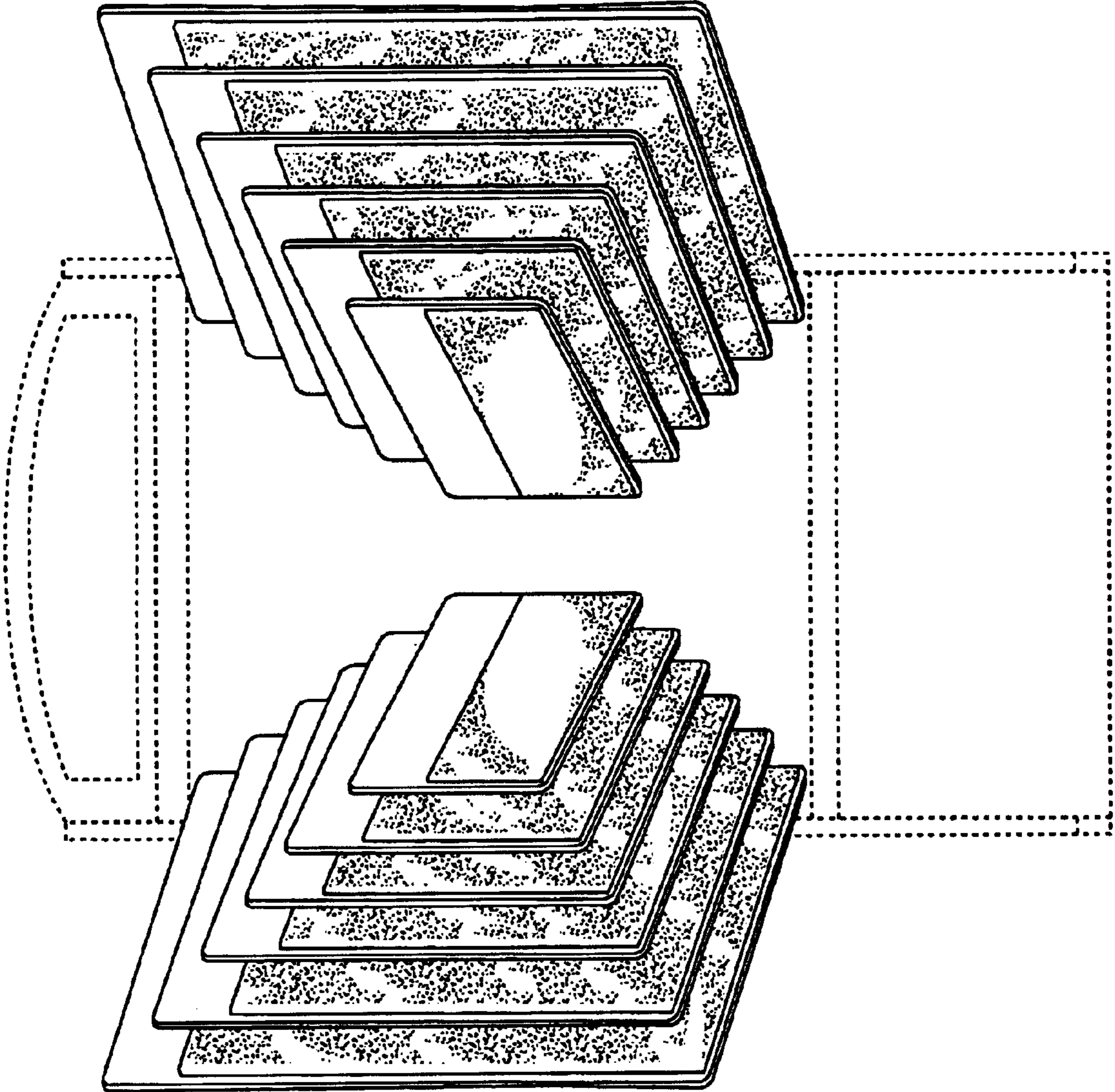


Fig. 15

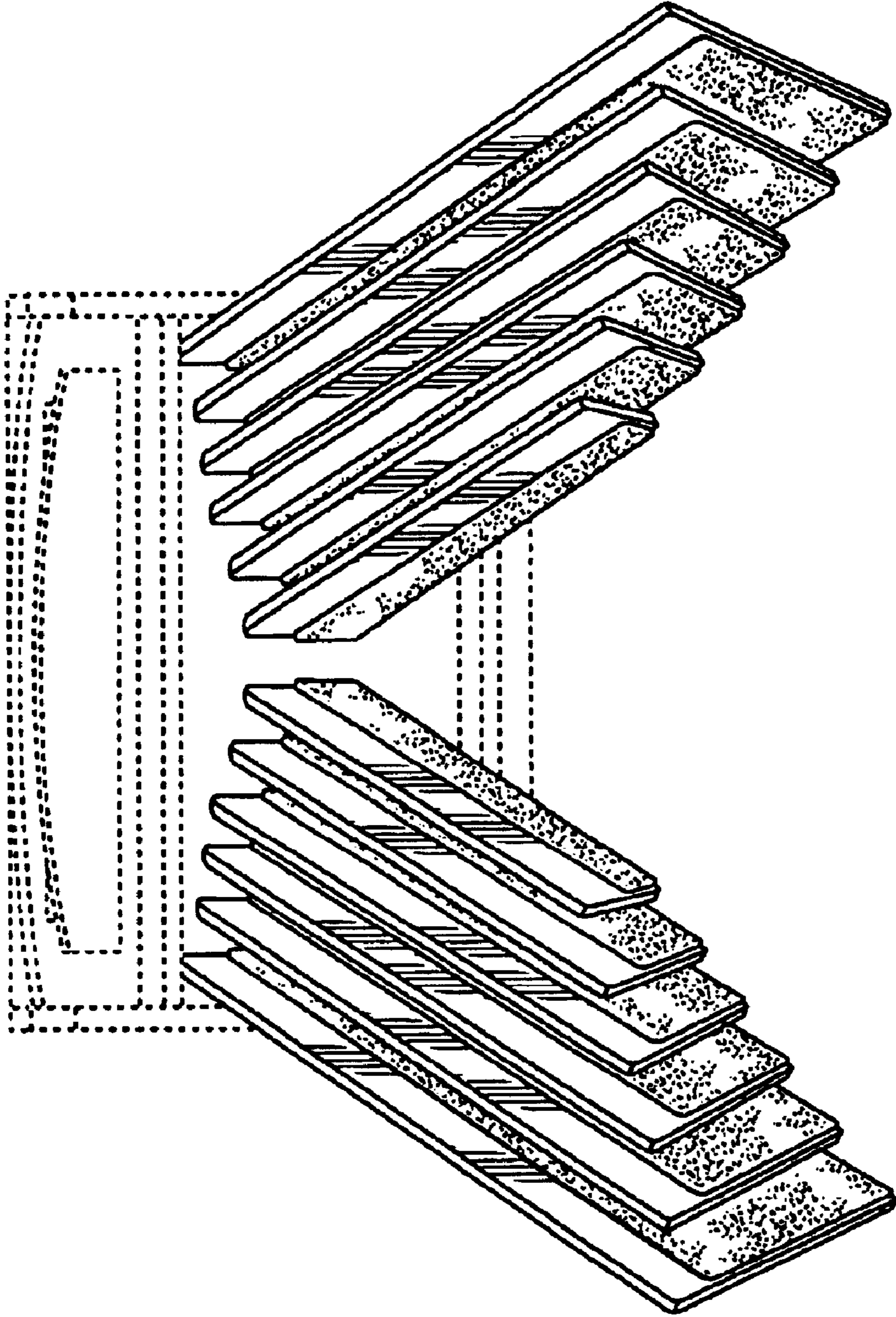


Fig. 16