

US00D498079S

(12) **United States Design Patent**
Messier

(10) **Patent No.:** **US D498,079 S**

(45) **Date of Patent:** **** Nov. 9, 2004**

(54) **PARK BENCH**

(75) **Inventor:** **Patrick Messier, Montréal (CA)**

(73) **Assignee:** **Plastiques Cascades Inc., Quebec (CA)**

(**) **Term:** **14 Years**

(21) **Appl. No.:** **29/201,145**

(22) **Filed:** **Mar. 10, 2004**

(30) **Foreign Application Priority Data**

Nov. 25, 2003 (CA) 104996

(51) **LOC (7) Cl.** **06-01**

(52) **U.S. Cl.** **D6/381; D6/370**

(58) **Field of Search** D6/334, 370, 374,
D6/376, 379, 380, 500, 501, 502; 297/232,
445.1, 446.1

(56) **References Cited**

U.S. PATENT DOCUMENTS

D48,623 S * 2/1916 Haase D6/370

D148,289 S * 1/1948 Discher D6/374

D238,633 S * 2/1976 Hunter D6/374 X

D294,782 S * 3/1988 Balderi D6/370 X

D386,012 S * 11/1997 Skalka D6/370

D473,391 S * 4/2003 Haney et al. D6/370

* cited by examiner

Primary Examiner—Gary D. Watson

(74) *Attorney, Agent, or Firm*—Cantor Colburn LLP

(57) **CLAIM**

The ornamental design for a park bench, as shown and described.

DESCRIPTION

FIG. 1 is a front side perspective view of a park bench showing my new design;

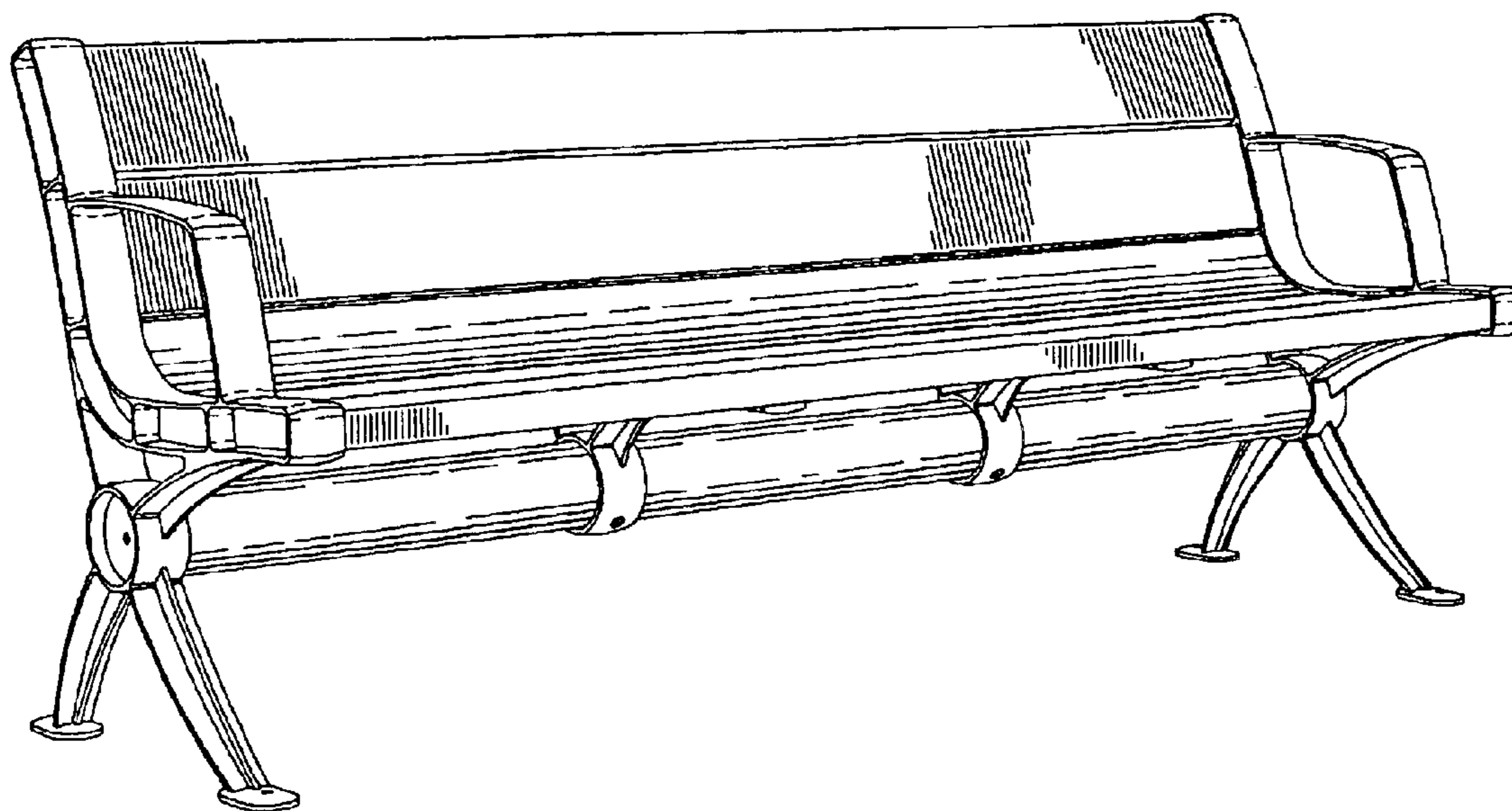
FIG. 2 is a front elevation view thereof;

FIG. 3 is a side elevation view thereof, the other side view being a mirror image thereof;

FIG. 4 is top plan view thereof; and,

FIG. 5 is a rear elevation view thereof.

1 Claim, 3 Drawing Sheets



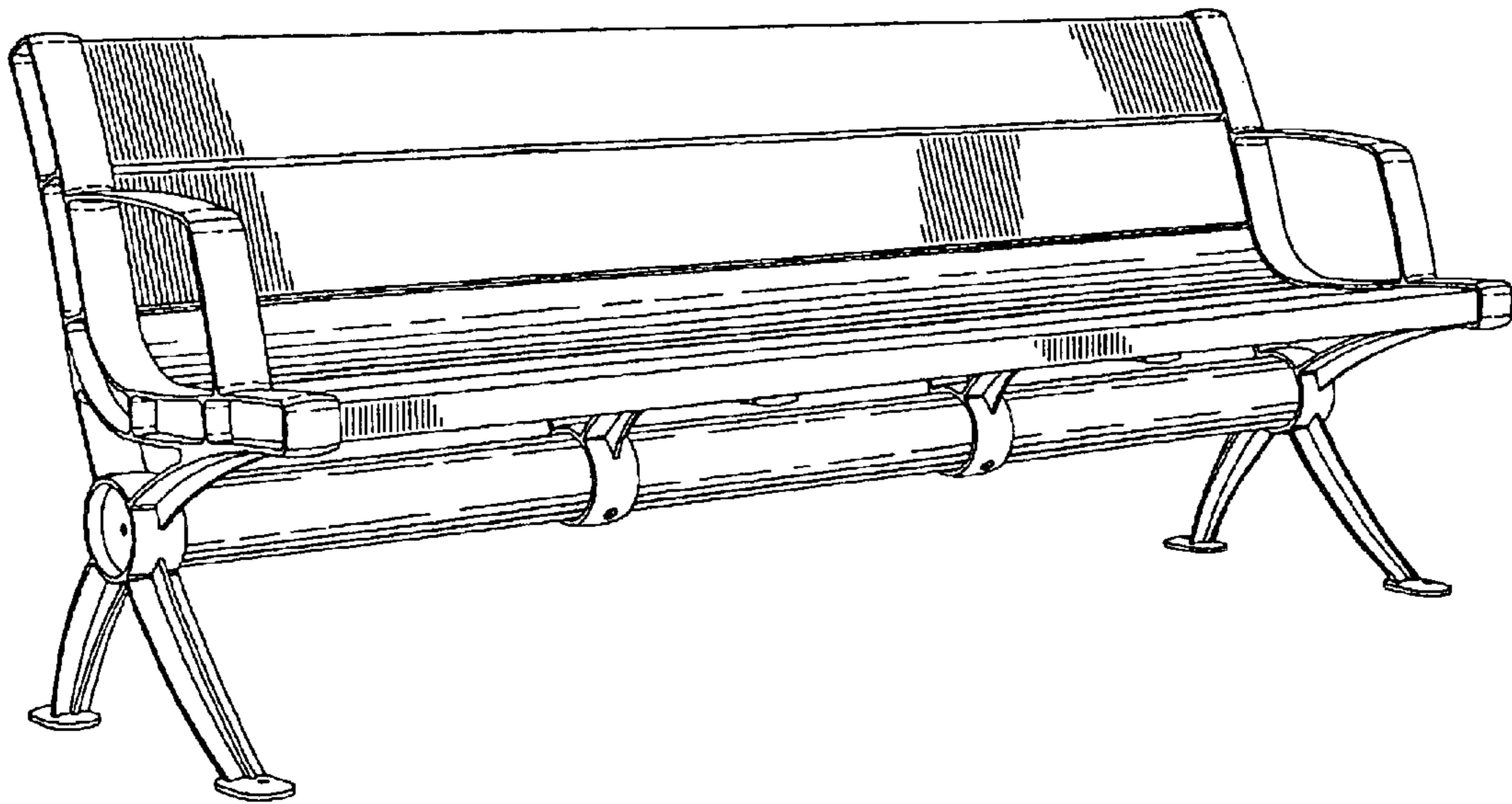


FIG. 1

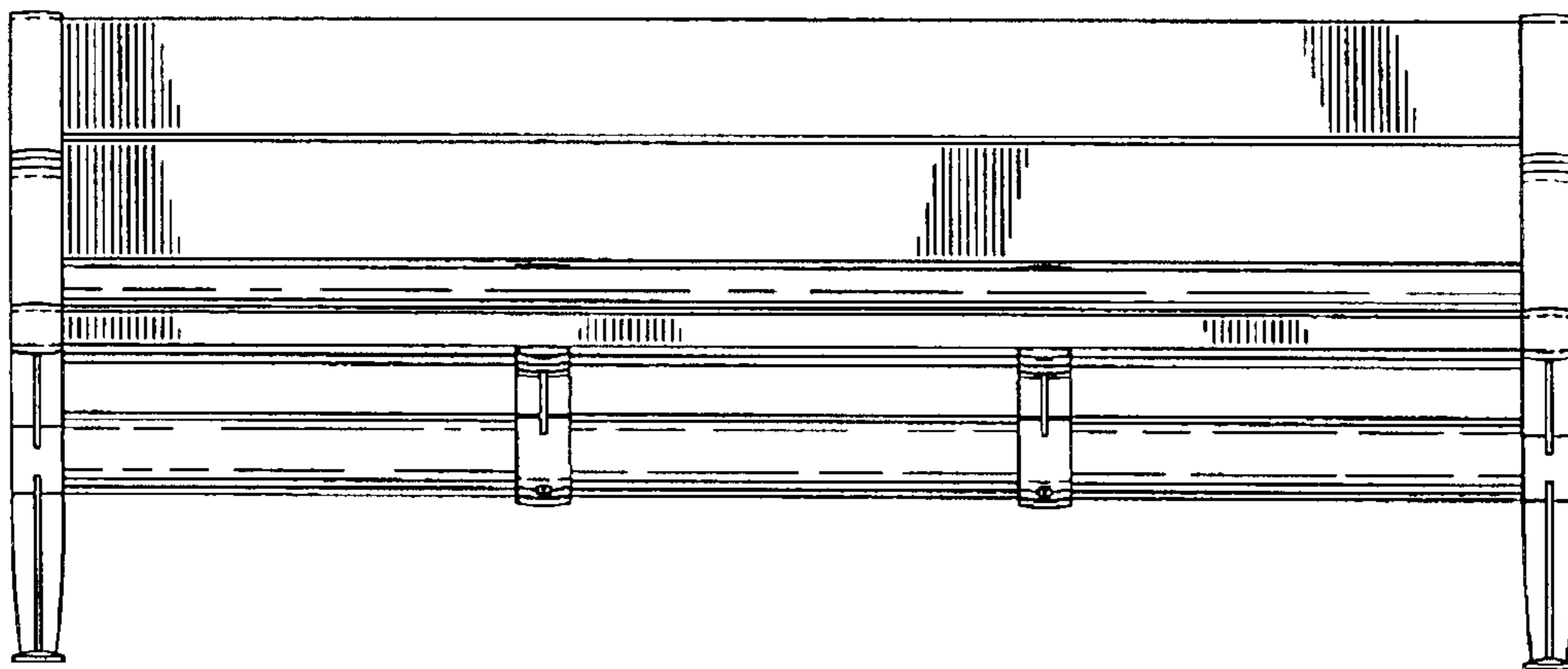


FIG. 2

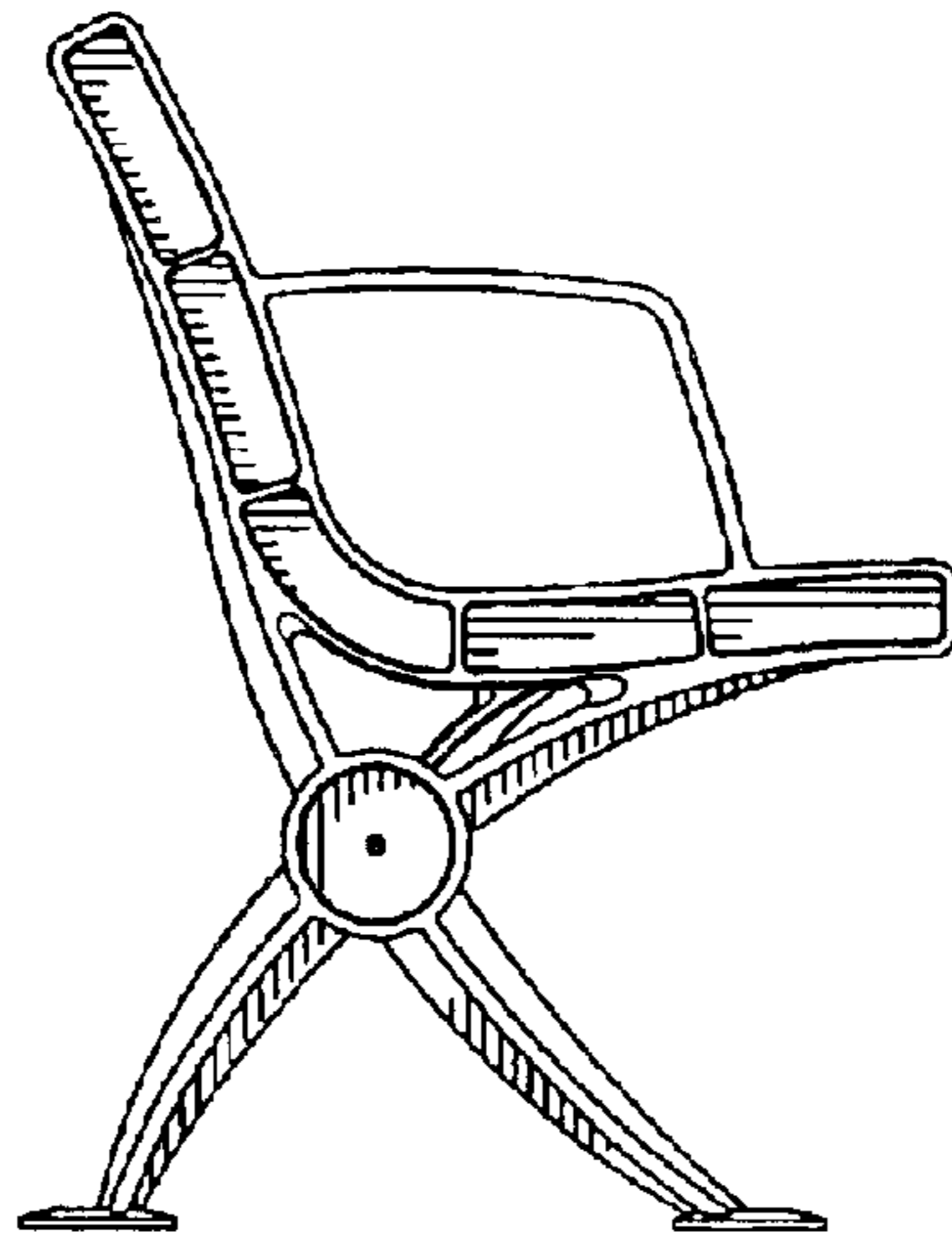


FIG. 3

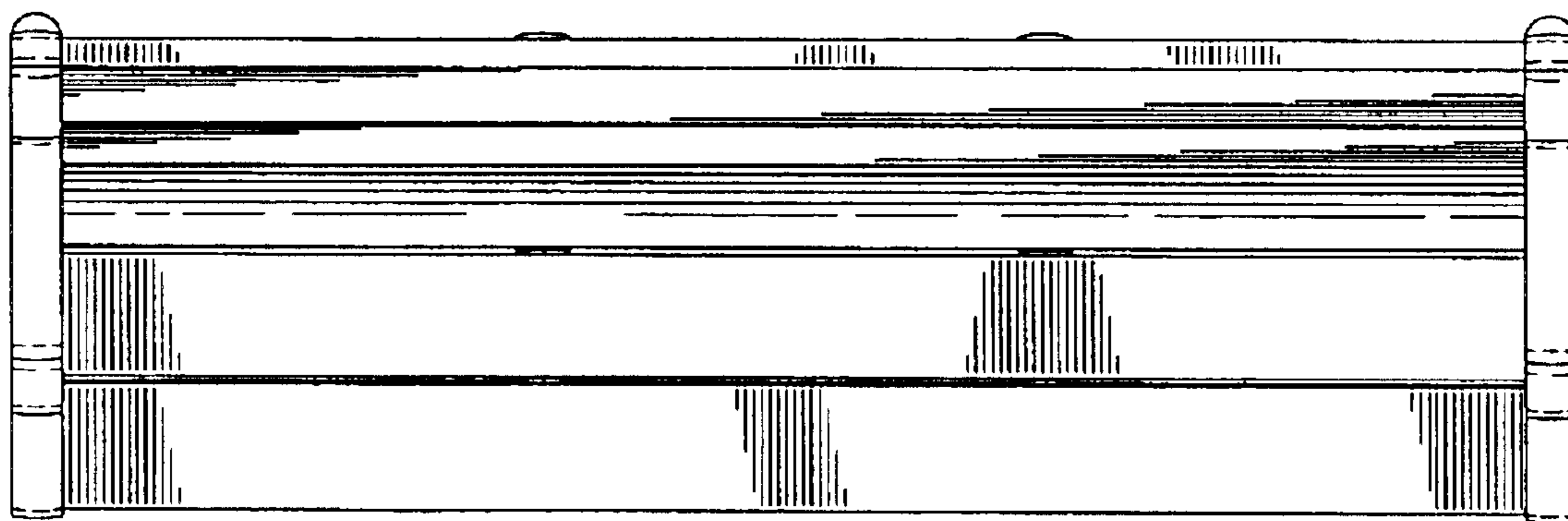


FIG. 4

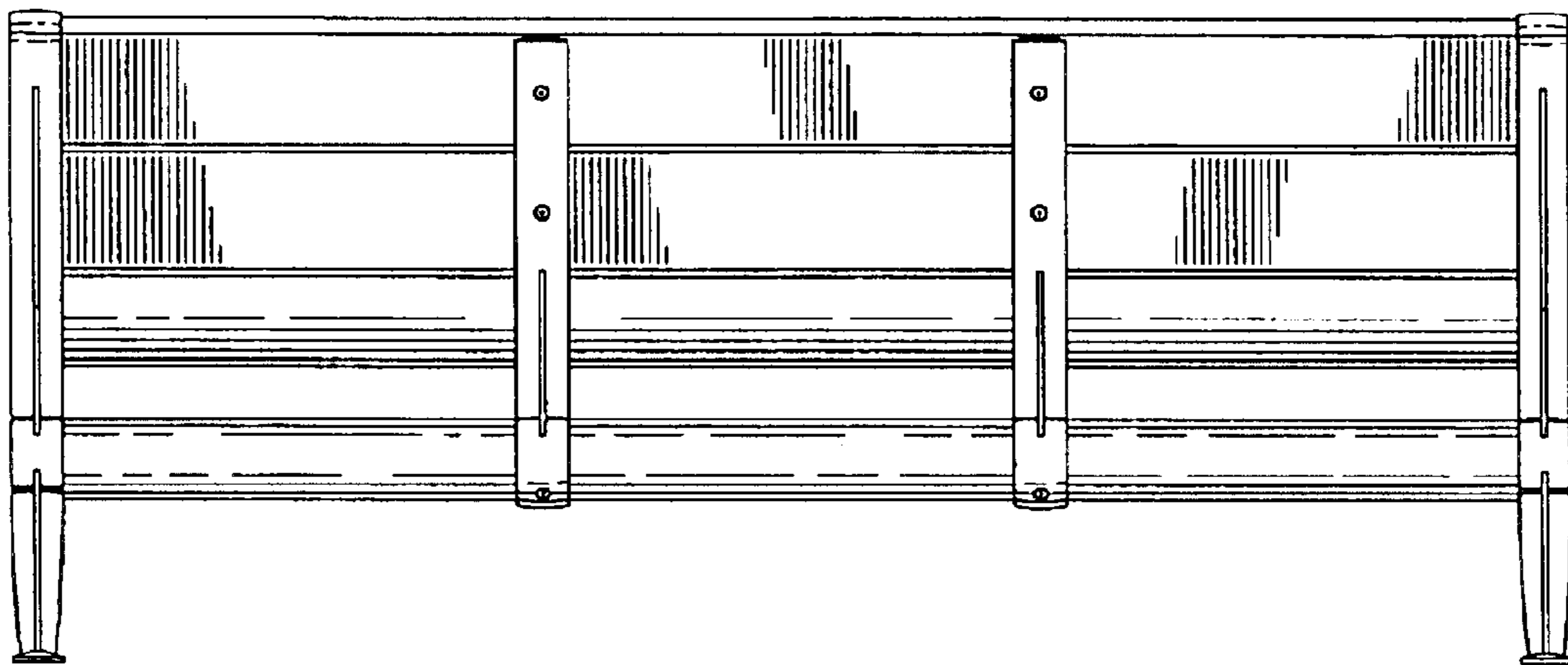


FIG. 5