

US00D498078S

(12) **United States Design Patent**  
**Messier**

(10) **Patent No.:** **US D498,078 S**  
(45) **Date of Patent:** **\*\* Nov. 9, 2004**

(54) **PARK BENCH**  
(75) **Inventor:** **Patrick Messier, Montréal (CA)**  
(73) **Assignee:** **Plastiques Cascades Inc., Quebec (CA)**  
(\*\*) **Term:** **14 Years**

D238,633 S \* 2/1976 Hunter ..... D6/374 X  
D294,782 S \* 3/1988 Balderi ..... D6/373  
D296,961 S \* 8/1988 Norton ..... D6/370  
D386,012 S \* 11/1997 Skalka ..... D6/370  
D473,391 S \* 4/2003 Haney et al. .... D6/370

\* cited by examiner

(21) **Appl. No.:** **29/201,140**  
(22) **Filed:** **Mar. 10, 2004**  
(30) **Foreign Application Priority Data**  
Nov. 25, 2003 (CA) ..... 104998

*Primary Examiner*—Gary D. Watson  
(74) *Attorney, Agent, or Firm*—Cantor Colburn LLP

(51) **LOC (7) Cl.** ..... **06-01**  
(52) **U.S. Cl.** ..... **D6/381**  
(58) **Field of Search** ..... D6/334, 370, 374,  
D6/376, 379, 380, 500, 501, 502; 297/232,  
445.1, 446.1

(57) **CLAIM**

The ornamental design for a park bench, as shown and described.

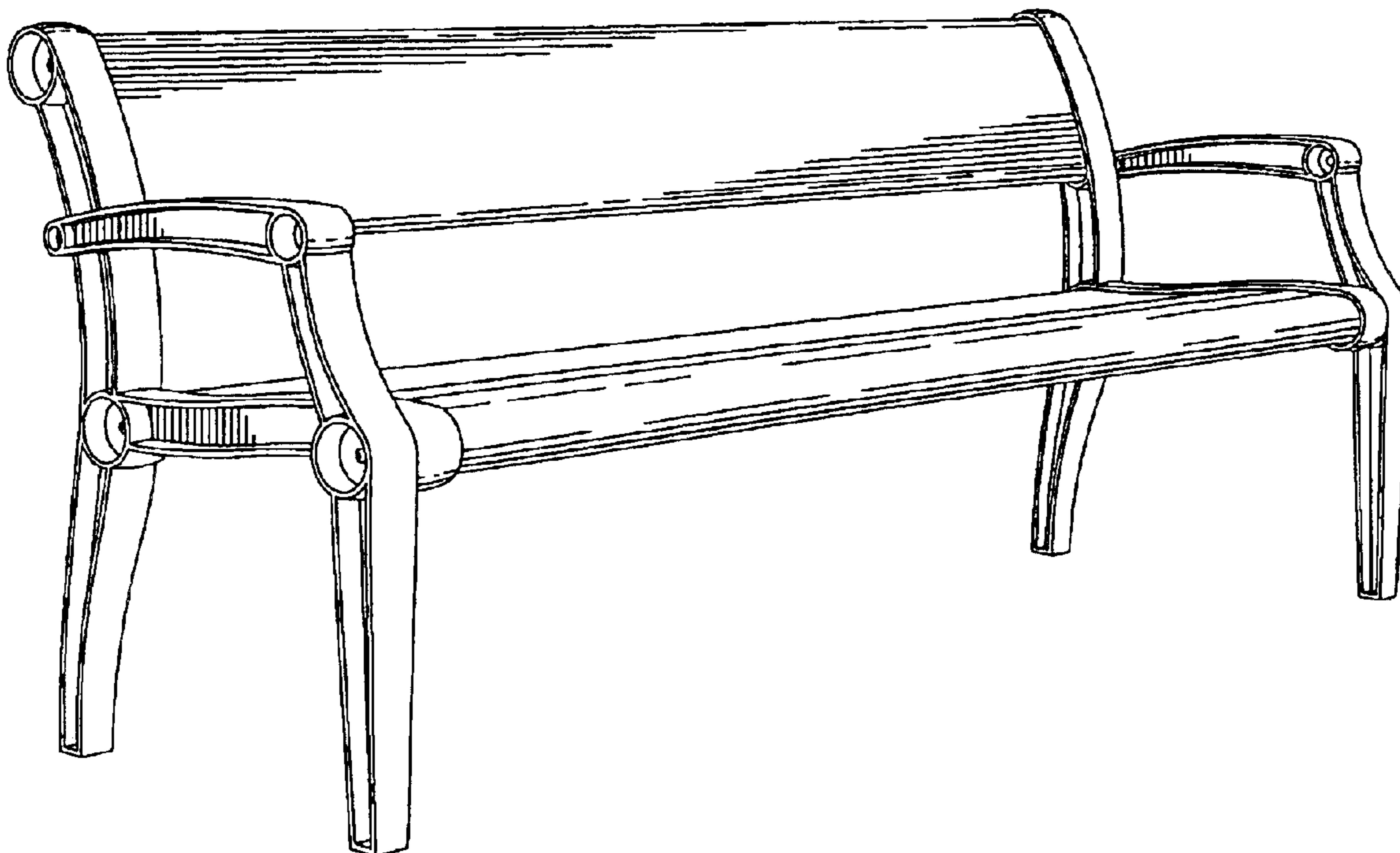
(56) **References Cited**  
**U.S. PATENT DOCUMENTS**

**DESCRIPTION**

D240 S \* 10/1849 Box ..... D6/370  
D148,289 S \* 1/1948 Discher ..... D6/374

FIG. 1 is a front side perspective view of a park bench showing our new design;  
FIG. 2 is a front elevation view thereof;  
FIG. 3 is a side elevation view thereof, the other side view being a mirror image thereof;  
FIG. 4 is top plan view thereof; and,  
FIG. 5 is a rear elevation view thereof.

**1 Claim, 3 Drawing Sheets**



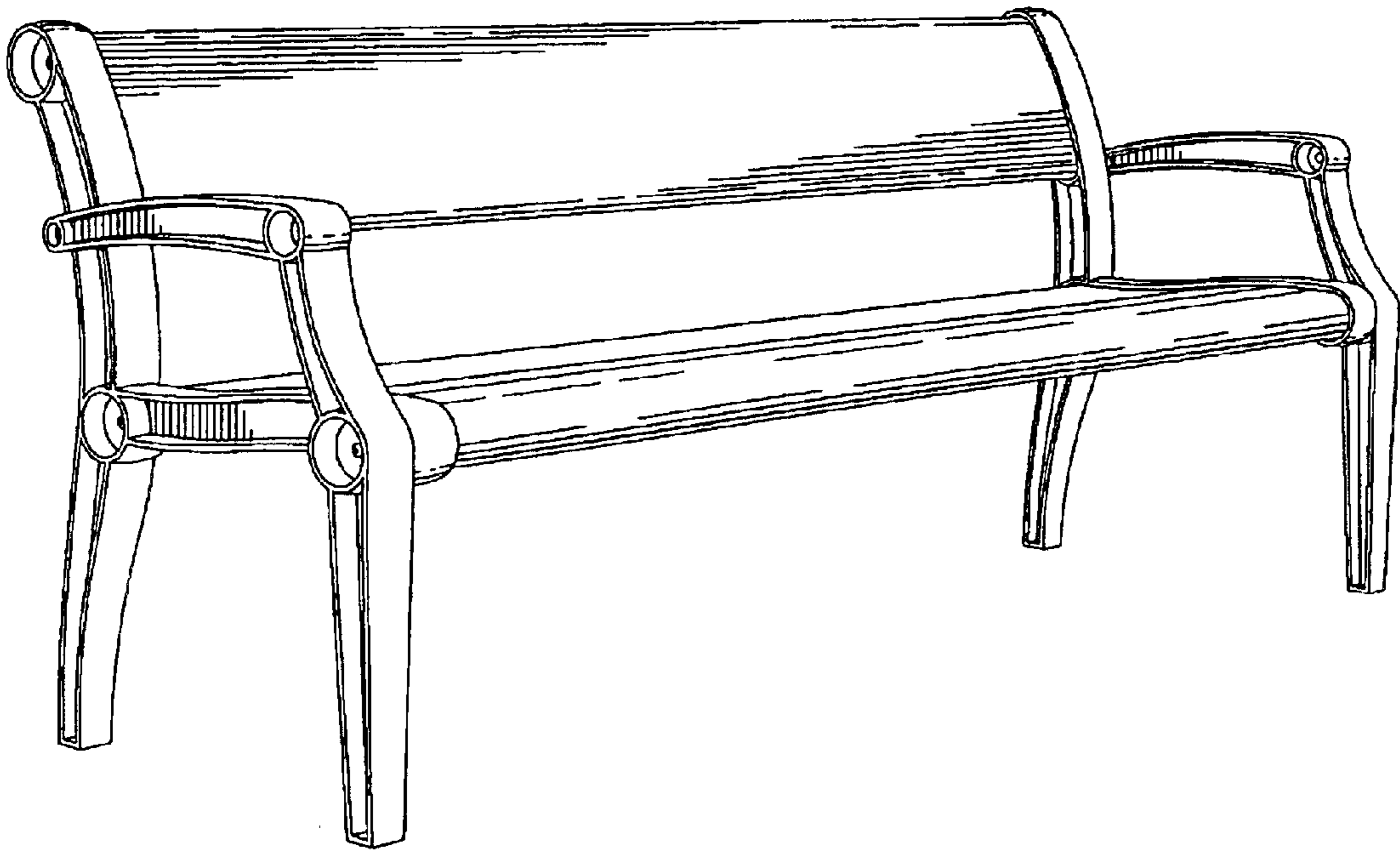


FIG. 1

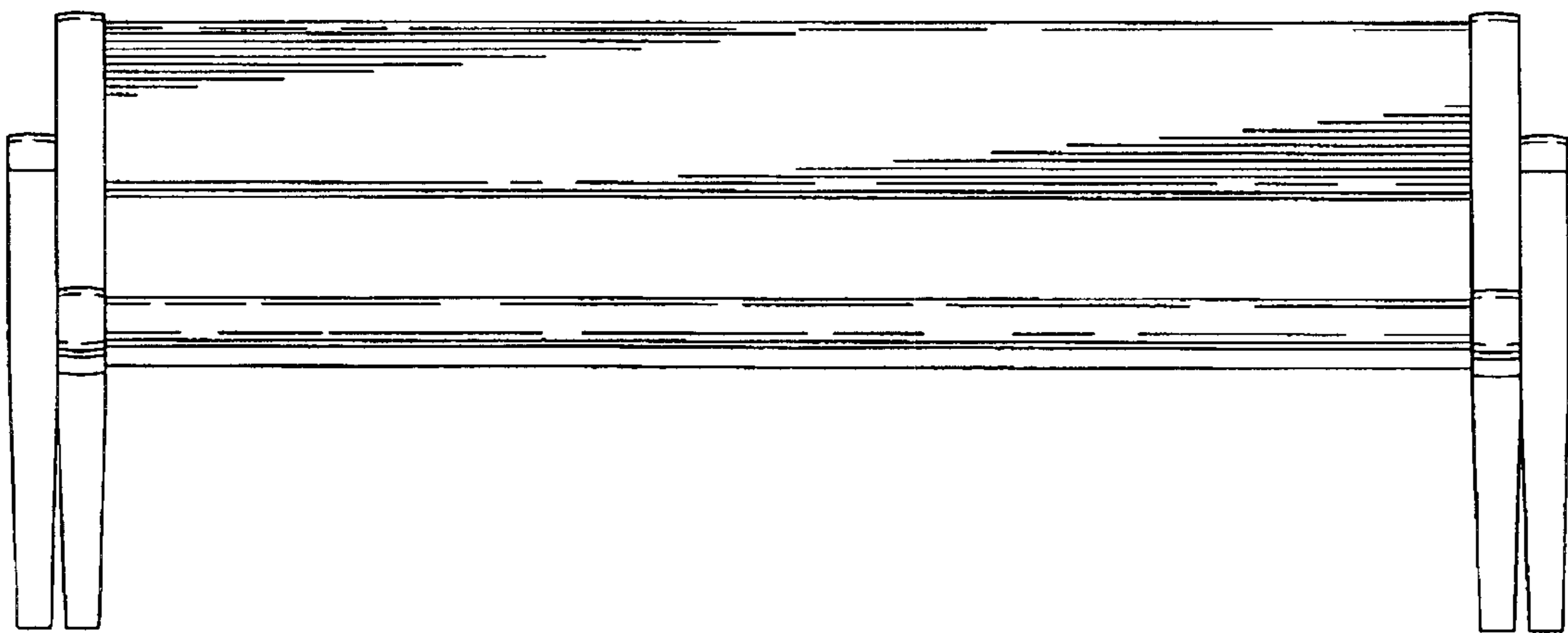


FIG. 2

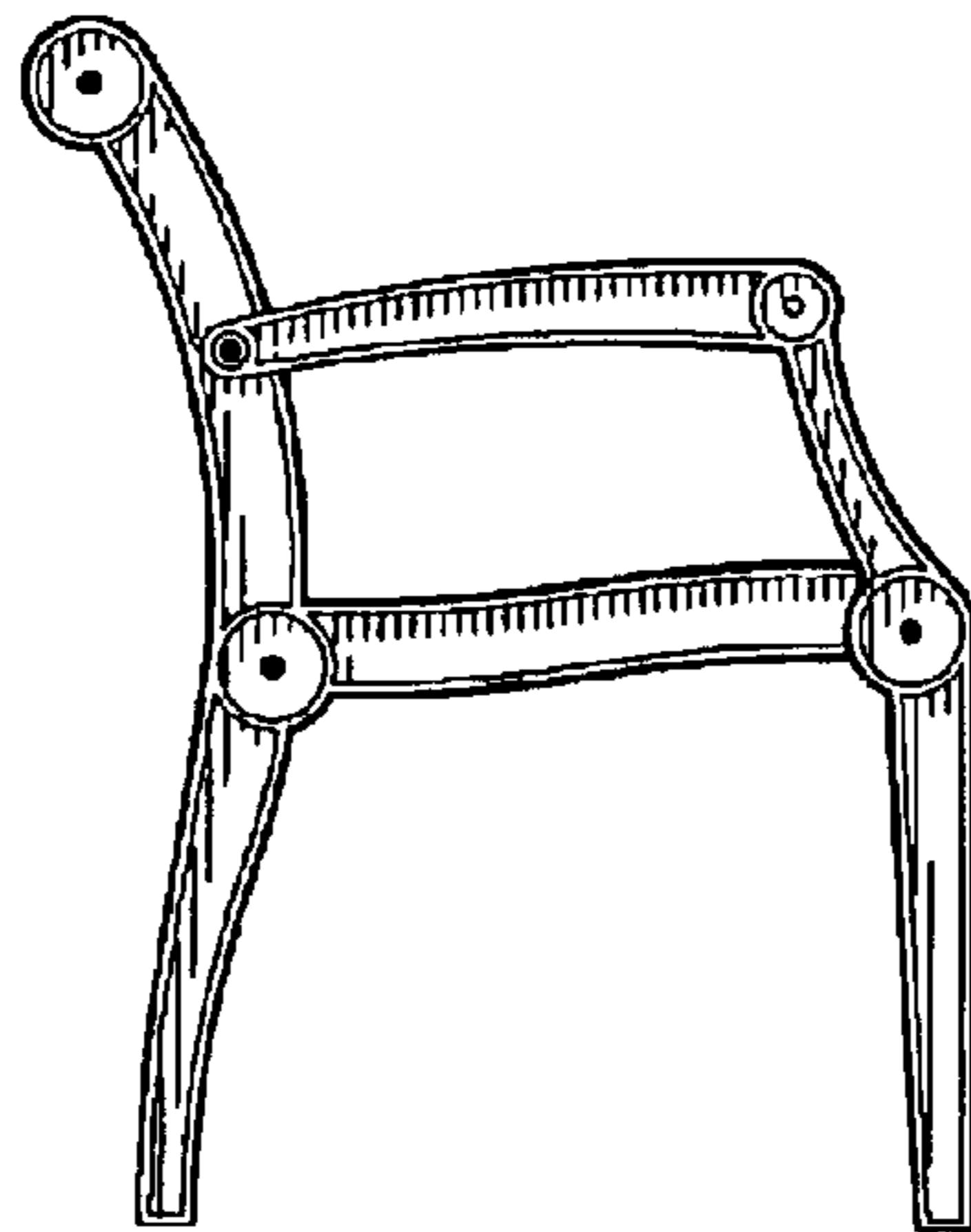


FIG. 3

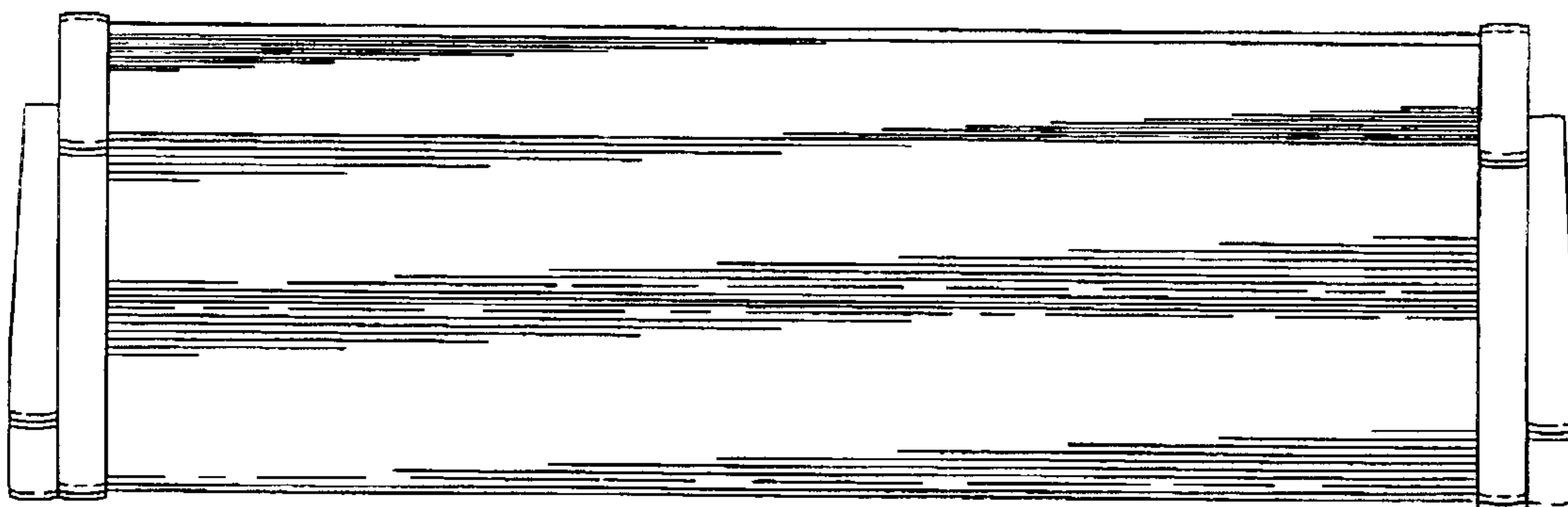


FIG. 4

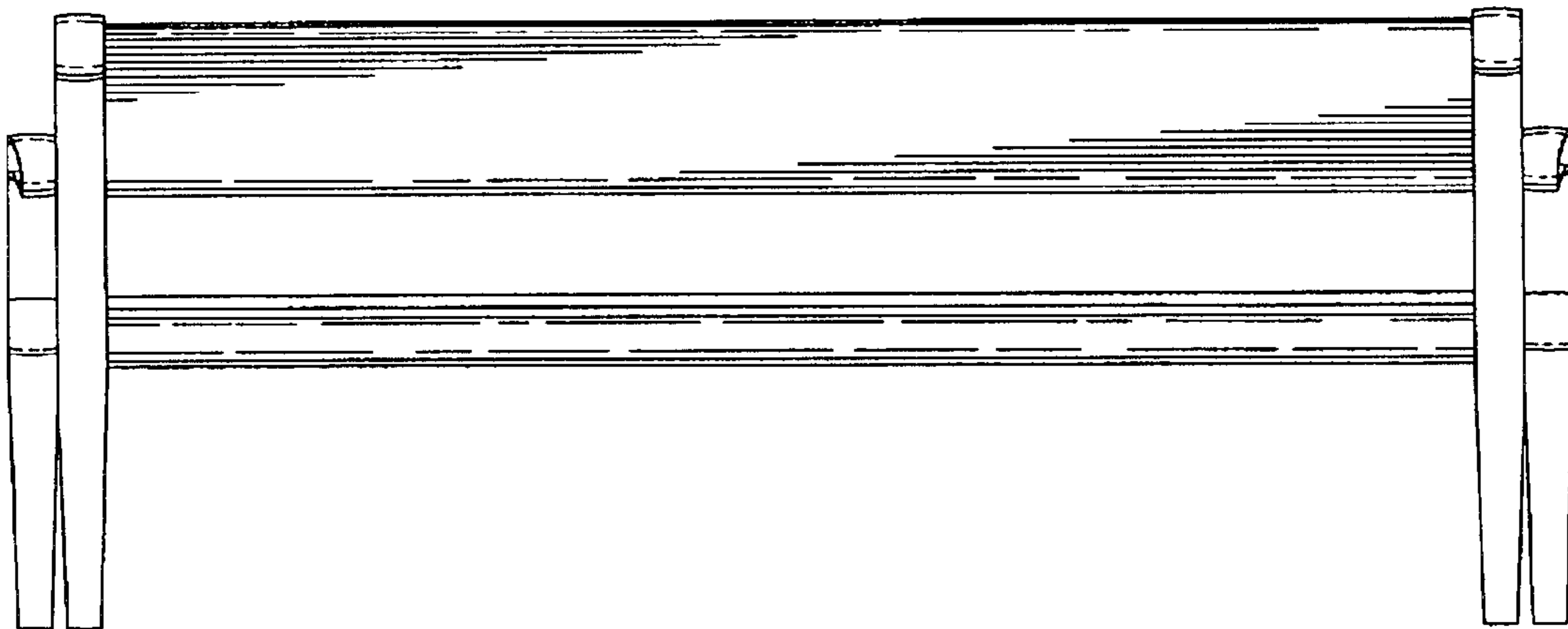


FIG. 5