

US00D498077S

(12) **United States Design Patent**
Tonizzo

(10) **Patent No.:** **US D498,077 S**
(45) **Date of Patent:** **** Nov. 9, 2004**

(54) **ROW SEATING**

(75) **Inventor:** **Davide Tonizzo**, Toronto (CA)

(73) **Assignee:** **Arconas Corporation** (CA)

(**) **Term:** **14 Years**

(21) **Appl. No.:** **29/199,426**

(22) **Filed:** **Feb. 13, 2004**

(51) **LOC (7) Cl.** **06-01**

(52) **U.S. Cl.** **D6/381**

(58) **Field of Search** D6/334, 335, 336,
D6/368, 371, 373, 374, 375, 379, 380,
381, 500, 501, 502; 297/232

(56) **References Cited**

U.S. PATENT DOCUMENTS

3,343,870	A	*	9/1967	Thatcher et al.	297/232
D440,422	S	*	4/2001	DeJule	D6/371
D445,574	S	*	7/2001	Foster	D6/336
D469,616	S	*	2/2003	Caldwell	D6/375

* cited by examiner

Primary Examiner—Gary D. Watson
(74) *Attorney, Agent, or Firm*—Christopher A. Rothe;
Dann, Dorfman, Herrell and Skillman

(57) **CLAIM**

The ornamental design for row seating, as shown and described.

DESCRIPTION

FIG. 1 is a perspective view toward the front and one side of the row seating according to the design;

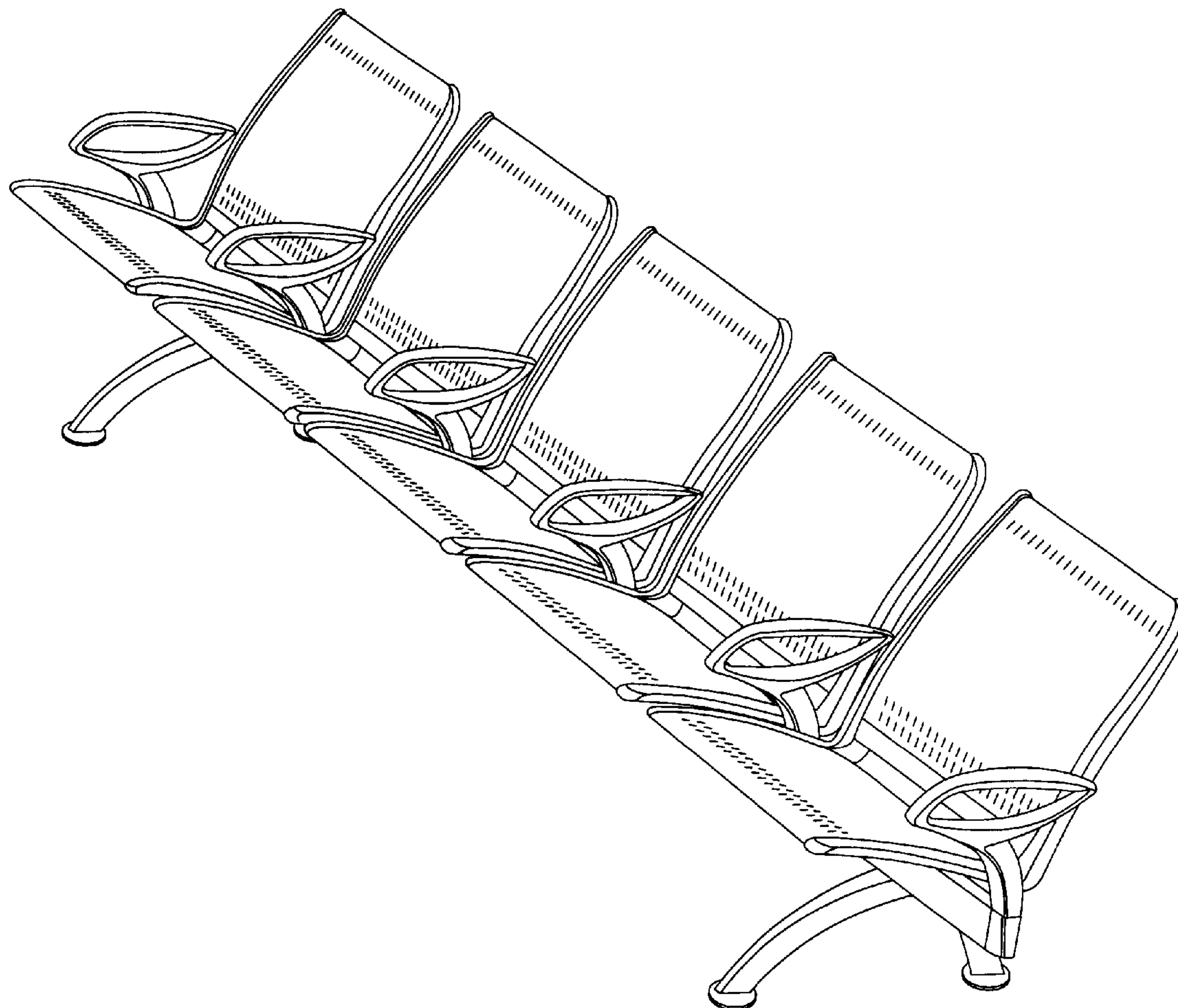
FIG. 2 is a perspective view toward the rear and one side of the row seating shown in FIG. 1;

FIG. 3 is a top plan view of the row seating shown in FIG. 1;

FIG. 4 is a front elevational view of the row seating shown in FIG. 1; and,

FIG. 5 is a right side elevational view of the row seating shown in FIG. 1, on an enlarged scale.

1 Claim, 3 Drawing Sheets



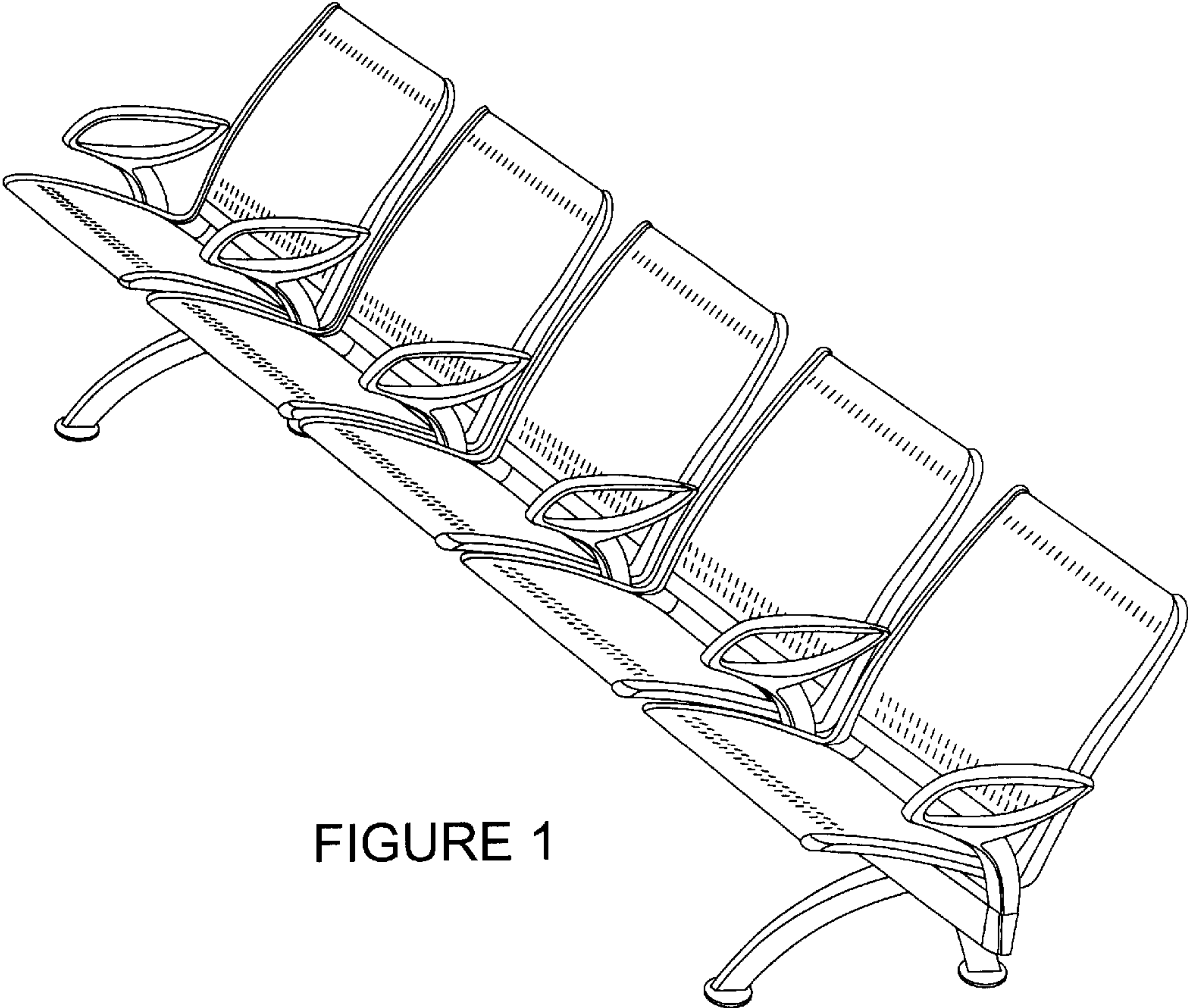


FIGURE 1

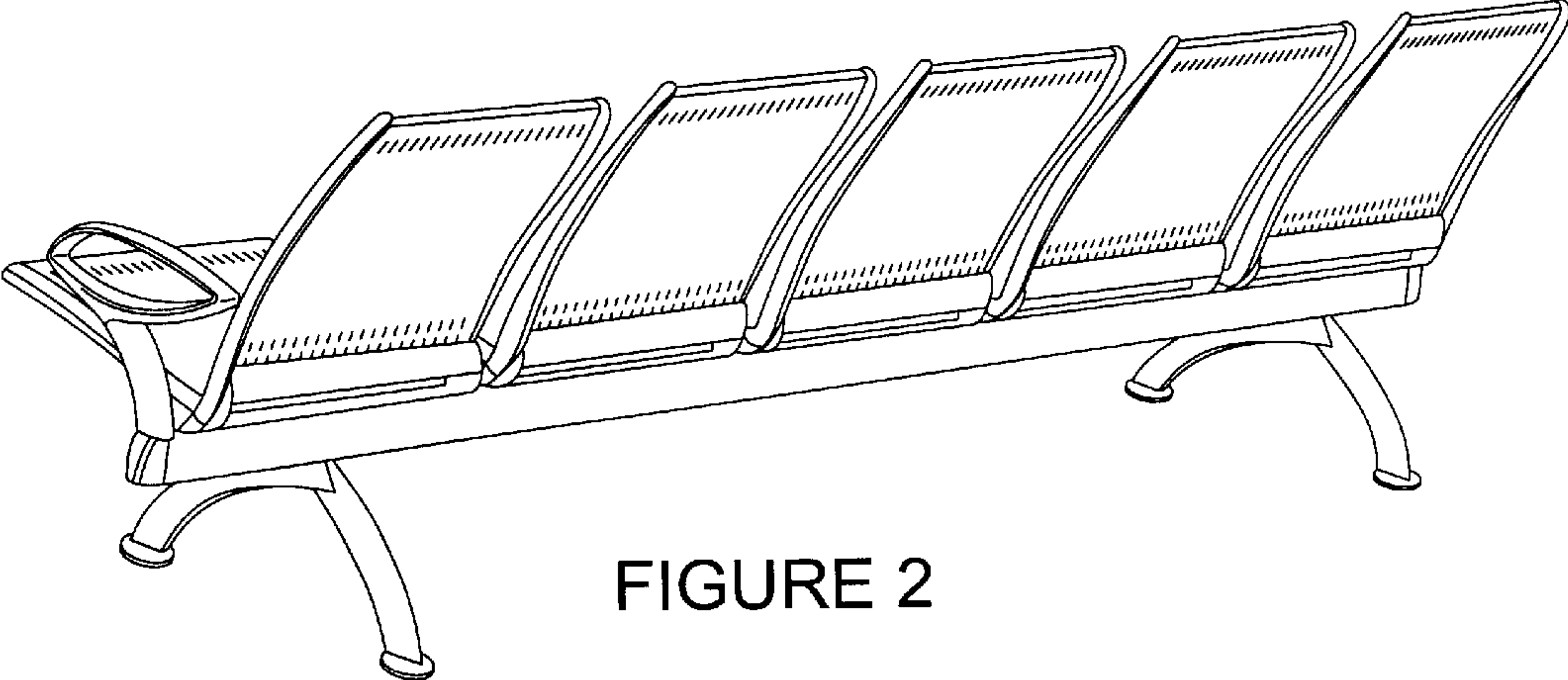


FIGURE 2

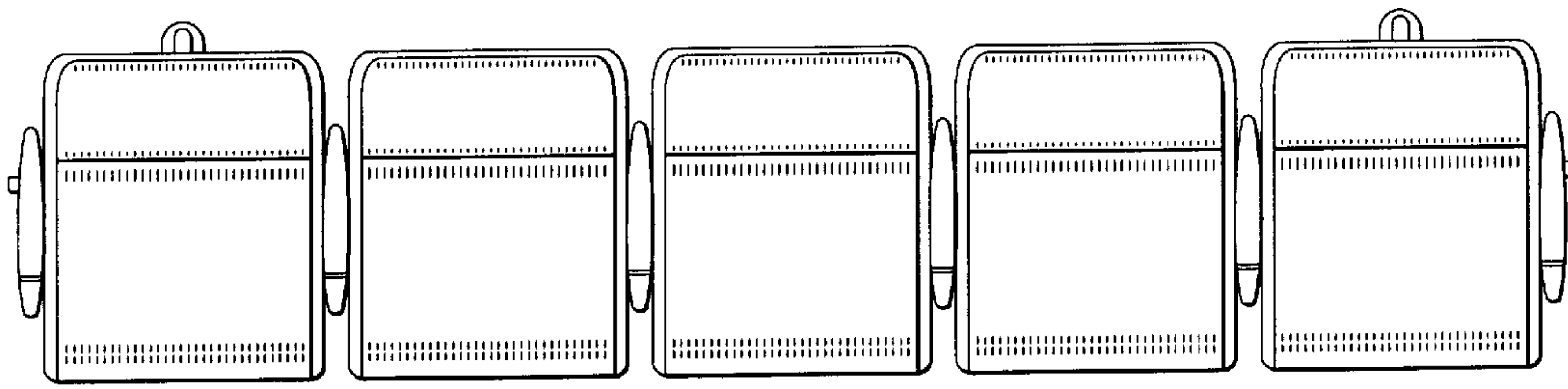


FIGURE 3

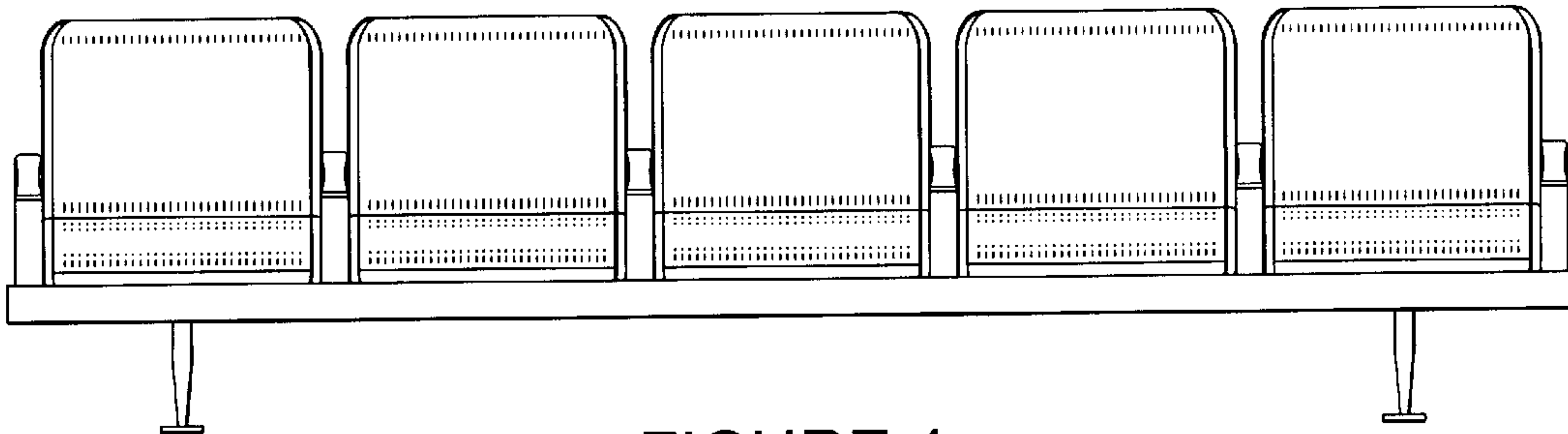


FIGURE 4

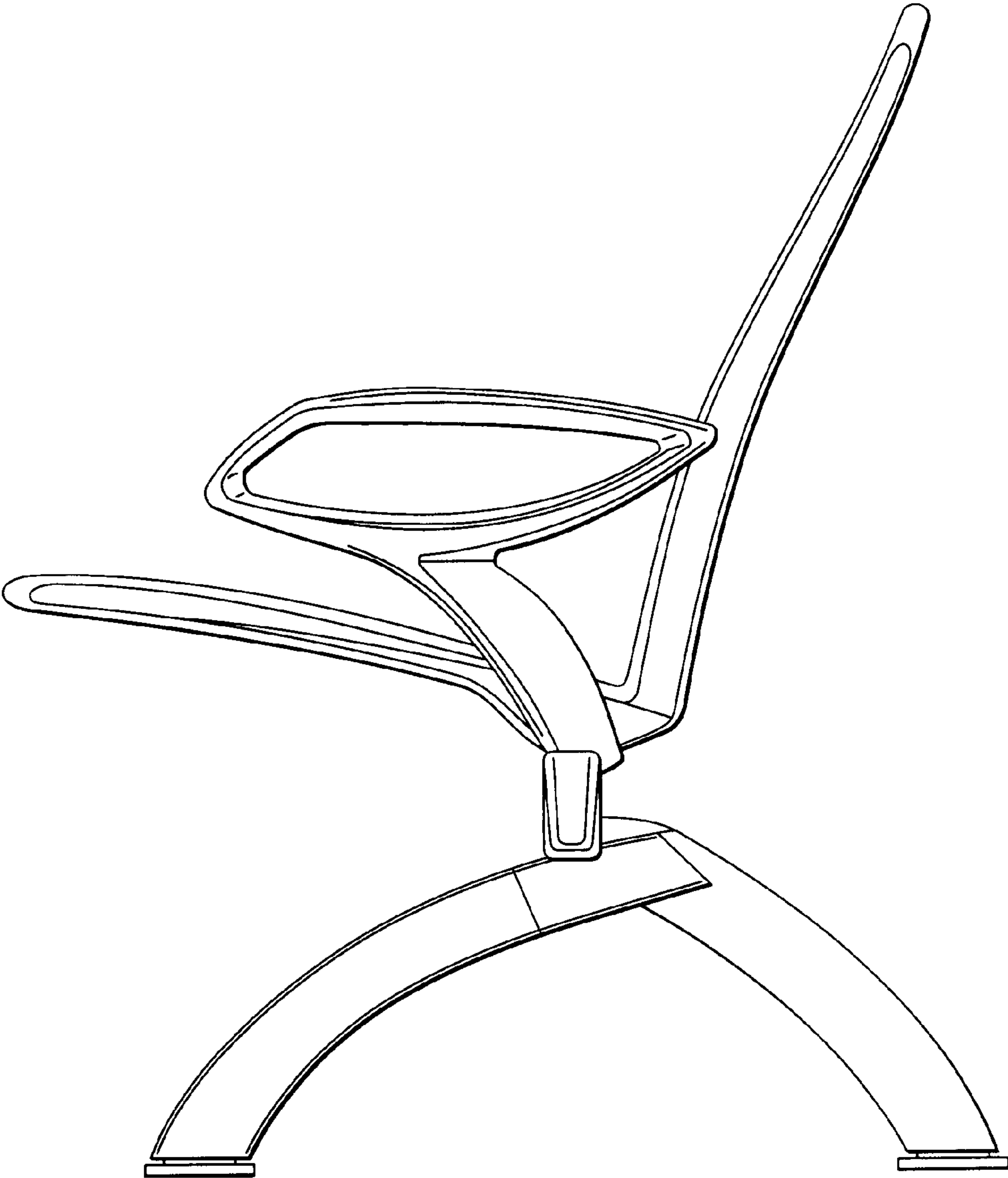


FIGURE 5