

US00D498074S

(12) **United States Design Patent**
Gomez

(10) **Patent No.:** **US D498,074 S**

(45) **Date of Patent:** **** Nov. 9, 2004**

(54) **SEAT**

D485,086 S * 1/2004 Gomez D6/381
D487,646 S * 3/2004 Natuzzi D6/381

(75) **Inventor:** **Didier Gomez, Paris (FR)**

* cited by examiner

(73) **Assignee:** **Cinna (FR)**

Primary Examiner—Gary D. Watson

(**) **Term:** **14 Years**

(74) *Attorney, Agent, or Firm*—Cantor Colburn LLP

(21) **Appl. No.:** **29/185,785**

(57) **CLAIM**

(22) **Filed:** **Jul. 1, 2003**

The ornamental design for a seat, as shown and described.

(30) **Foreign Application Priority Data**

DESCRIPTION

Jan. 7, 2003 (WO) DM/062 594

FIG. 1 is a front perspective view of a seat, showing my new design;

(51) **LOC (7) Cl.** **06-01**

FIG. 2 is a front elevational view thereof;

(52) **U.S. Cl.** **D6/381**

FIG. 3 is a rear elevational view thereof;

(58) **Field of Search** D6/334, 335, 336,
D6/364, 371, 381, 500, 501, 502; 5/12.1;
297/232

FIG. 4 is a first side elevational view thereof;

FIG. 5 is a second side elevational view thereof;

FIG. 6 is a top plan view thereof;

FIG. 7 is a rear perspective view;

(56) **References Cited**

U.S. PATENT DOCUMENTS

D177,455 S * 4/1956 Young D6/381
D181,932 S * 1/1958 Lubberts et al. D6/381
D367,364 S * 2/1996 Lewis D6/334
D385,122 S * 10/1997 Hutton D6/381
D423,244 S * 4/2000 Hutton D6/381
D423,808 S * 5/2000 Natuzzi et al. D6/381
D424,316 S * 5/2000 Natuzzi et al. D6/381
D446,039 S * 8/2001 Gomez D6/381
D473,723 S * 4/2003 Pessa D6/334
D484,327 S * 12/2003 Ricci D6/381
D484,713 S * 1/2004 Gomez D6/381

FIG. 8 is a front perspective view of a second embodiment of the seat of FIG. 1 with back cushions;

FIG. 9 is a front perspective view of a third embodiment of the seat;

FIG. 10 is a front elevational view thereof;

FIG. 11 is a rear elevational view thereof;

FIG. 12 is a first side elevational view thereof;

FIG. 13 is a second side elevational view thereof;

FIG. 14 is a top plan view thereof;

FIG. 15 is a rear perspective view thereof; and,

FIG. 16 is a front perspective view of a fourth embodiment of the seat of FIG. 9 with back cushions.

1 Claim, 10 Drawing Sheets

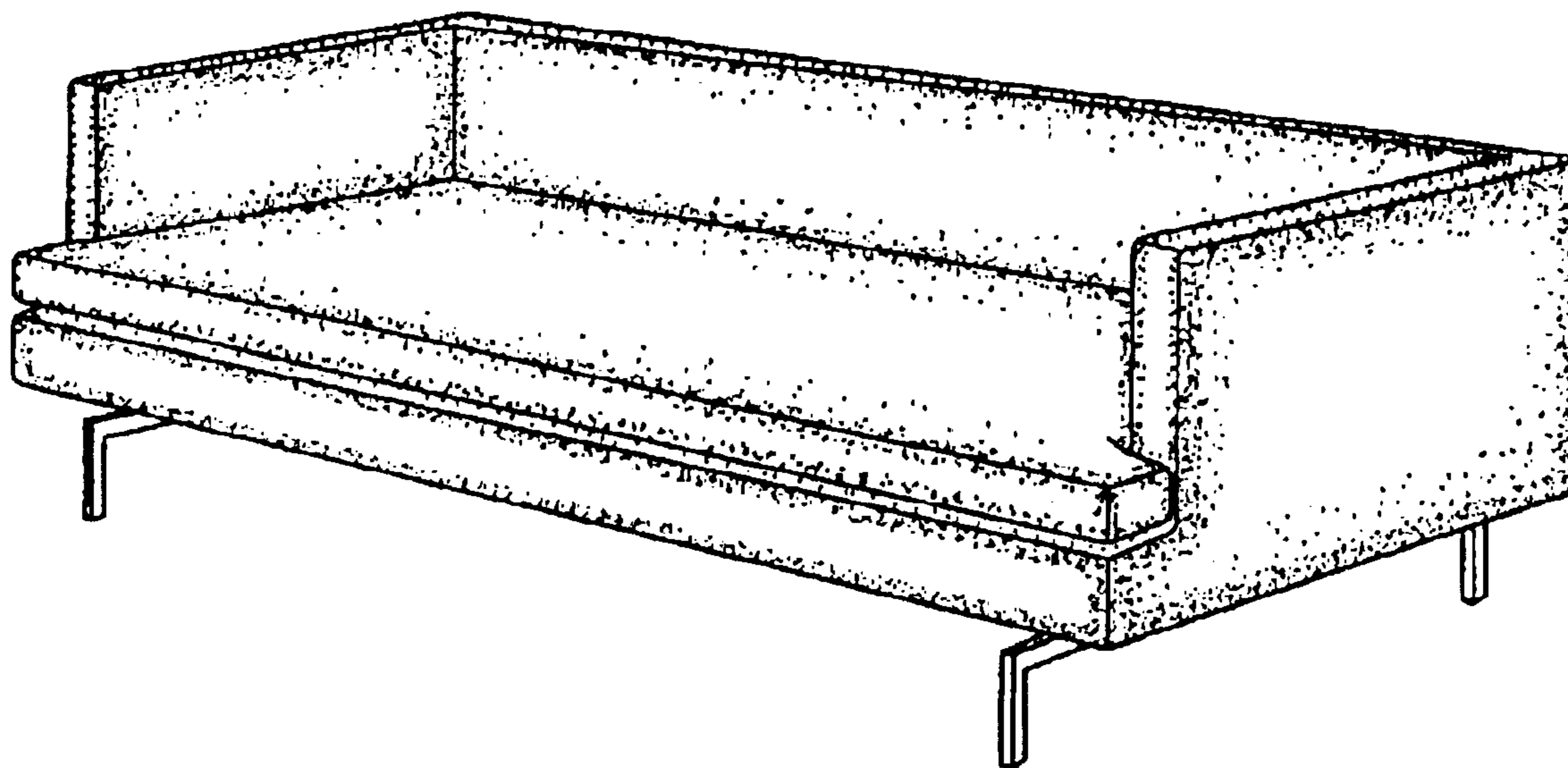


FIG. 1

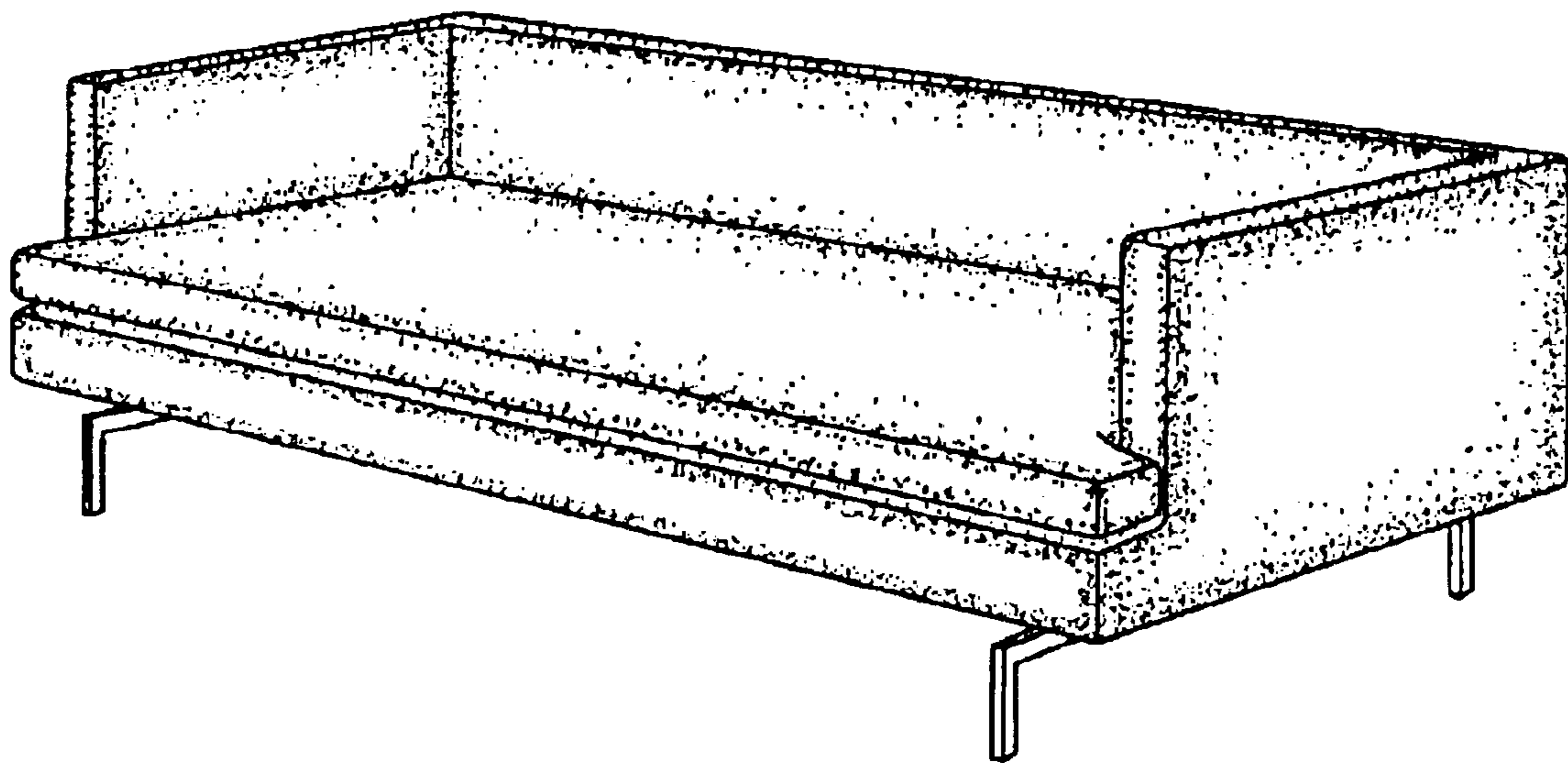


FIG. 2

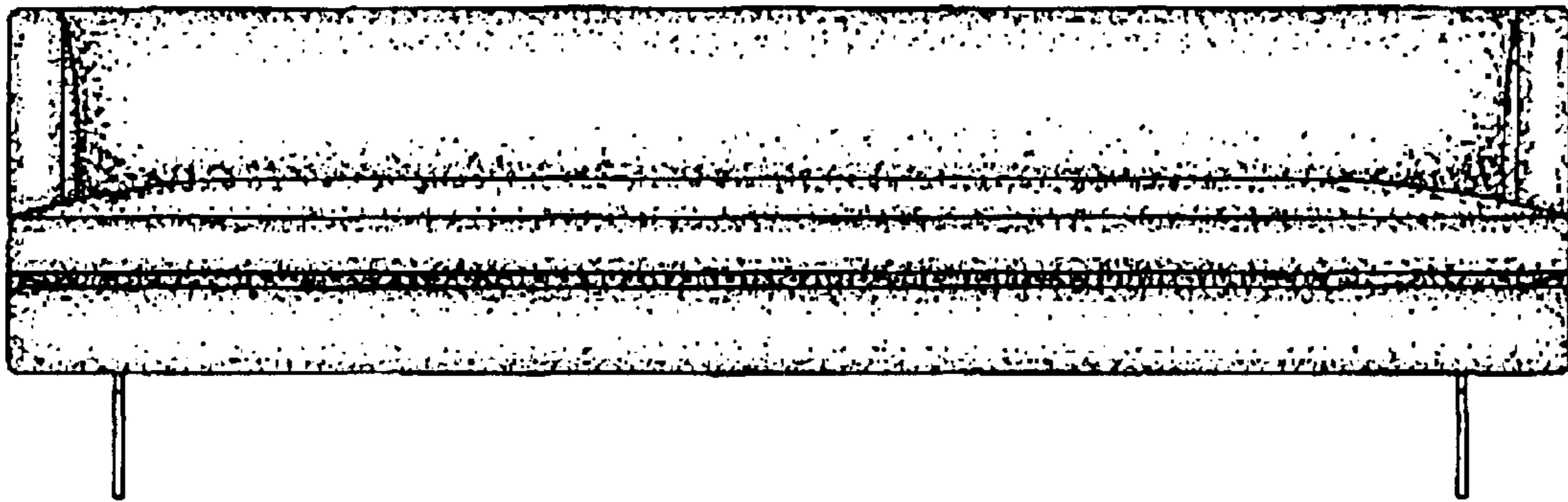


FIG. 3

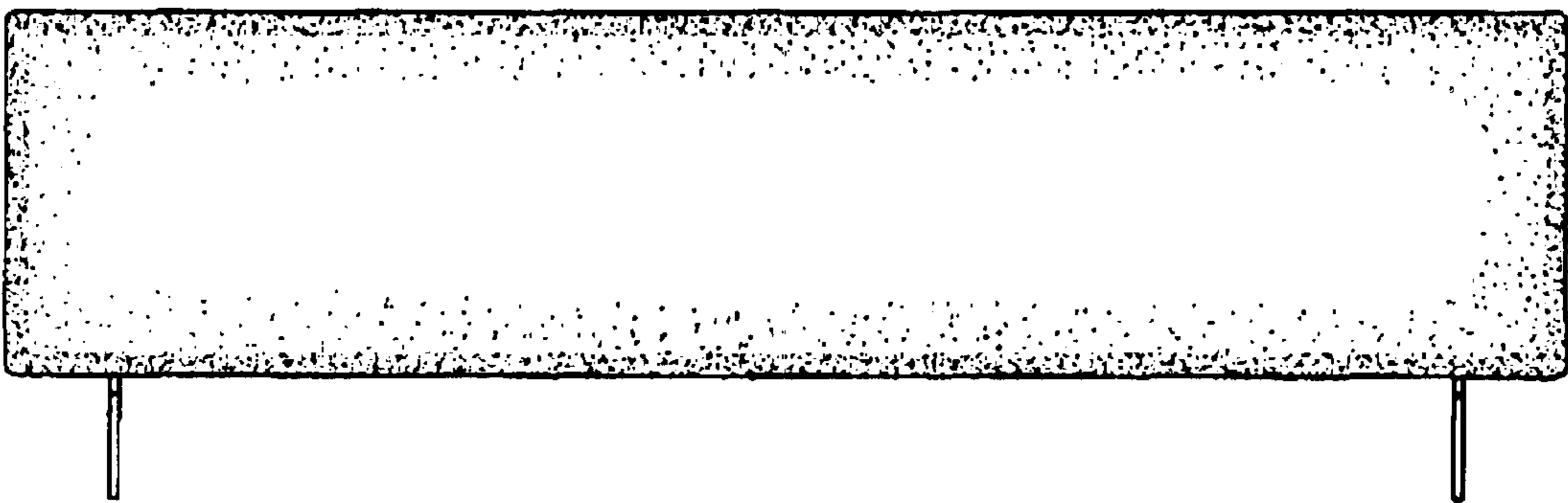


FIG. 4

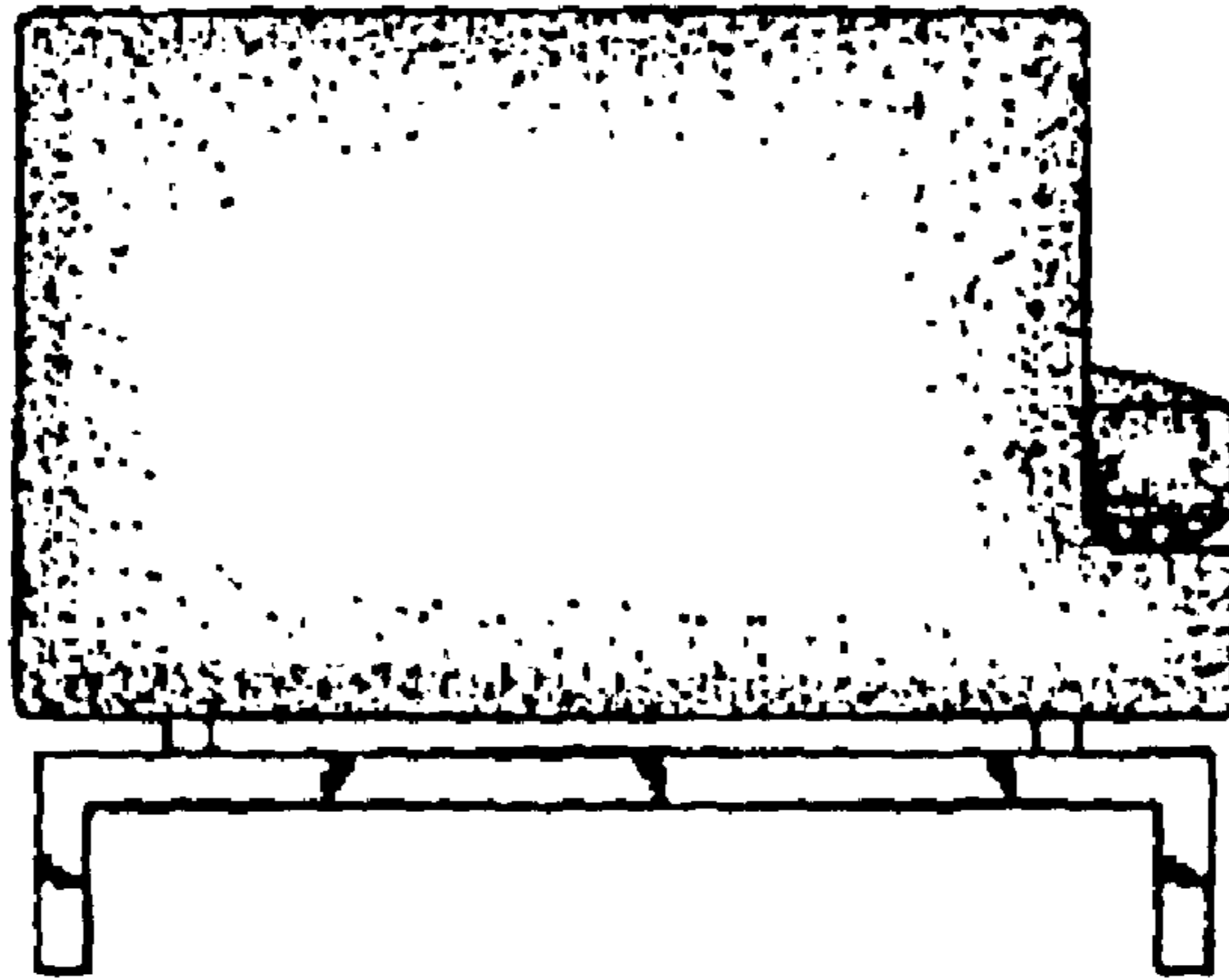


FIG. 5

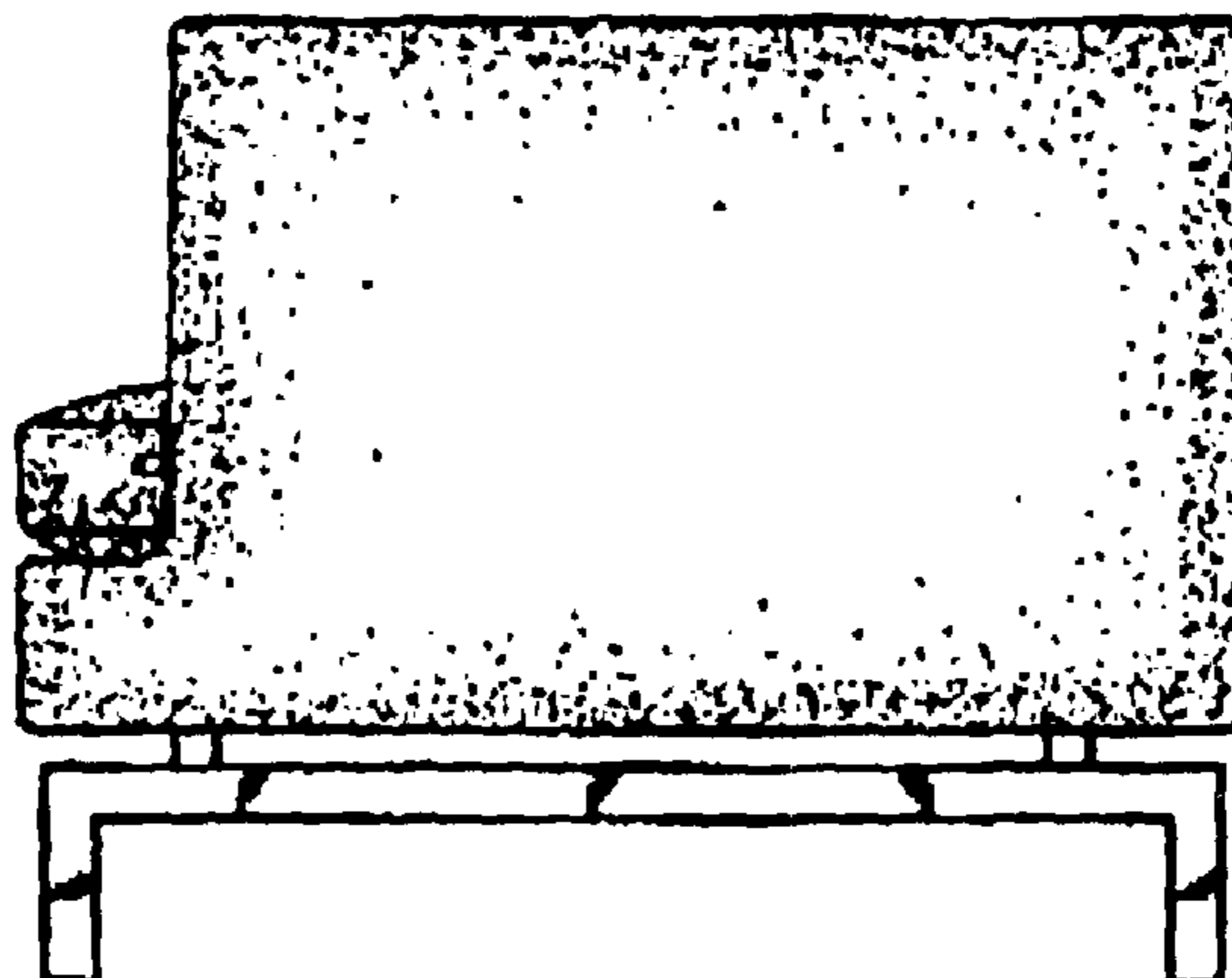


FIG. 6



FIG. 7

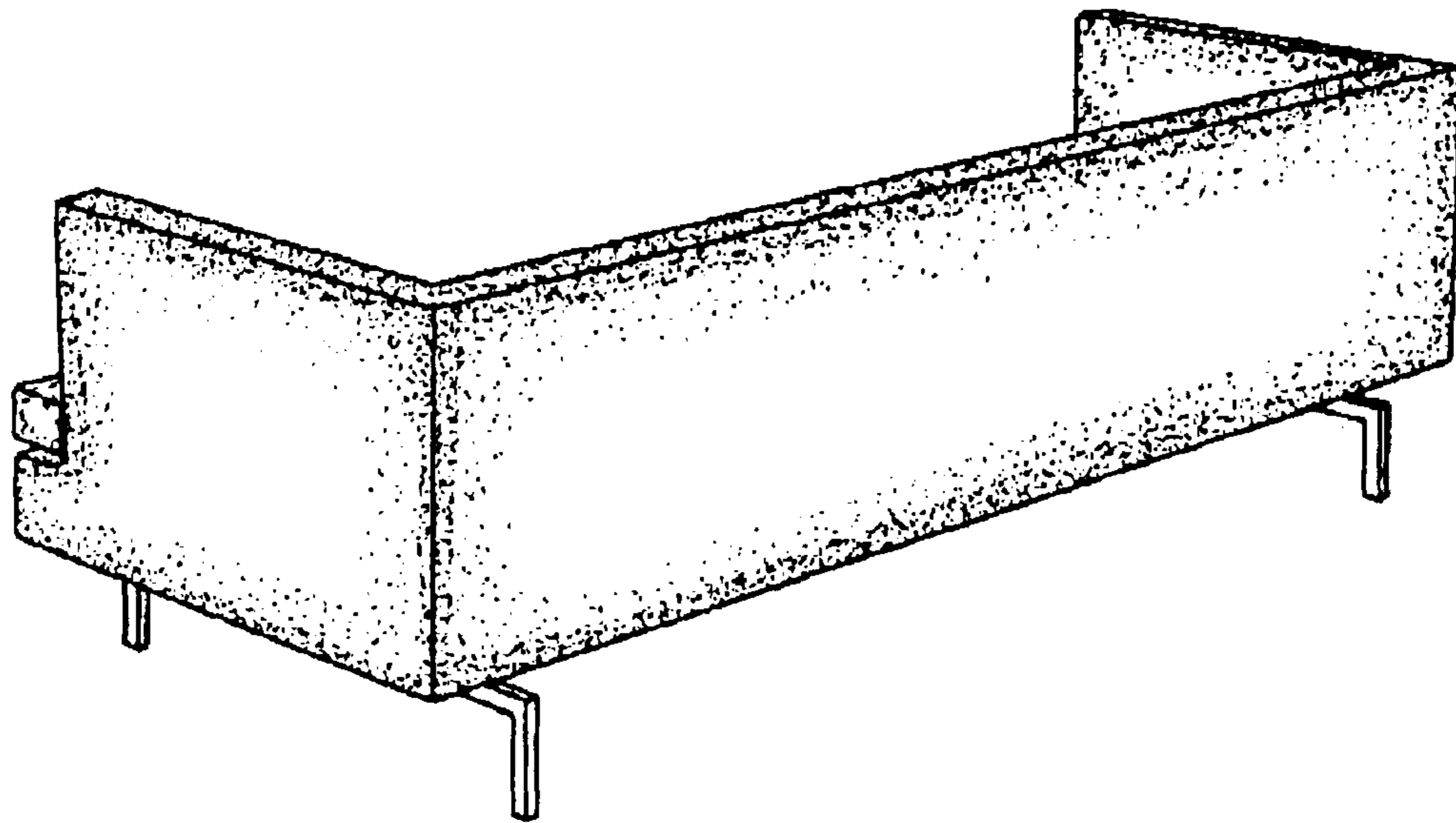


FIG. 8

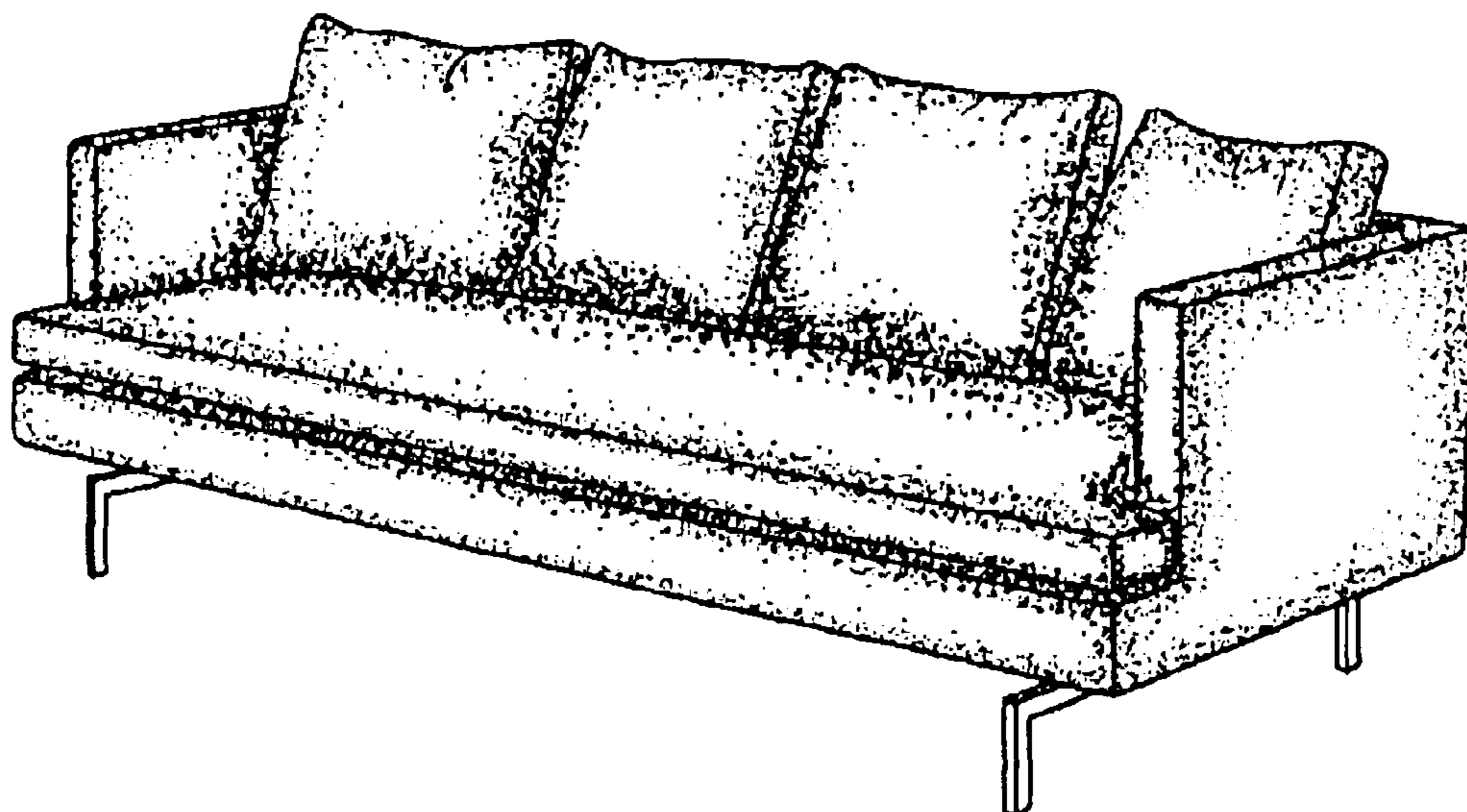


FIG. 9

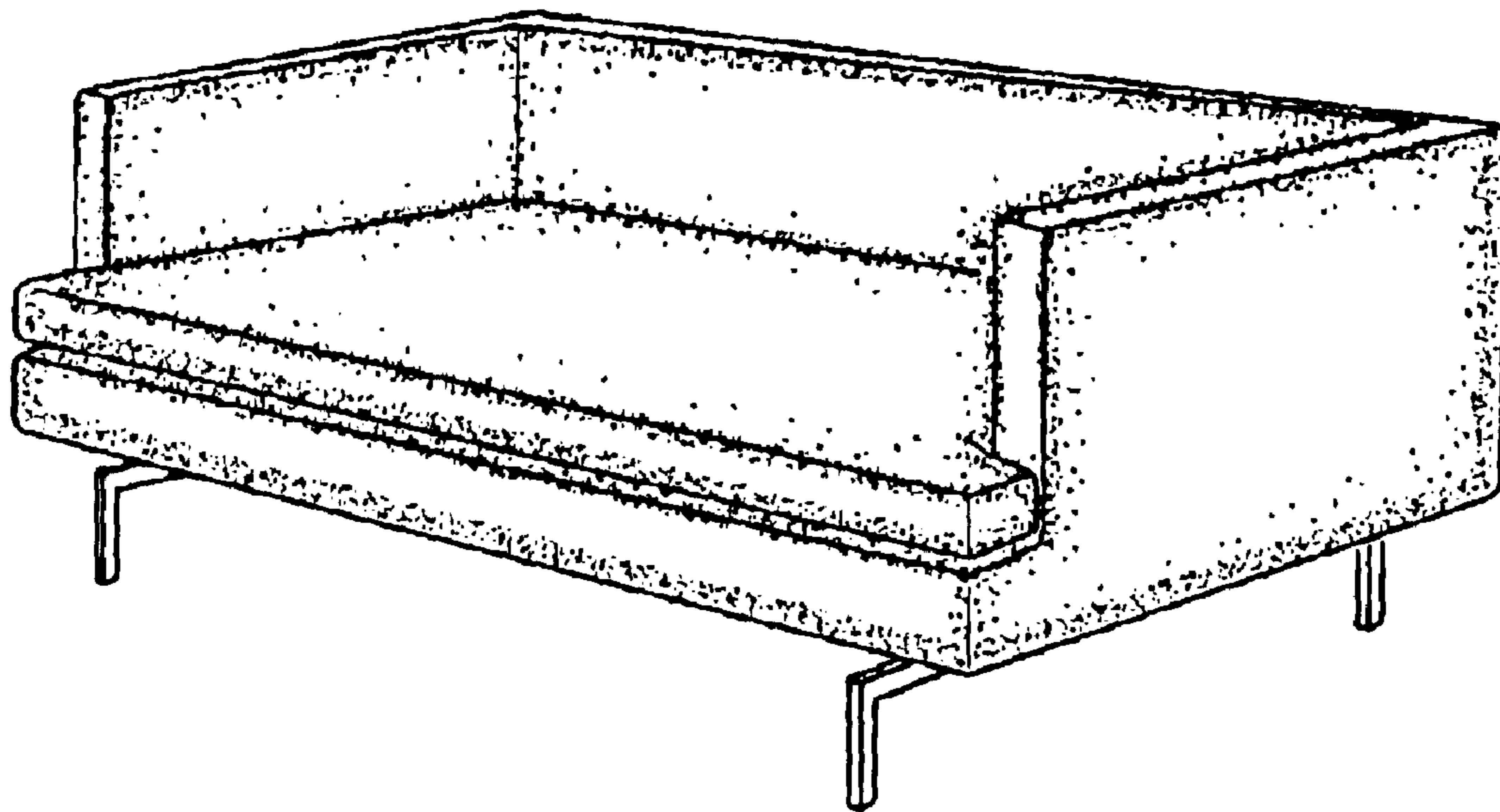


FIG. 10

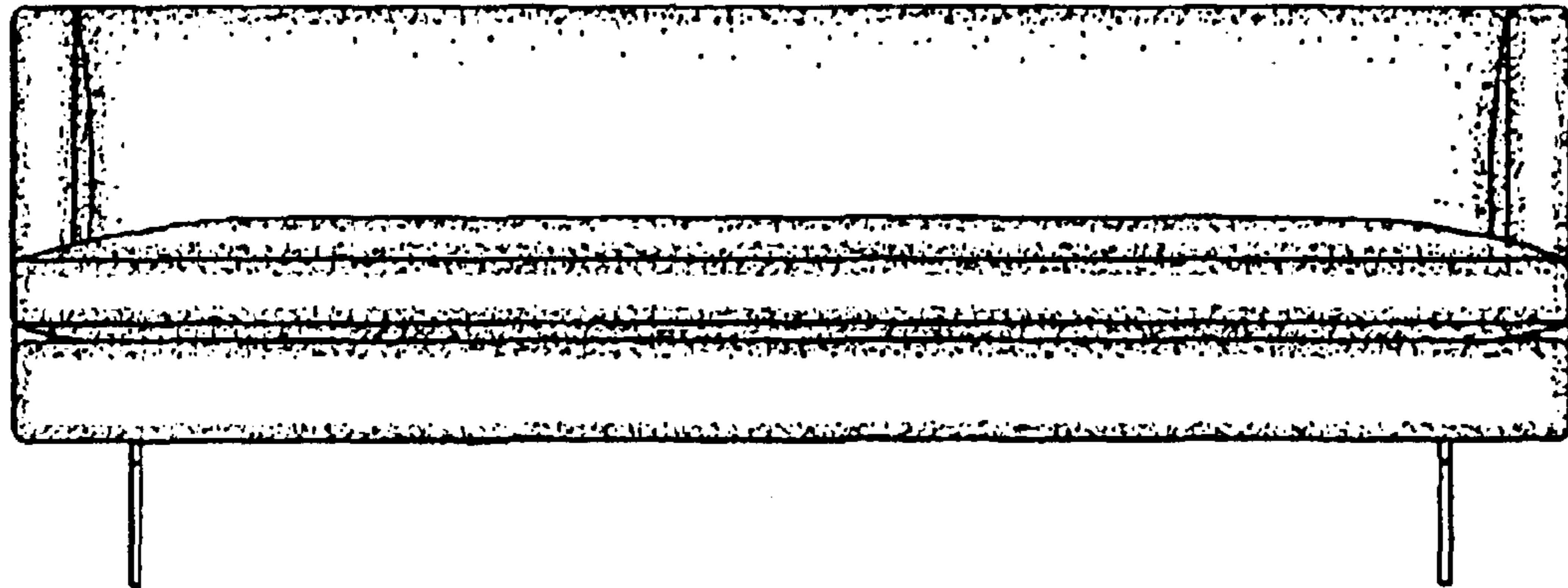


FIG. 11

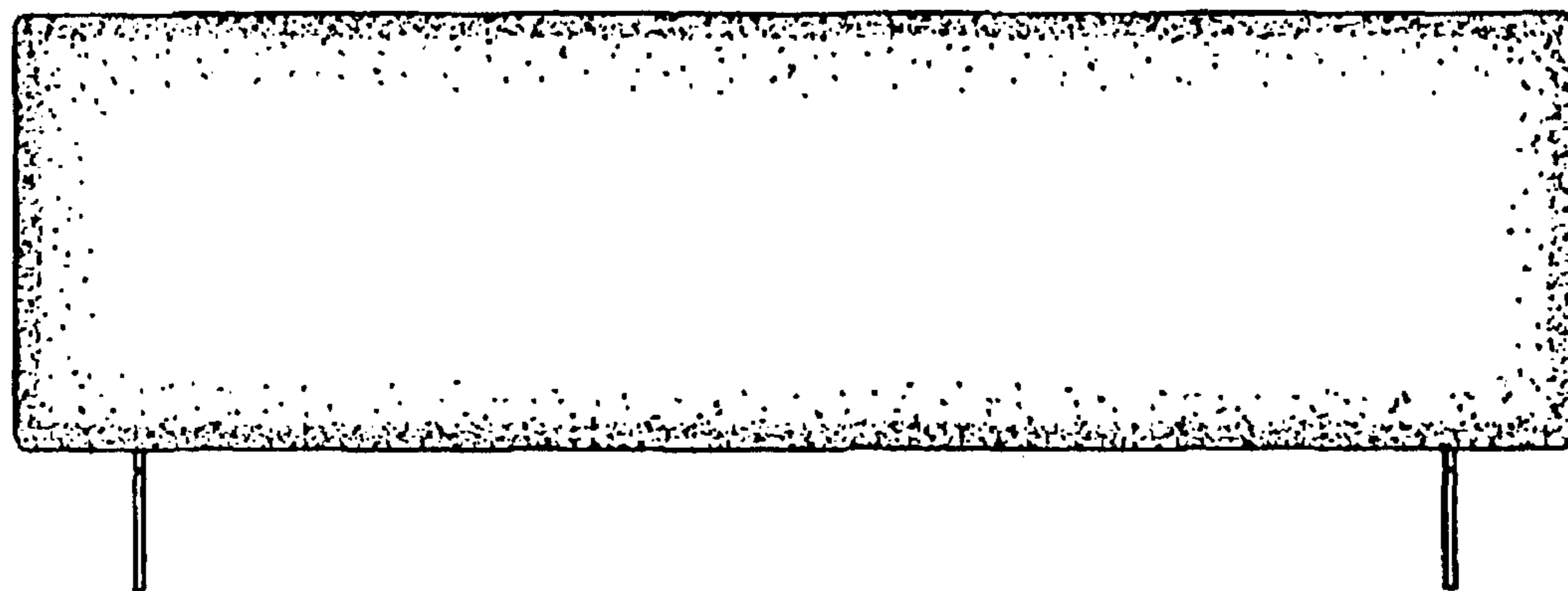


FIG. 12

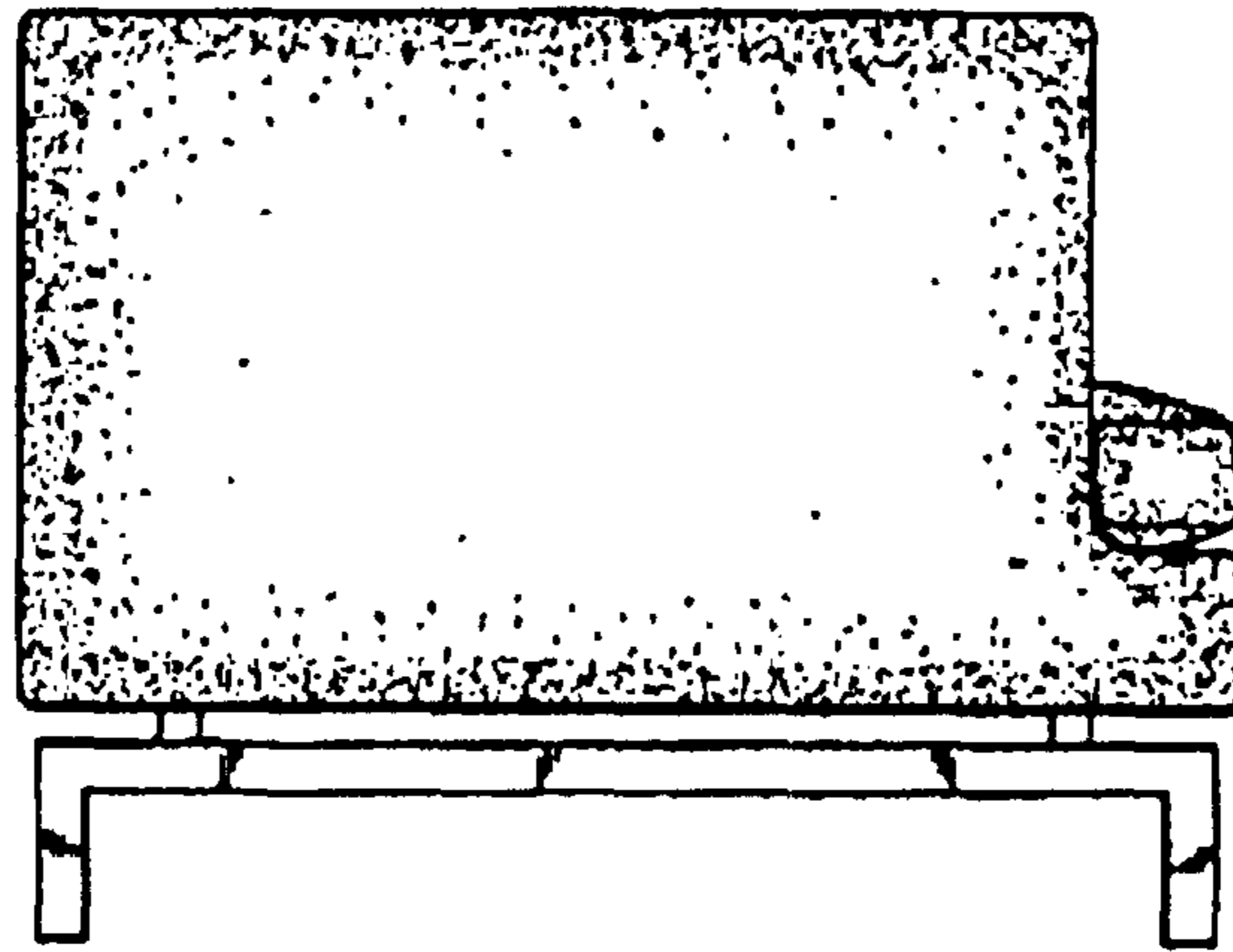


FIG. 13

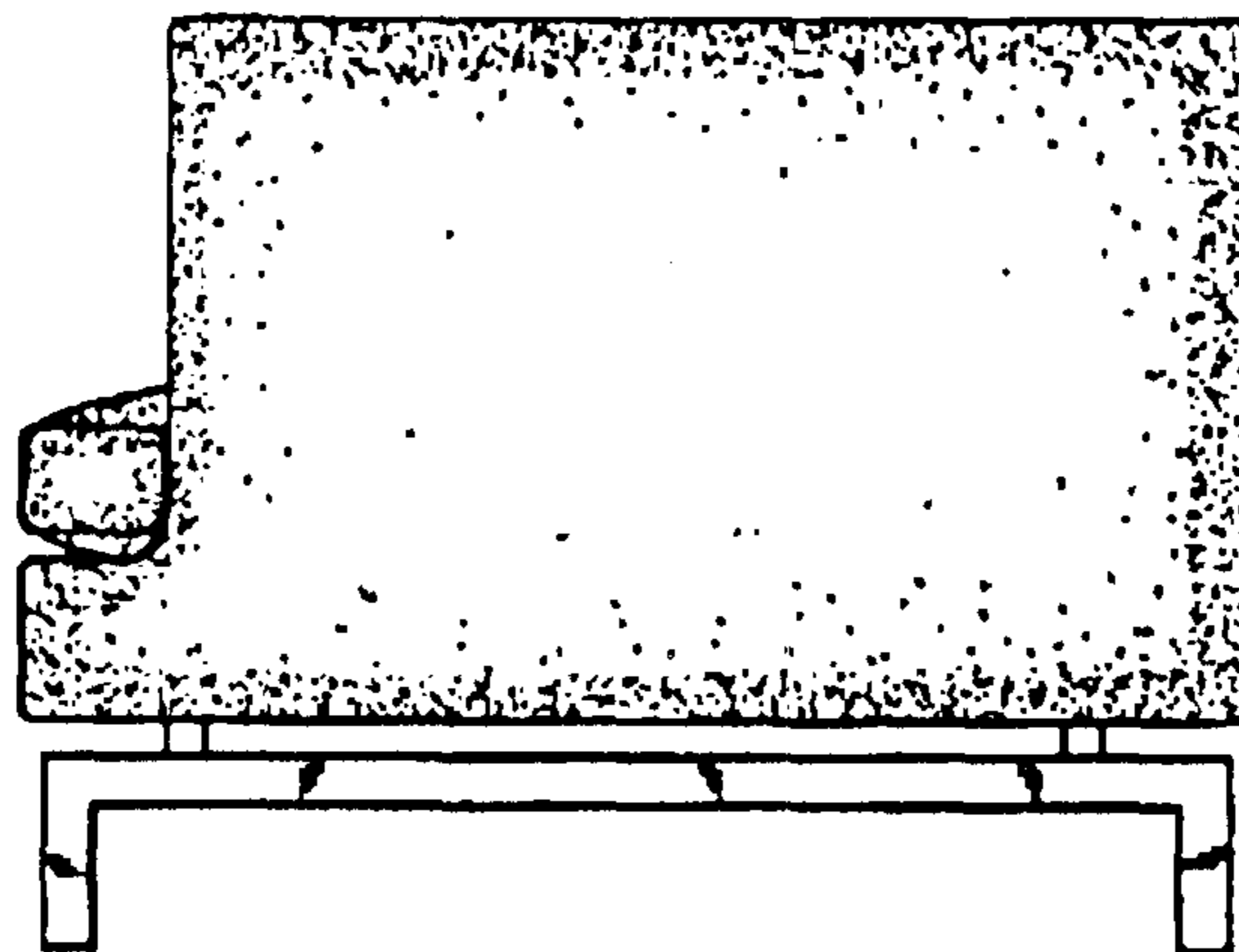


FIG. 14

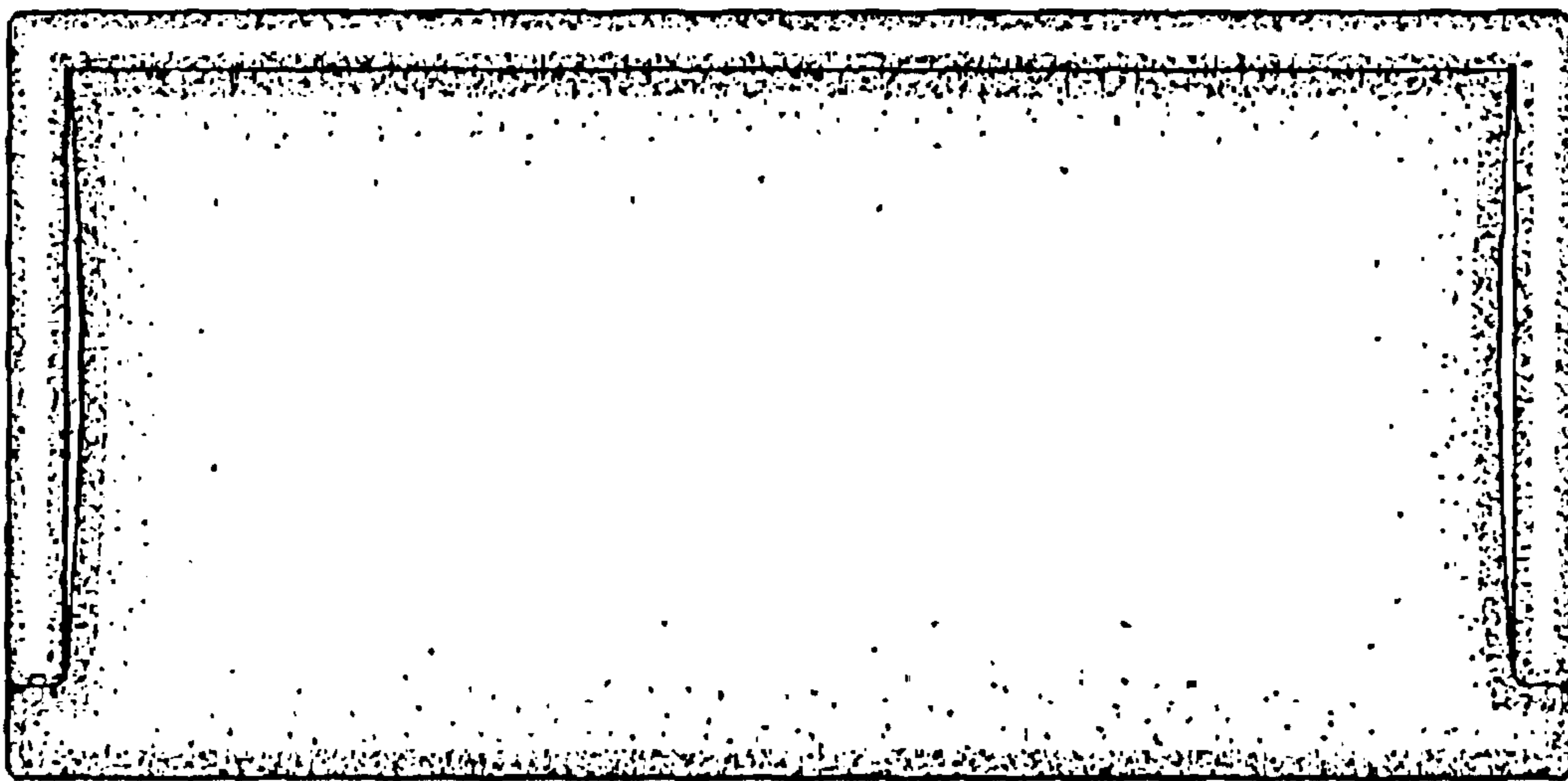


FIG. 15

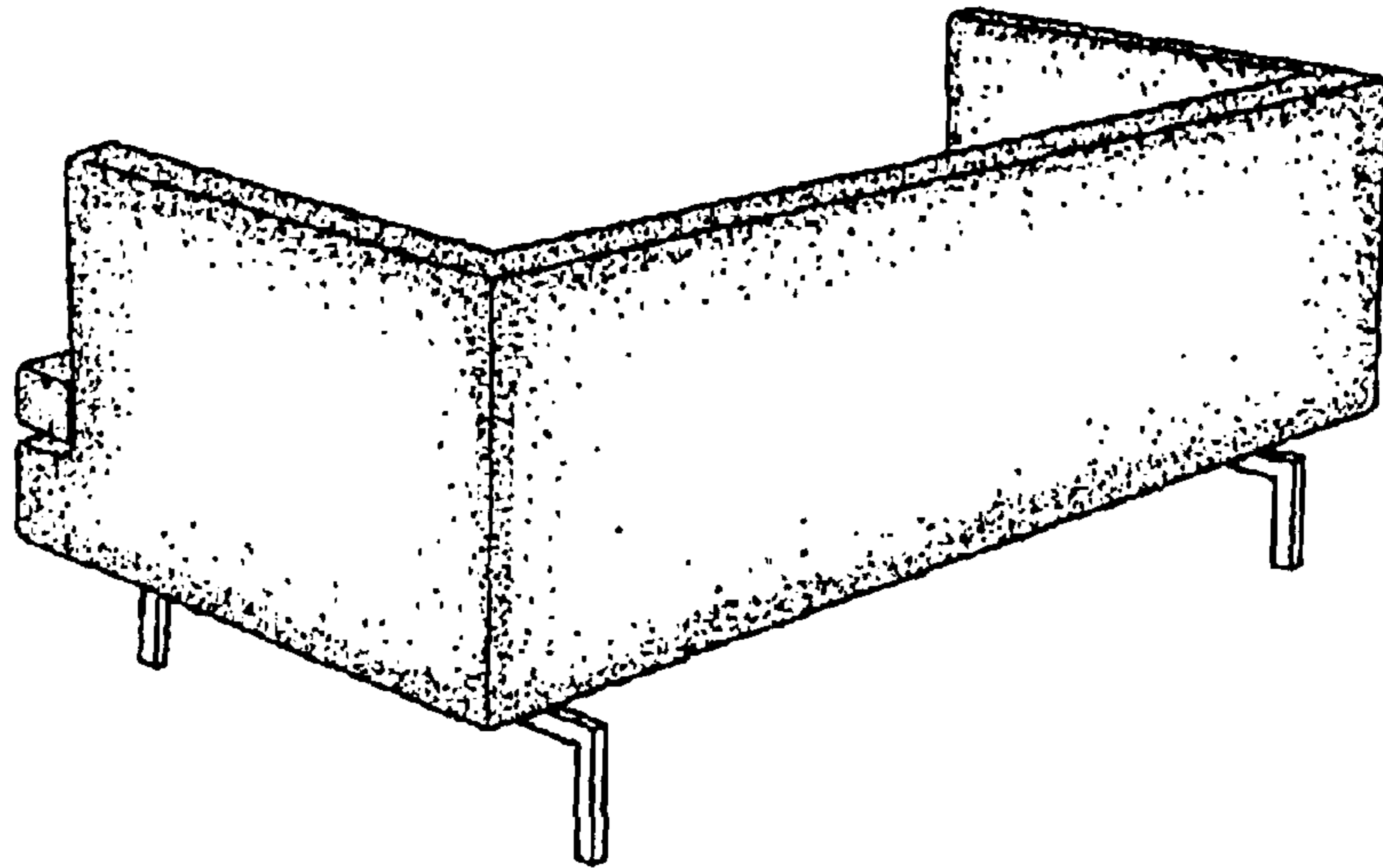


FIG. 16

