

US00D498073S

(12) **United States Design Patent**
Dorigo

(10) **Patent No.: US D498,073 S**

(45) **Date of Patent: ** Nov. 9, 2004**

(54) **SEAT**

(75) **Inventor: Fiorenzo Dorigo, Conegliano (IT)**

(73) **Assignee: Battocchio Srl, Tezze Sul Brenta (IL)**

(**) **Term: 14 Years**

(21) **Appl. No.: 29/179,850**

(22) **Filed: Apr. 16, 2003**

(30) **Foreign Application Priority Data**

Oct. 18, 2002 (WO) DM/062 328

(51) **LOC (7) Cl. 06-01**

(52) **U.S. Cl. D6/380**

(58) **Field of Search** D6/334, 335, 364,
D6/365, 366, 367, 374, 380, 500, 501,
502; 297/411.1, 411.27, 411.28, 411.36,
445.1, 446.1

(56) **References Cited**

U.S. PATENT DOCUMENTS

D20,575 S	*	3/1891	Wilson	D6/380
D179,036 S	*	10/1956	Rothenstein	D6/334
D253,679 S	*	12/1979	Lubke	D6/334
D273,350 S	*	4/1984	Cafiero	D6/366
D368,172 S	*	3/1996	Locher	D6/366
D369,687 S	*	5/1996	Hafner et al.	D6/366
D395,761 S	*	7/1998	Saul	D6/366
D407,911 S	*	4/1999	Brauning	D6/366

D417,101 S	*	11/1999	DeSanta et al.	D6/500
D417,966 S	*	12/1999	Beaulieu	D6/366
D418,316 S	*	1/2000	Vogtherr	D6/366
D420,224 S	*	2/2000	Olson	D6/366
D427,786 S	*	7/2000	Vu	D6/334
D437,701 S	*	2/2001	Bellini et al.	D6/366
D446,033 S	*	8/2001	Koepke et al.	D6/366
D468,564 S	*	1/2003	Piretti et al.	D6/500
D472,722 S	*	4/2003	Moll	D6/366
D477,469 S	*	7/2003	Brooks	D6/366

* cited by examiner

Primary Examiner—Gary D. Watson

(74) *Attorney, Agent, or Firm*—Stevens, Davis, Miller & Mosher, LLP

(57) **CLAIM**

The ornamental design of a seat, as shown and described.

DESCRIPTION

FIG. 1 is a front view of the seat;
FIG. 2 is a left-side view of the seat of FIG. 1.
FIG. 3 is a right-side view of the seat of FIG. 1.
FIG. 4 is a back view of the seat of FIG. 1.
FIG. 5 is a top view of the seat of FIG. 1.
FIG. 6 is a bottom view of the seat of FIG. 1; and,
FIG. 7 is a perspective view of the seat of FIG. 1.
The broken lines shown on the seat and backrest are understood to represent stitching.

1 Claim, 7 Drawing Sheets

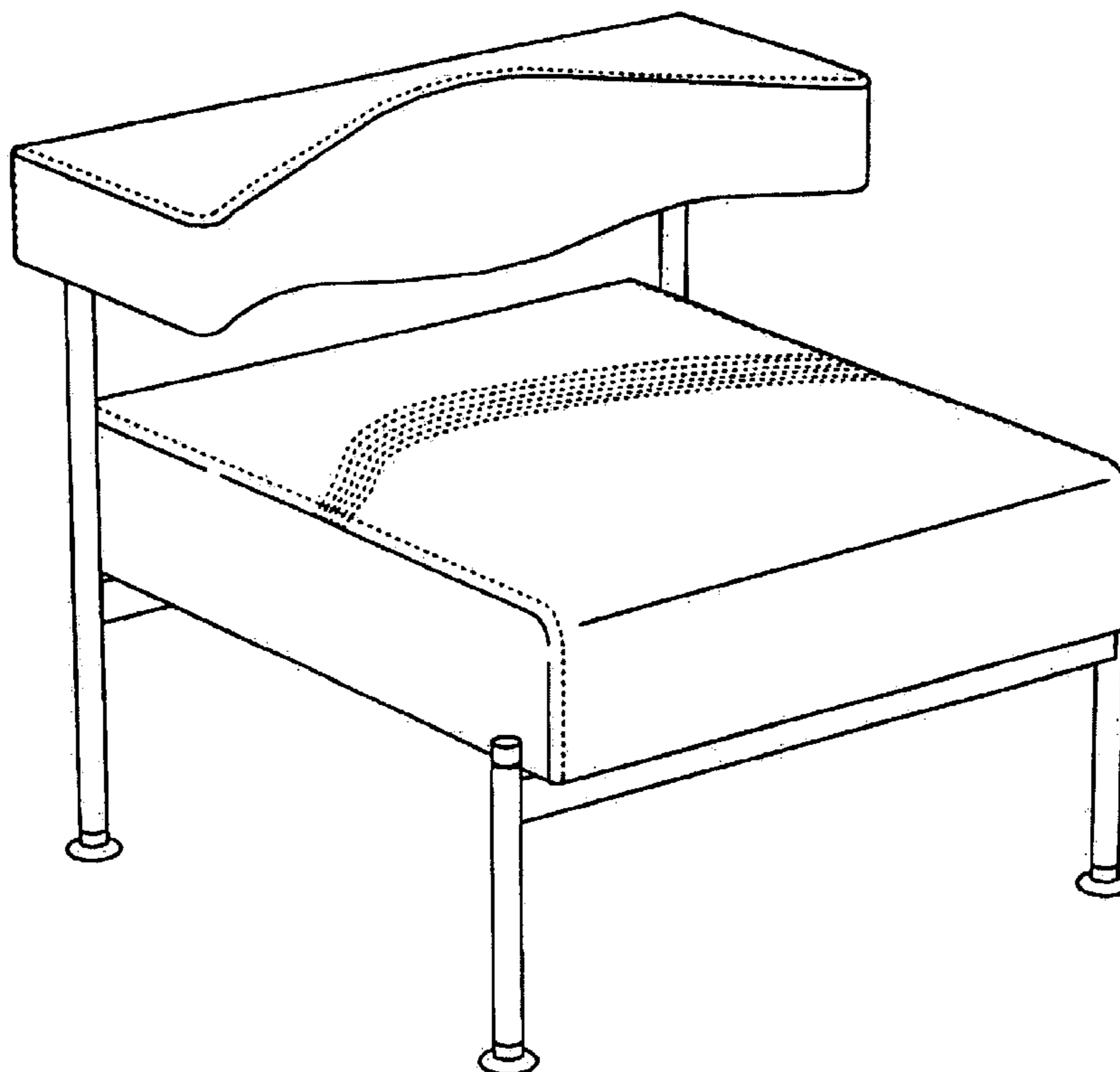


FIG. 1

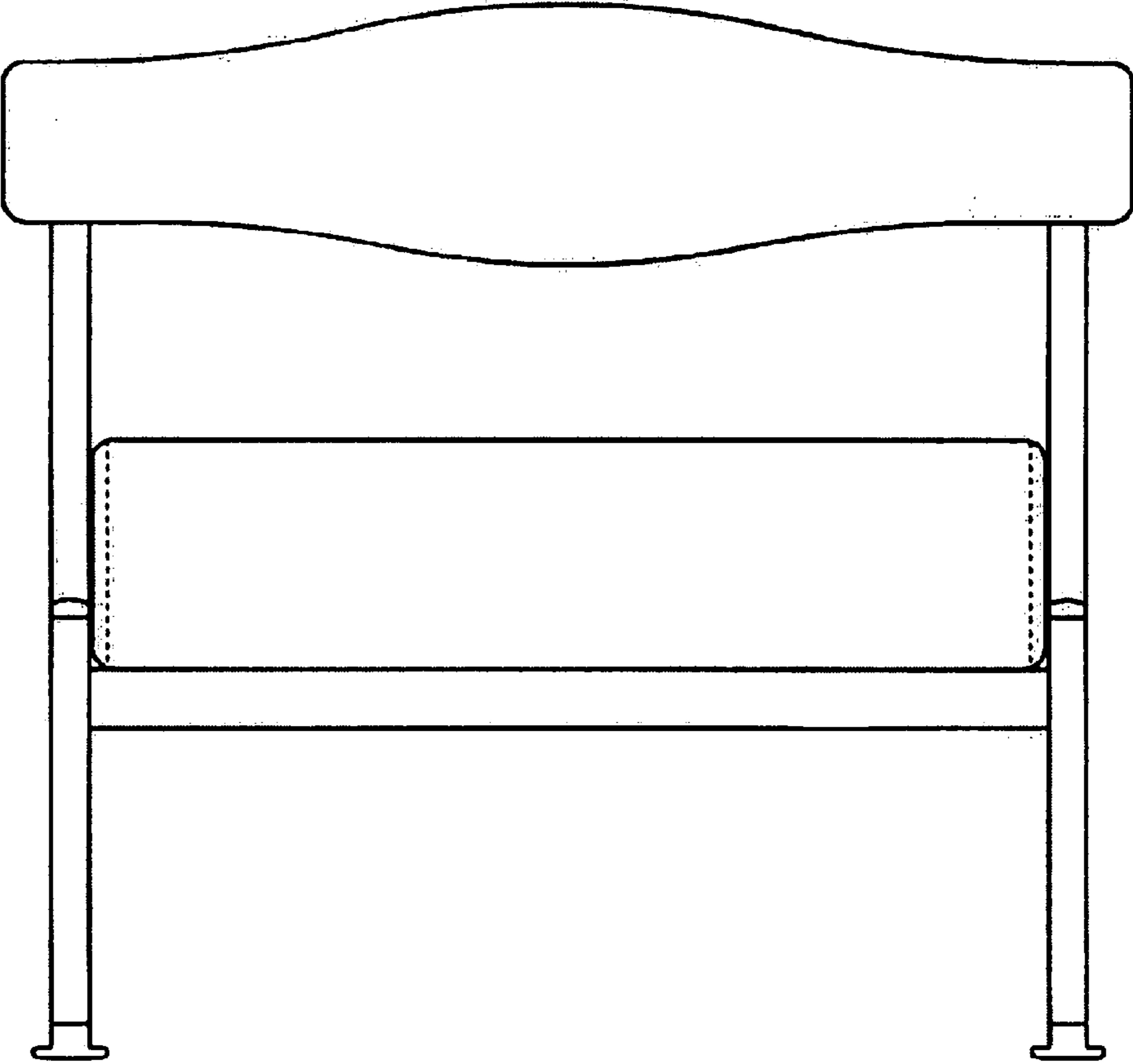


FIG. 2

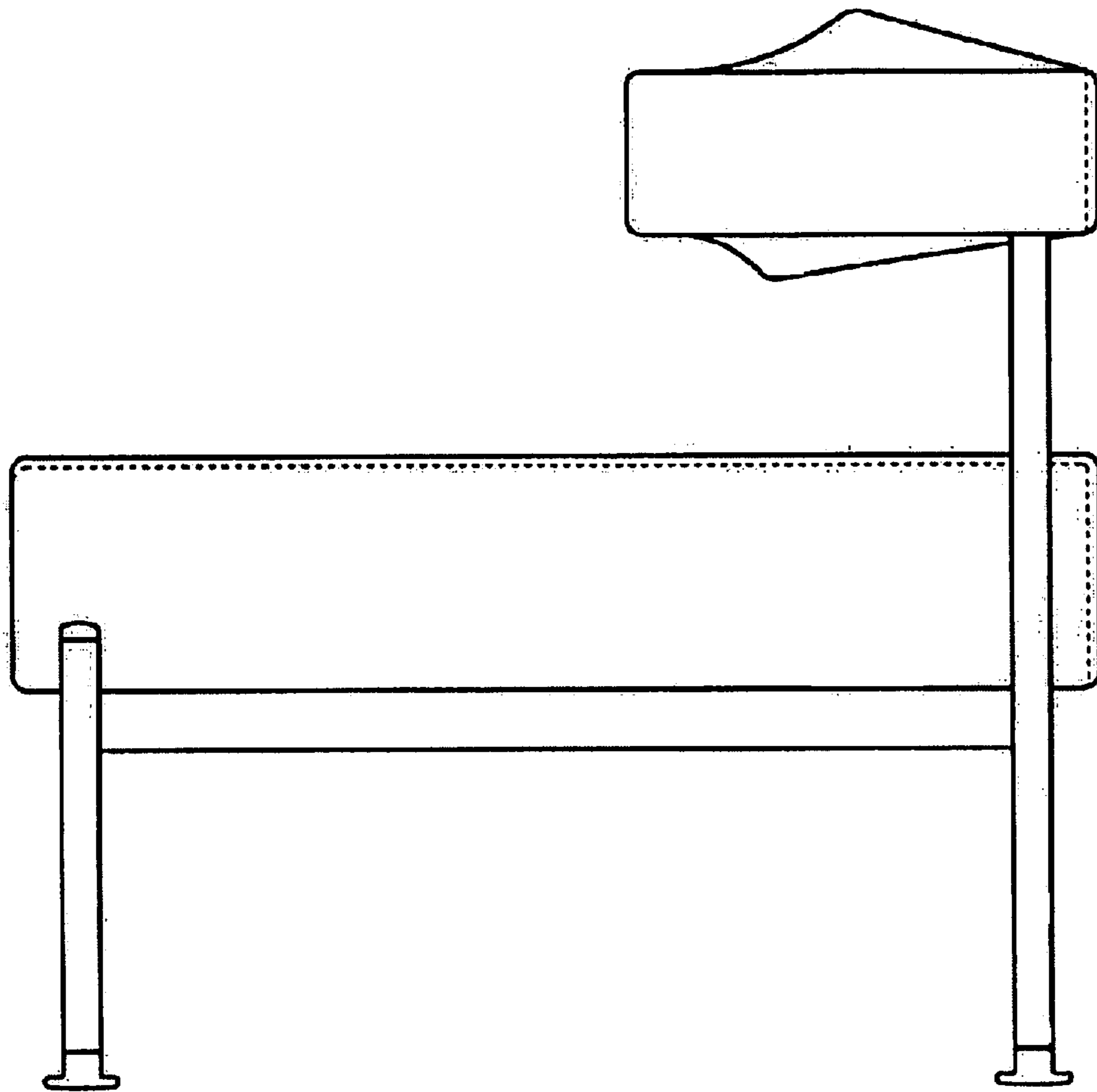


FIG. 3

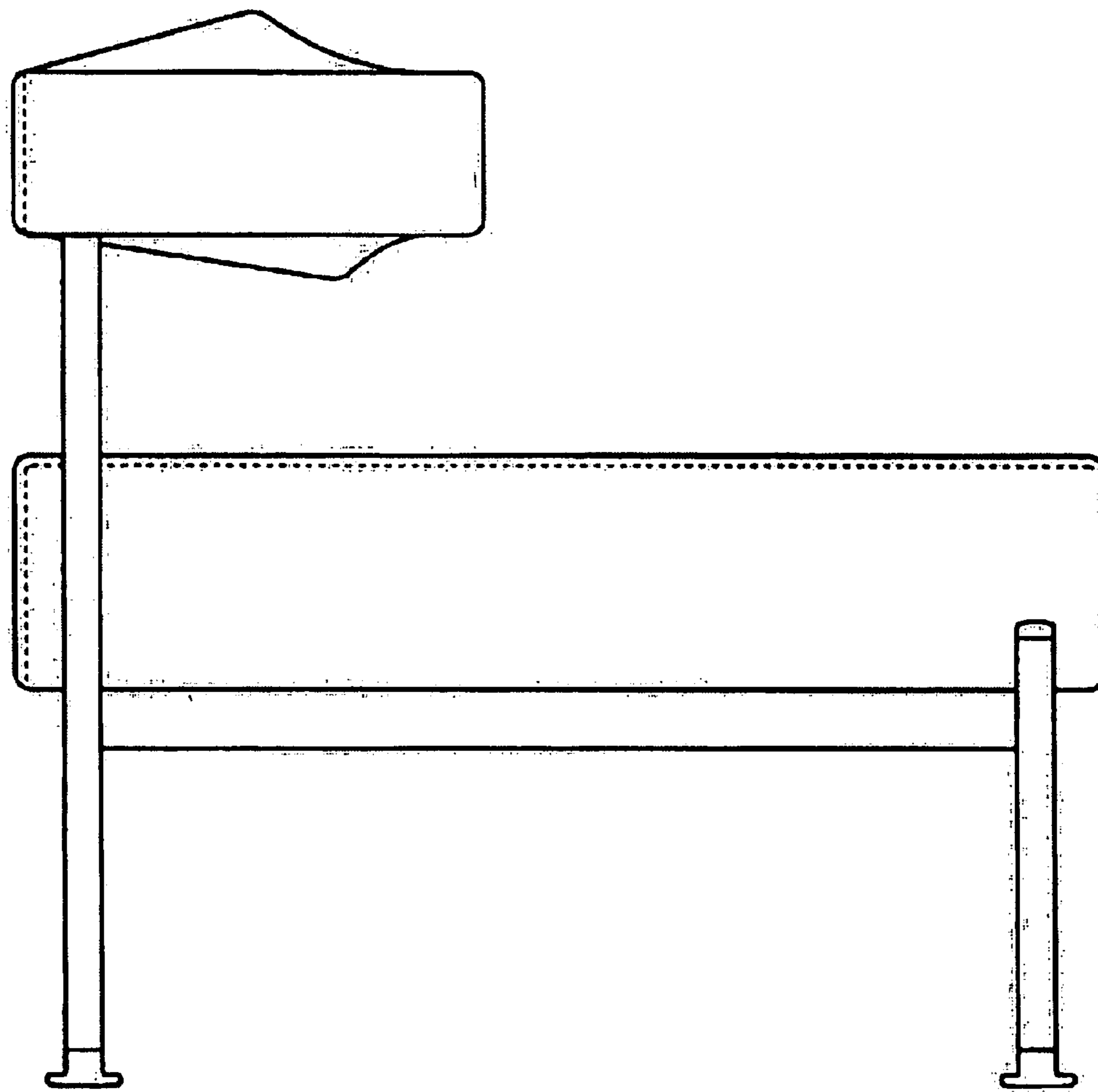


FIG. 4

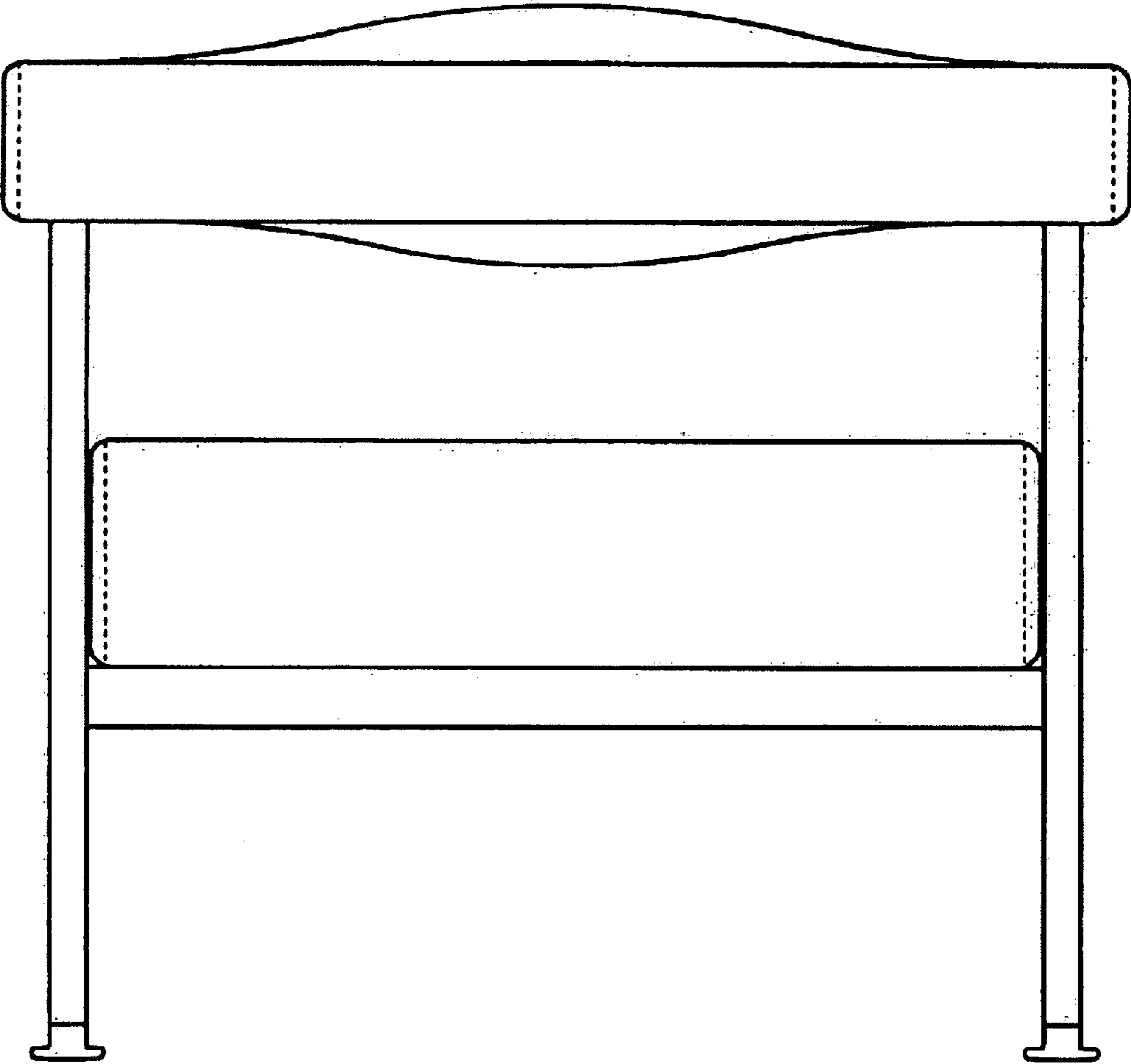


FIG. 5

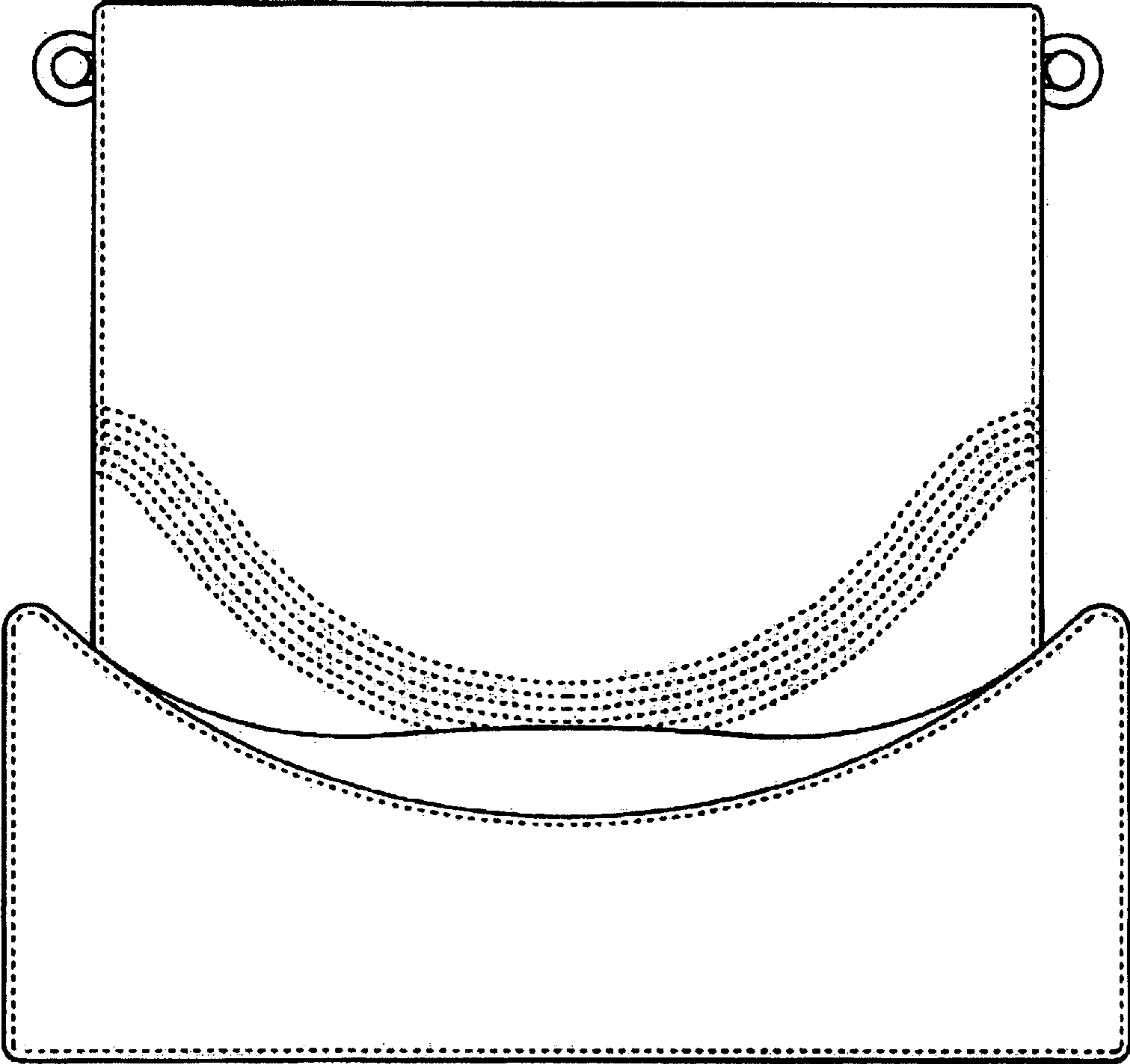


FIG. 6

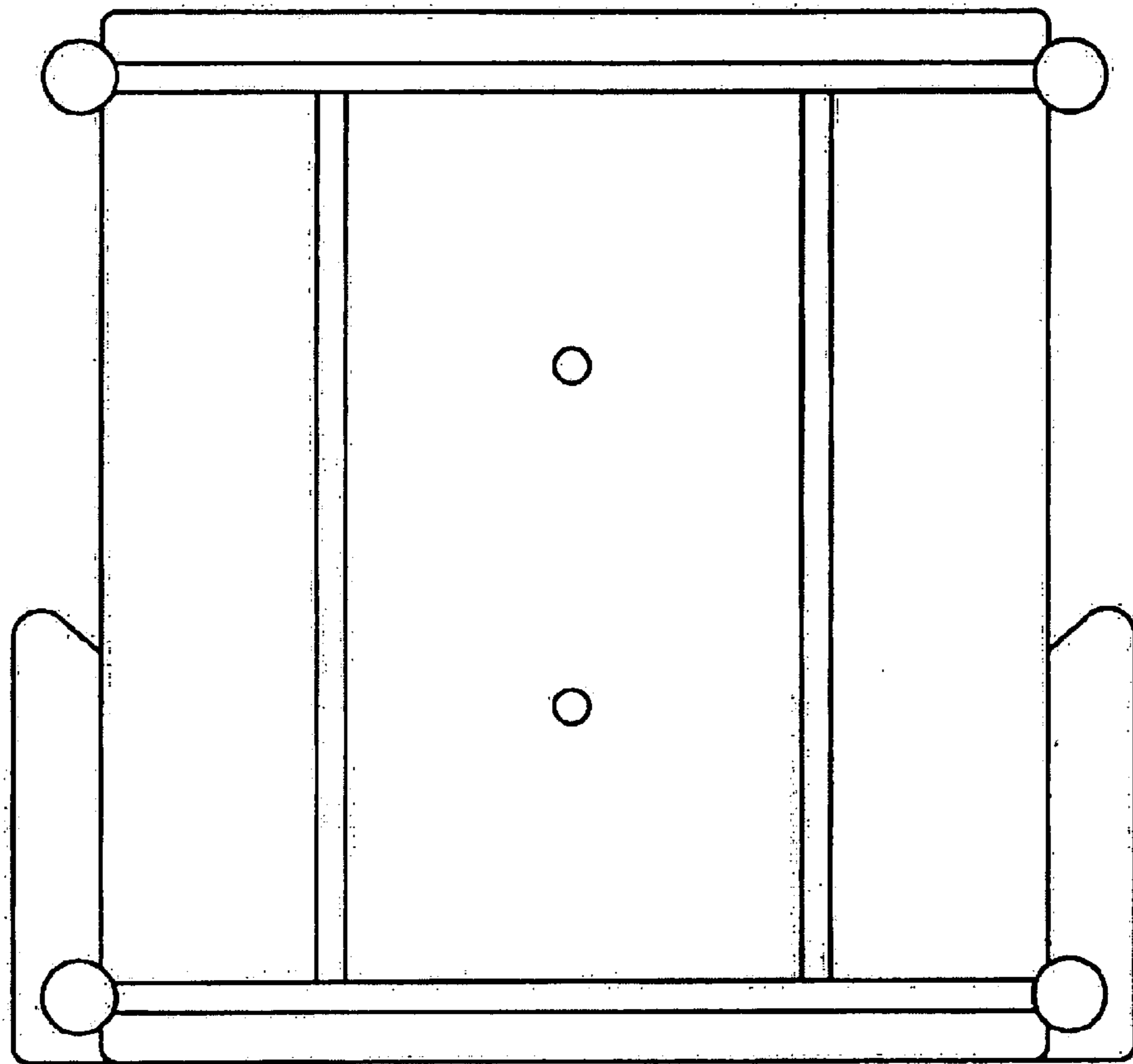


FIG. 7

