

US00D498069S

(12) **United States Design Patent**  
**Kreiss**

(10) **Patent No.:** **US D498,069 S**  
(45) **Date of Patent:** **\*\* Nov. 9, 2004**

- (54) **CHAIR**
- (75) Inventor: **Michael Kreiss**, San Diego, CA (US)
- (73) Assignee: **Kreiss Enterprises, Inc.**, San Diego, CA (US)
- (\*\*) Term: **14 Years**
- (21) Appl. No.: **29/179,564**
- (22) Filed: **Apr. 10, 2003**
- (51) **LOC (7) Cl.** ..... **06-01**
- (52) **U.S. Cl.** ..... **D6/369; D6/380**
- (58) **Field of Search** ..... D6/334, 335, 369, D6/374, 380, 500, 501, 502; 297/445.1, 446.1

D395,758 S \* 7/1998 Hutton ..... D6/334  
D478,430 S \* 8/2003 Olson ..... D6/380

\* cited by examiner

*Primary Examiner*—Gary D. Watson  
(74) *Attorney, Agent, or Firm*—Marvin H. Kleinberg;  
Marshall A. Lerner; Kleinberg & Lerner, LLP

(57) **CLAIM**

The ornamental design for a chair, as shown and described.

**DESCRIPTION**

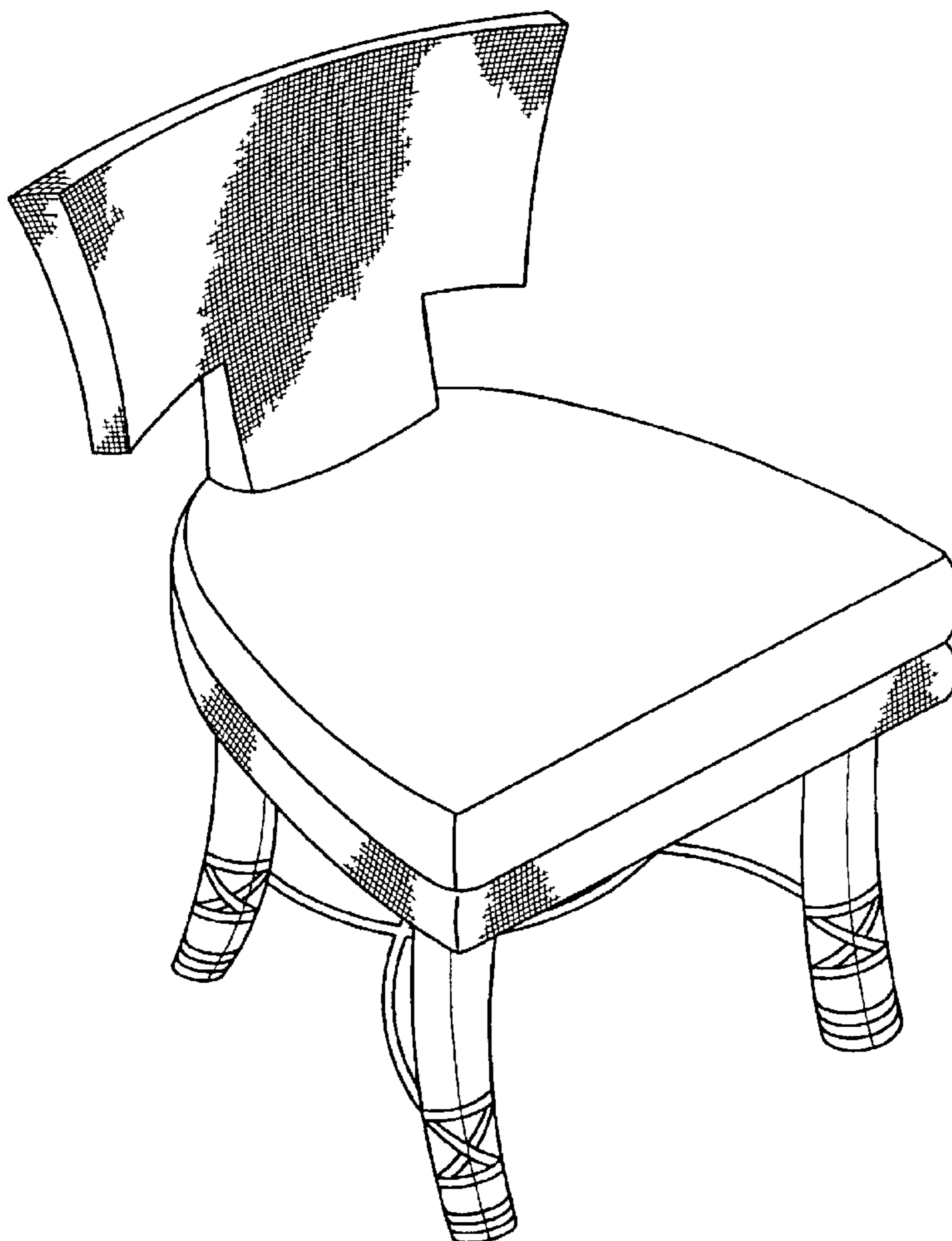
FIG. 1 is a perspective view of the chair of the present invention;  
FIG. 2 is a front elevational view of the chair of FIG. 1;  
FIG. 3 is a side elevational view of the chair of FIG. 1, the opposite side being a mirror image thereof;  
FIG. 4 is a top view of the chair of FIG. 1;  
FIG. 5 is a bottom view of the chair of FIG. 1; and,  
FIG. 6 is a rear elevational view of the chair of FIG. 1.  
The fragmented cross hatching shown in all views is understood to repeat uniformly throughout the circumscribed area.

(56) **References Cited**

**U.S. PATENT DOCUMENTS**

- 454,100 A \* 6/1891 Wilson ..... 297/445.1 X
- D205,658 S \* 9/1966 Muller ..... D6/374
- D334,296 S \* 3/1993 Hutton ..... D6/374

**1 Claim, 6 Drawing Sheets**



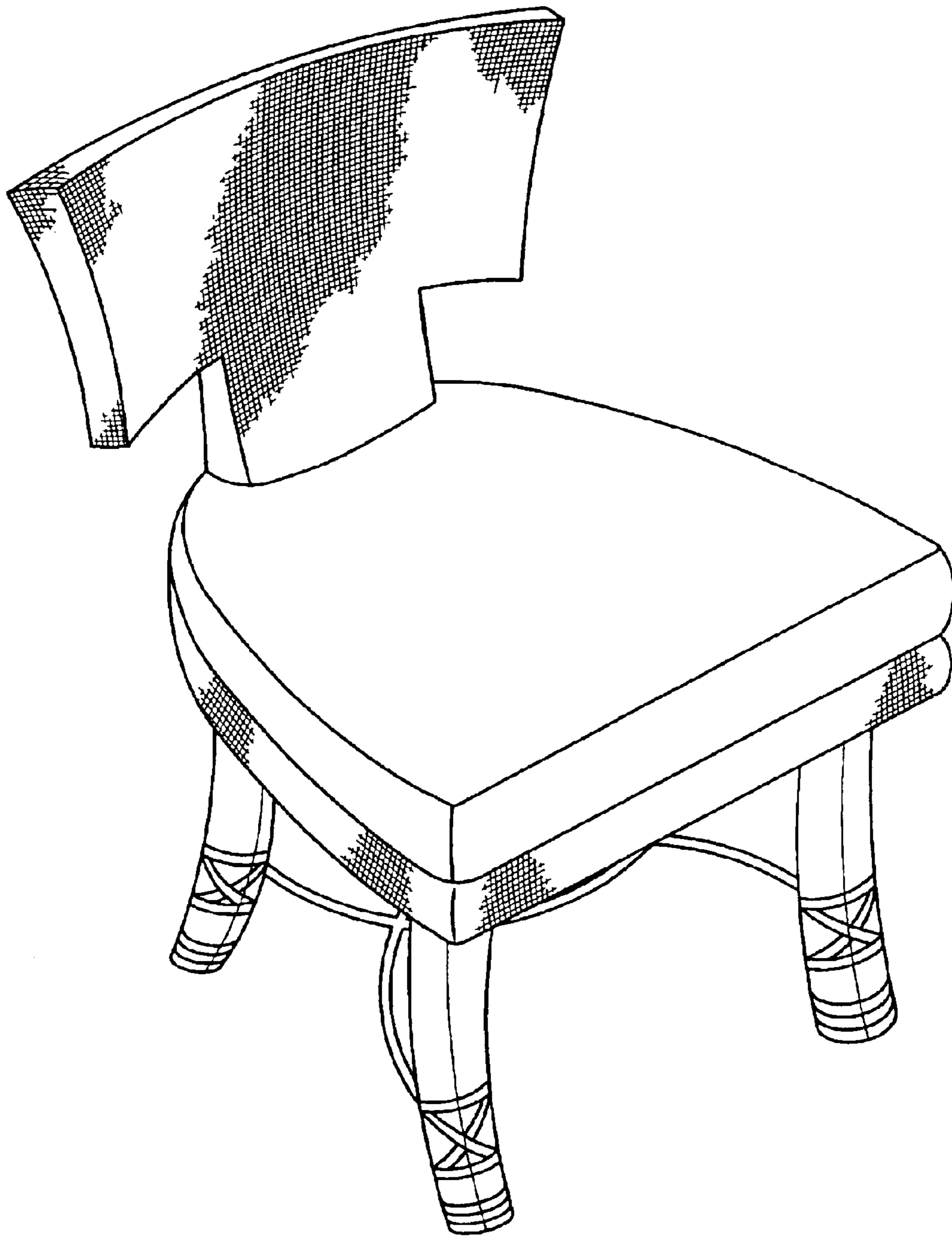


FIG. 1

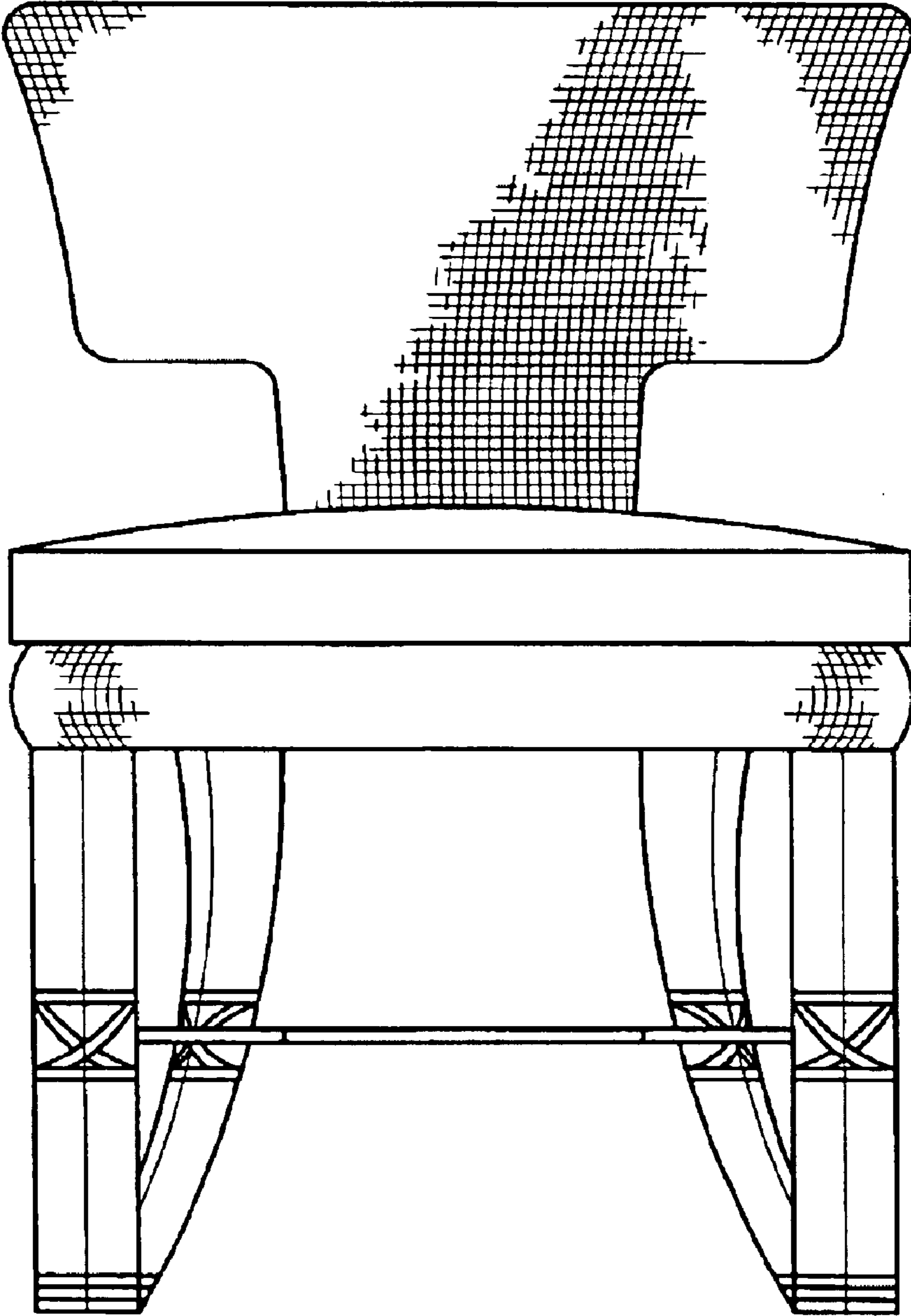


FIG. 2

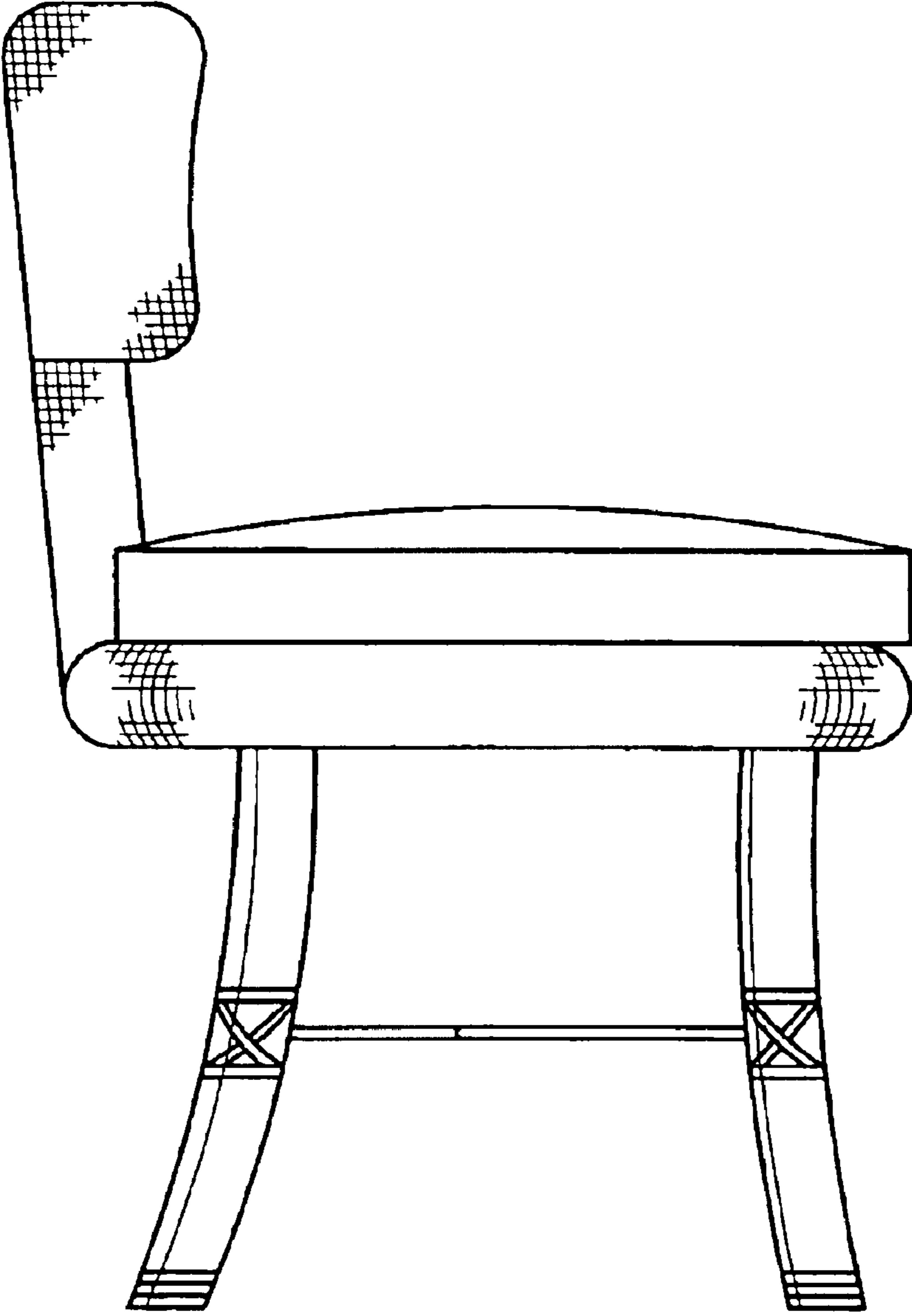


FIG. 3

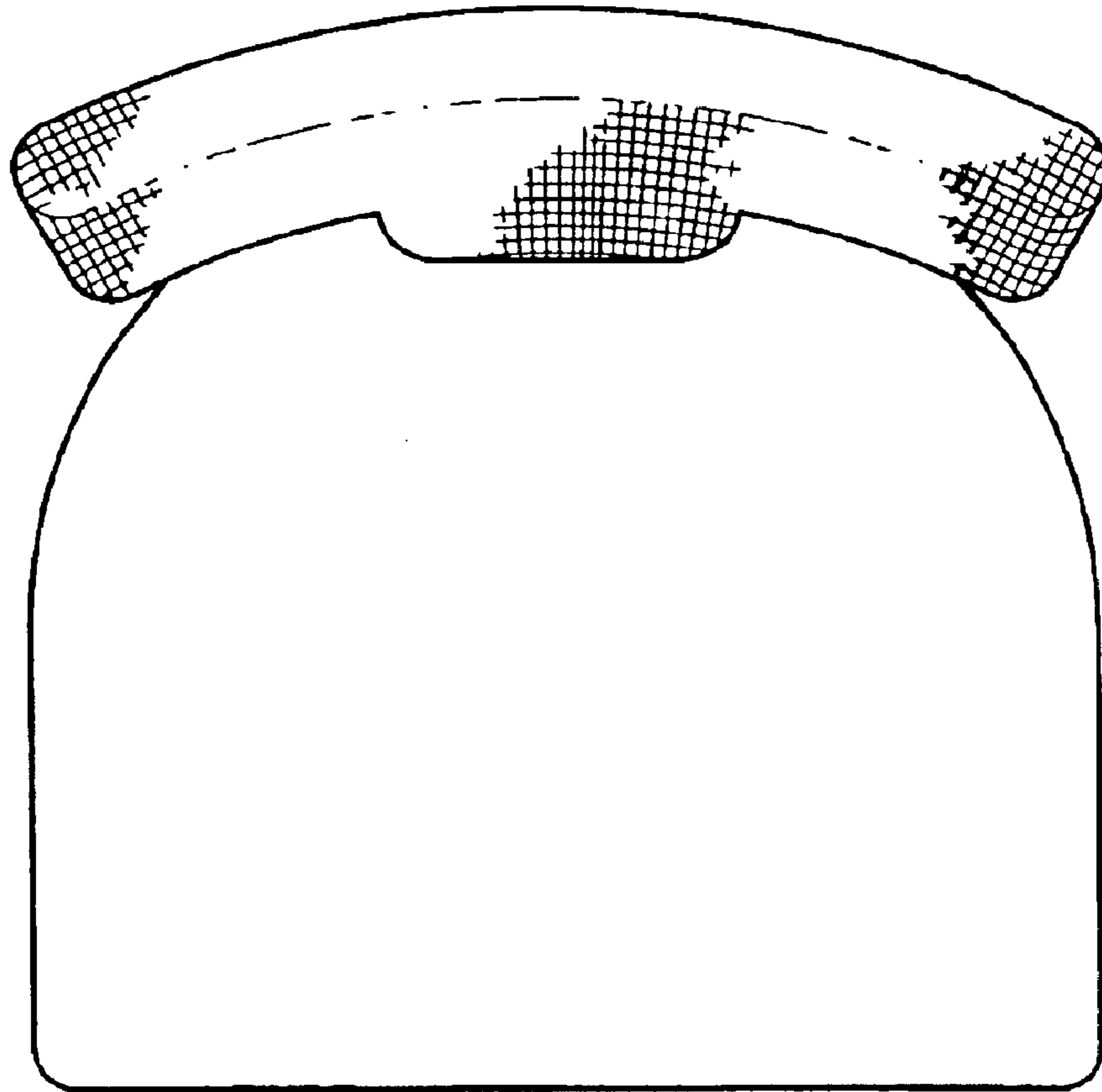


FIG. 4

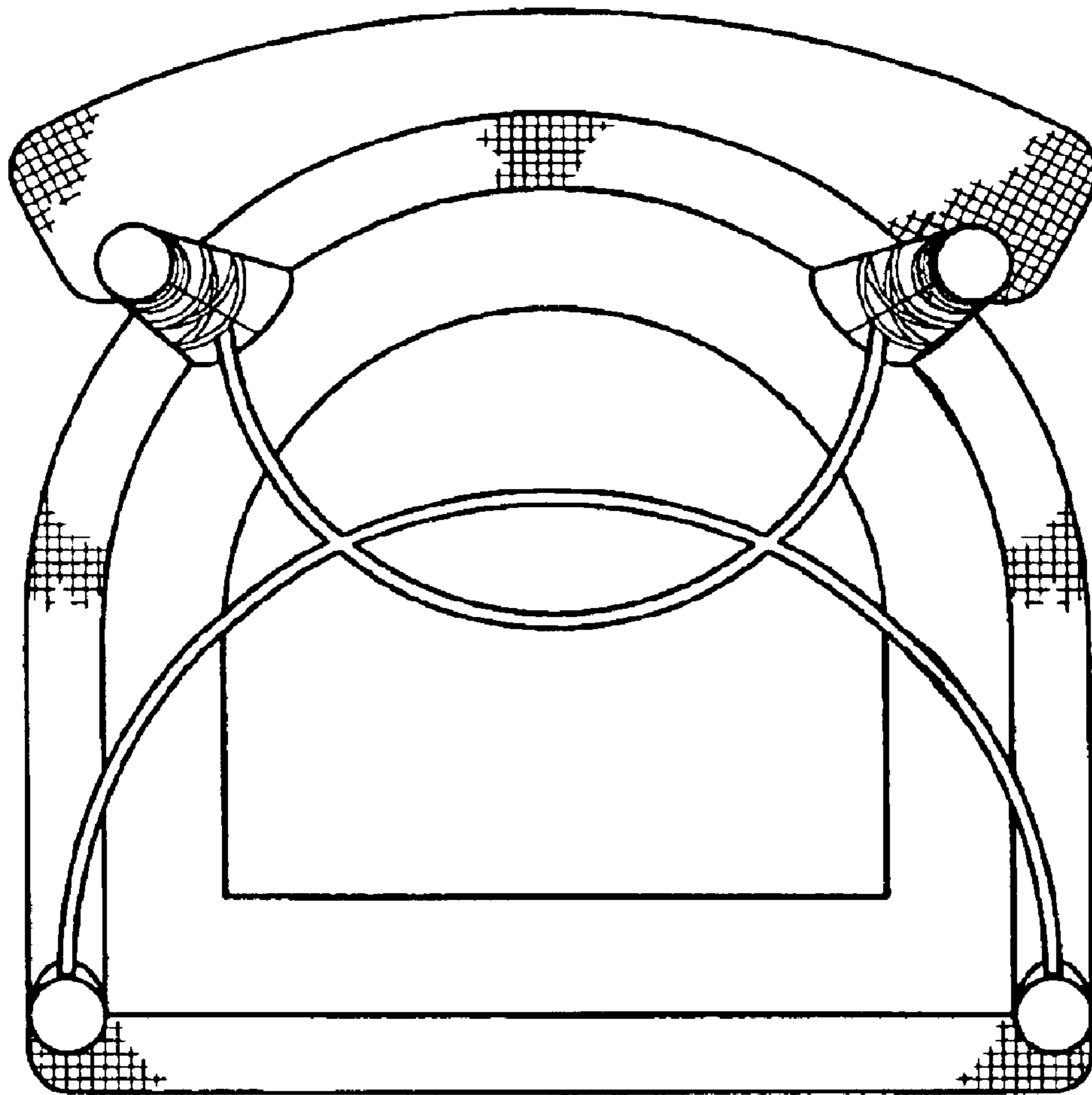
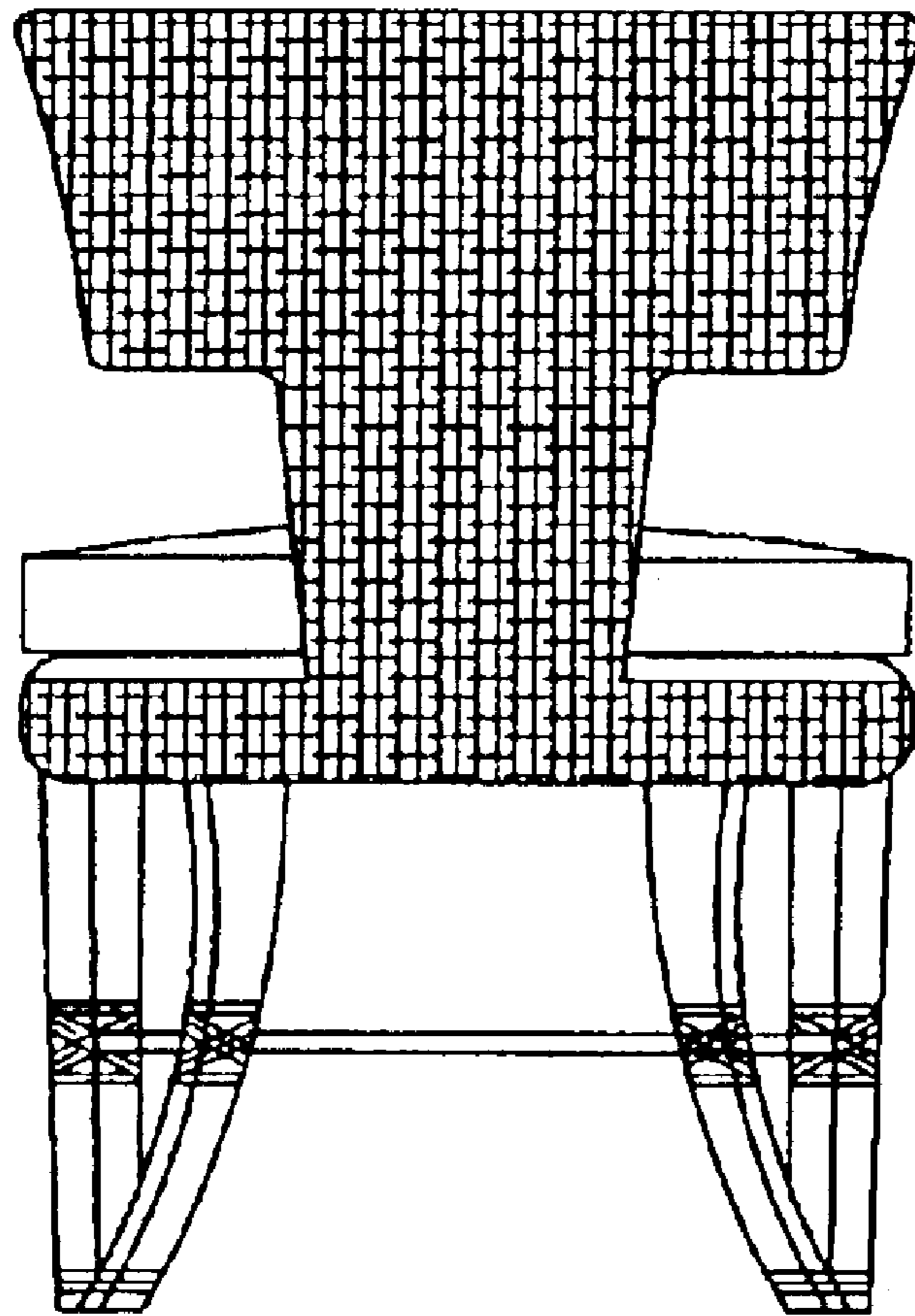


FIG. 5



*FIG. 6*