



US00D498067S

(12) **United States Design Patent**
Van Dyke

(10) **Patent No.:** **US D498,067 S**

(45) **Date of Patent:** **** Nov. 9, 2004**

(54) **CHAIR**

(76) **Inventor:** **Cameron Van Dyke**, 118 Holmdeme, NE., Grand Rapids, MI (US) 49503

(**) **Term:** **14 Years**

(21) **Appl. No.:** **29/203,724**

(22) **Filed:** **Apr. 19, 2004**

(51) **LOC (7) Cl.** **06-01**

(52) **U.S. Cl.** **D6/355; D6/495; D6/349**

(58) **Field of Search** D6/334, 335, 349-351, D6/355, 364, 365, 482, 486, 491, 495, 500-502; 297/461, 462, 423.1, 423.39, 423.41

(56) **References Cited**

U.S. PATENT DOCUMENTS

D316,350 S	*	4/1991	Beaudry	D6/495
D333,230 S	*	2/1993	Bareiss	D6/486
D333,231 S	*	2/1993	Bareiss	D6/482
D337,223 S	*	7/1993	Bareiss	D6/495
D486,966 S	*	2/2004	Steendyk	D6/349

* cited by examiner

Primary Examiner—Mimosa De

(74) *Attorney, Agent, or Firm*—McGarry Bair PC

(57) **CLAIM**

The ornamental design for a chair, as shown and described.

DESCRIPTION

FIG. 1 is a perspective view of a first embodiment of a chair according to the invention.

FIG. 2 is a front view of the chair of FIG. 1.

FIG. 3 is a rear view of the chair of FIG. 1.

FIG. 4 is a left side view of the chair of FIG. 1, the right side being a mirror image thereof.

FIG. 5 is a top view of the chair of FIG. 1.

FIG. 6 is a perspective view of a second embodiment of a chair according to the invention.

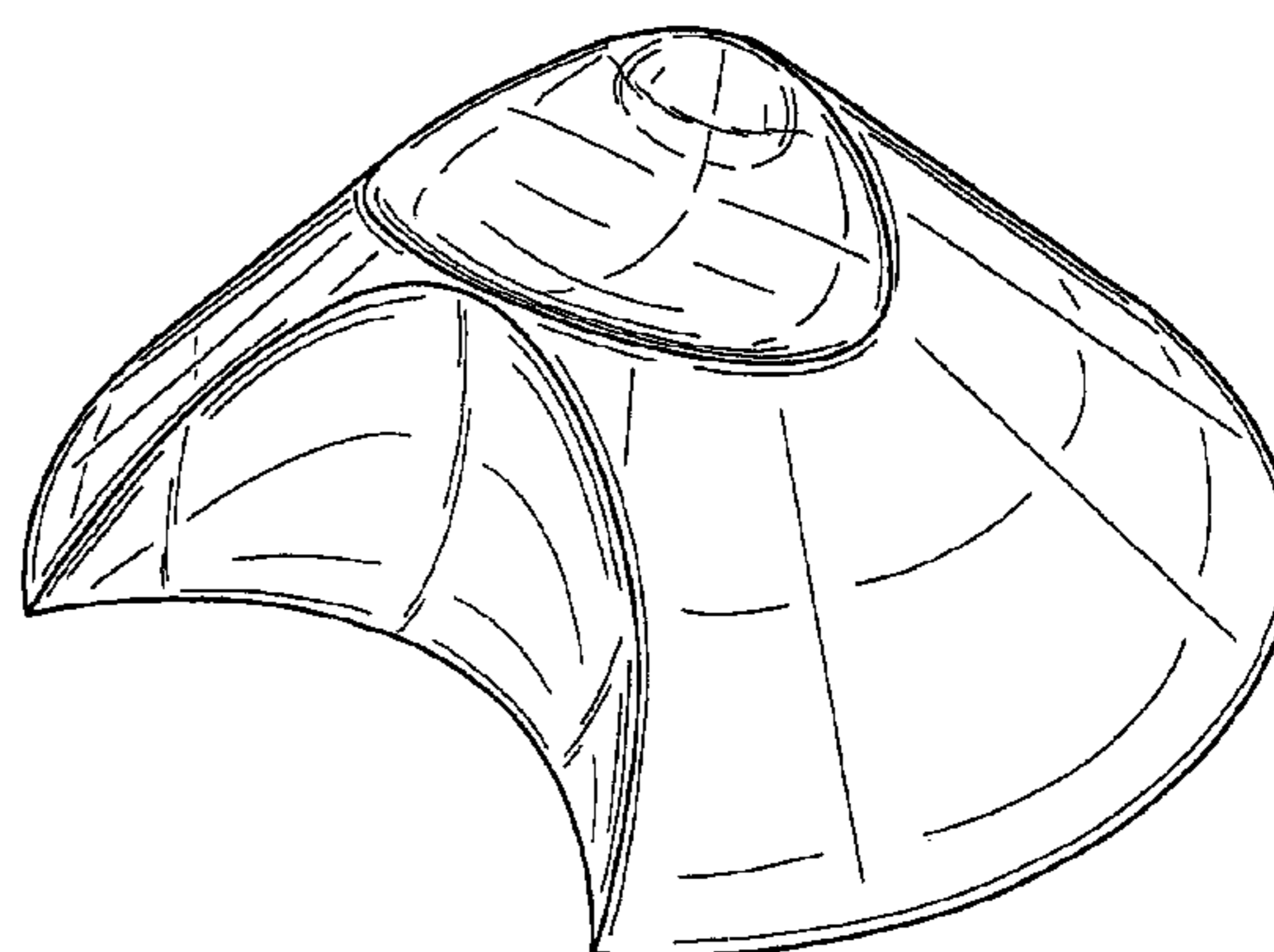
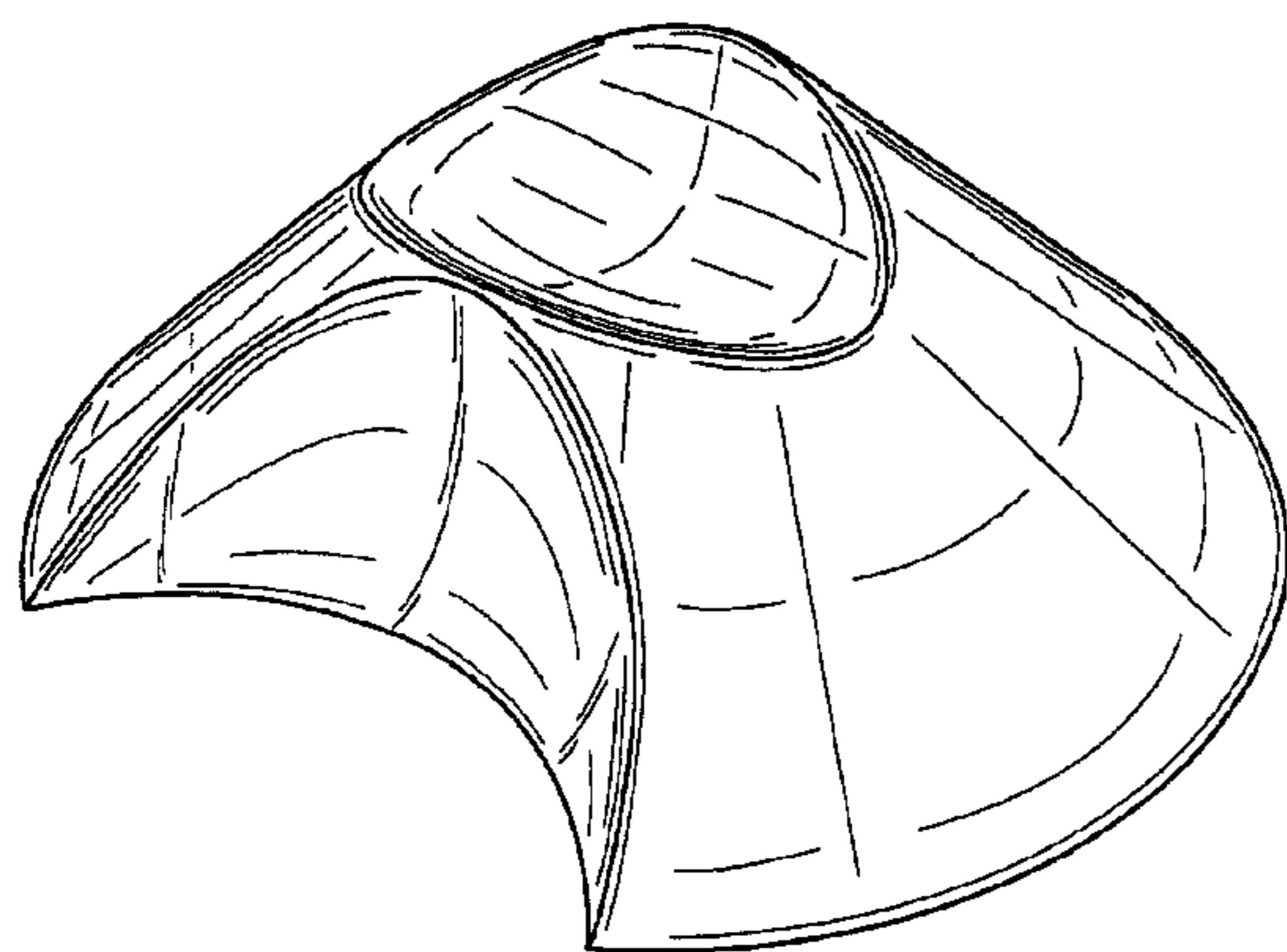
FIG. 7 is a front view of FIG. 6.

FIG. 8 is a rear view of FIG. 6.

FIG. 9 is a side view of FIG. 6; and,

FIG. 10 is a top view of FIG. 6.

1 Claim, 6 Drawing Sheets



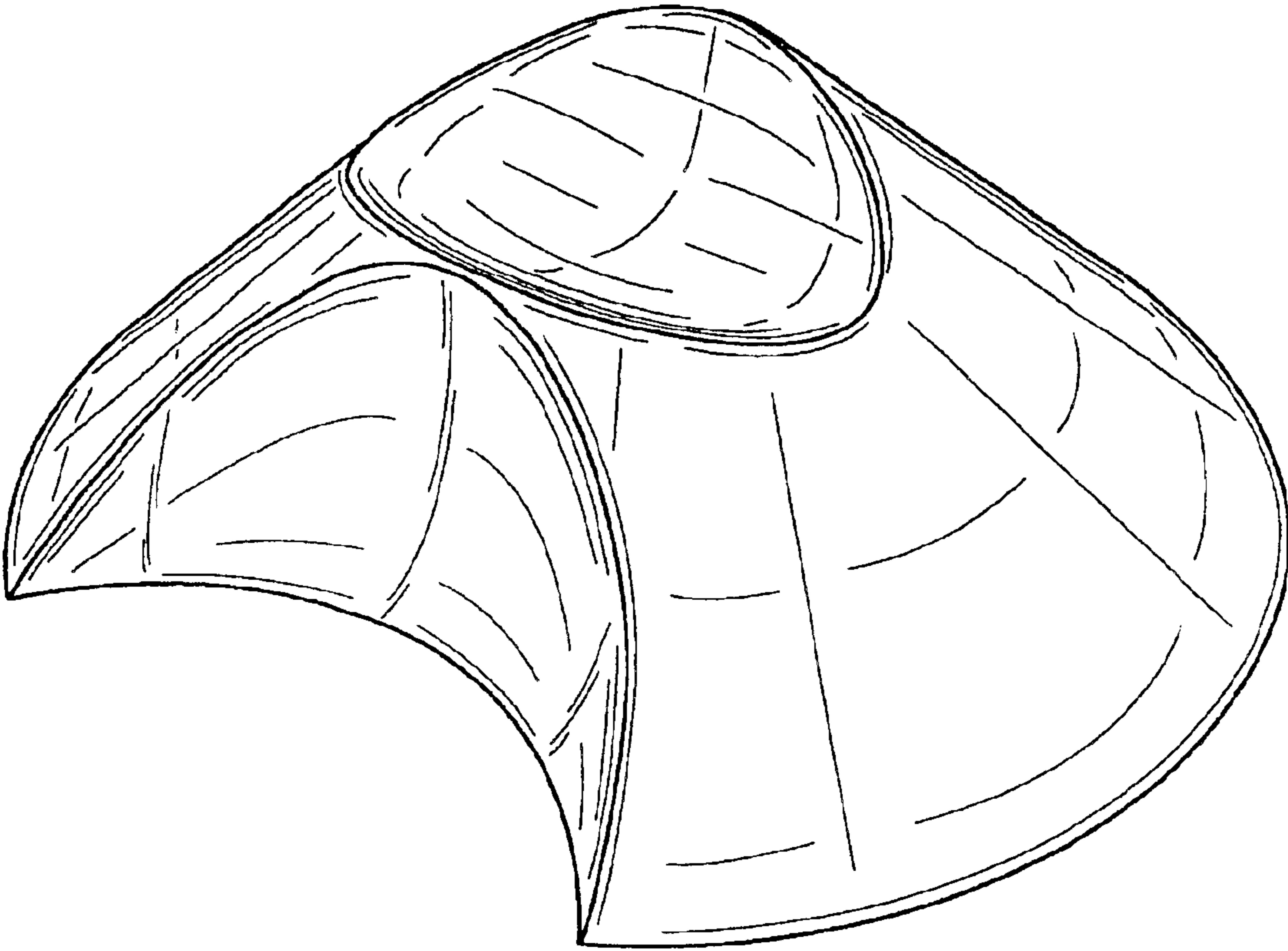


Fig. 1

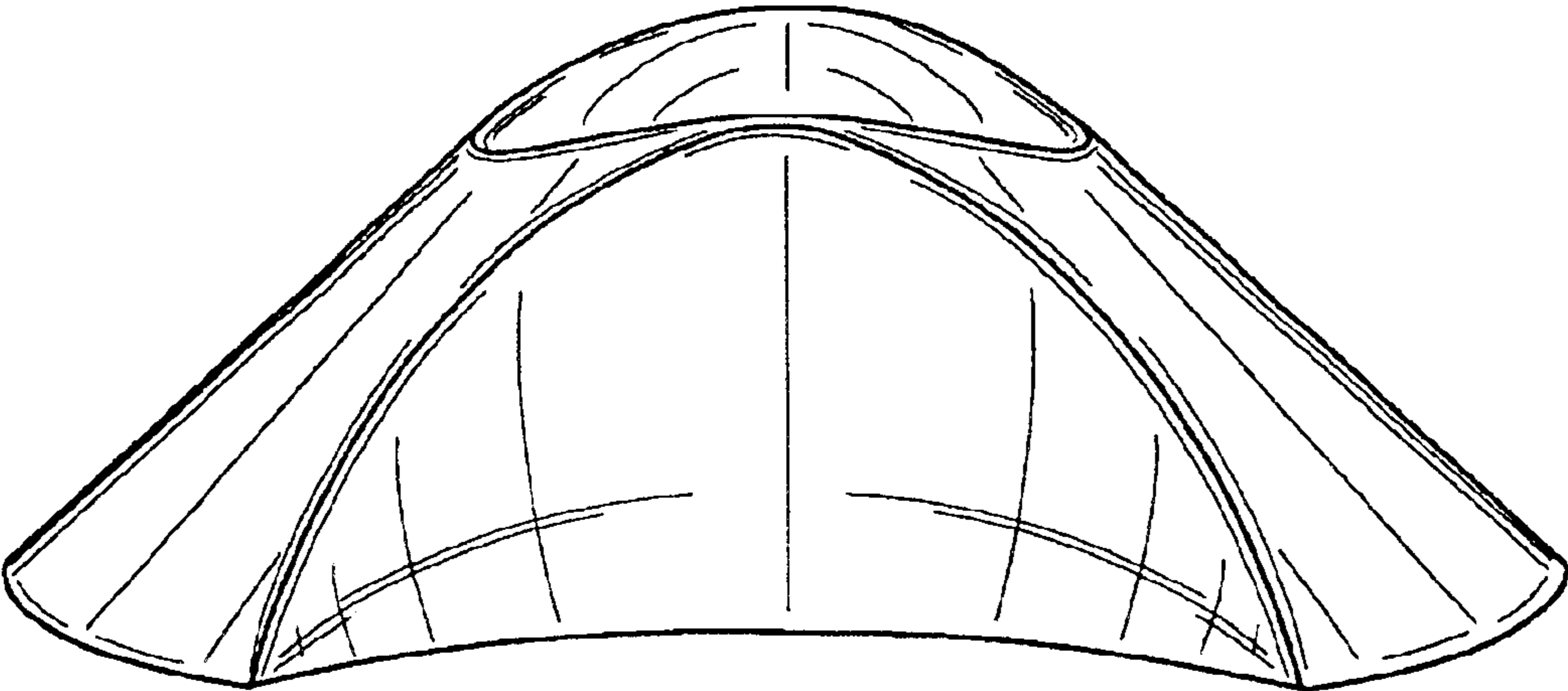


Fig. 2

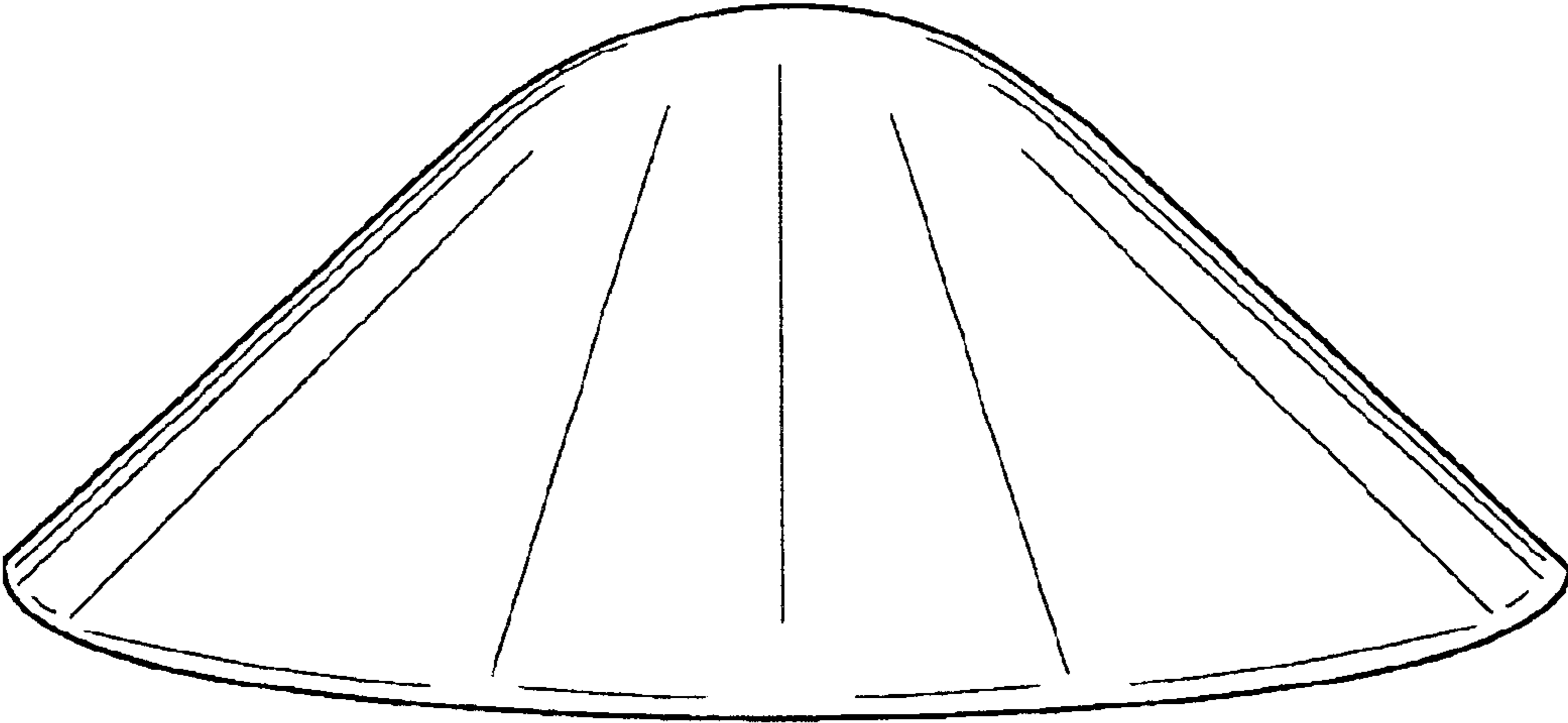


Fig. 3

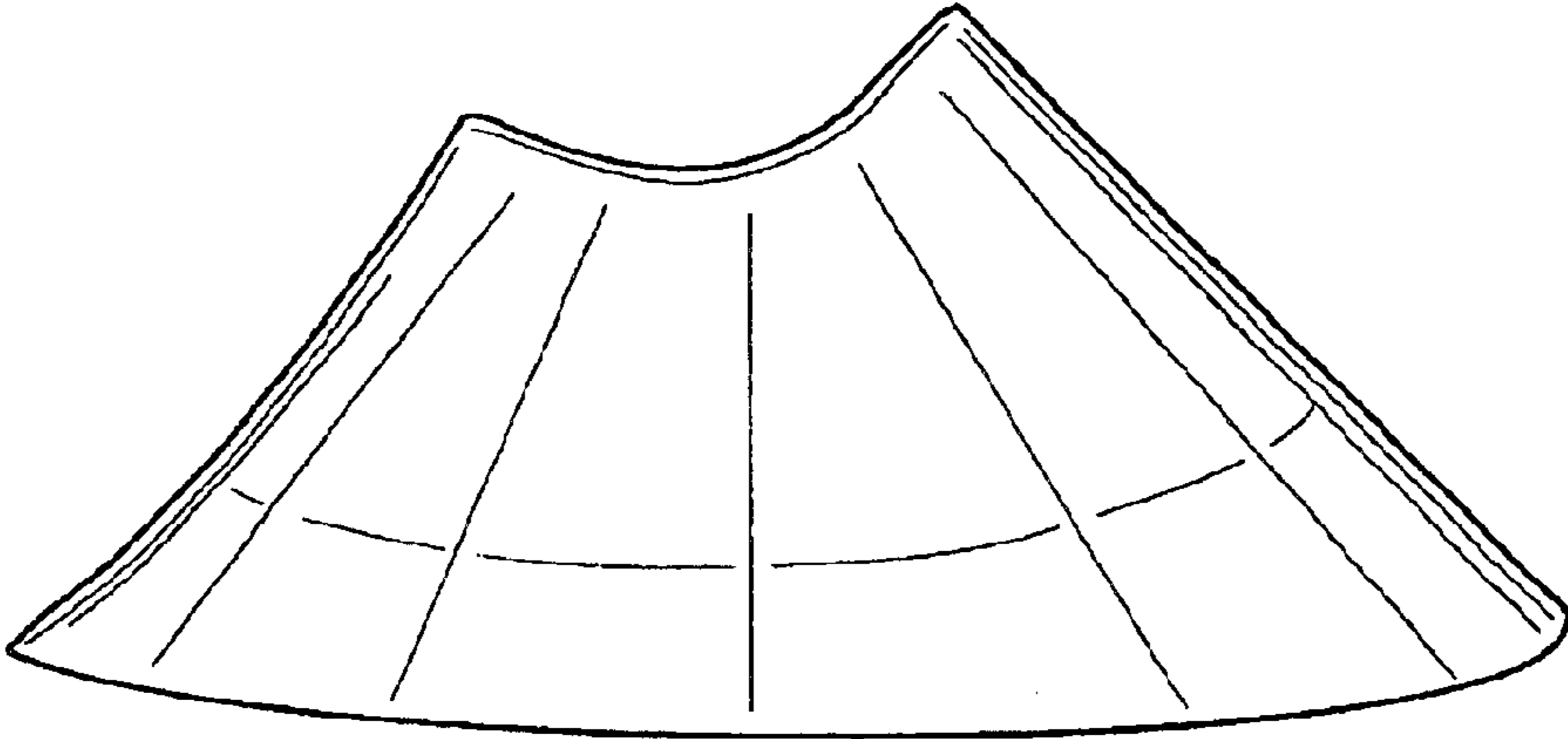


Fig. 4

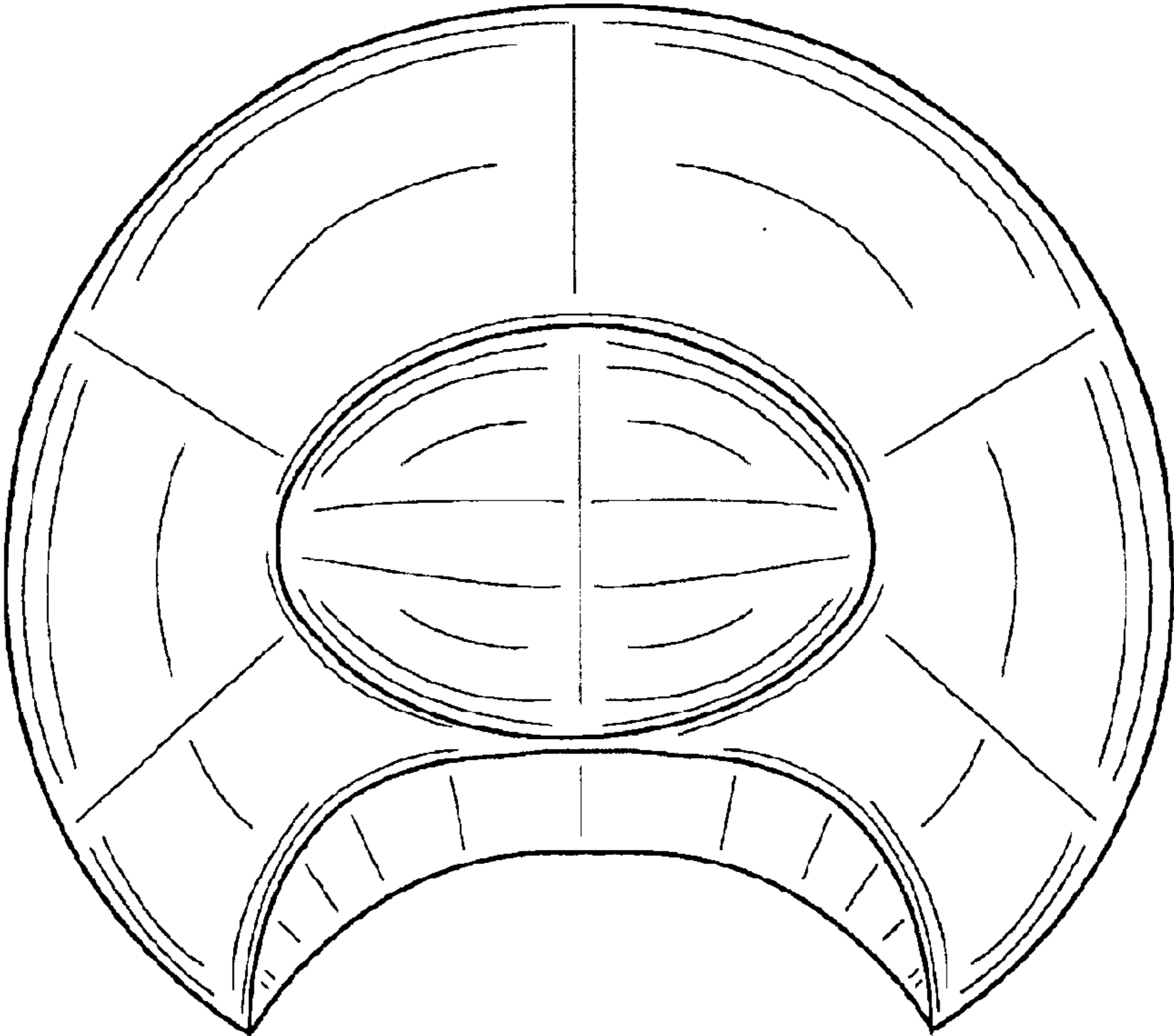


Fig. 5

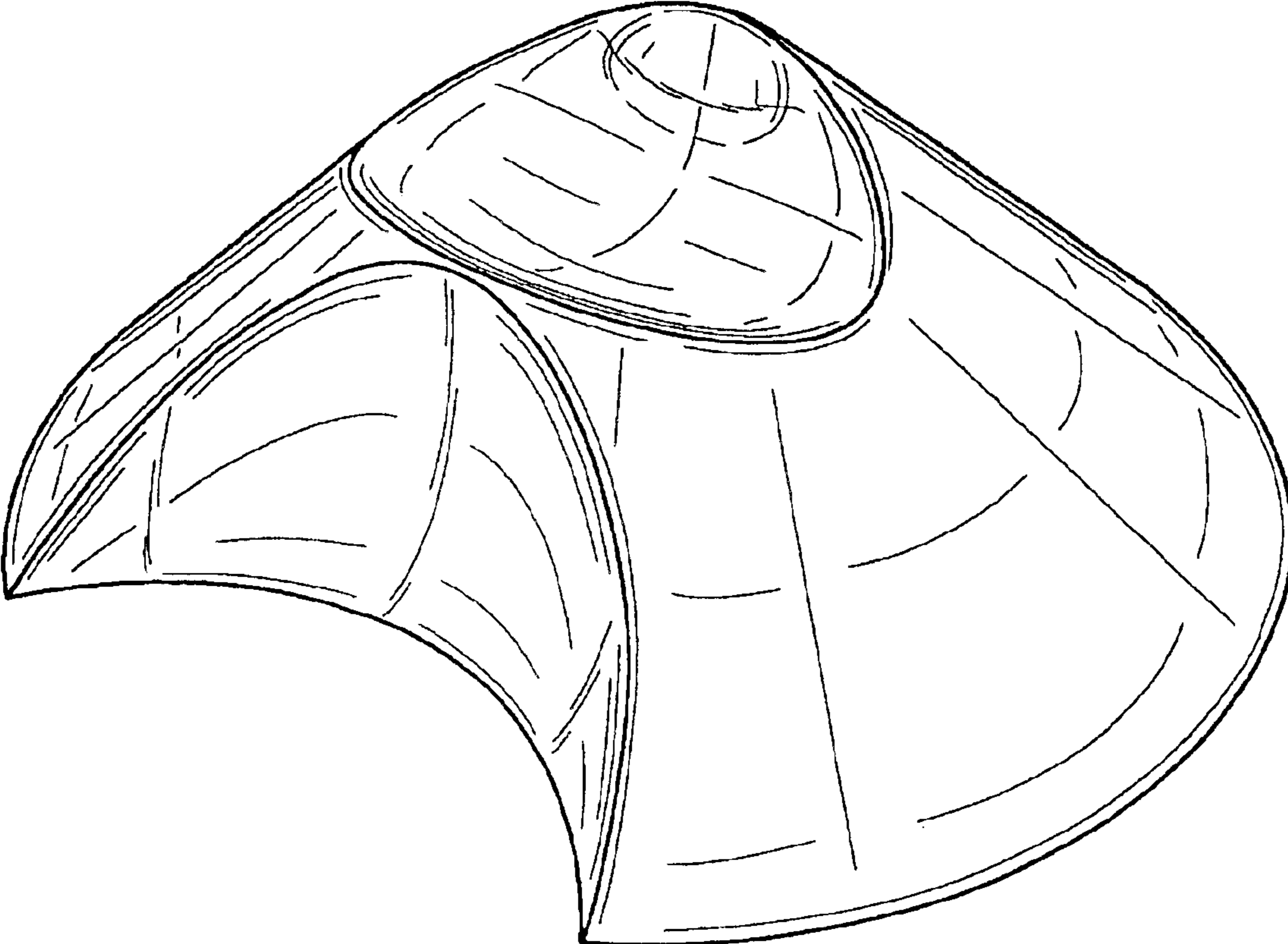


Fig. 6

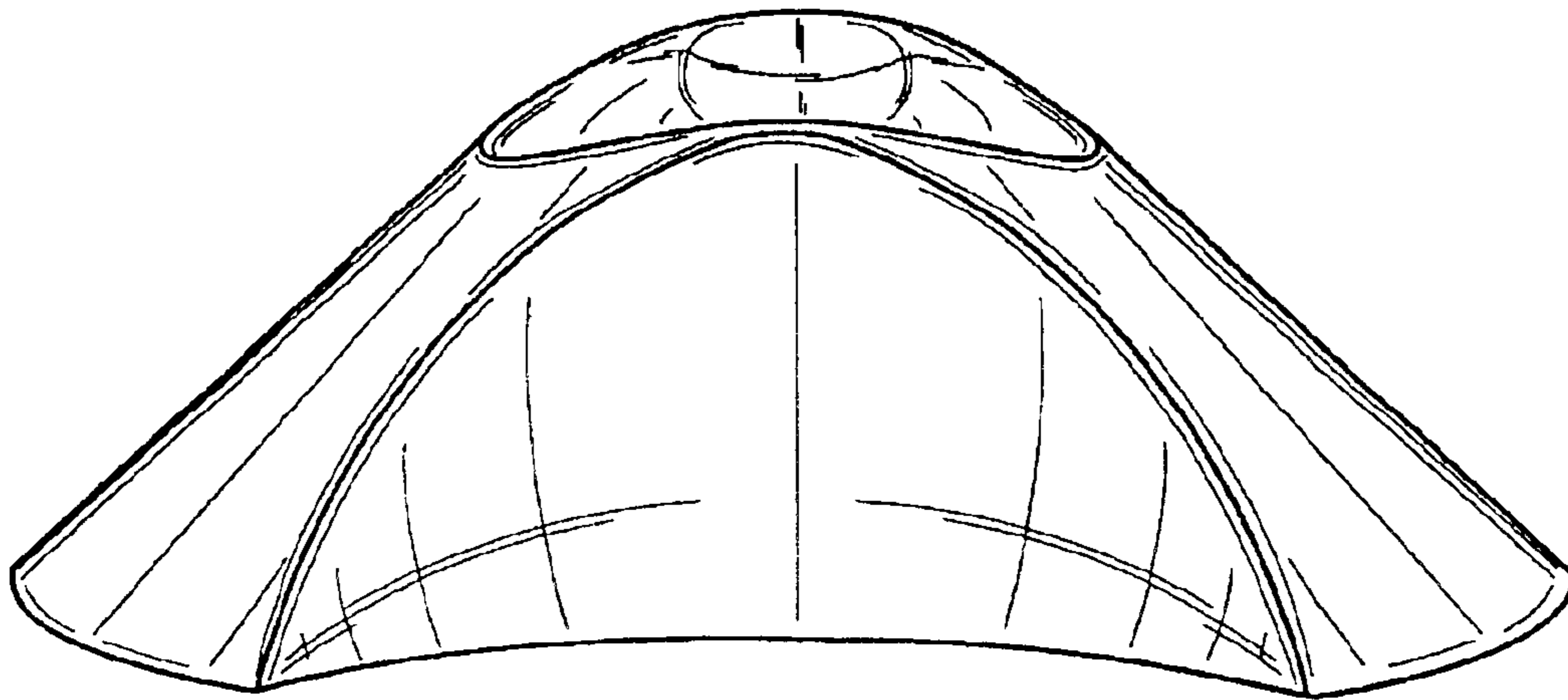


Fig. 7

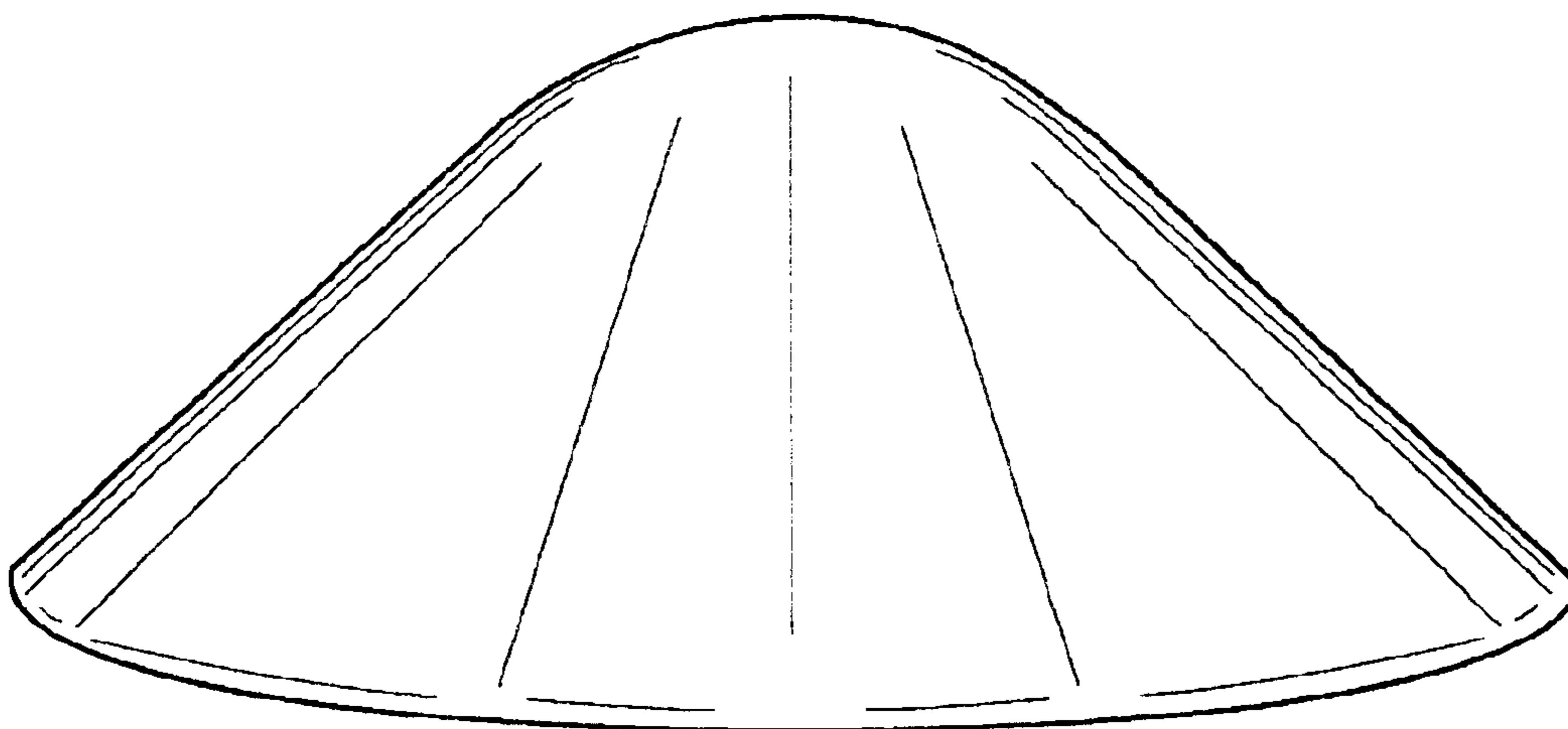


Fig. 8

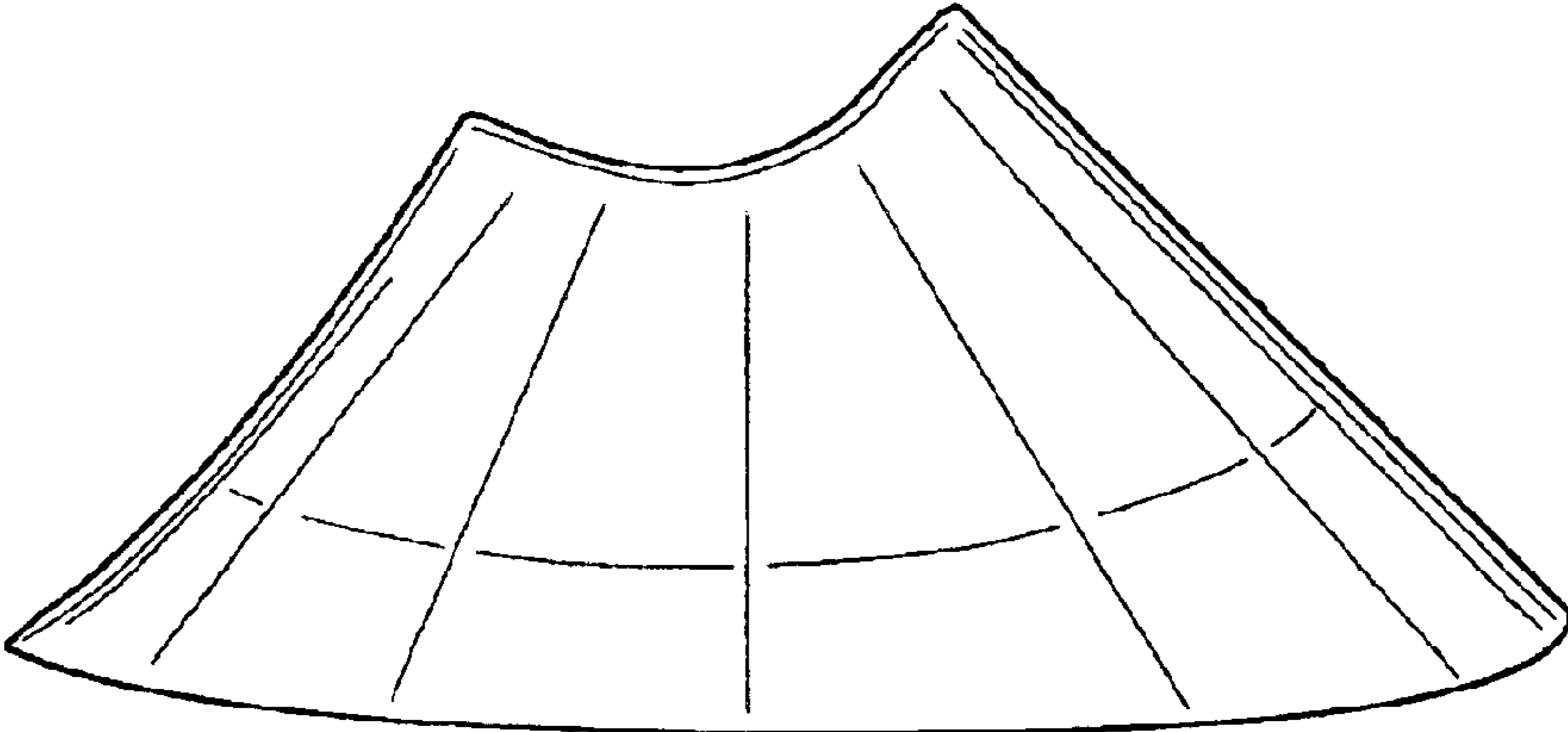


Fig. 9

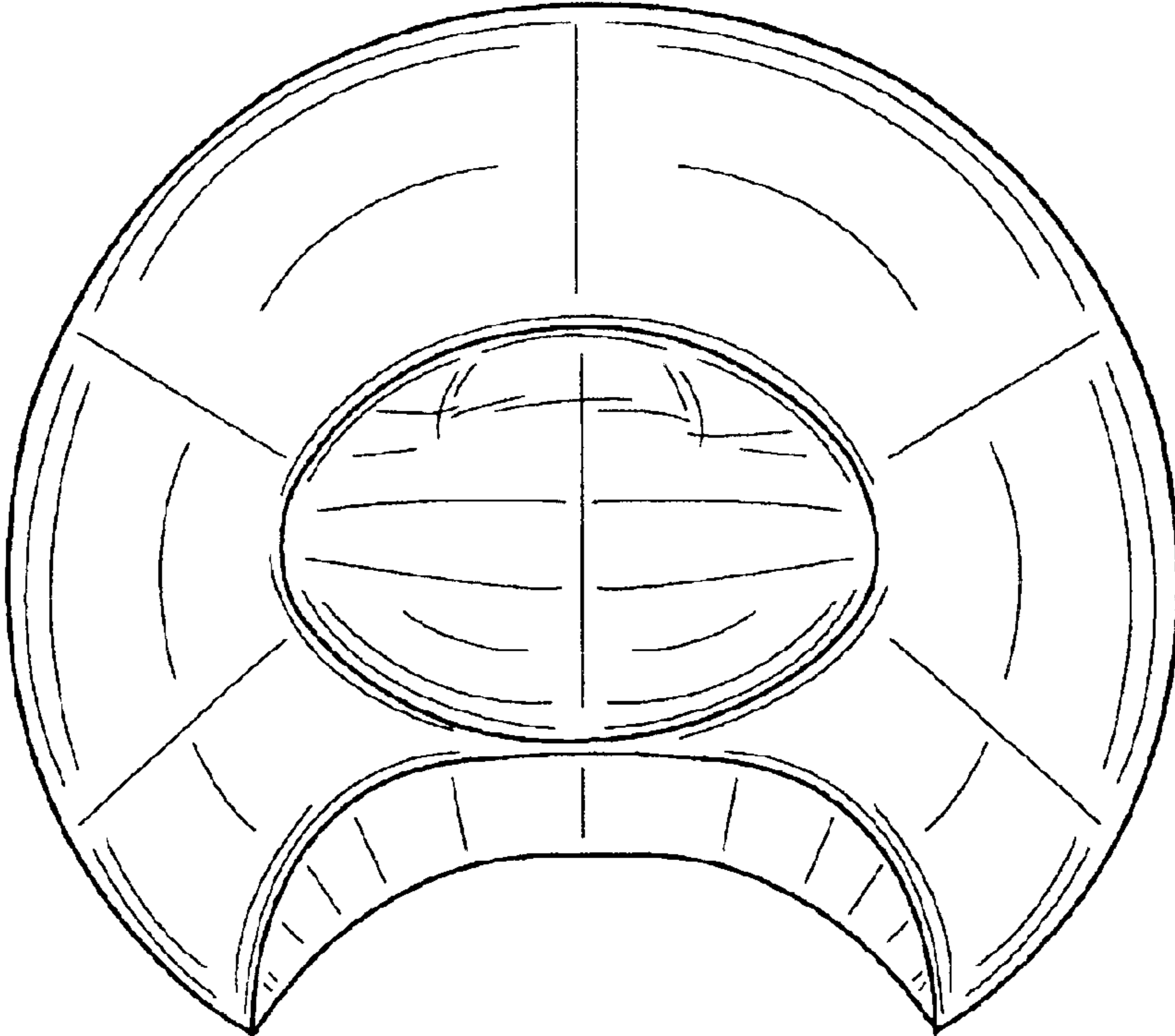


Fig. 10