

US00D498053S

(12) **United States Design Patent** (10) **Patent No.:** **US D498,053 S**
Nordstrom et al. (45) **Date of Patent:** **** Nov. 9, 2004**

(54) **WHEEL MOUNT**

2004/0000457 A1 * 1/2004 Sanford-Schwentke ... 190/18 A

(75) Inventors: **Mark Nordstrom**, Brentwood, TN
(US); **Gary Ritter**, St. Louis, MO
(US); **Todd Siwak**, St. Louis, MO (US)

* cited by examiner

Primary Examiner—Catherine R. Oliver
(74) *Attorney, Agent, or Firm*—Lewis, Rice & Fingersh,
L.C.

(73) Assignee: **TRG Accessories, L.L.C.**, St. Louis,
MO (US)

(57) **CLAIM**

(**) Term: **14 Years**

The ornamental design for a wheel mount, as shown and described.

(21) Appl. No.: **29/173,626**

DESCRIPTION

(22) Filed: **Jan. 2, 2003**

(51) **LOC (7) Cl.** **03-01**

FIG. 1 is a side perspective view of the wheel mount showing our new design;

(52) **U.S. Cl.** **D3/318**

FIG. 2 is a side elevational view thereof, the opposite side being hidden in use and forming no part of the claimed design;

(58) **Field of Search** D3/318, 321, 322,
D3/279, 272, 273; D8/375; D12/133; 16/44-47;
190/18 A, 37, 115

FIG. 3 is a rear elevational view thereof;

FIG. 4 is a front elevational view thereof;

(56) **References Cited**

U.S. PATENT DOCUMENTS

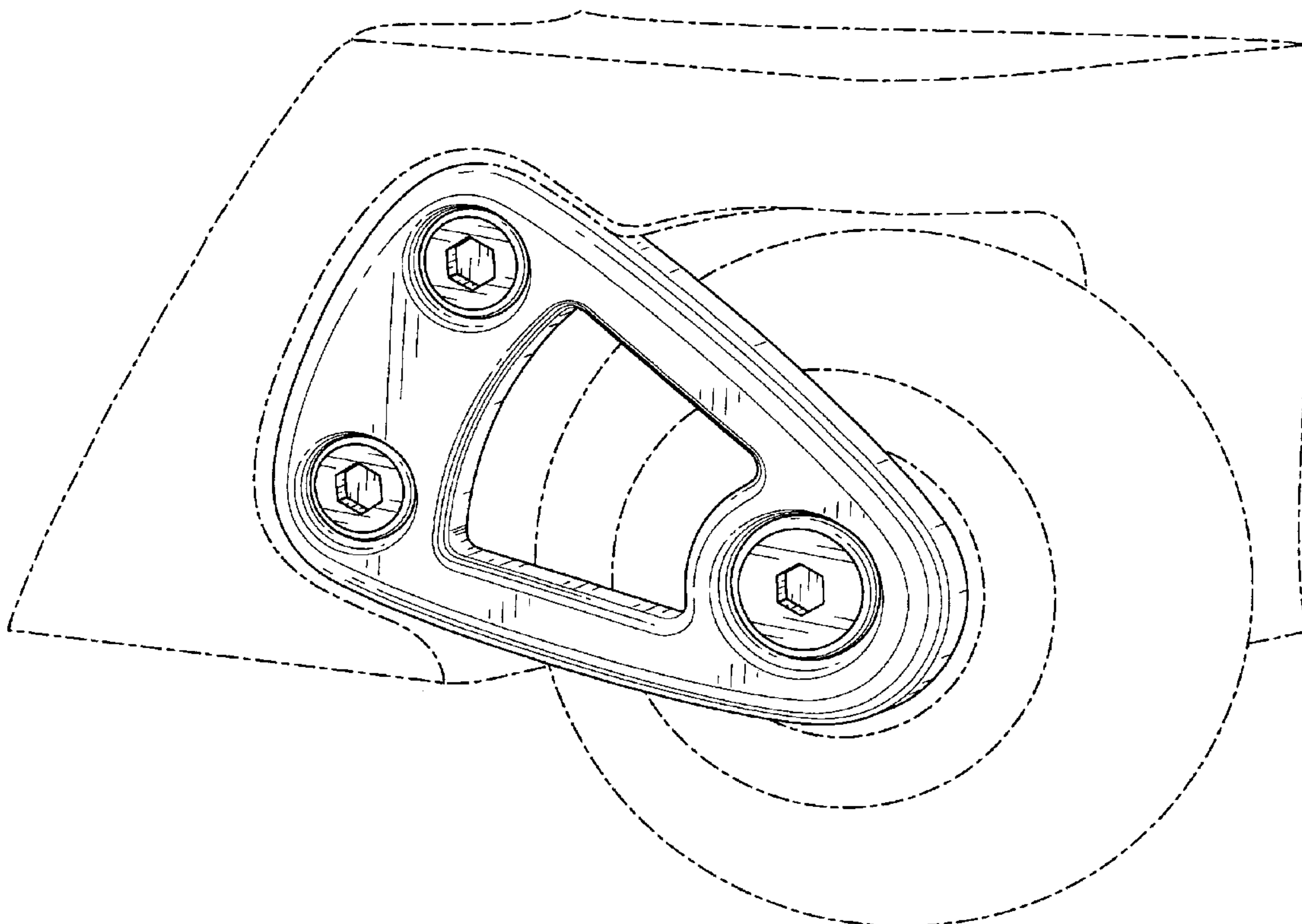
- D419,496 S * 1/2000 Garven, Jr. D12/133
- D434,904 S * 12/2000 Huang D3/318
- D448,278 S * 9/2001 Chi D8/375
- D474,024 S * 5/2003 Santy D3/318
- D476,484 S * 7/2003 Santy et al. D3/318

FIG. 5 is a top plan view thereof; and,

FIG. 6 is a bottom plan view.

The broken lines define a piece of luggage and a wheel to which the wheel mount can be attached and form no part of the claimed design.

1 Claim, 5 Drawing Sheets



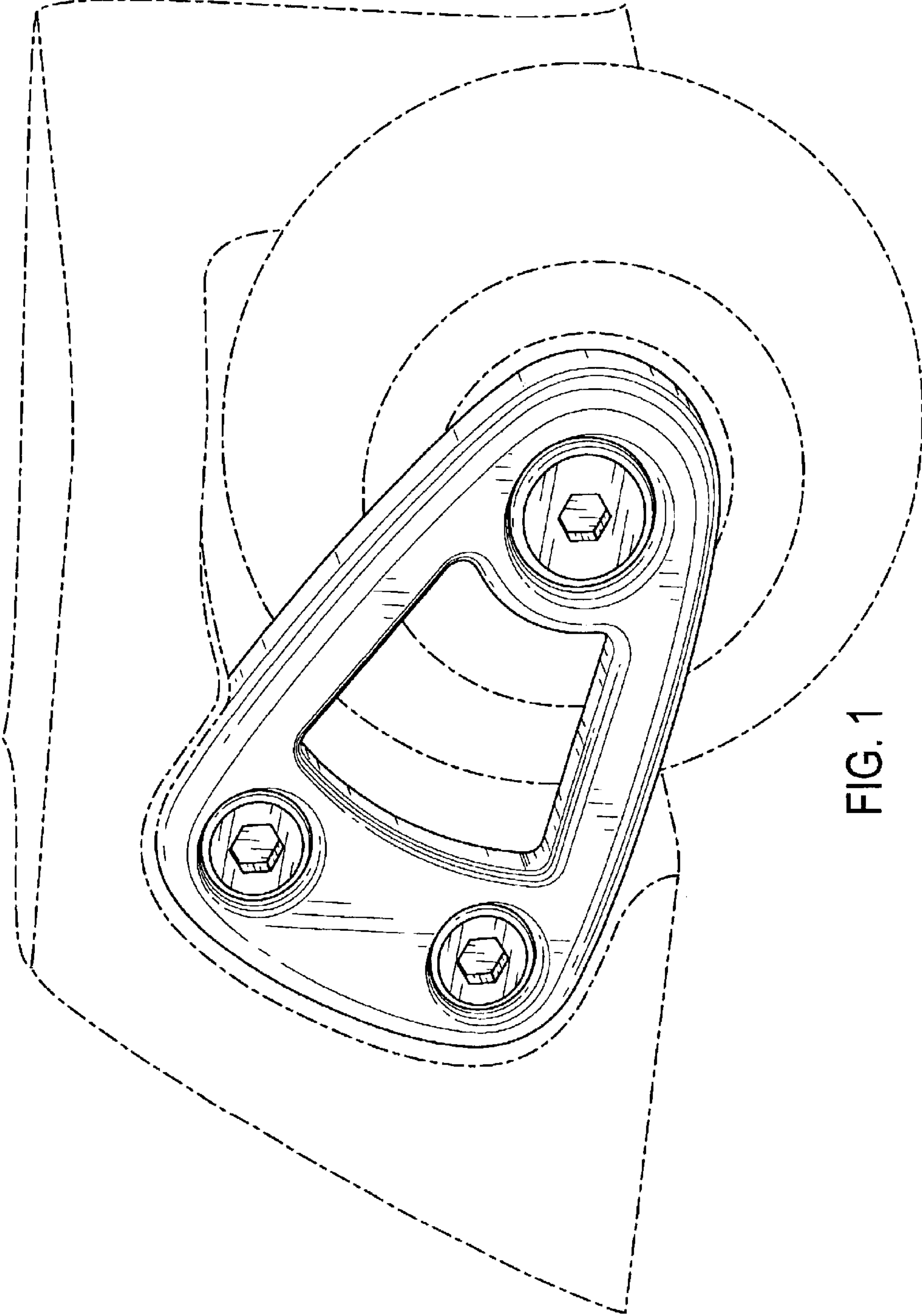


FIG. 1

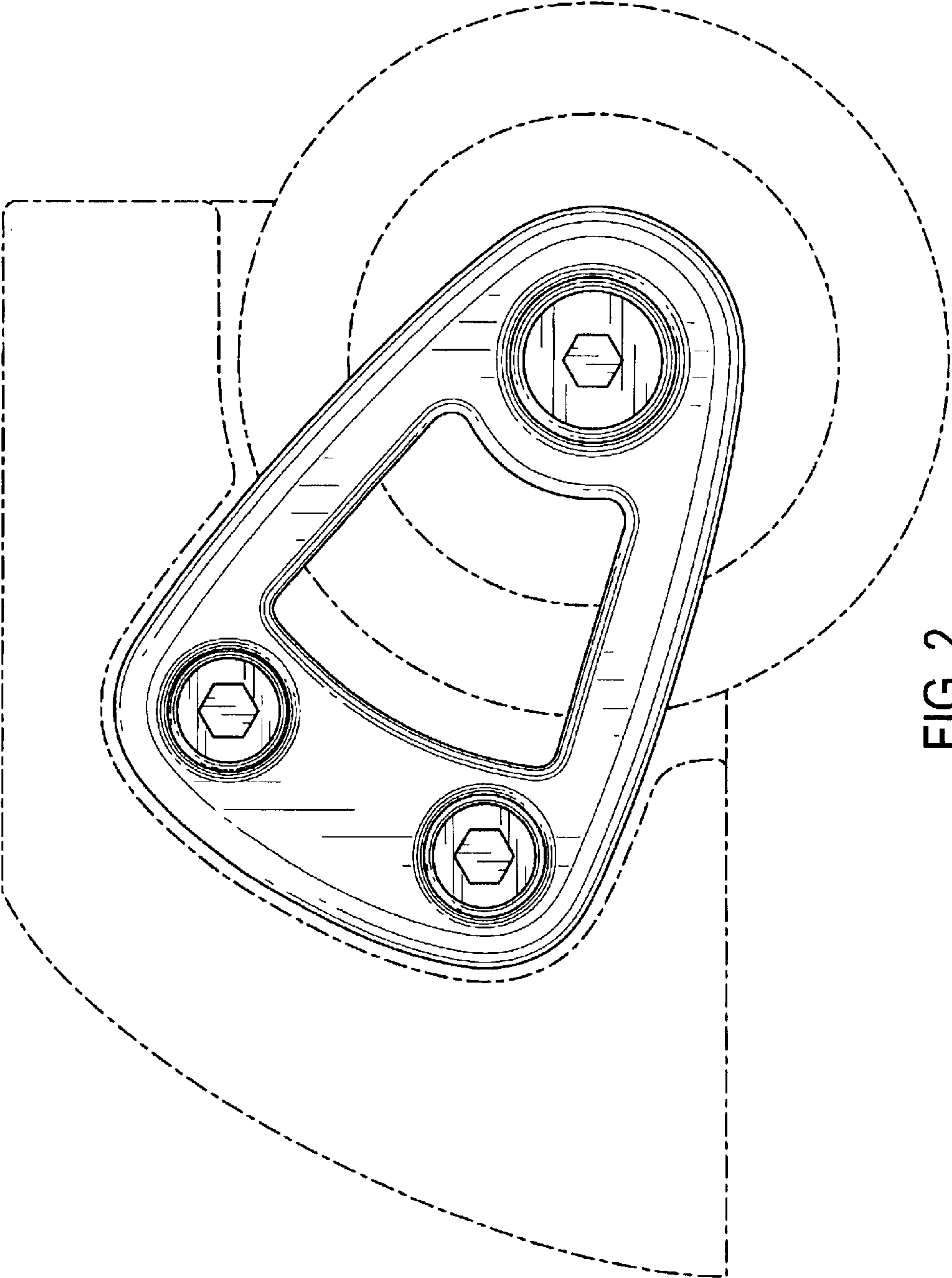


FIG. 2



FIG. 4

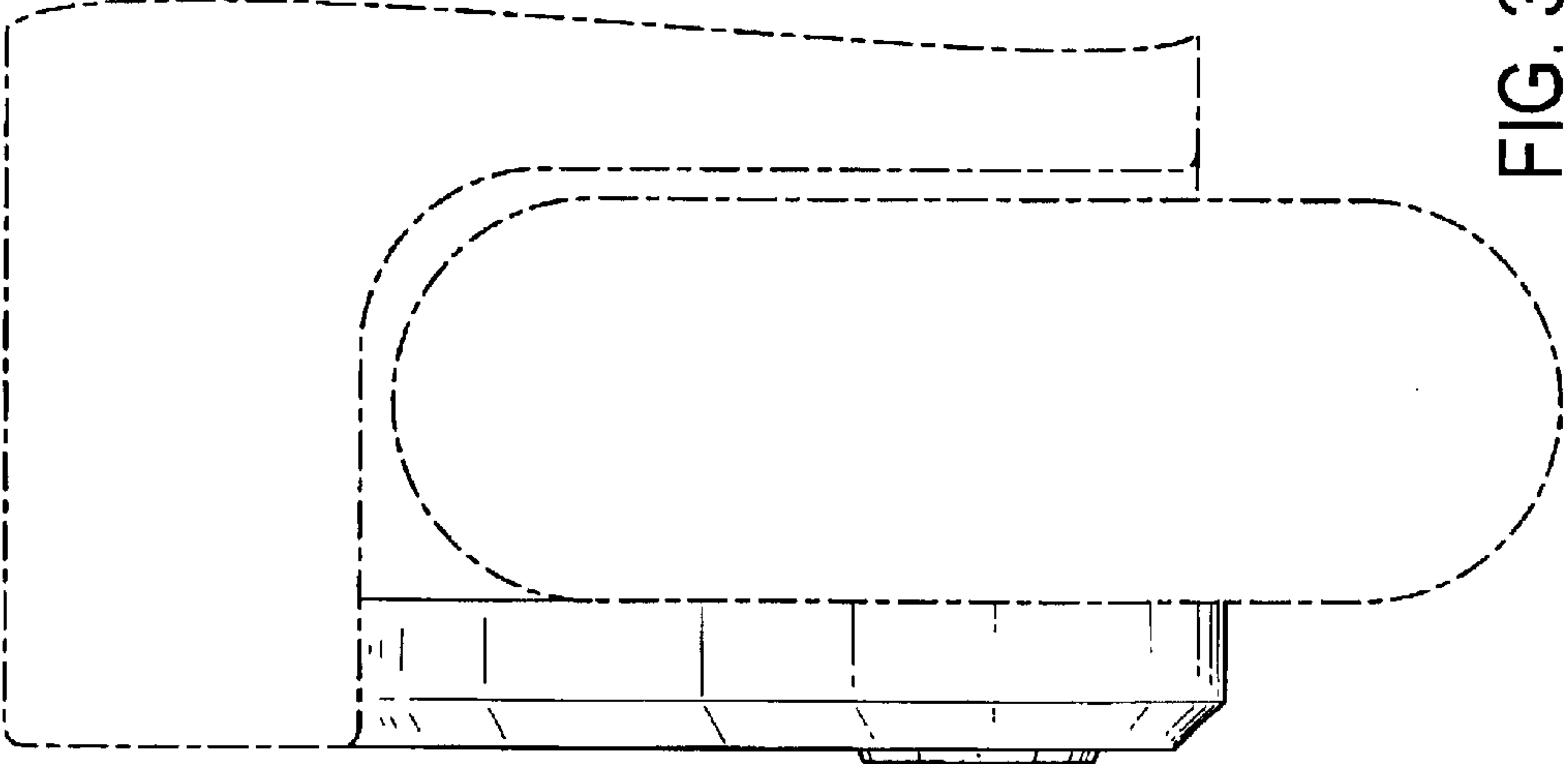


FIG. 3

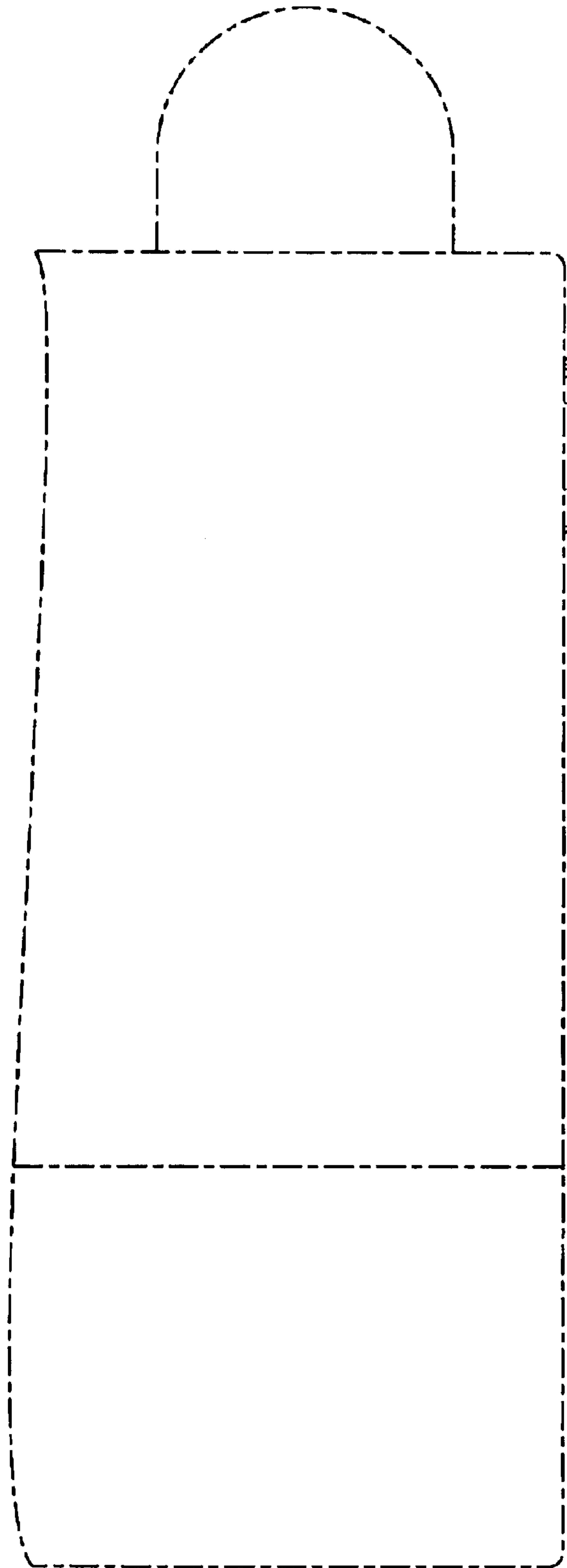


FIG. 5

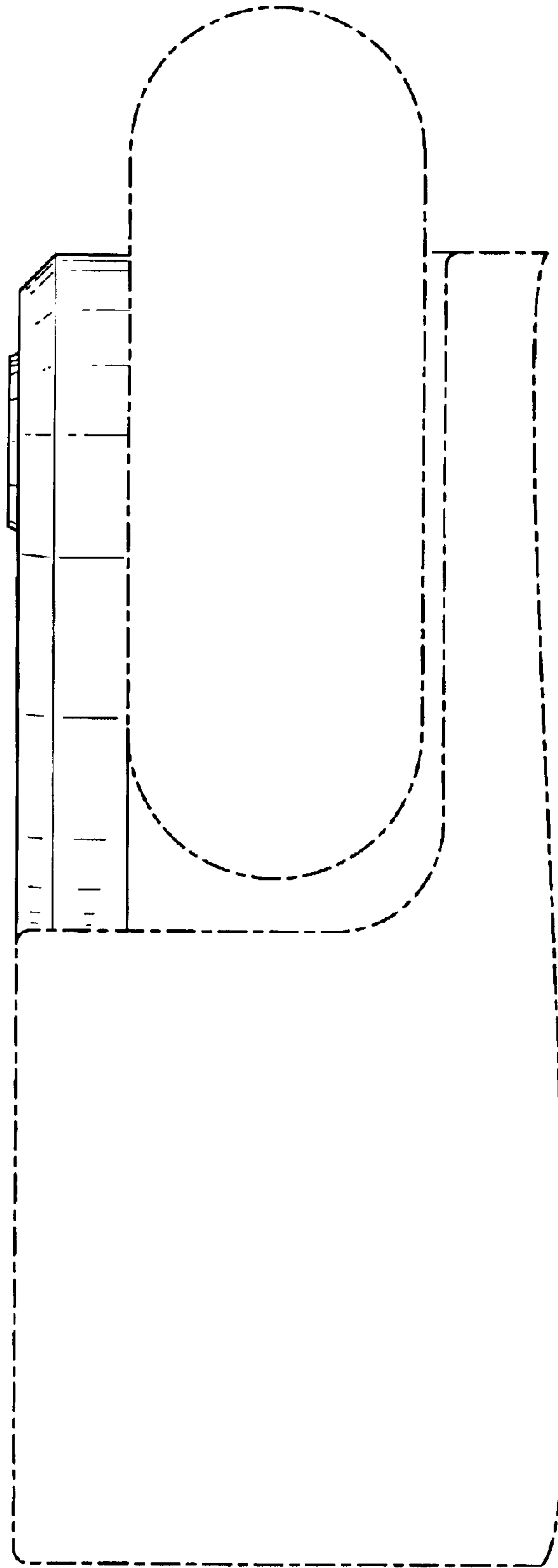


FIG. 6