

US00D498048S

(12) **United States Design Patent**
Reichardt

(10) **Patent No.:** **US D498,048 S**

(45) **Date of Patent:** **** Nov. 9, 2004**

(54) **UTILITY HOLSTER**

(76) **Inventor:** **Robert M. Reichardt**, 23852 E. Archer Pl., Aurora, CO (US) 80018

(**) **Term:** **14 Years**

(21) **Appl. No.:** **29/180,221**

(22) **Filed:** **Apr. 22, 2003**

(51) **LOC (7) Cl.** **03-01**

(52) **U.S. Cl.** **D3/228; D3/226**

(58) **Field of Search** D3/226, 224, 218, D3/219, 215, 267; 224/240, 245, 236, 908, 909, 660, 676, 677

(56) **References Cited**

U.S. PATENT DOCUMENTS

D436,243 S	*	1/2001	Hoy	D2/864
D442,777 S	*	5/2001	Smith	D3/226
D450,449 S	*	11/2001	Godshaw et al.	D3/228
D458,024 S	*	6/2002	Tyler	D3/267
D459,879 S	*	7/2002	Tyler	D3/267

* cited by examiner

Primary Examiner—Catherine R. Oliver

(74) *Attorney, Agent, or Firm*—Brian D. Smith, P.C.

(57) **CLAIM**

The ornamental design for a utility holster, as shown and described.

DESCRIPTION

FIG. 1 is a perspective view of a my design for a utility holster;

FIG. 2 is a front elevation view of the utility holster of FIG. 1;

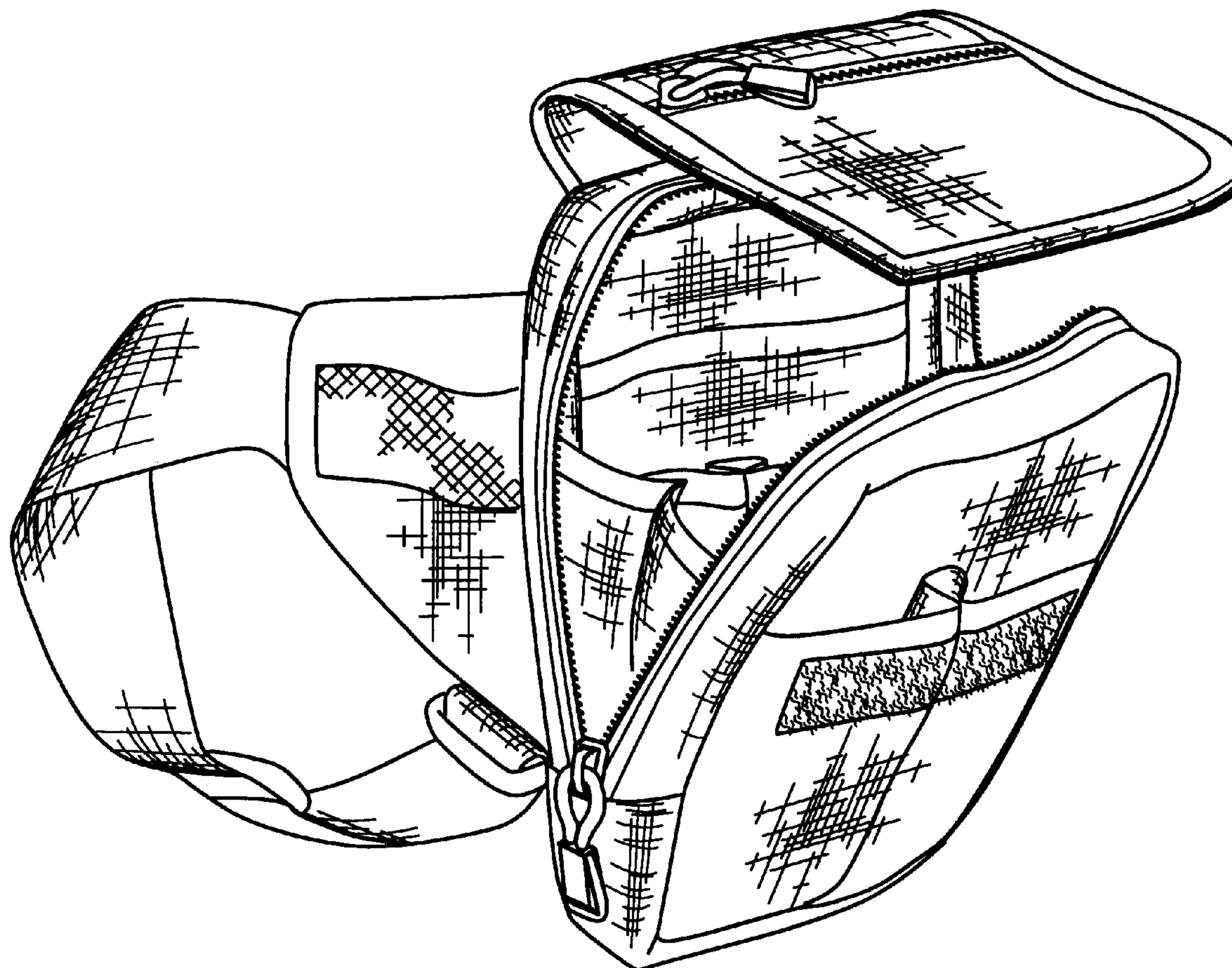
FIG. 3 is a rear elevation view of the utility holster of FIG. 1;

FIG. 4 is a left side elevation view of the utility holster of FIG. 1;

FIG. 5 is a right side elevation view of the utility holster of FIG. 1;

FIG. 6 is a top plan view of the utility holster of FIG. 1; and, FIG. 7 is a bottom plan view of the utility holster of FIG. 1.

1 Claim, 4 Drawing Sheets



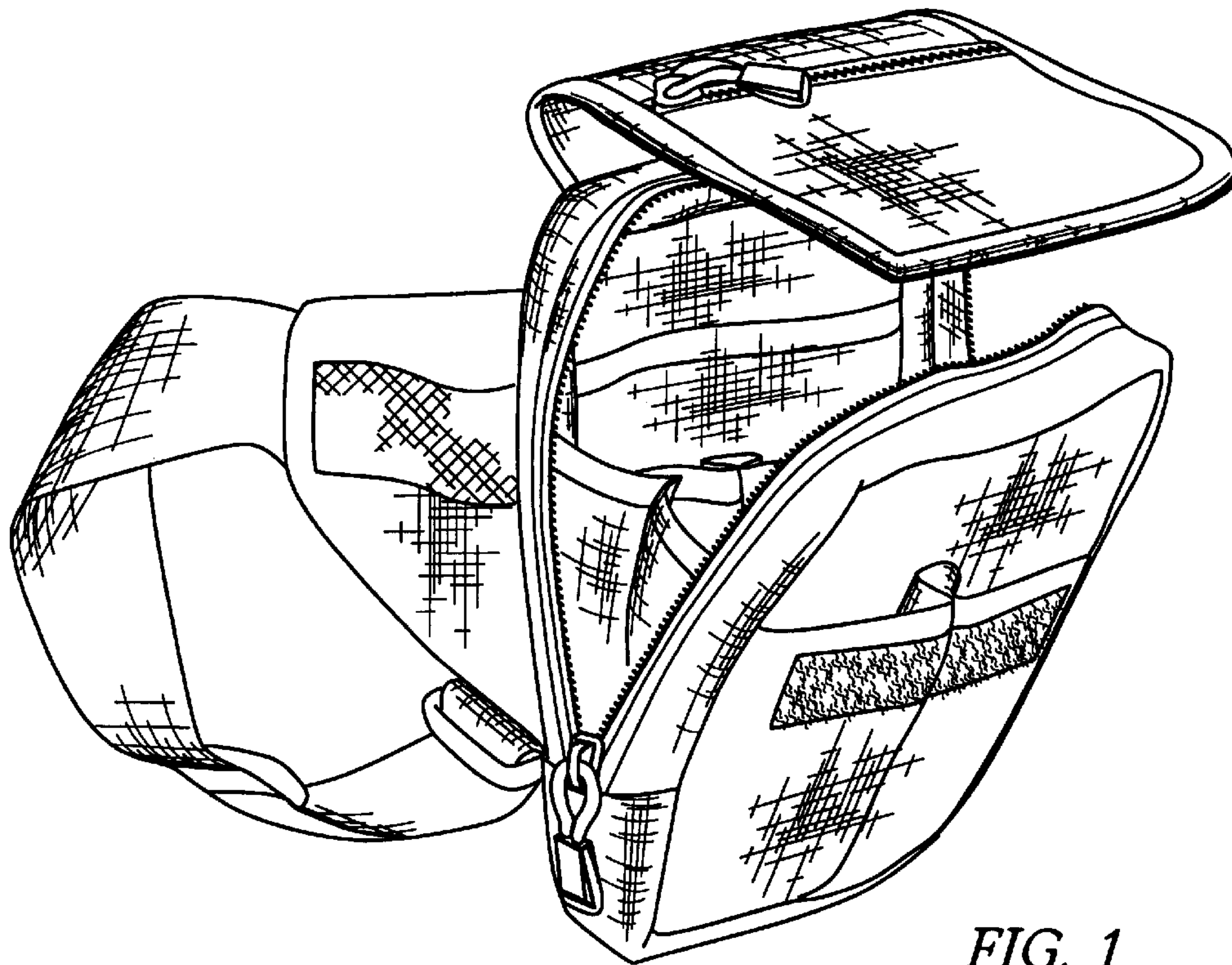


FIG. 1

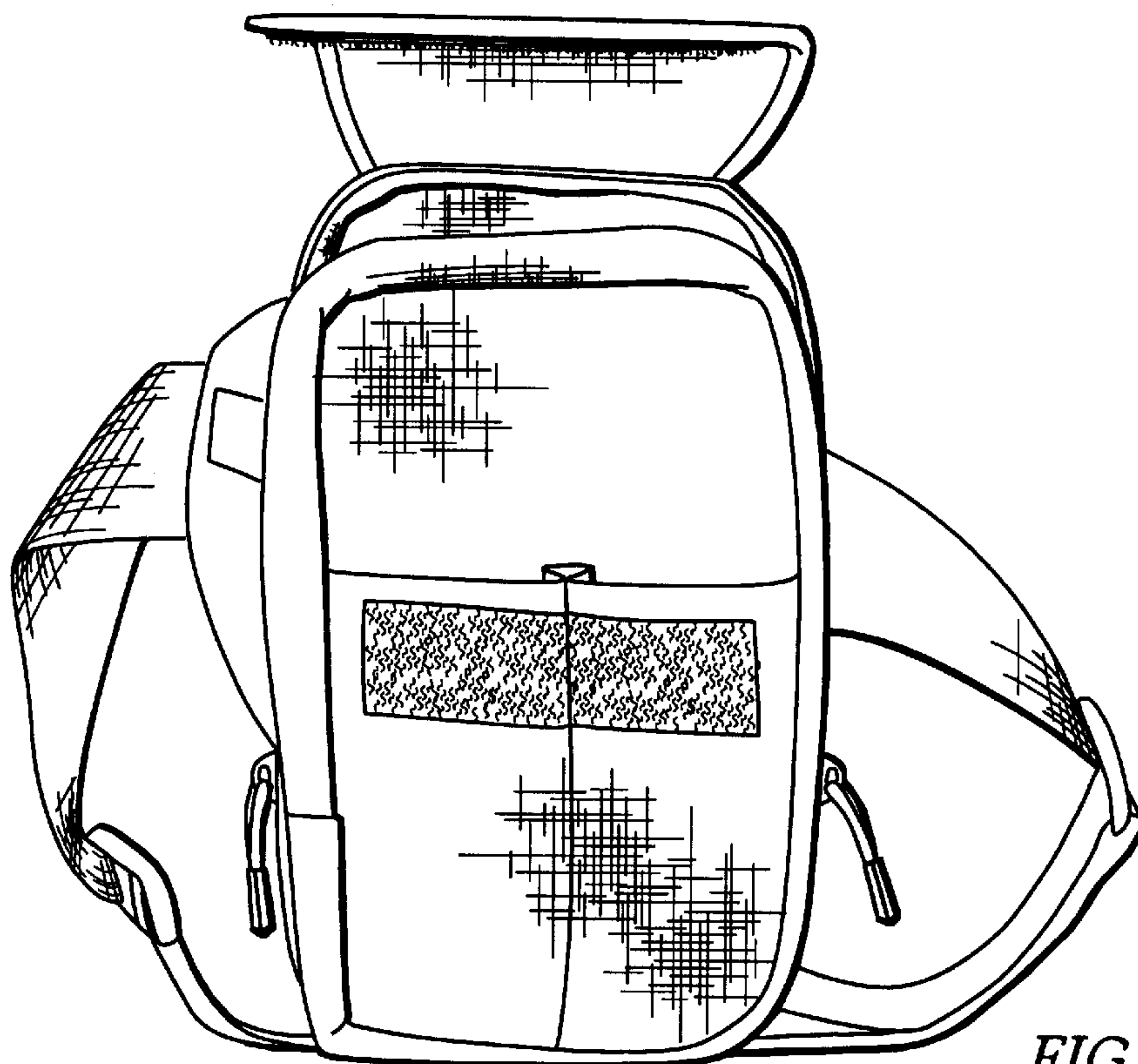


FIG. 2

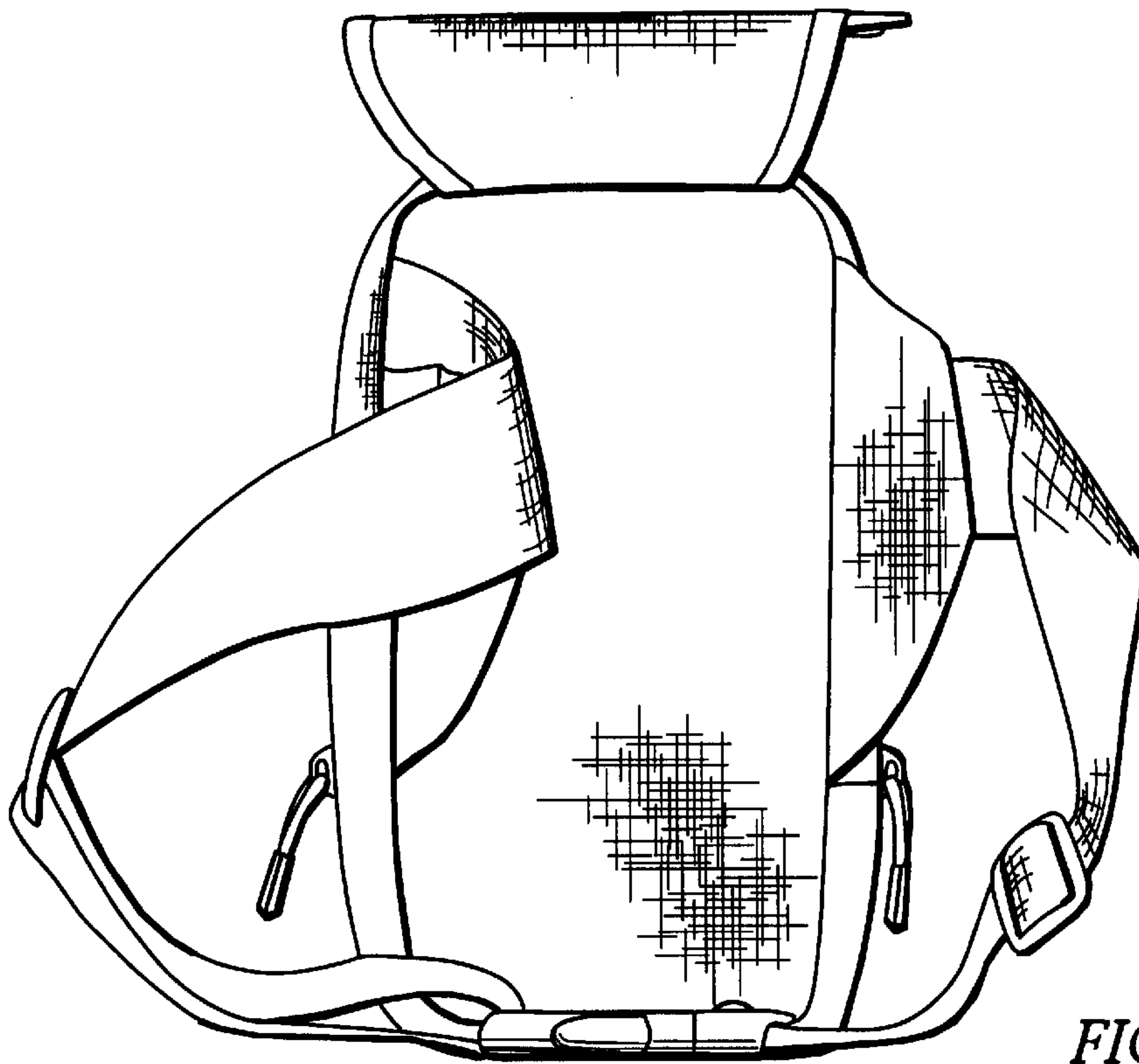


FIG. 3

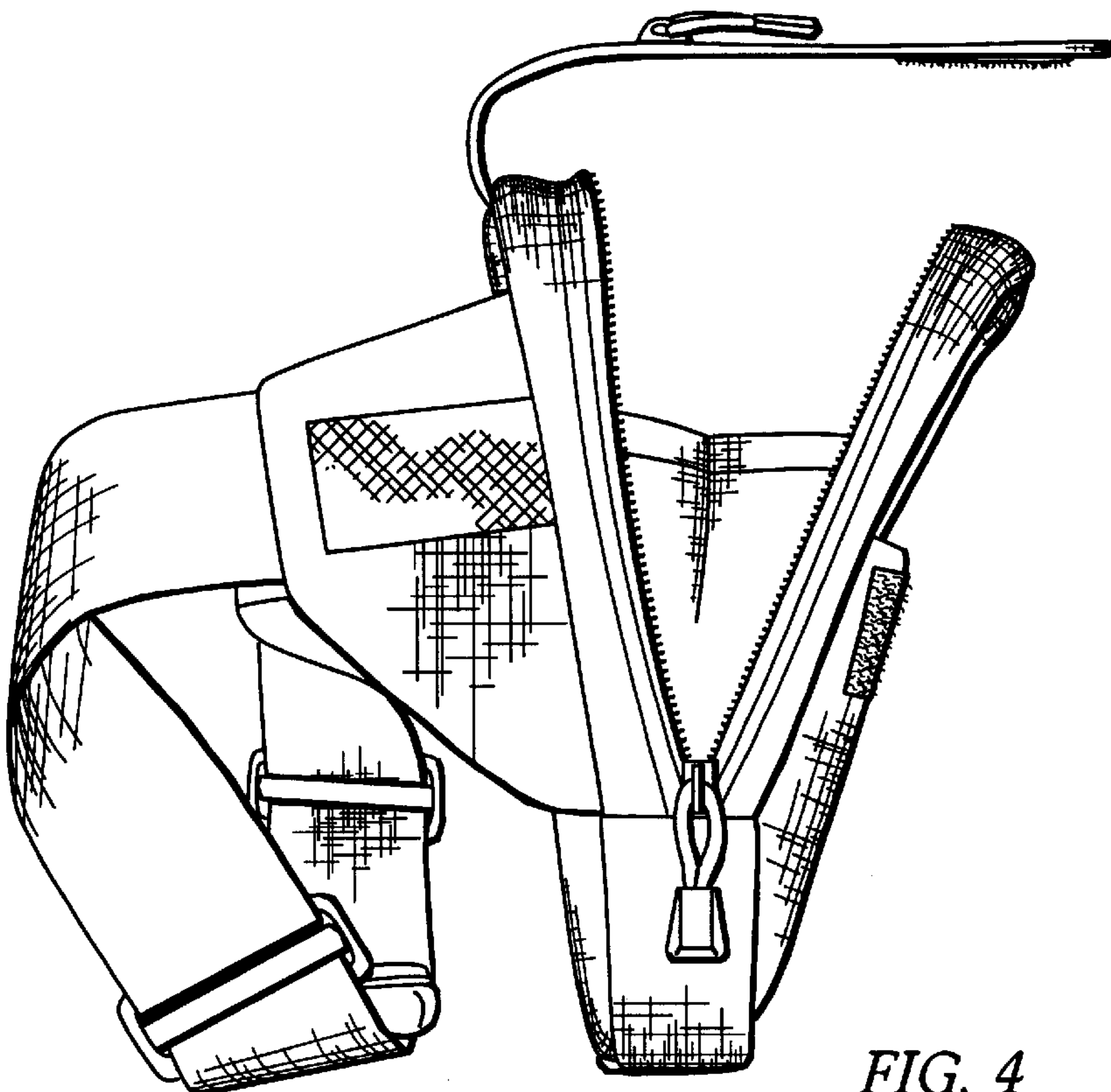


FIG. 4

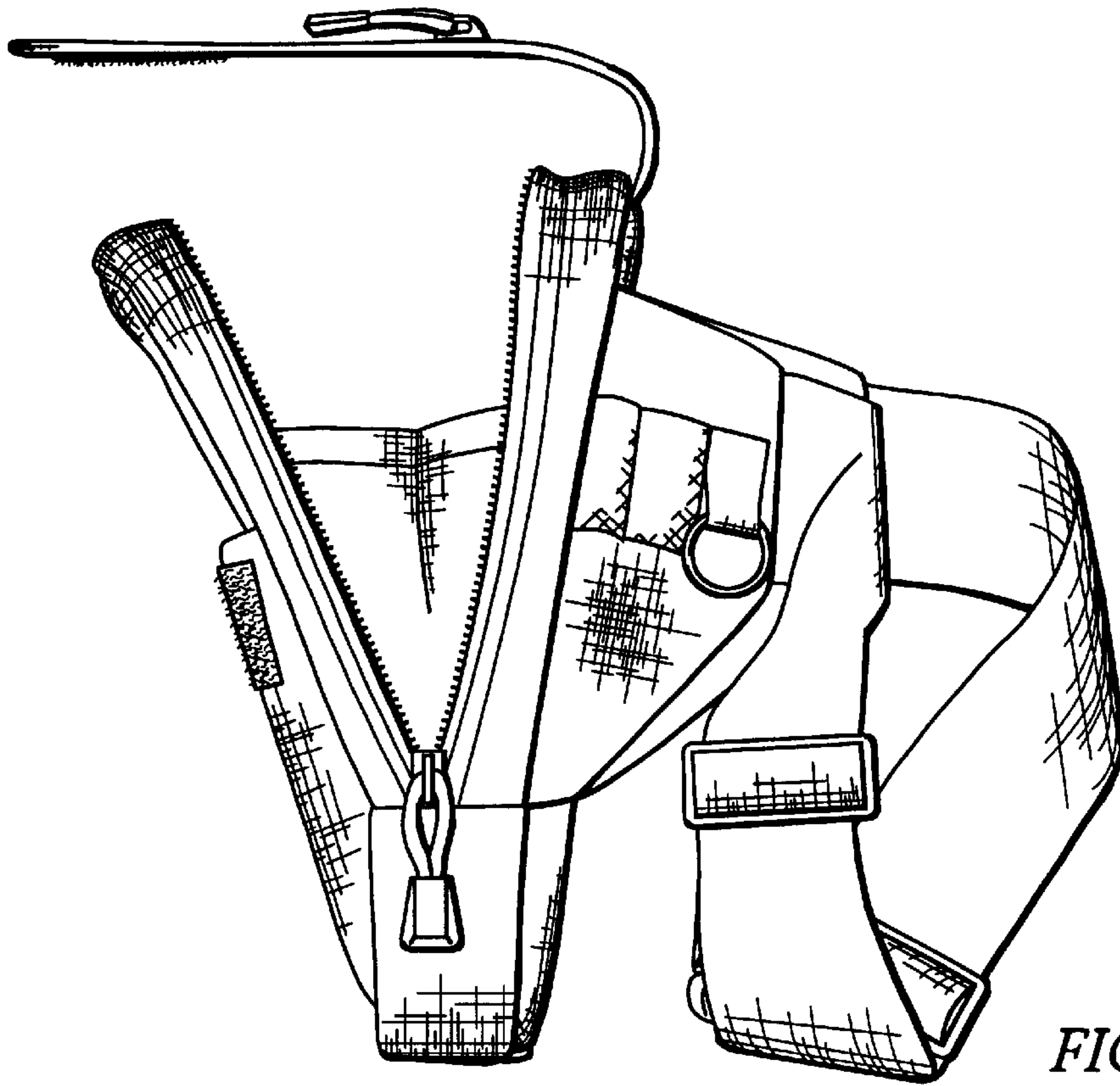


FIG. 5

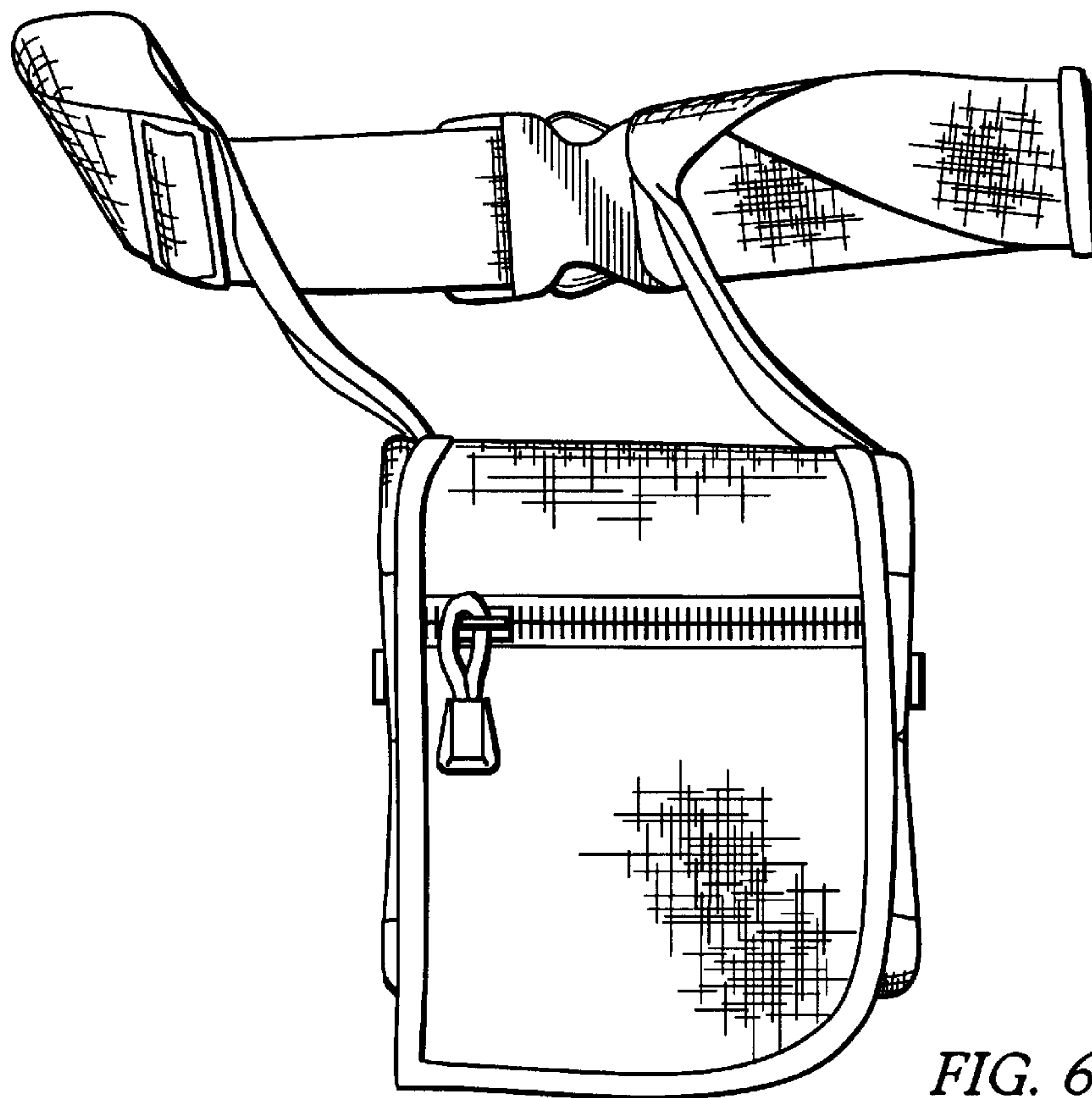


FIG. 6

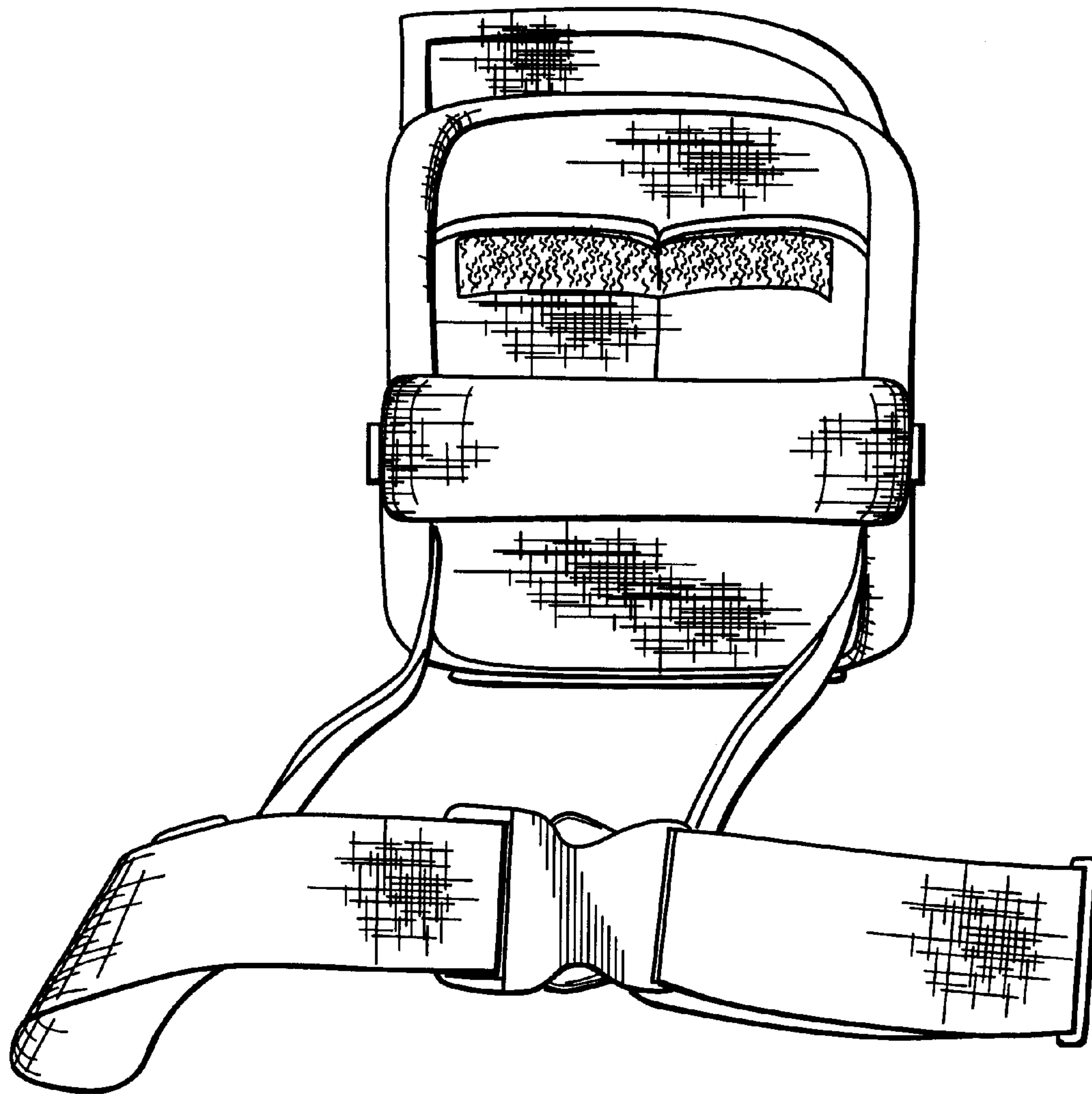


FIG. 7