

US00D498041S

(12) **United States Design Patent**  
**McClaskie**

(10) **Patent No.:** **US D498,041 S**

(45) **Date of Patent:** **\*\* Nov. 9, 2004**

(54) **OUTSOLE FOR A SHOE**

D489,166 S \* 5/2004 McClaskie ..... D2/953  
D489,880 S \* 5/2004 McClaskie ..... D2/952

(75) **Inventor:** **Thomas E. McClaskie**, Bethlehem, PA (US)

\* cited by examiner

(73) **Assignee:** **Columbia Insurance Company**, Omaha, NE (US)

*Primary Examiner*—Celia A. Murphy  
(74) *Attorney, Agent, or Firm*—St. Onge Steward Johnston & Reens LLC

(\*\*) **Term:** **14 Years**

(57) **CLAIM**

(21) **Appl. No.:** **29/191,416**

I claim the ornamental design for the outsole for a shoe, as shown and described in the drawings.

(22) **Filed:** **Oct. 7, 2003**

**DESCRIPTION**

(51) **LOC (7) Cl.** ..... **02-04**

(52) **U.S. Cl.** ..... **D2/956; D2/947; D2/951**

(58) **Field of Search** ..... D2/947, 949, 951,  
D2/953-960; 36/3 B, 22 R, 24.5, 25 R,  
32 A, 32 R, 103, 104, 117.3, 117.4

FIG. 1 is a bottom view of an outsole for a shoe in accordance with the new design;  
FIG. 2 is a right view of the outsole for a shoe in accordance with the embodiment of the new design shown in FIG. 1;  
FIG. 3 is a left view of the outsole for a shoe in accordance with the embodiment of the new design shown in FIG. 1;  
FIG. 4 is a front view of the outsole for a shoe in accordance with the embodiment of the new design shown in FIG. 1;  
FIG. 5 is a back view of the outsole for a shoe in accordance with the embodiment of the new design shown in FIG. 1;  
and,  
FIG. 6 is a cross sectional view of a fore area of the outsole for a shoe in accordance with the embodiment of the new design shown in FIG. 1.

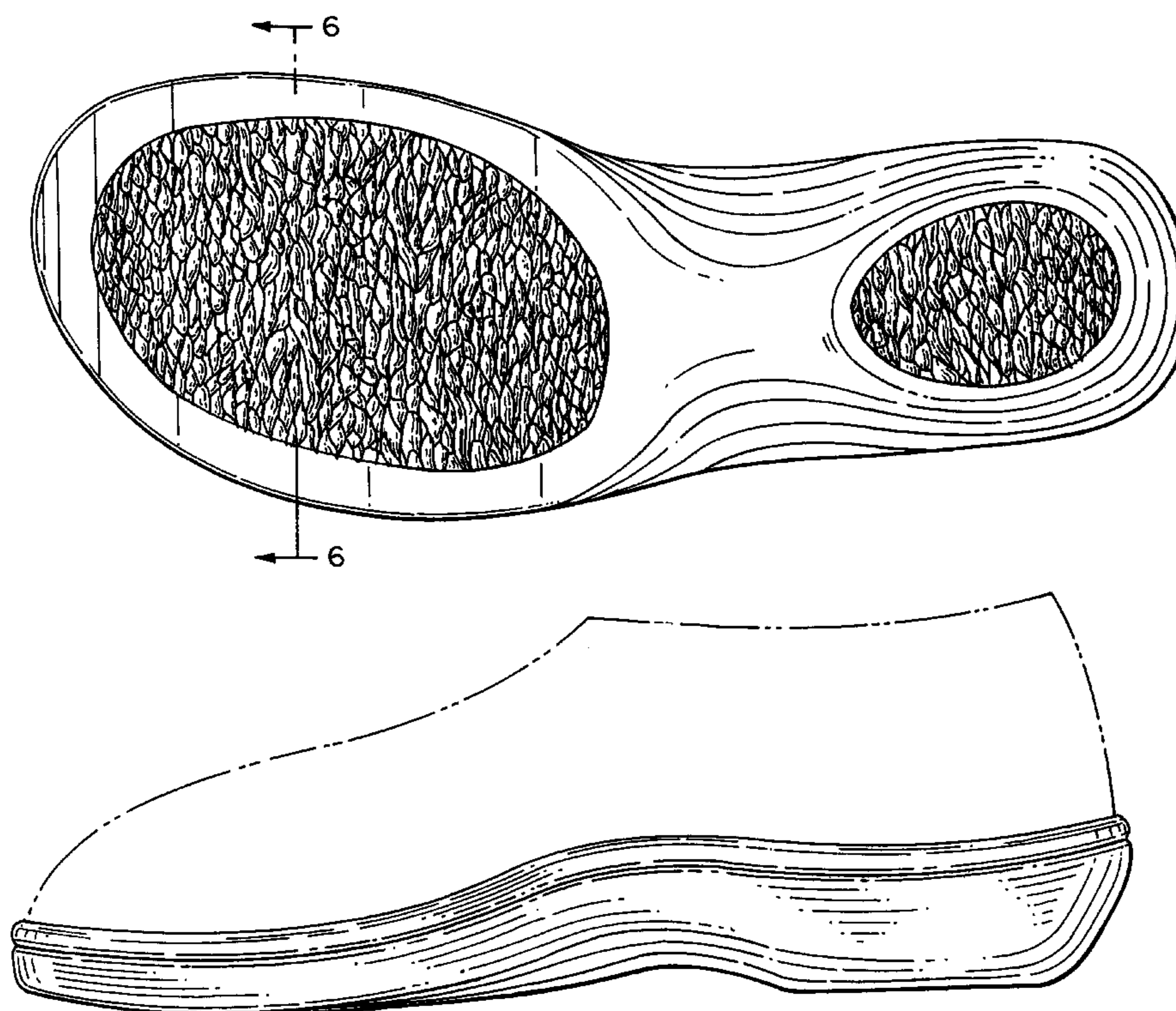
(56) **References Cited**

**U.S. PATENT DOCUMENTS**

- D64,898 S \* 6/1924 Gunlock
- D114,786 S \* 5/1939 Cutler
- D306,794 S \* 3/1990 Trulsen ..... D2/951
- D342,607 S \* 12/1993 Uda ..... D2/957
- D356,438 S \* 3/1995 Opie et al. .... D2/951
- D391,042 S \* 2/1998 Merceron ..... D2/951
- D391,748 S \* 3/1998 Koh ..... D2/951
- D398,440 S \* 9/1998 Rowland ..... D2/951
- D414,918 S \* 10/1999 McNaught ..... D2/953
- D426,947 S \* 6/2000 Pollastrelli ..... D2/956
- D482,851 S \* 12/2003 McClaskie ..... D2/953

The broken line showing a shoe upper in FIGS. 1-5, and the broken lines showing the interior surface in FIG. 6, illustrate the portions of the design that form no part of the claim.

**1 Claim, 5 Drawing Sheets**



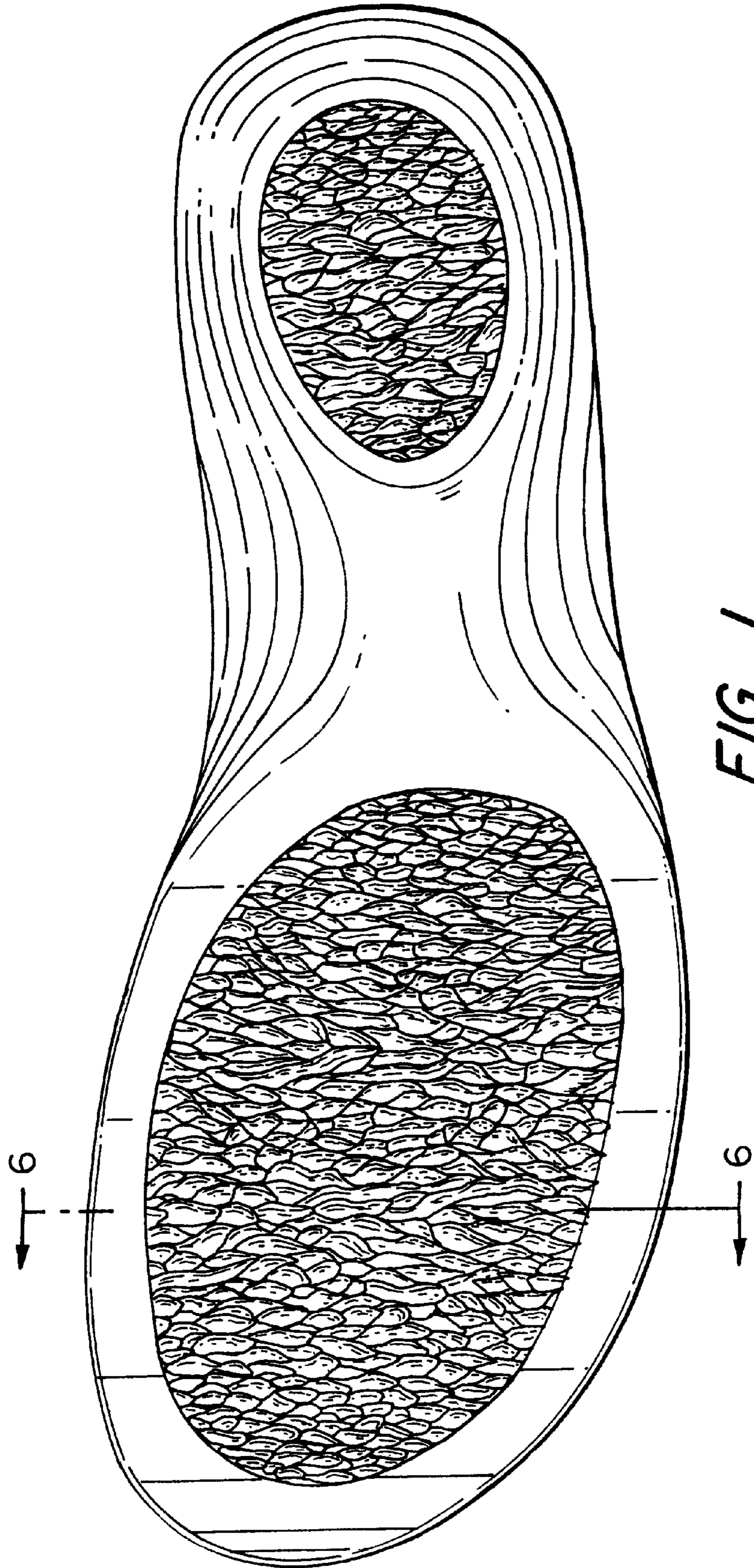
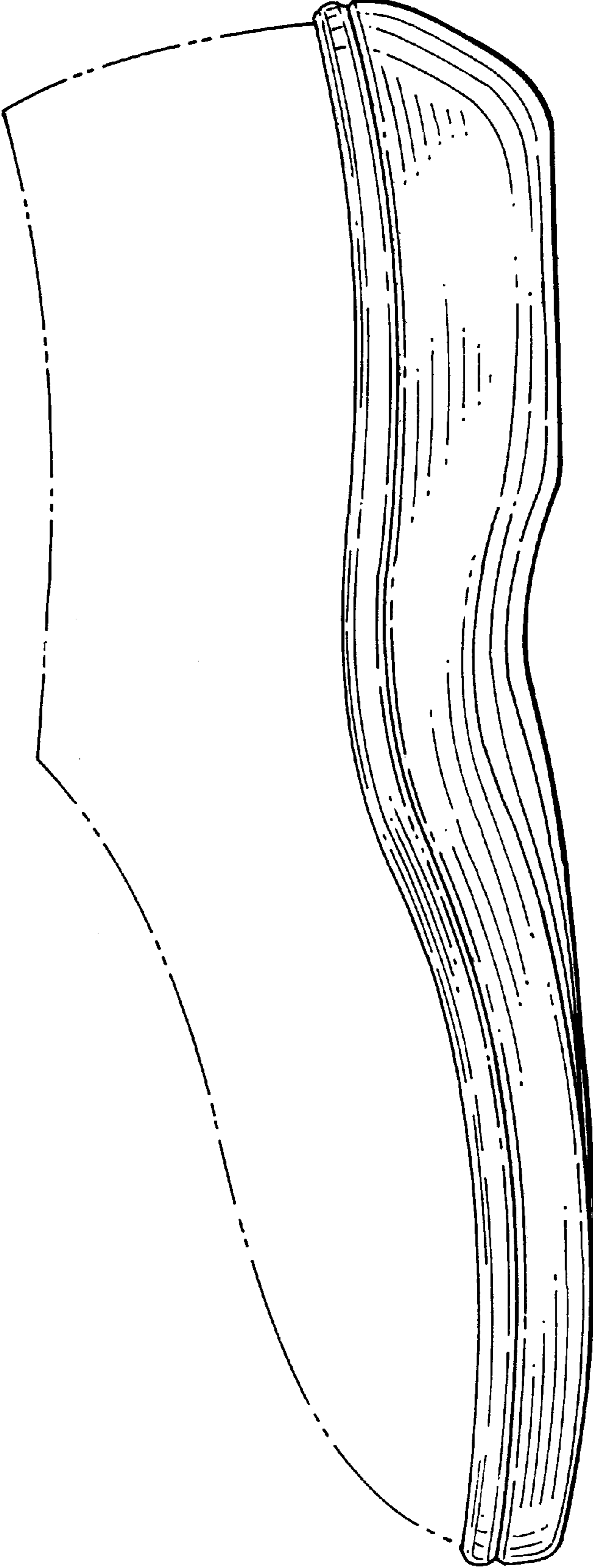


FIG. 1

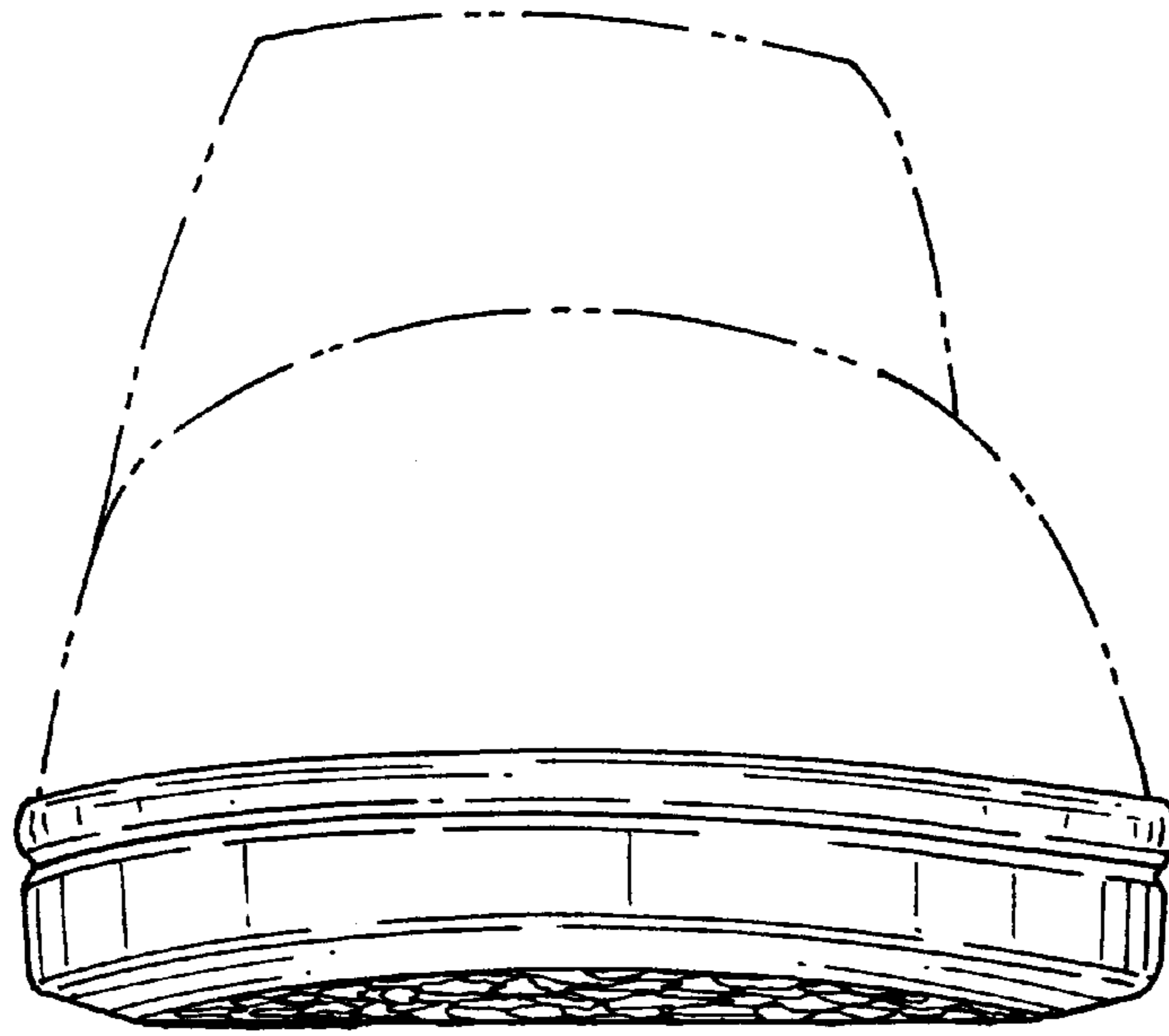


*FIG. 2*

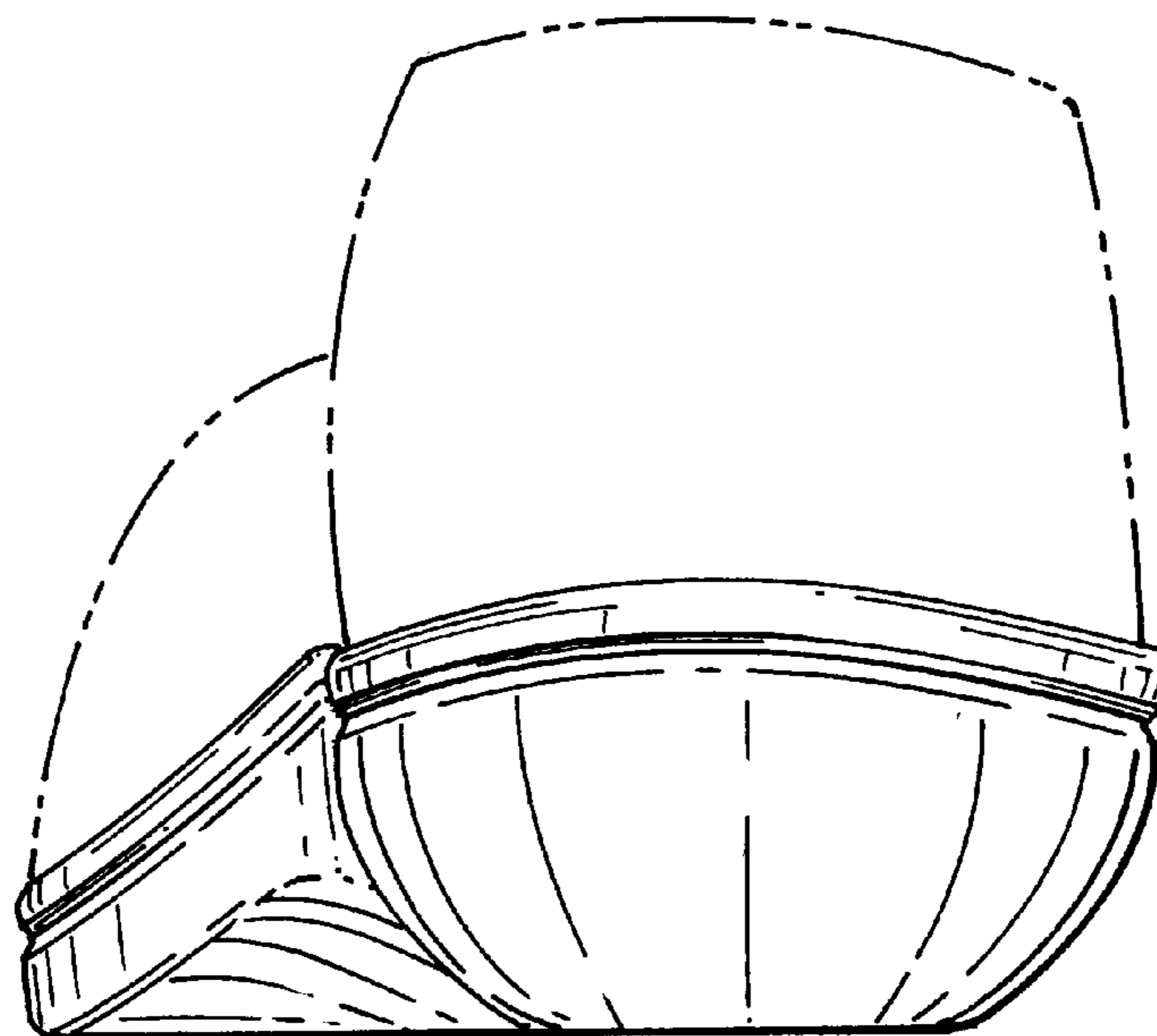




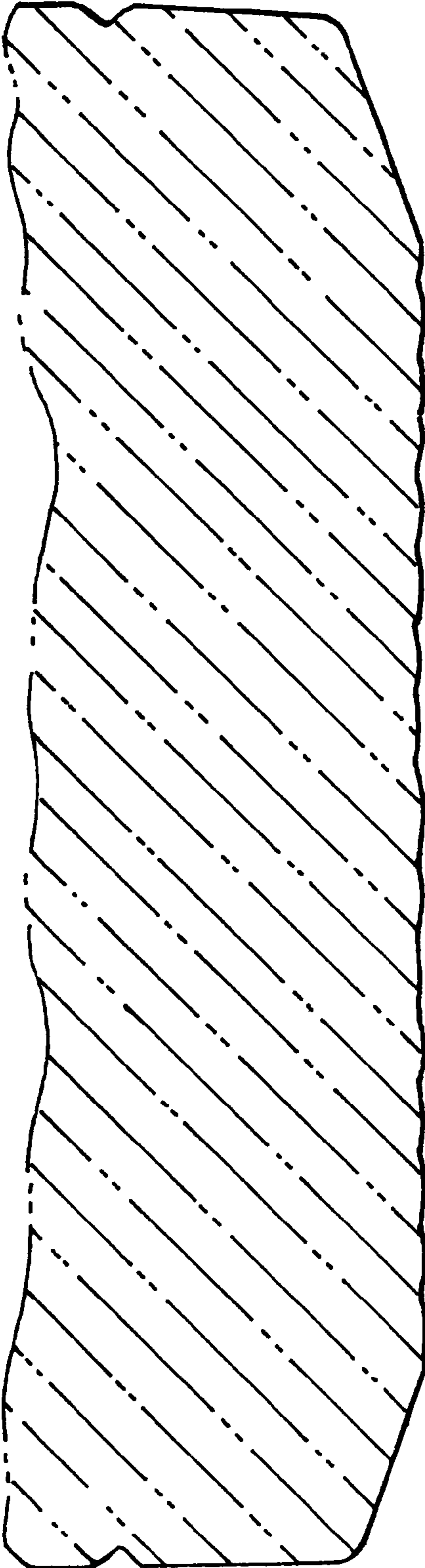
FIG. 3



*FIG. 4*



*FIG. 5*



**FIG. 6**