

US00D498027S1

(12) **United States Design Patent** (10) **Patent No.:** **US D498,027 S**
Alsruh et al. (45) **Date of Patent:** **** Nov. 2, 2004**

(54) **POWER SCRUBBING DEVICE**

(75) Inventors: **Wallis Alsruh**, Manchester, MD (US);
Wade King, Columbia, MD (US);
Kevin W. Covell, Parkton, MD (US)

(73) Assignee: **Black & Decker Inc.**, Newark, DE (US)

(**) Term: **14 Years**

(21) Appl. No.: **29/182,623**

(22) Filed: **May 29, 2003**

4,734,954 A 4/1988 Greskovics et al.
4,763,377 A 8/1988 Madsen
4,780,992 A 11/1988 McKerverey
D298,875 S * 12/1988 Nakamura D32/18
4,893,370 A 1/1990 Klotz
4,964,398 A 10/1990 Jones
5,058,229 A 10/1991 Plazanet
5,088,149 A 2/1992 Berg et al.
5,109,568 A 5/1992 Rohn et al.
5,157,873 A 10/1992 Rudolf et al.
5,289,605 A 3/1994 Armbruster
5,353,461 A 10/1994 Enriquez
5,371,912 A 12/1994 Hall

(List continued on next page.)

(51) **LOC (7) Cl.** **15-05**
(52) **U.S. Cl.** **D32/19**
(58) **Field of Search** D32/1, 15, 17-22,
D32/25, 31; D8/61-62; D4/102; 15/23,
28, 32, 34, 3.12, 302, 320

FOREIGN PATENT DOCUMENTS

JP 6-304116 11/1994

Primary Examiner—Robert A. Delehanty
(74) *Attorney, Agent, or Firm*—Harness, Dickey & Pierce, P.L.C.

(56) **References Cited**

U.S. PATENT DOCUMENTS

1,870,232 A 8/1932 Brim
2,782,452 A 2/1957 Kitto et al.
3,023,971 A 3/1962 Milhous
3,058,136 A 10/1962 Rachlin
3,164,855 A 1/1965 Hencken
3,226,259 A 12/1965 Armbrust
3,366,288 A 1/1968 Goldschein
3,398,848 A 8/1968 Doonvan
3,614,705 A 10/1971 Descarries et al.
3,688,139 A 8/1972 Yaguchi
3,731,334 A 5/1973 Carboneli
3,908,220 A 9/1975 Adamson et al.
4,045,836 A 9/1977 Glenn
4,084,281 A 4/1978 Smith
4,188,682 A 2/1980 Burglin et al.
4,202,068 A 5/1980 Lester et al.
4,207,640 A 6/1980 Sekula et al.
4,399,578 A 8/1983 Bordeaux
4,417,826 A 11/1983 Floros
4,490,873 A 1/1985 Stratton
4,524,477 A 6/1985 Williams, III et al.
4,686,735 A * 8/1987 Soeffker et al. 15/320
4,724,567 A 2/1988 Ronas

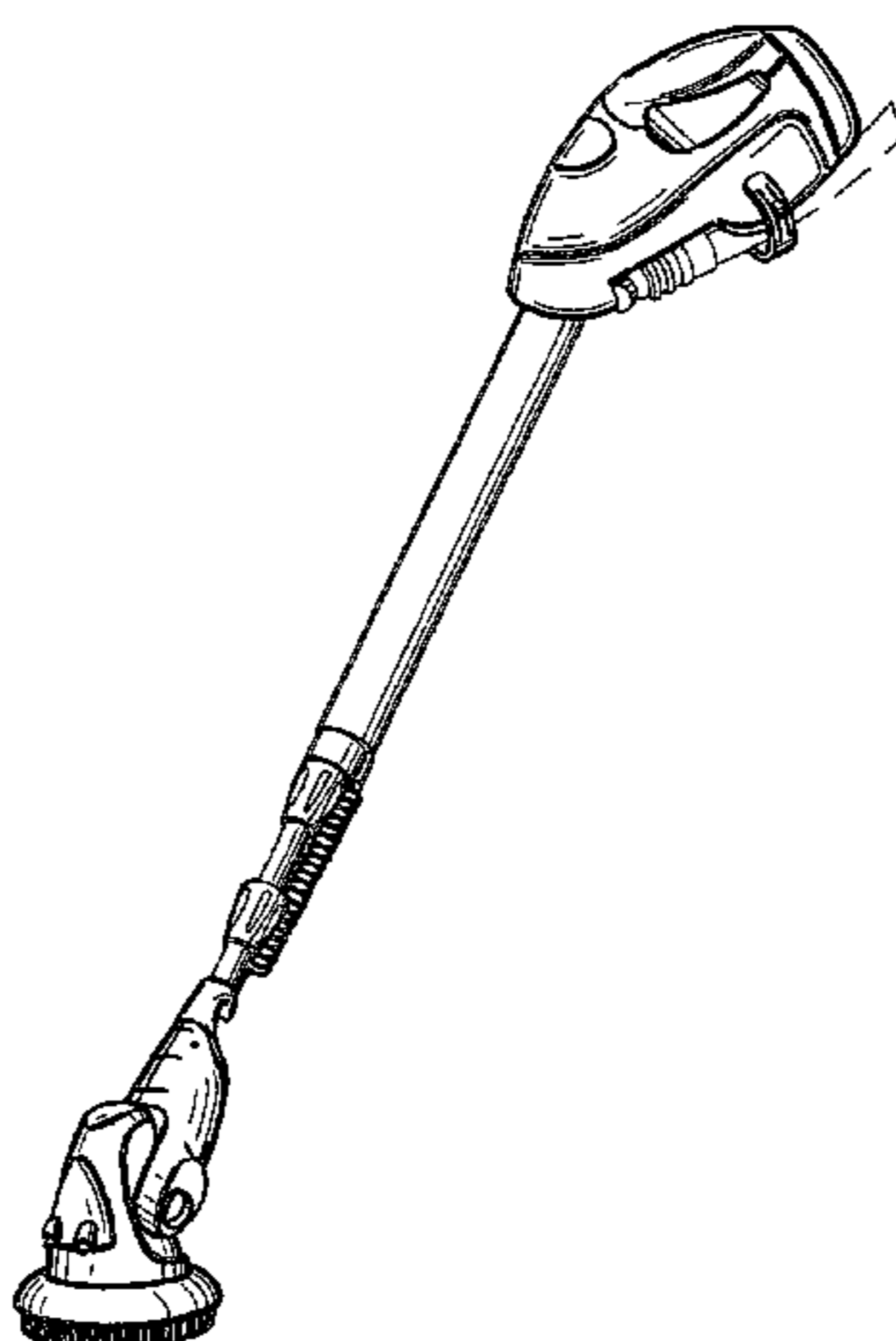
(57) **CLAIM**

The ornamental design for a power scrubbing device, substantially as shown and described.

DESCRIPTION

FIG. 1 is a perspective view of a power scrubbing device in accordance with the present invention.
FIG. 2 is a front plan view of the scrubbing device of FIG. 1.
FIG. 3 is a rear plan view of the scrubbing device of FIG. 1.
FIG. 4 is a right side plan view of the scrubbing device of FIG. 1.
FIG. 5 is a left side plan view of the scrubbing device of FIG. 1.
FIG. 6 is a top plan view of the scrubbing device of FIG. 1; and,
FIG. 7 is a bottom plan view of the scrubbing device of FIG. 1.
The broken line showing of a hose is for illustrative purposes only and forms no part of the claimed design.

1 Claim, 5 Drawing Sheets



US D498,027 S

Page 2

U.S. PATENT DOCUMENTS

| | | | | | |
|-------------|---------|-------------------|-------------------|---------|----------------------------|
| 5,423,102 A | 6/1995 | Madison | 6,009,593 A | 1/2000 | Crouser et al. |
| 5,500,972 A | 3/1996 | Foster | 6,016,812 A | 1/2000 | Guyann |
| 5,513,409 A | 5/1996 | Biegel | 6,026,529 A | 2/2000 | Caruso |
| 5,588,176 A | 12/1996 | Sixsmith | 6,058,542 A | 5/2000 | Lo |
| 5,649,334 A | 7/1997 | Henriquez et al. | 6,088,873 A | 7/2000 | Pacchini et al. |
| 5,701,625 A | 12/1997 | Siman | 6,112,354 A | 9/2000 | Stoltz et al. |
| 5,784,744 A | 7/1998 | Toran | 6,164,496 A | 12/2000 | Gregory |
| 5,842,243 A | 12/1998 | Horvath et al. | 6,374,447 B1 | 4/2002 | Armbruster et al. |
| 5,870,790 A | 2/1999 | Root et al. | 6,439,409 B1 | 8/2002 | Dressel et al. |
| 5,956,792 A | 9/1999 | Gutelius et al. | D489,151 S * | 4/2004 | Krieger et al. D32/15 |
| 5,957,387 A | 9/1999 | Porta et al. | 2003/0007788 A1 * | 1/2003 | Wang 15/320 |
| 5,960,503 A | 10/1999 | Del Pozo Y Mattei | 2003/0159228 A1 * | 8/2003 | Lee et al. 15/320 |

* cited by examiner

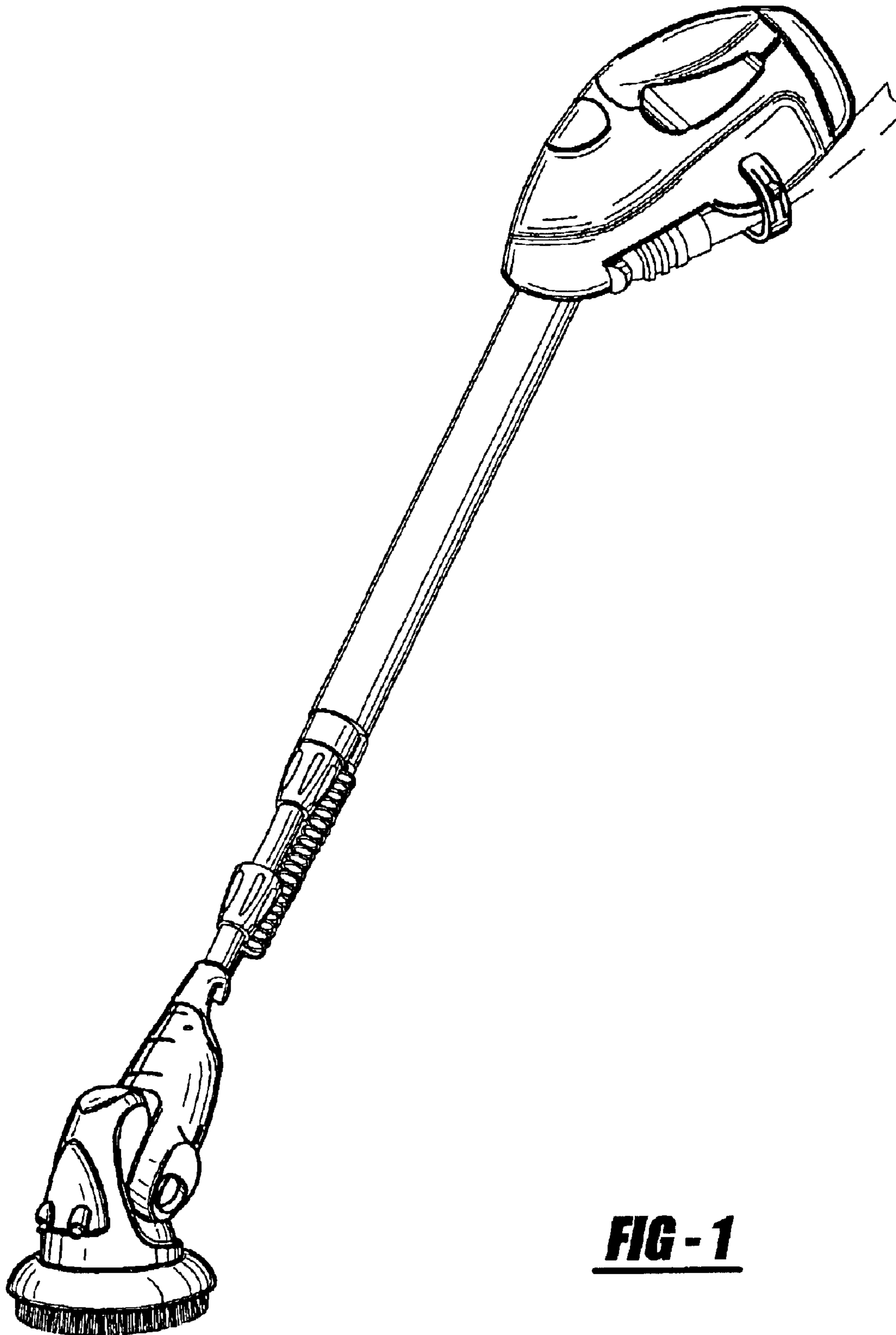


FIG - 1

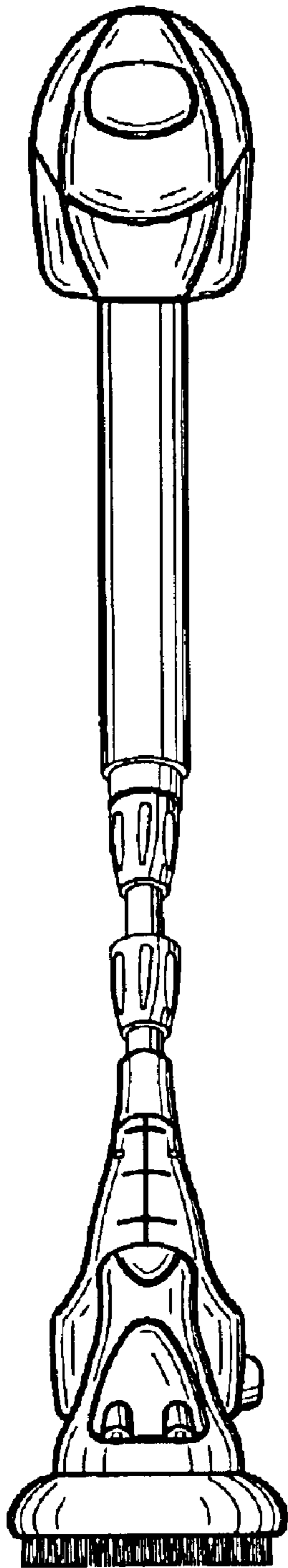


FIG - 2

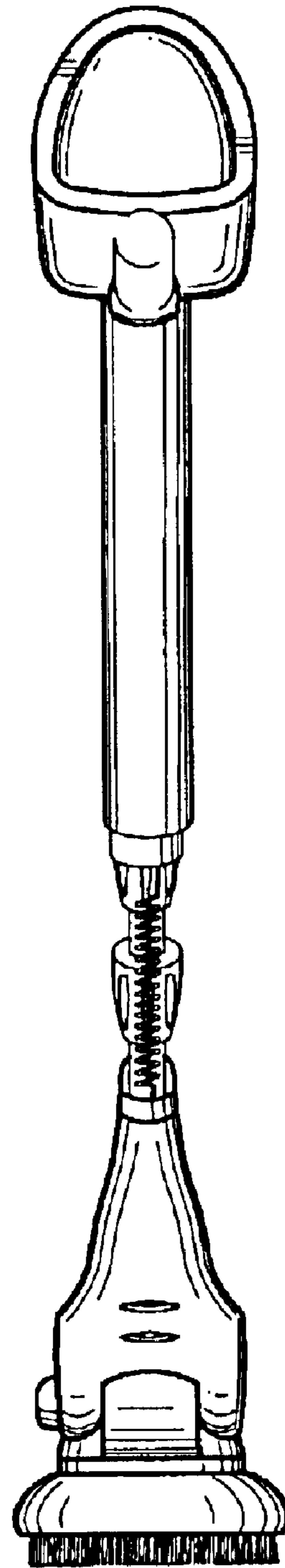


FIG - 3

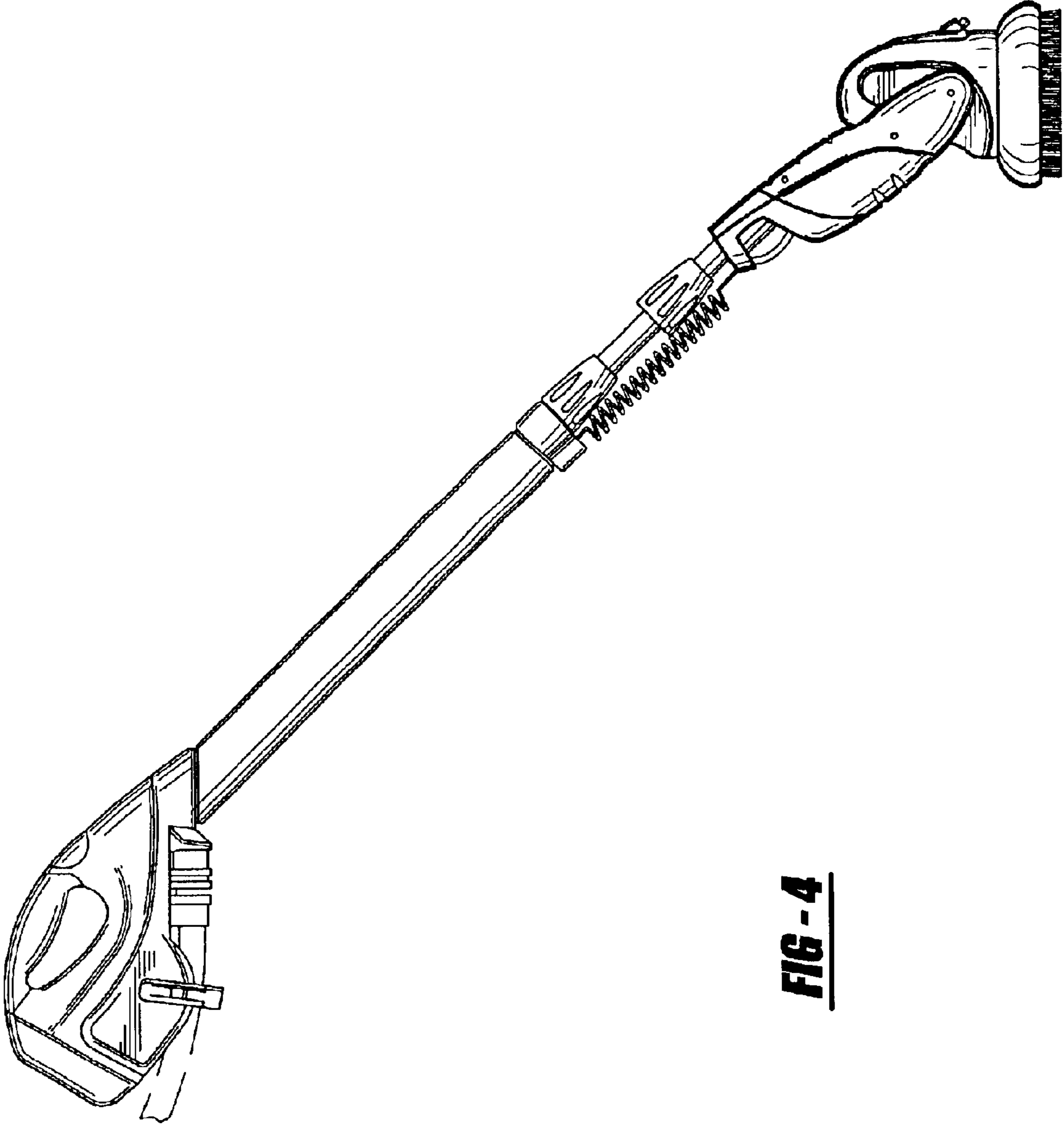


FIG - 4

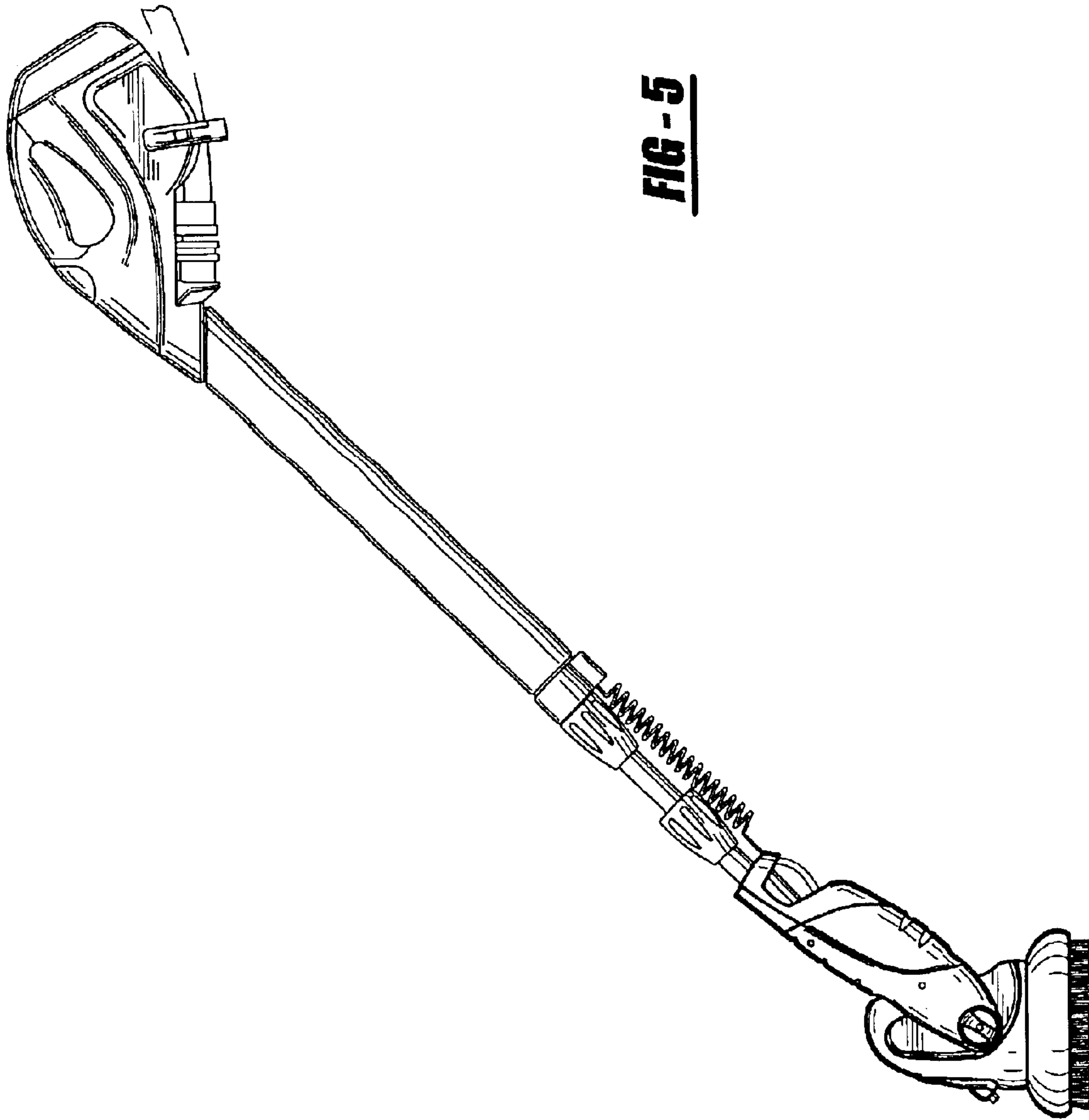


FIG - 5

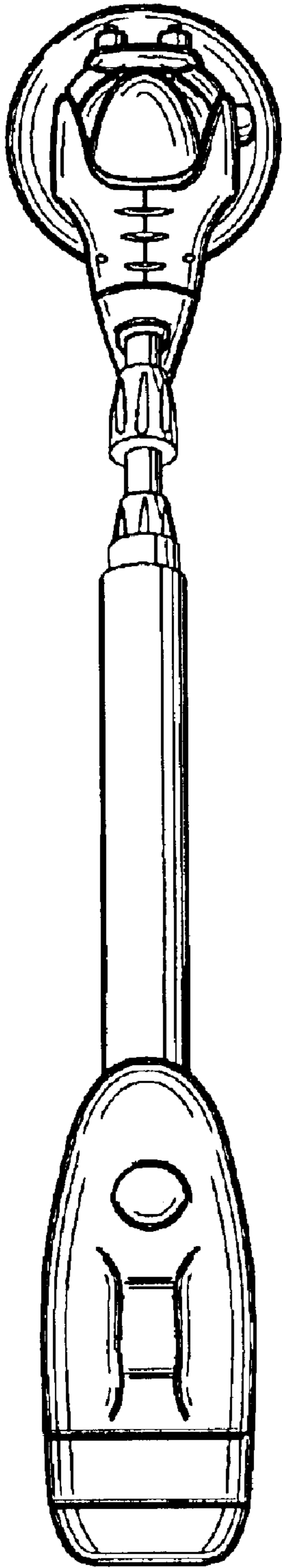


FIG - 6

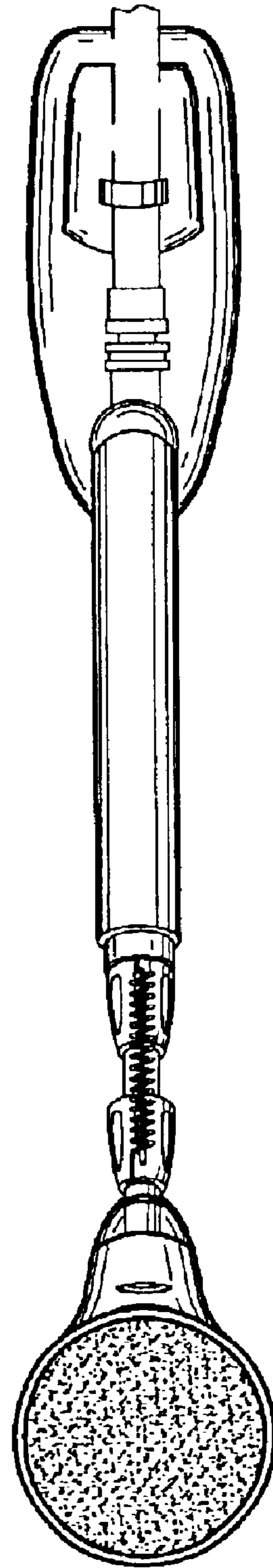


FIG - 7

UNITED STATES PATENT AND TRADEMARK OFFICE
CERTIFICATE OF CORRECTION

PATENT NO. : Des. 498,027 S
DATED : November 2, 2004
INVENTOR(S) : Alsruhe et al.

Page 1 of 1

It is certified that error appears in the above-identified patent and that said Letters Patent is hereby corrected as shown below:

Title page,

Item [12], "**Alsrüh et al**" should be -- **Alsruhe et al** --.

Item [75], Inventors, "**Alsrüh**" should be -- **Alsruhe** --.

Item [56], **References Cited**, U.S. PATENT DOCUMENTS, reference, "3,398,848",
"Doonvan" should be -- Donovan --.

Signed and Sealed this

First Day of March, 2005

A handwritten signature in black ink on a light gray dotted background. The signature reads "Jon W. Dudas" in a cursive style.

JON W. DUDAS

Director of the United States Patent and Trademark Office