

US00D498023S1

(12) **United States Design Patent**  
**Dombrowski et al.**

(10) **Patent No.:** **US D498,023 S**

(45) **Date of Patent:** **\*\* Nov. 2, 2004**

(54) **SHAVER HANDLE**

(75) Inventors: **David Dombrowski**, Madison, CT (US); **Christine Ciccone**, New Haven, CT (US); **Sean Lukan**, Milford, CT (US)

(73) Assignee: **Eveready Battery Company, Inc.**, St. Louis, MO (US)

(\*\*) Term: **14 Years**

(21) Appl. No.: **29/178,831**

(22) Filed: **Apr. 1, 2003**

(51) **LOC (7) Cl.** ..... **28-03**

(52) **U.S. Cl.** ..... **D28/49**

(58) **Field of Search** ..... D28/44, 44.1, D28/49, 51-53; 30/34.05, 34.1, 41.9, 43-43.9, 44, 45, 48-50, 85, 526

(56) **References Cited**

**U.S. PATENT DOCUMENTS**

D326,166 S \* 5/1992 Yanagida et al. .... D28/49

D392,412 S \* 3/1998 Kip ..... D28/49  
D479,361 S \* 9/2003 Micinilio ..... D28/49  
D482,821 S \* 11/2003 Seifert ..... D28/44.1

\* cited by examiner

*Primary Examiner*—Jennifer Rivard

(74) *Attorney, Agent, or Firm*—McCormick, Paulding & Huber LLP

(57) **CLAIM**

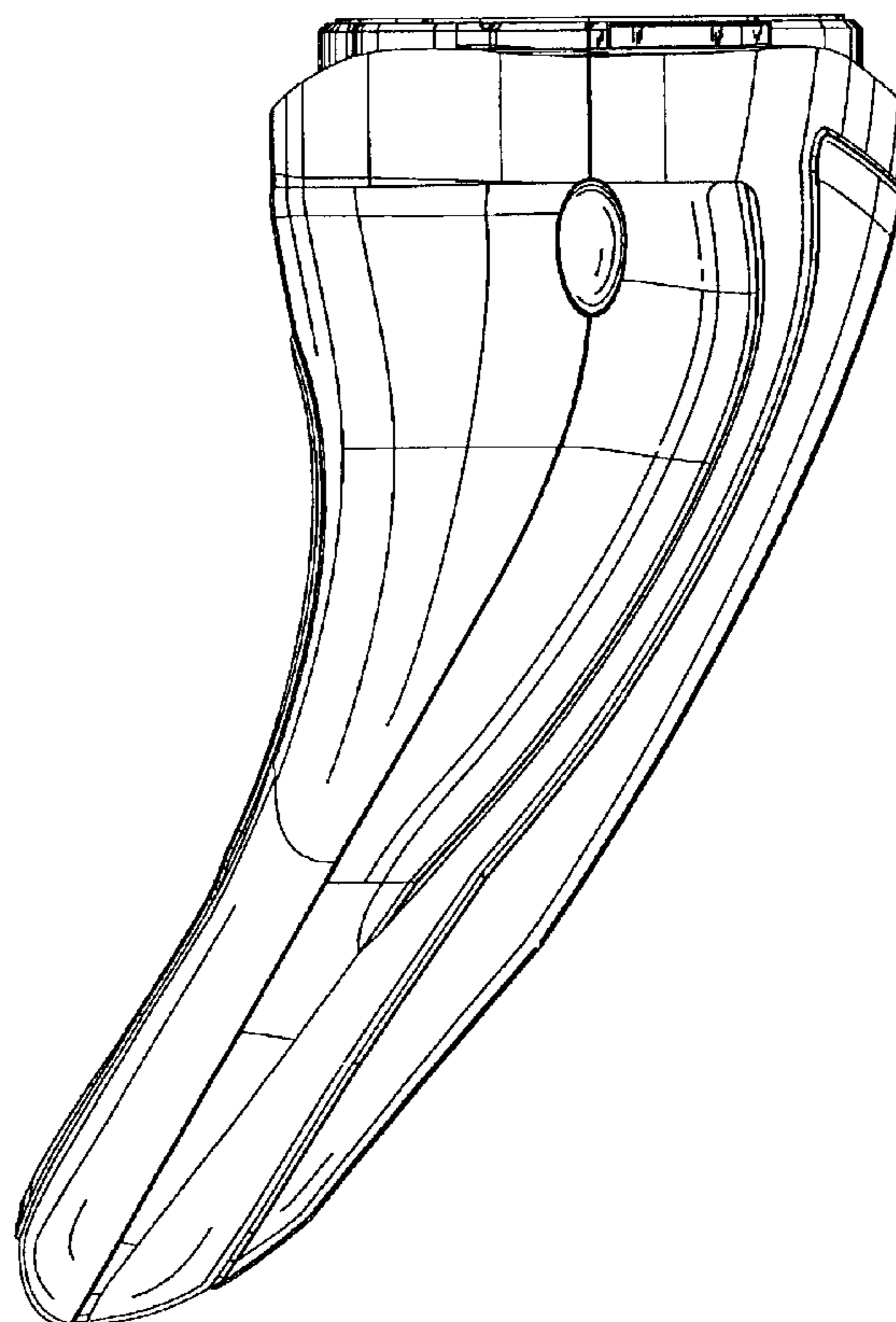
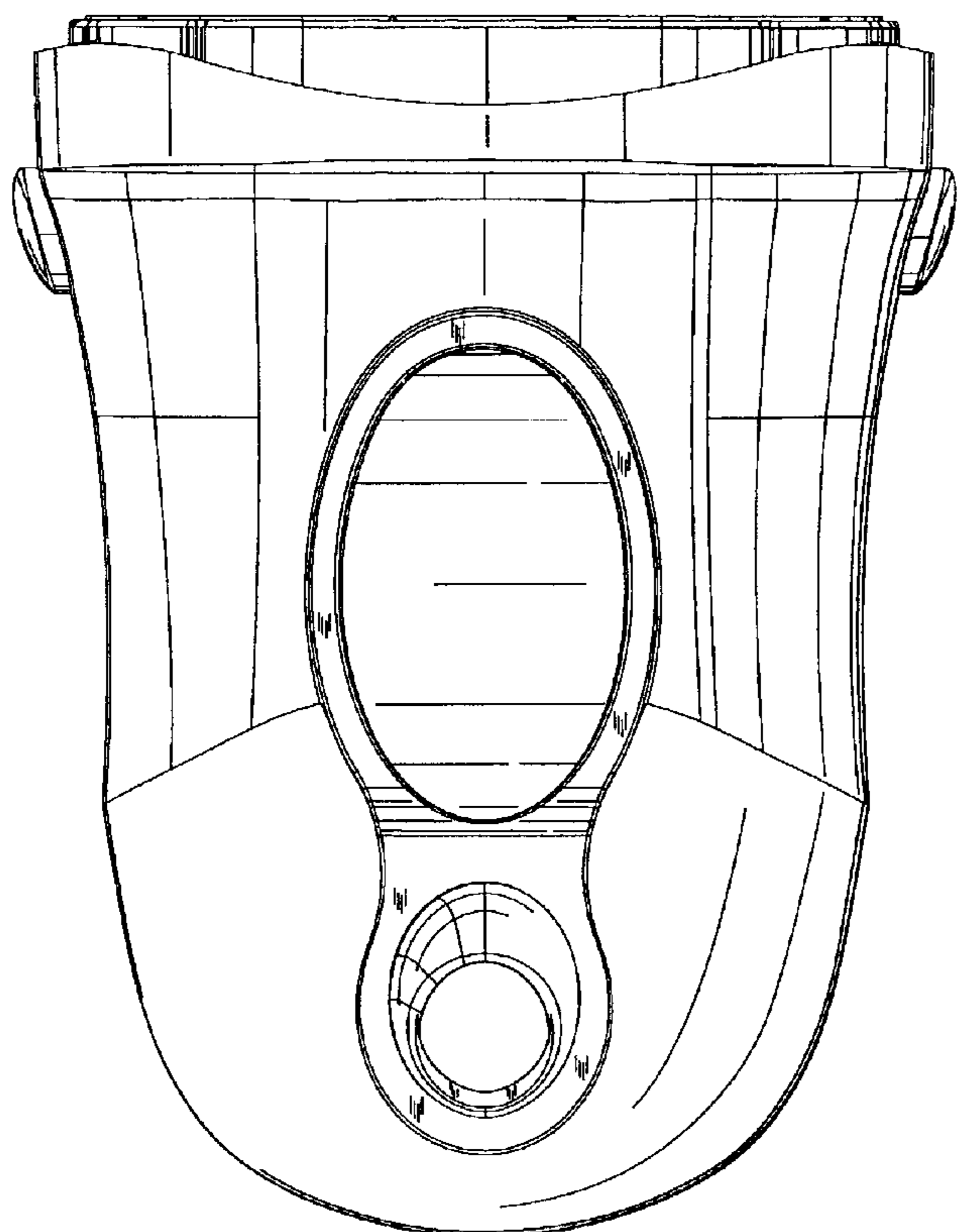
The ornamental design for a shaver handle, as shown and described.

**DESCRIPTION**

FIG. 1 is a front view showing of our new design; FIG. 2 is a right side view thereof; FIG. 3 is a rear side view thereof; FIG. 4 is a left side view thereof; FIG. 5 is a top view thereof; and, FIG. 6 is a bottom view thereof.

The portions shown in broken lines on the drawings represent environment only, and form no part of the claimed design.

**1 Claim, 6 Drawing Sheets**



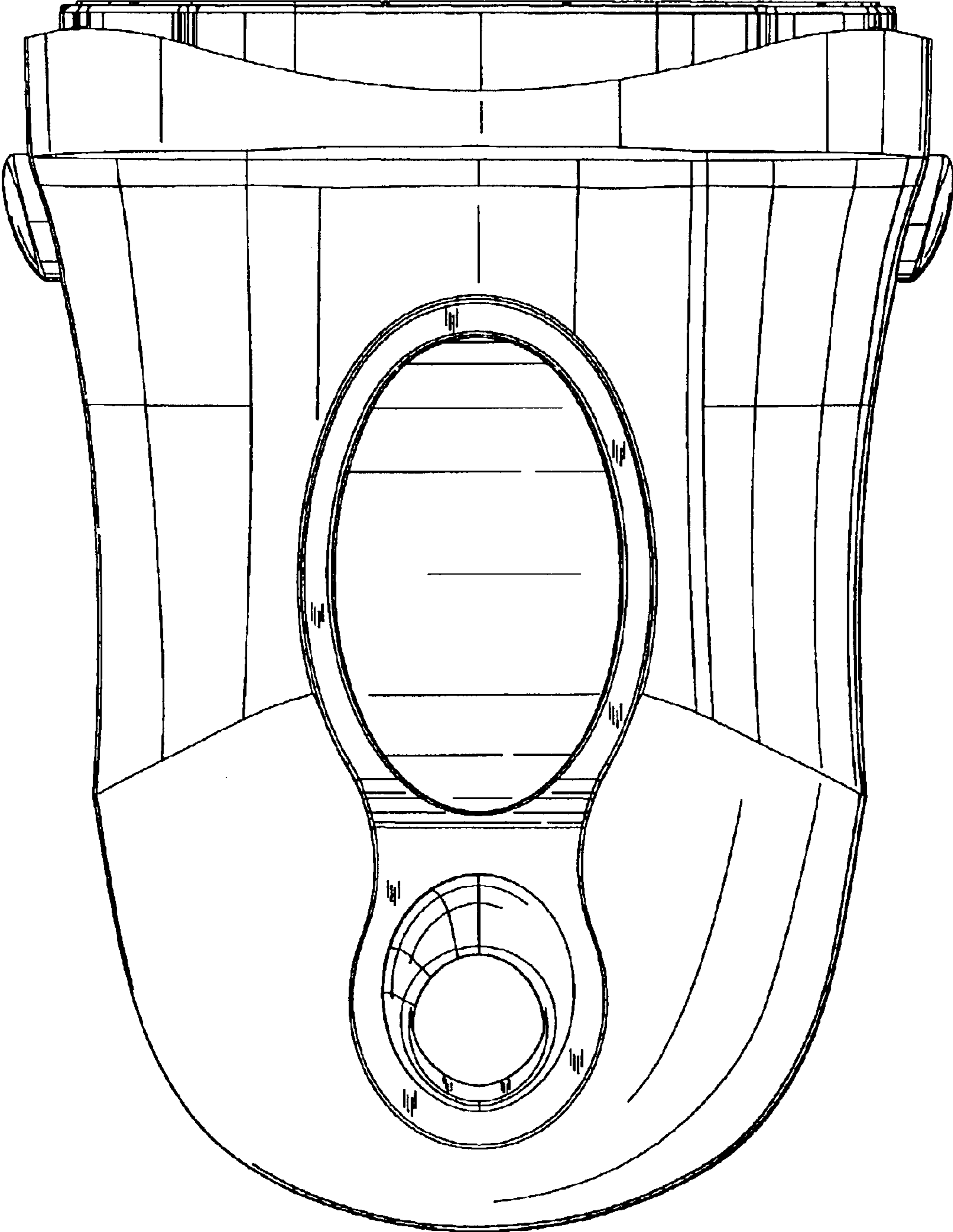


FIG. 1

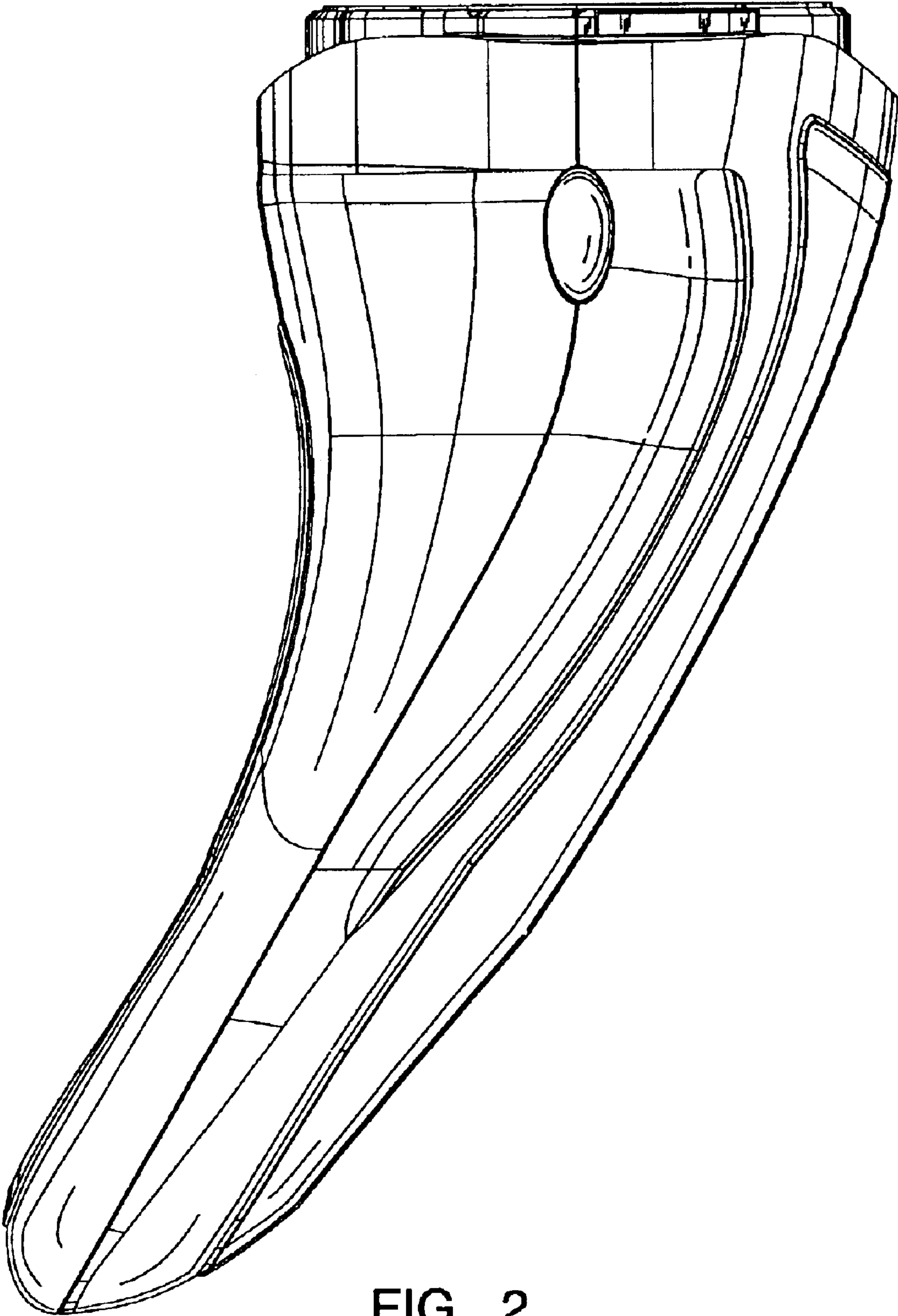


FIG. 2

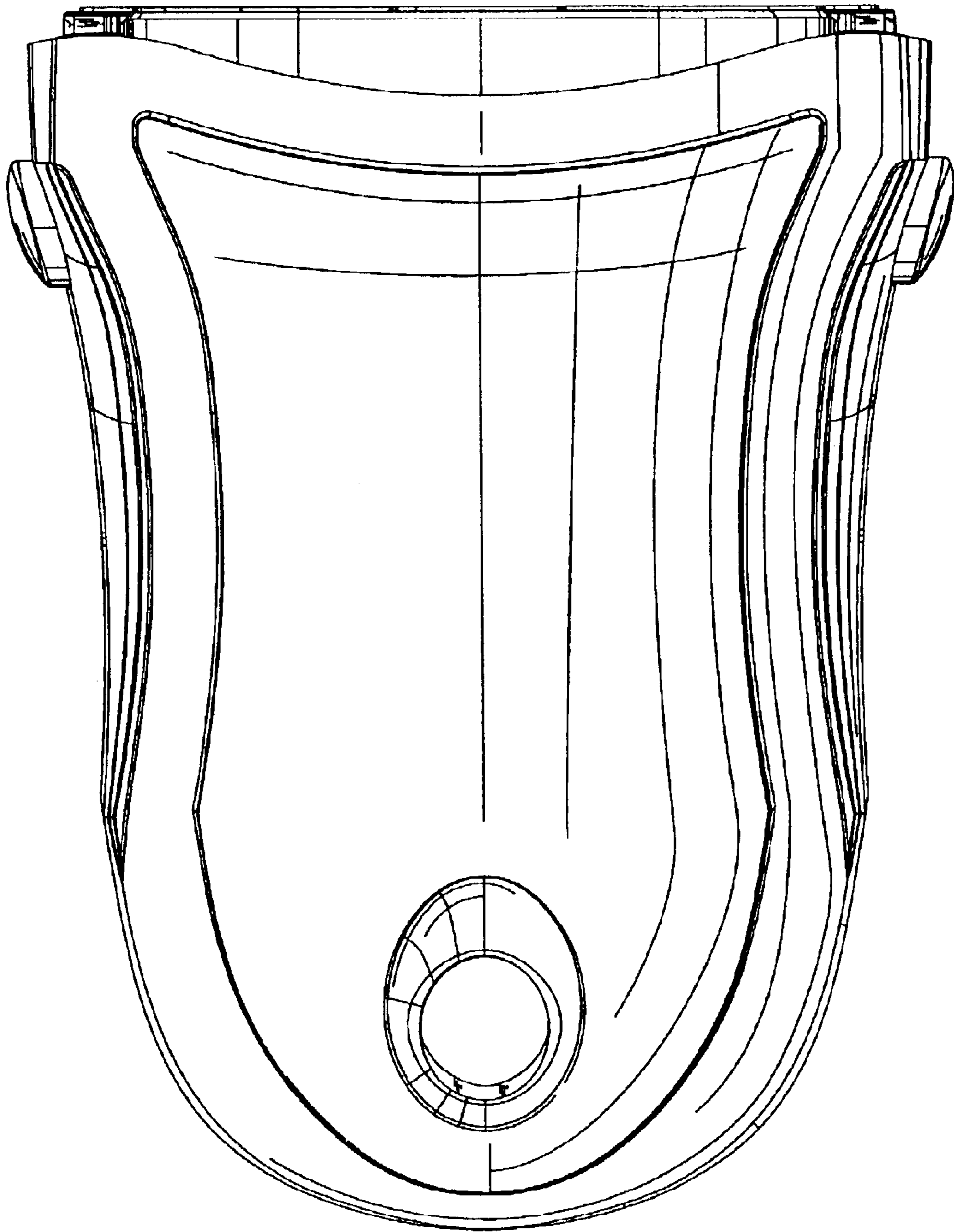


FIG. 3

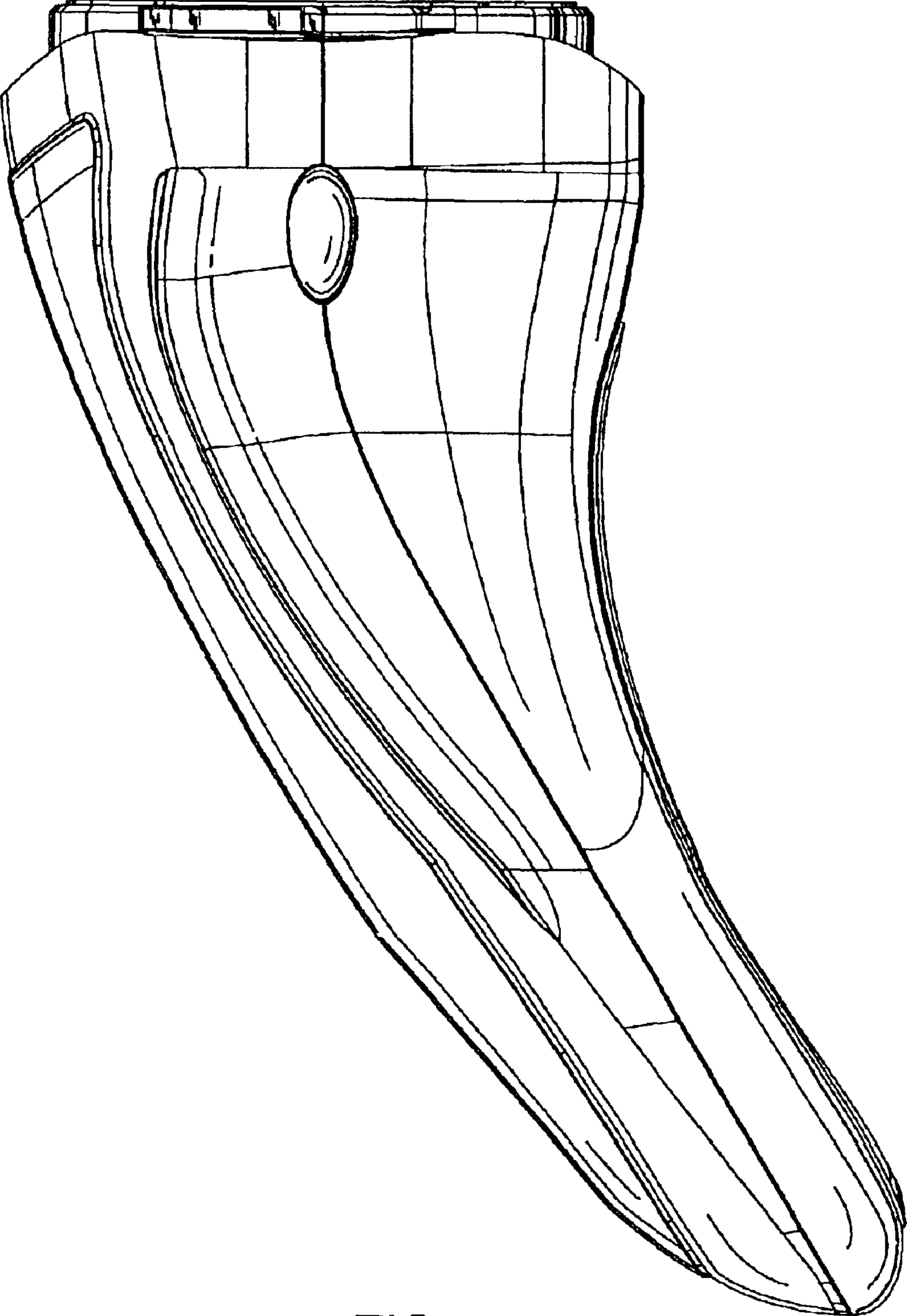


FIG. 4

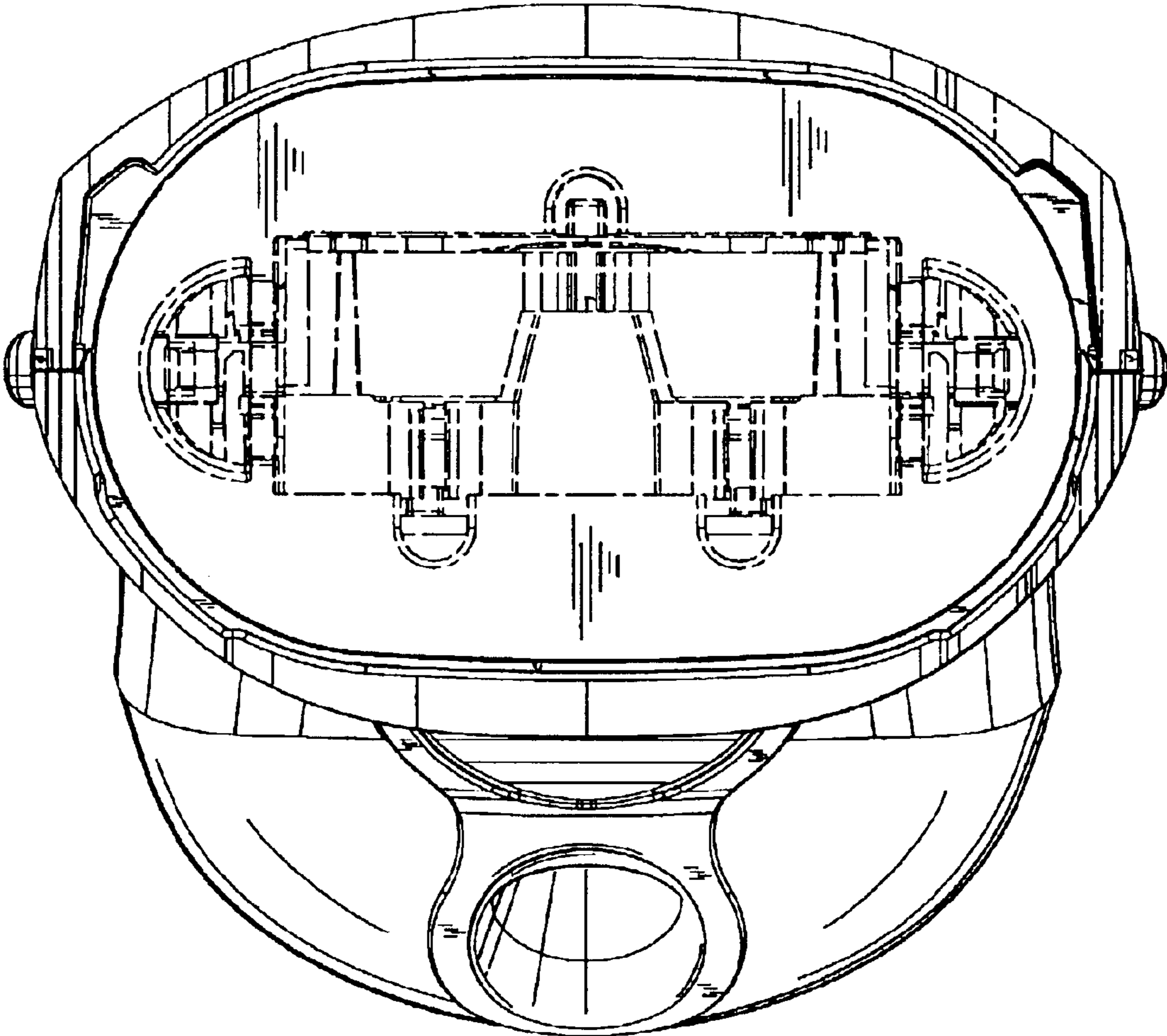


FIG. 5

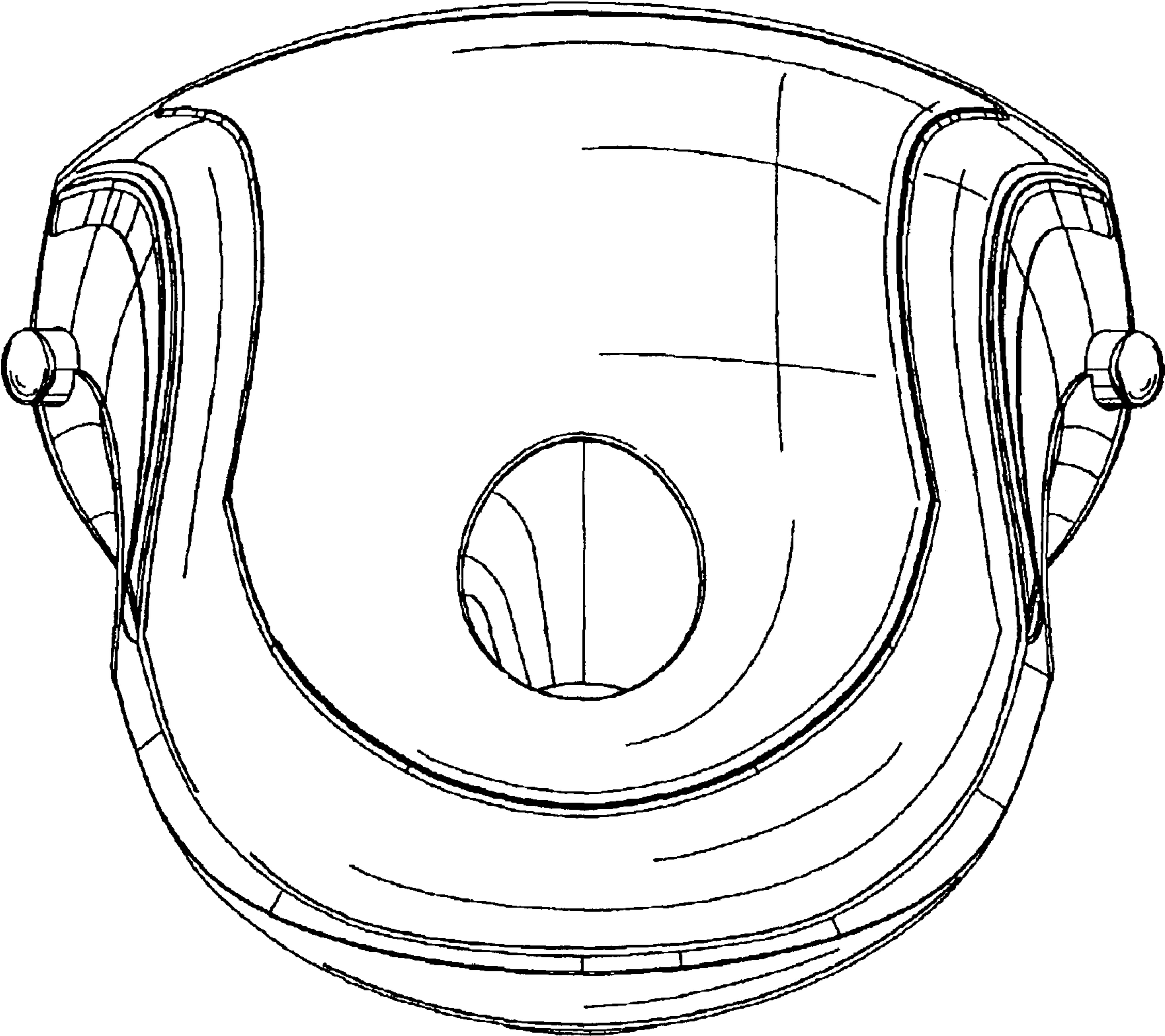


FIG. 6