

US00D498016S1

(12) **United States Design Patent** (10) **Patent No.:** **US D498,016 S**  
**Herst et al.** (45) **Date of Patent:** **\*\* Nov. 2, 2004**

- (54) **PORTION OF A COMBINED LIGHTING FIXTURE AND HANGER**
- (75) Inventors: **Douglas J. Herst**, Ross, CA (US);  
**Utkan Salman**, Oakland, CA (US)
- (73) Assignee: **Acuity Brands, Inc.**, Atlanta, GA (US)
- (\*\*) Term: **14 Years**
- (21) Appl. No.: **29/194,681**
- (22) Filed: **Nov. 26, 2003**
- (51) **LOC (7) Cl.** ..... **26-03**
- (52) **U.S. Cl.** ..... **D26/76; D26/118**
- (58) **Field of Search** ..... **D26/72, 75-79,**  
**D26/118; 362/217-225, 337, 339**

(56) **References Cited**

**U.S. PATENT DOCUMENTS**

D124,617 S	*	1/1941	Strassburger et al.	.....	D26/76
D127,398 S	*	5/1941	Jordan	.....	D26/76
D145,219 S	*	7/1946	Kirchmer et al.	.....	D26/76
D198,183 S	*	5/1964	Akaly	.....	D26/71
4,499,529 A	*	2/1985	Figuroa	.....	362/283
5,224,770 A	*	7/1993	Simmons et al.	.....	362/29
5,746,502 A	*	5/1998	Huang	.....	362/223
D411,027 S		6/1999	Herst et al.		
6,033,092 A	*	3/2000	Simon	.....	362/298
6,210,018 B1	*	4/2001	Kassay et al.	.....	362/216
6,543,912 B1	*	4/2003	Simon	.....	362/327

**OTHER PUBLICATIONS**

- Catalog sheet, 6" Round Available Fixtures, Peerless Lighting Corp., 1995.
- Catalog sheet, 4" Round, Peerless Lighting Corp., 1996.
- Lightscreen Product Brochure, 9x3 Rounded, Peerless Lighting Corp., 1993.
- Catalog sheet, 6x3 Wall Wash, Peerless Lighting Corp., 1996.

Trugrid Product Brochure, Peerless Lighting Corp., 1994.  
 Catalog sheet, 9" Round, Peerless Lighting Corp., 1996.  
 Catalog sheet, 8½x4 Rounded V Indirect, Peerless Lighting Corp., 1995.  
 Lightfoil Product Brochure, Peerless Lighting Corp., 1997.

\* cited by examiner

*Primary Examiner*—Clare E Heflin  
 (74) *Attorney, Agent, or Firm*—Donald L. Beeson

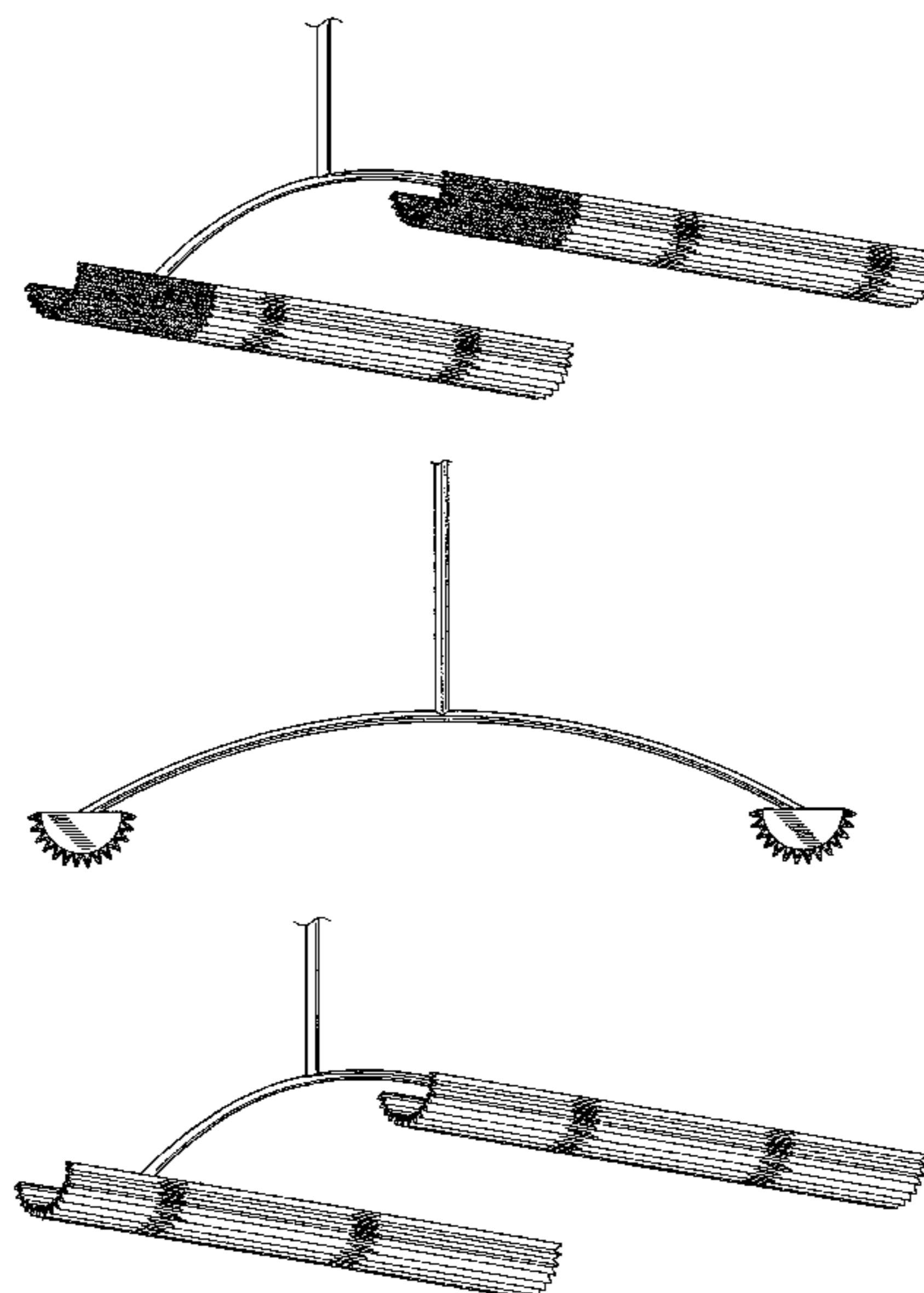
(57) **CLAIM**

The ornamental design for a portion of a combined lighting fixture and hanger, as shown and described.

**DESCRIPTION**

FIG. 1 is a bottom perspective view of a portion of a lighting fixture and hanger showing our new design;  
 FIG. 2 is an end elevational view thereof;  
 FIG. 3 is a side elevational view thereof, the other side being a mirror image;  
 FIG. 4 is a bottom plan view thereof; and  
 FIG. 5 is a top plan view thereof.  
 FIG. 6 is a bottom perspective view of an alternative embodiment of a portion of a lighting fixture and hanger showing our new design;  
 FIG. 7 is an end elevational view thereof;  
 FIG. 8 is a side elevational view thereof, the other side being a mirror image;  
 FIG. 9 is a bottom plan view thereof; and,  
 FIG. 10 is a top plan view thereof.  
 FIGS. 1-10 are broken away to indicate indeterminate length. The broken lines showing of a fluorescent lamp in FIGS. 5 and 10 are for illustrative purposes only and form no part of our claimed design. The broken lines immediately adjacent the shaded areas in FIGS. 5 and 10 represent the bounds of the claimed design; the region within these broken lines forms no part of our claimed design.

**1 Claim, 10 Drawing Sheets**



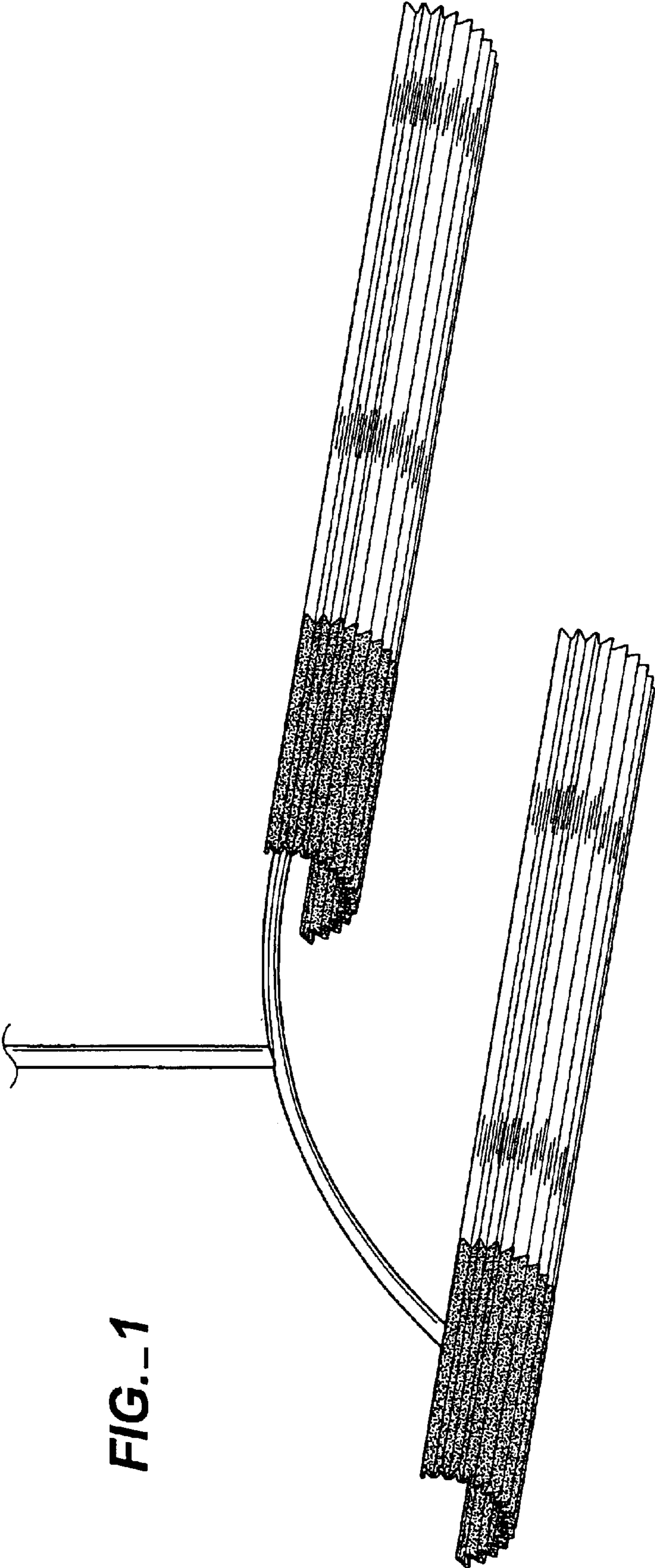
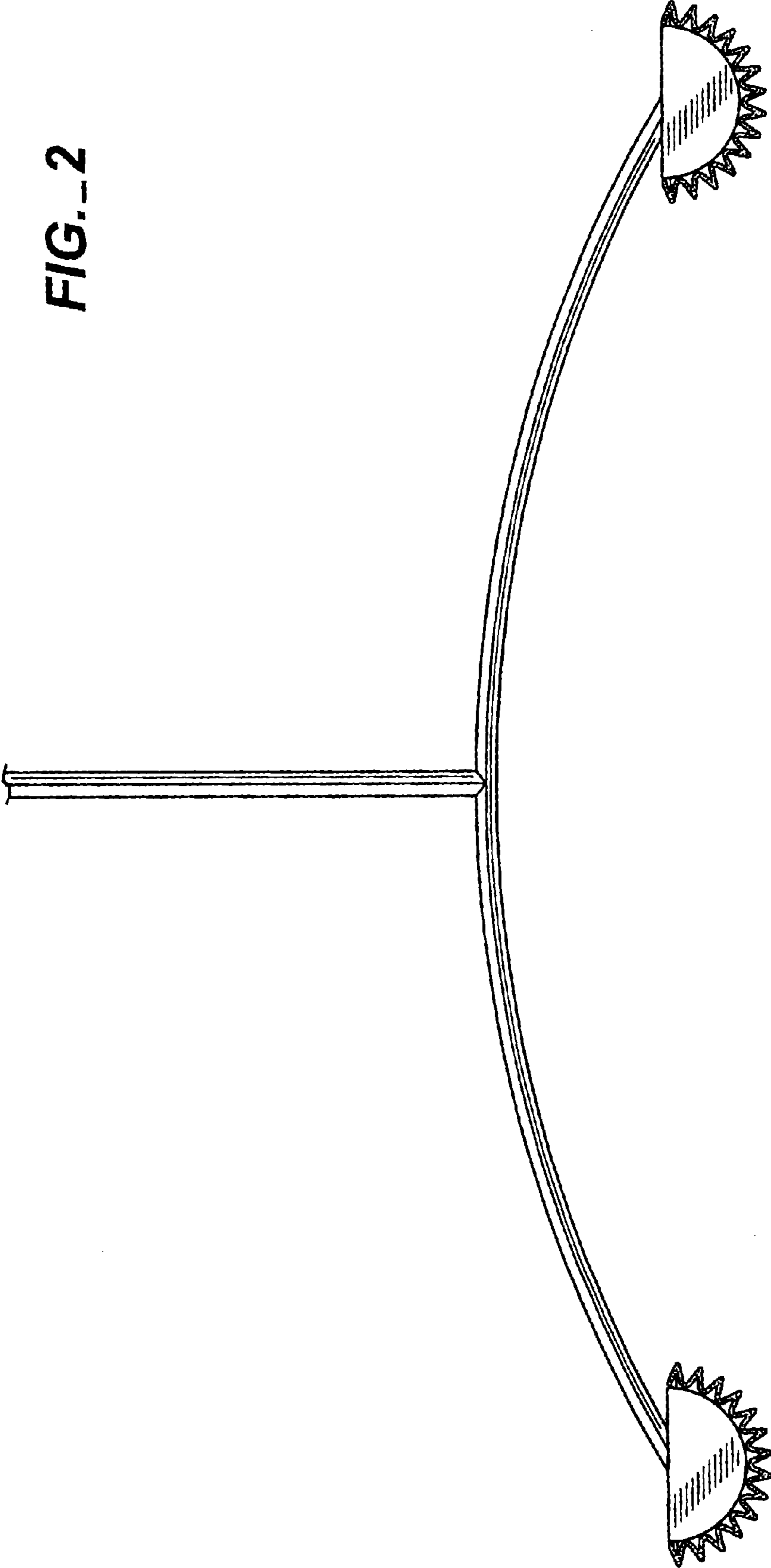
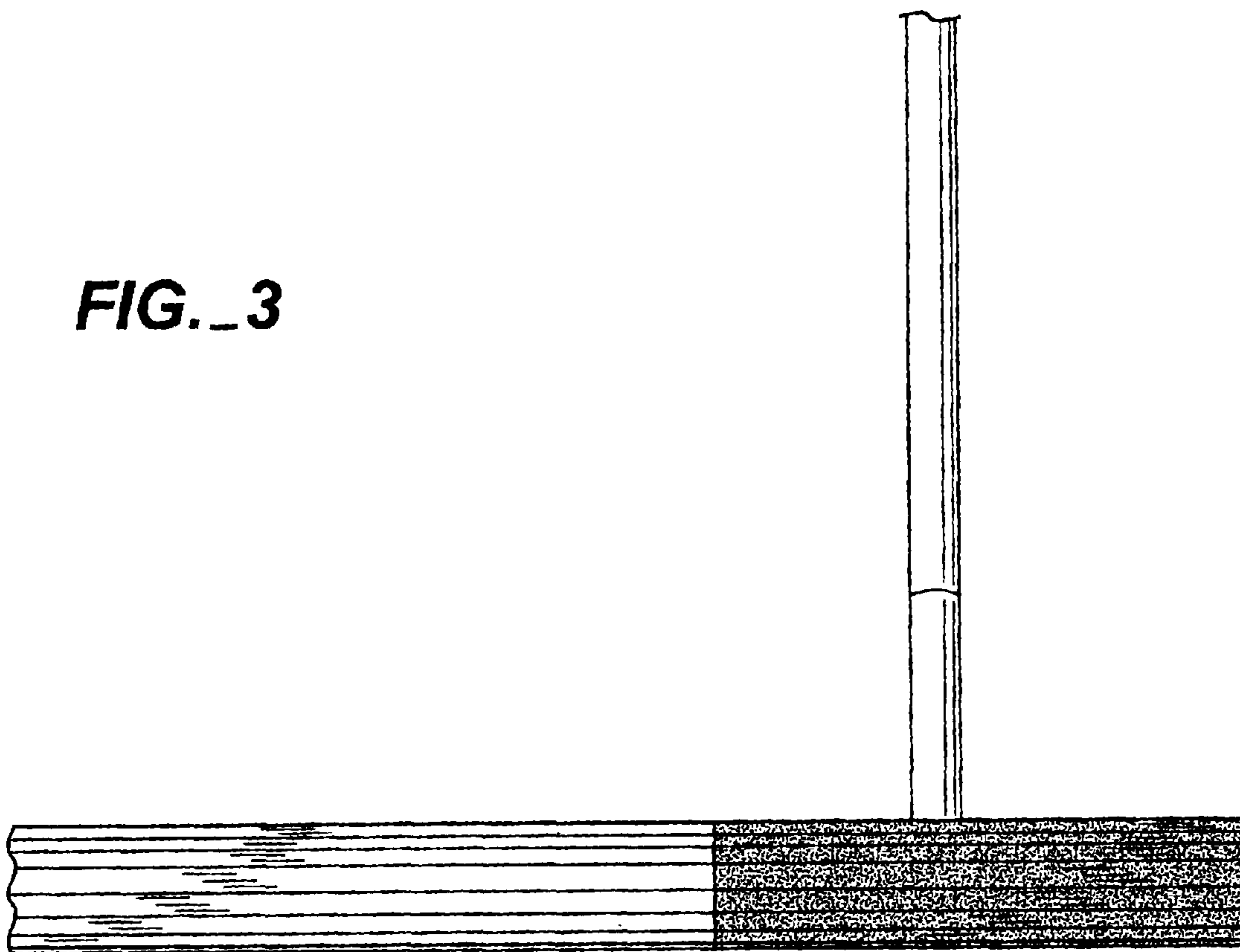


FIG.-1

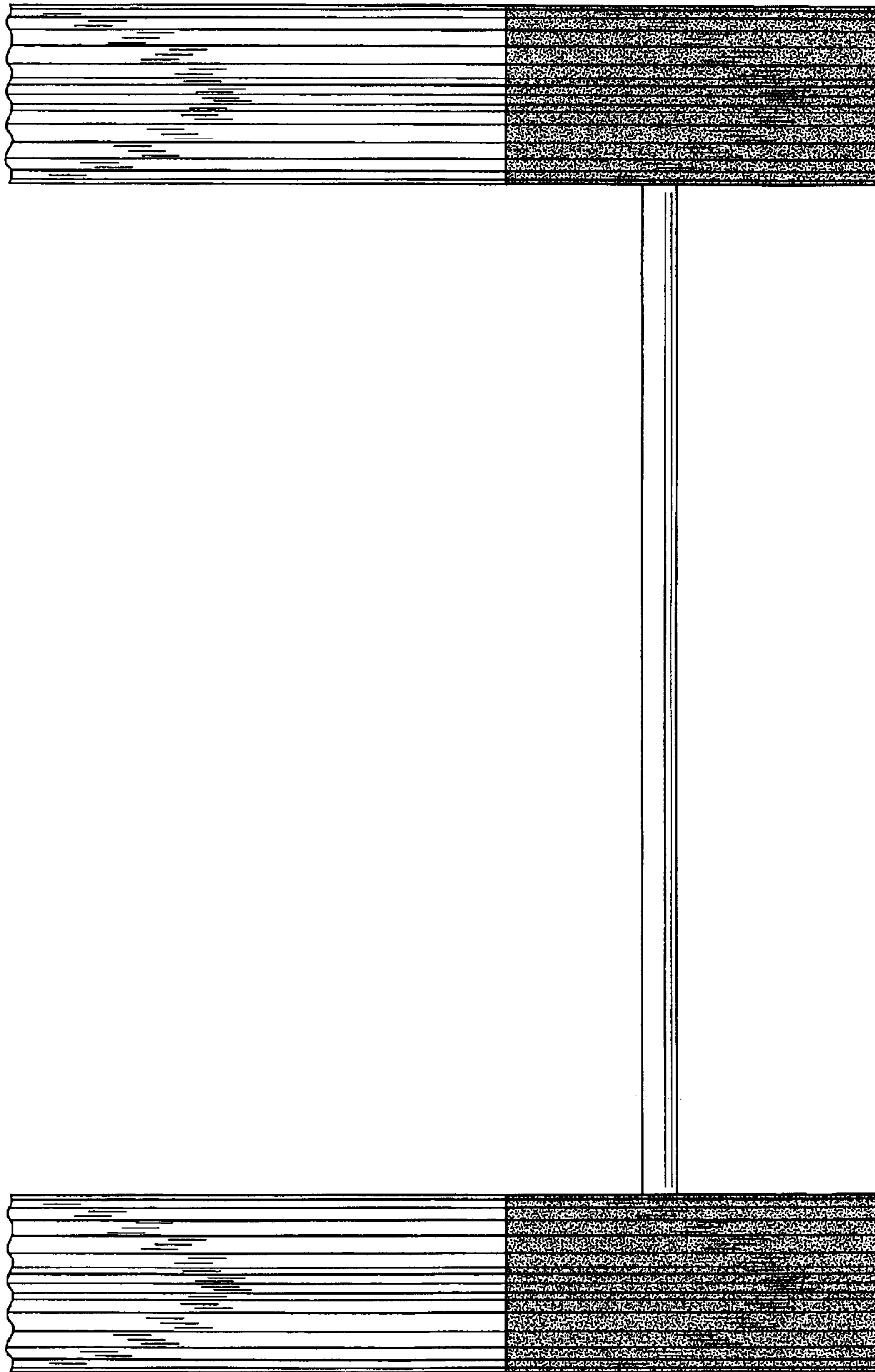
FIG. 2



**FIG. 3**



**FIG. 4**



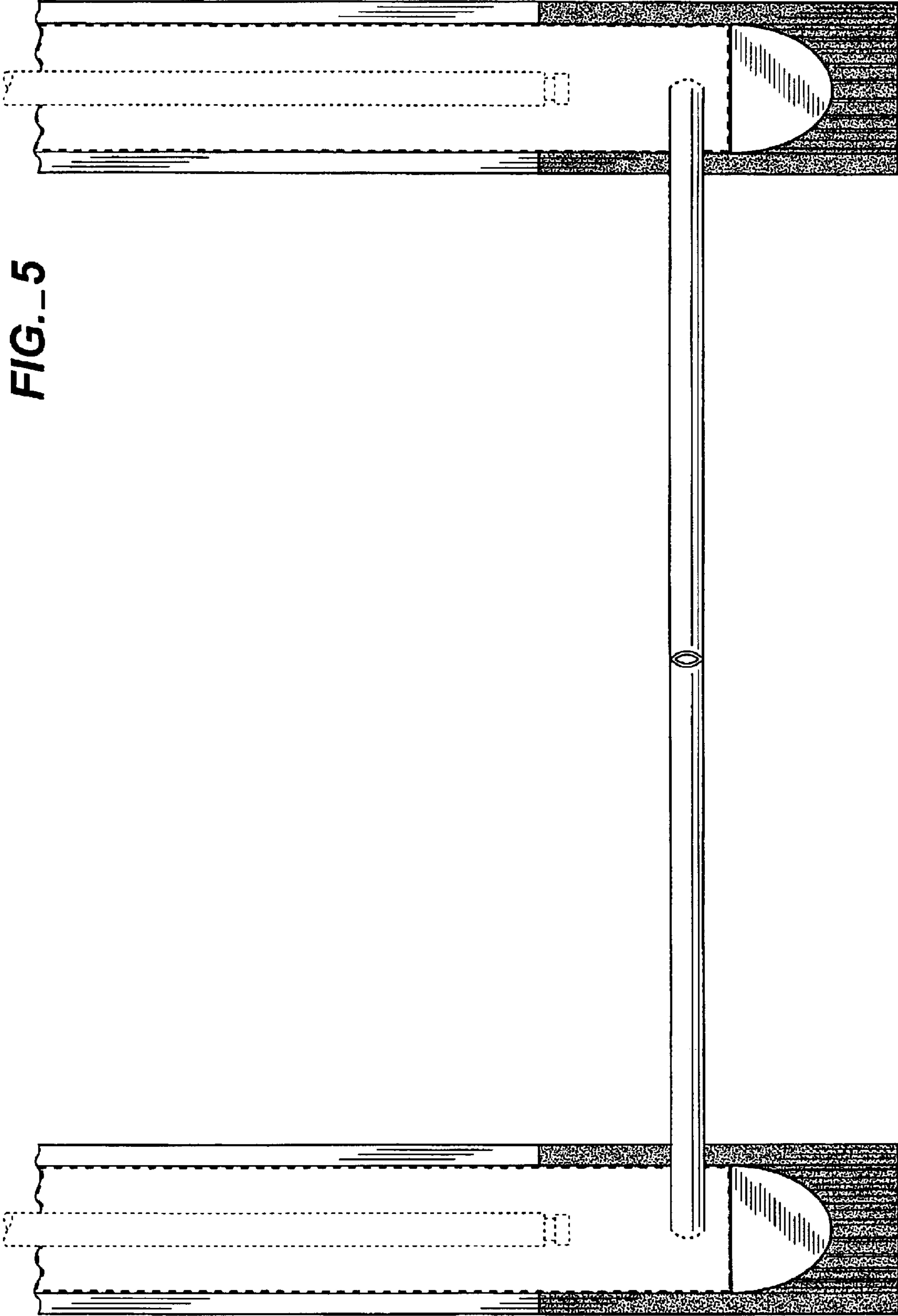


FIG. 5

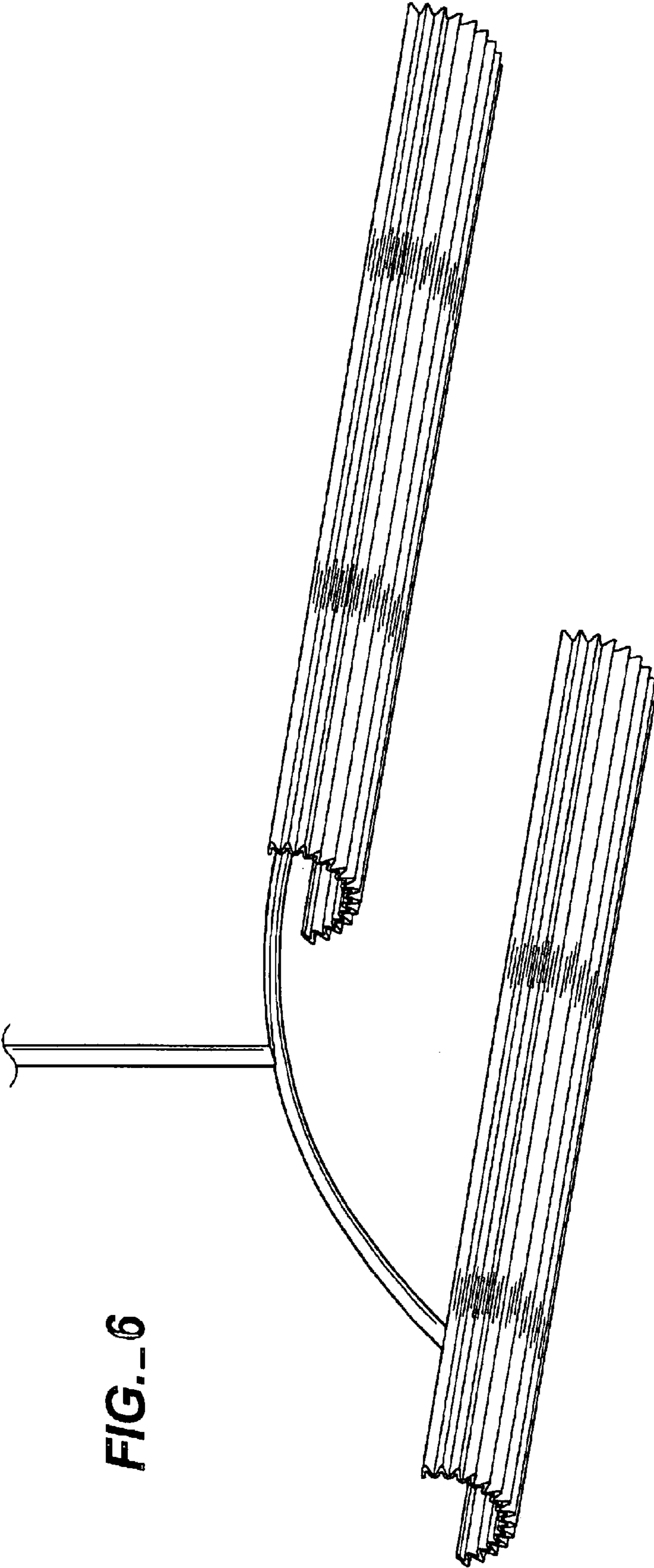
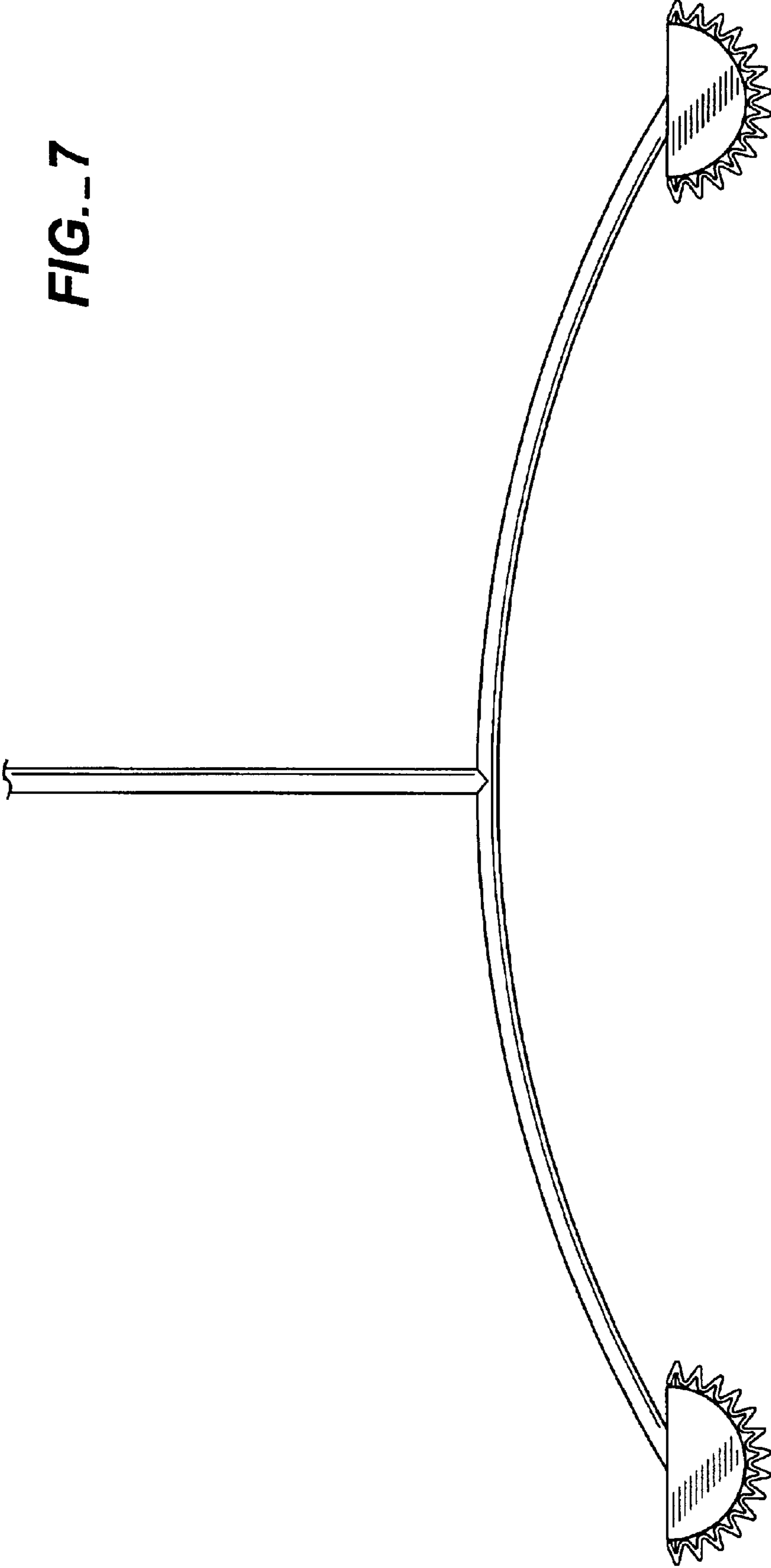


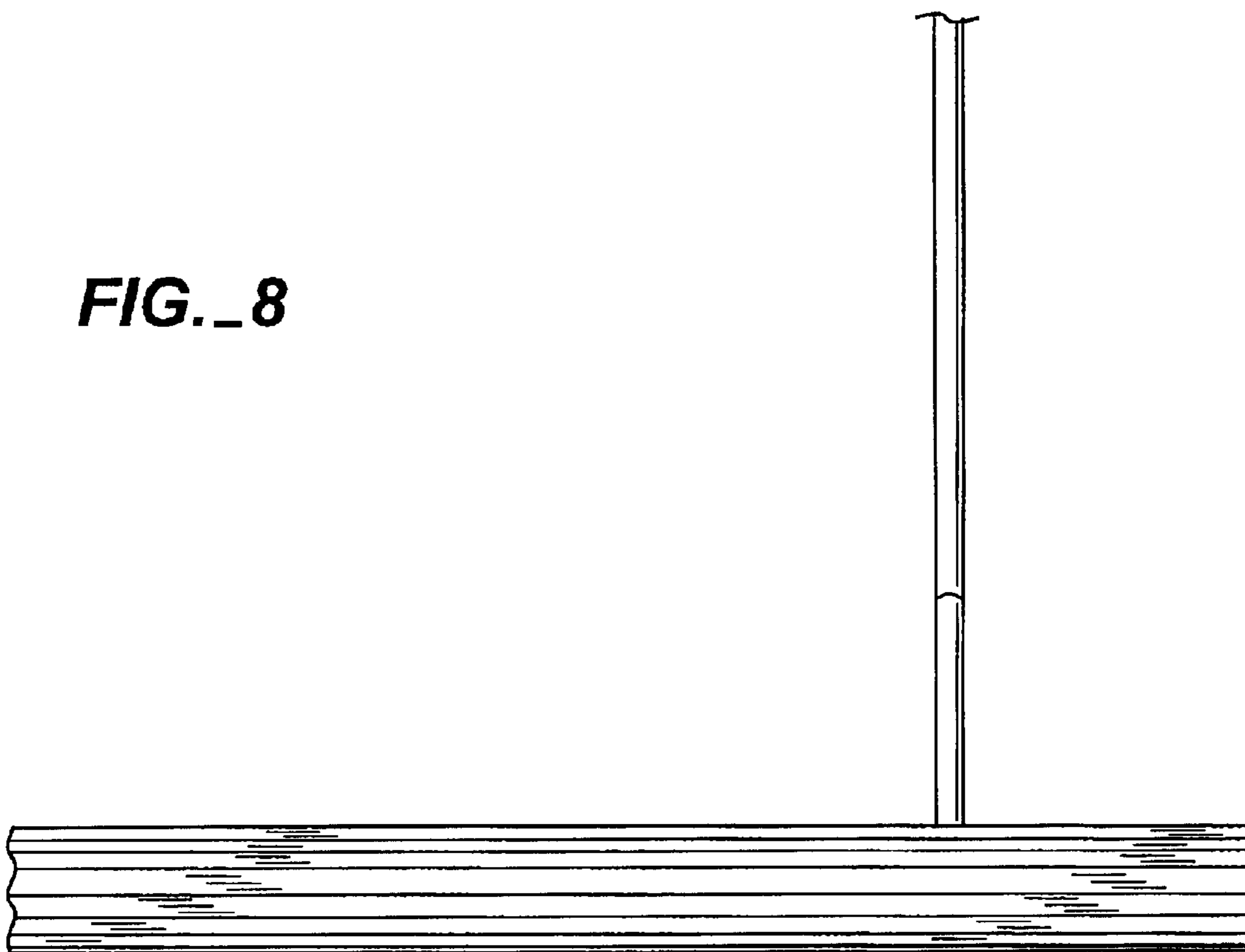
FIG. 6

FIG. 7

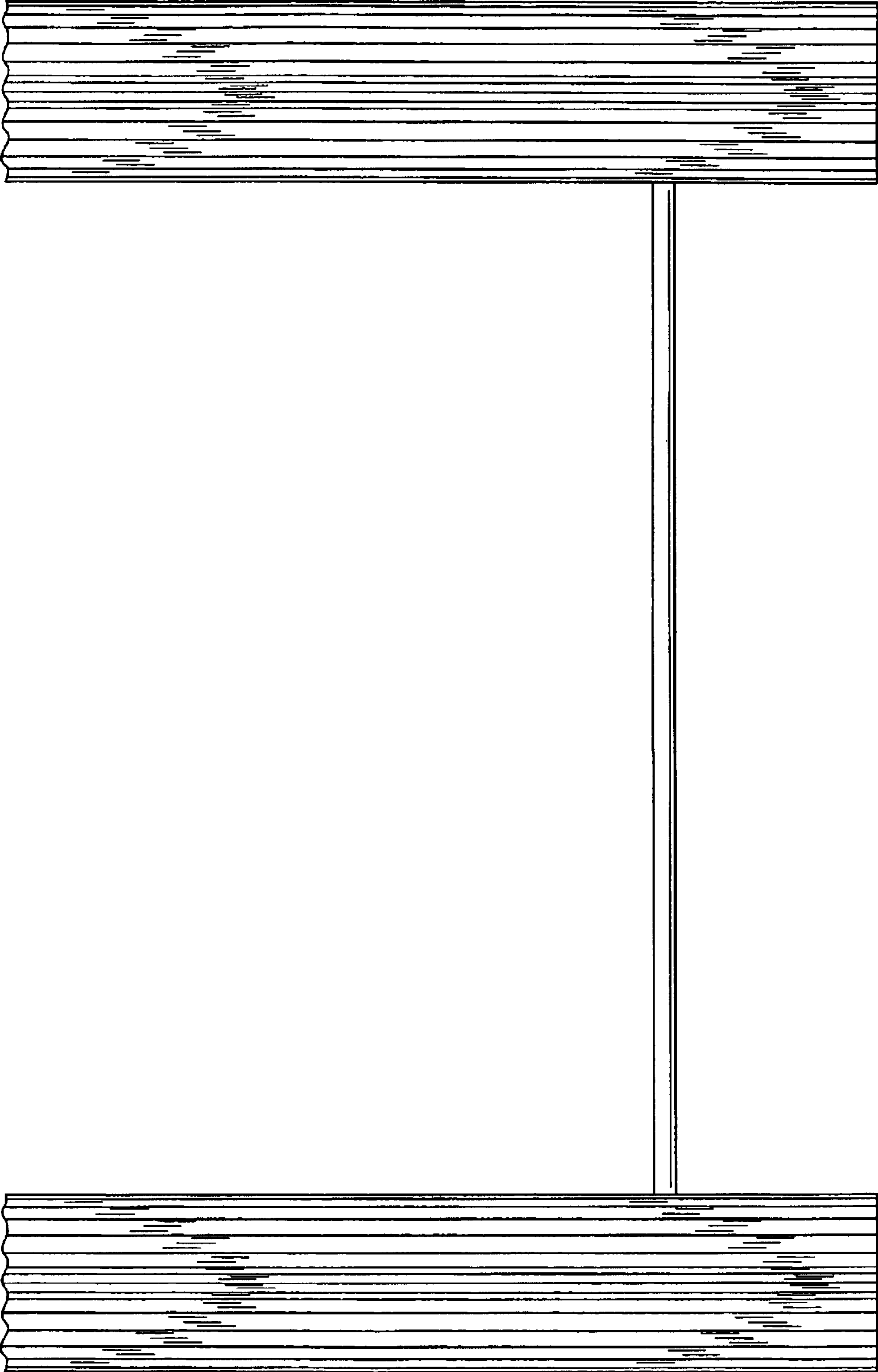




**FIG. 8**



**FIG. 9**



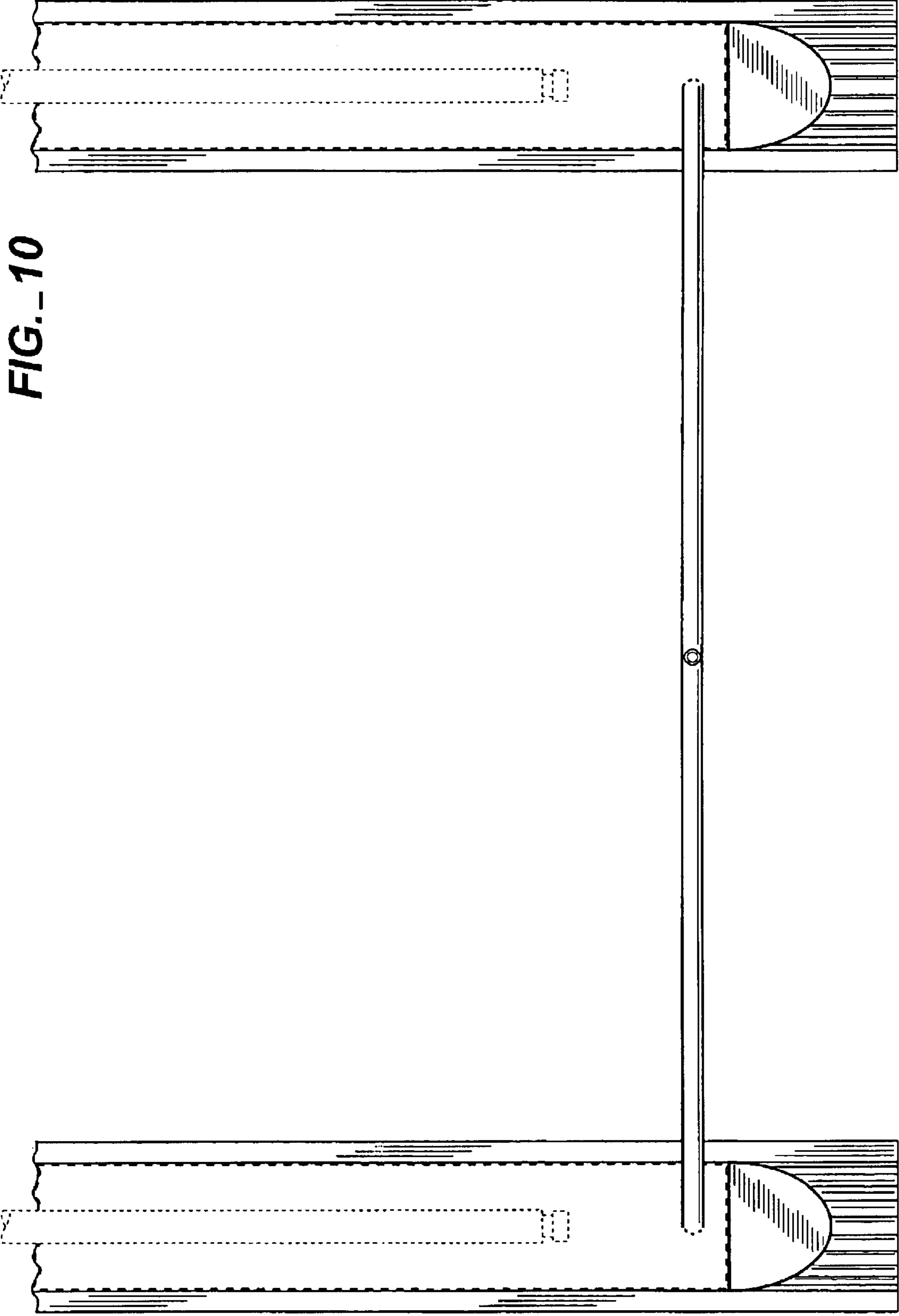


FIG. 10