



US00D498014S1

(12) **United States Design Patent**  
**Cormier et al.**

(10) **Patent No.: US D498,014 S**

(45) **Date of Patent: \*\* Nov. 2, 2004**

(54) **FLASHLIGHT**

D475,149 S \* 5/2003 Chun ..... D26/37  
D491,300 S \* 6/2004 Cormier et al. .... D26/37

(75) Inventors: **James Michael Cormier**, Wichita, KS (US); **Keith Vincent Skidmore**, Wichita, KS (US); **Benson Chung-Pun Leung**, Kwai Chung (HK); **Ambrose Shing-Yin Leung**, Kwai Chung (HK)

\* cited by examiner

*Primary Examiner*—Marcus A. Jackson

(73) Assignee: **The Coleman Company, Inc.**, Wichita, KS (US)

(57) **CLAIM**

The ornamental design for a flashlight, as shown and described.

(\*\*) Term: **14 Years**

**DESCRIPTION**

(21) Appl. No.: **29/188,309**

FIG. 1 is a top, front perspective view of the flashlight of the present invention showing the new design; FIG. 2 is a bottom rear perspective view thereof; FIG. 3 is a front elevational view thereof; FIG. 4 is a rear elevational view thereof; and FIG. 5 is a side elevational view thereof, the opposite side being a mirror image; FIG. 6 is a top plan view thereof; FIG. 7 is a bottom view thereof; and, FIG. 8 is a top, front perspective view, showing a recharging base in broken lines illustrating environmental structure. The broken line showings are for illustrative purposes only and form no part of the claimed design.

(22) Filed: **Aug. 15, 2003**

(51) **LOC (7) Cl.** ..... **26-02**

(52) **U.S. Cl.** ..... **D26/37**

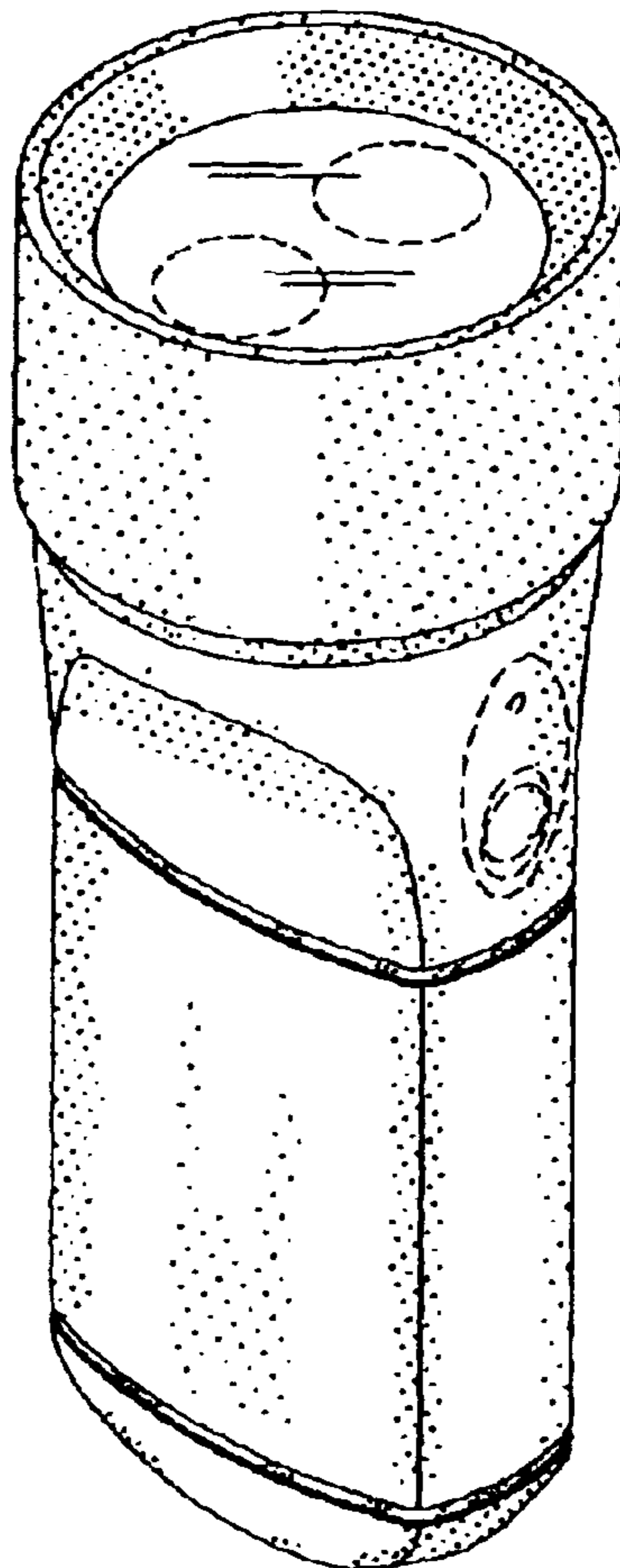
(58) **Field of Search** ..... D26/37-50; 362/157, 362/158, 171-174, 183-208

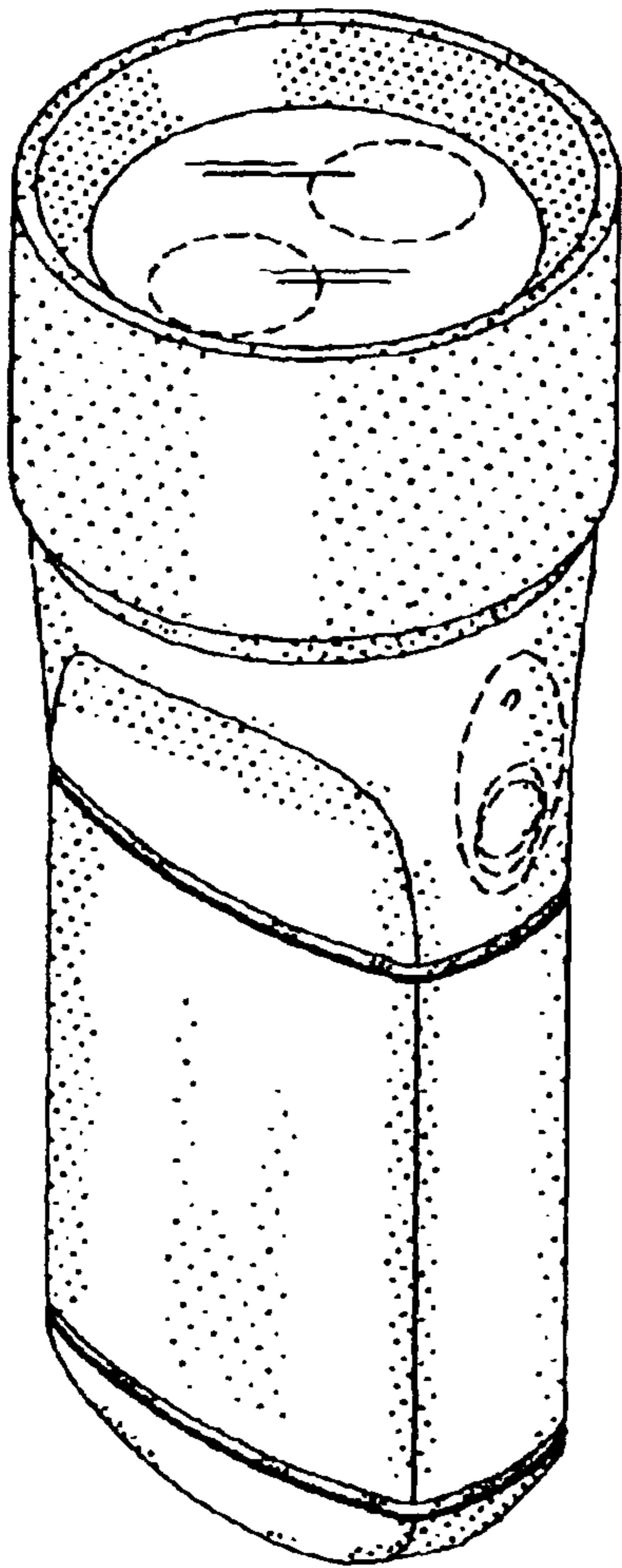
(56) **References Cited**

**U.S. PATENT DOCUMENTS**

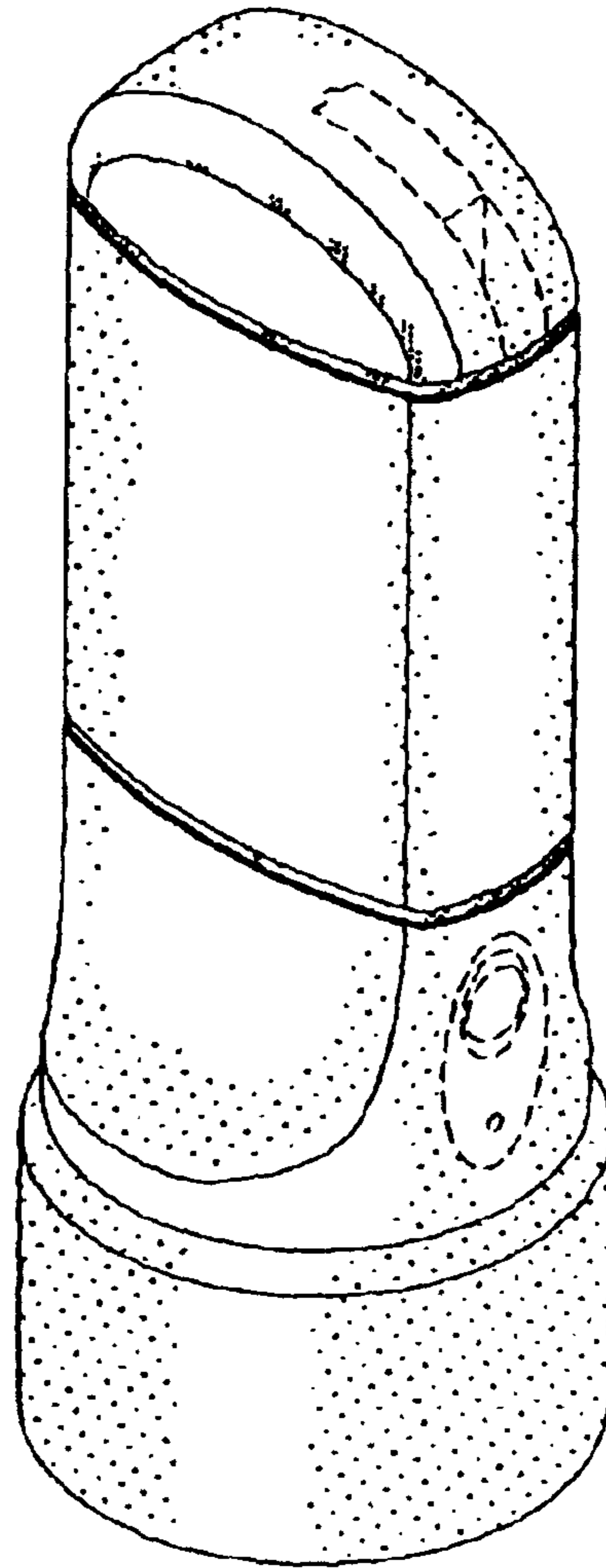
D431,308 S \* 9/2000 Lynch et al. .... D26/37  
D434,512 S \* 11/2000 Yuen ..... D26/37

**1 Claim, 3 Drawing Sheets**





*FIG. 1*



*FIG. 2*

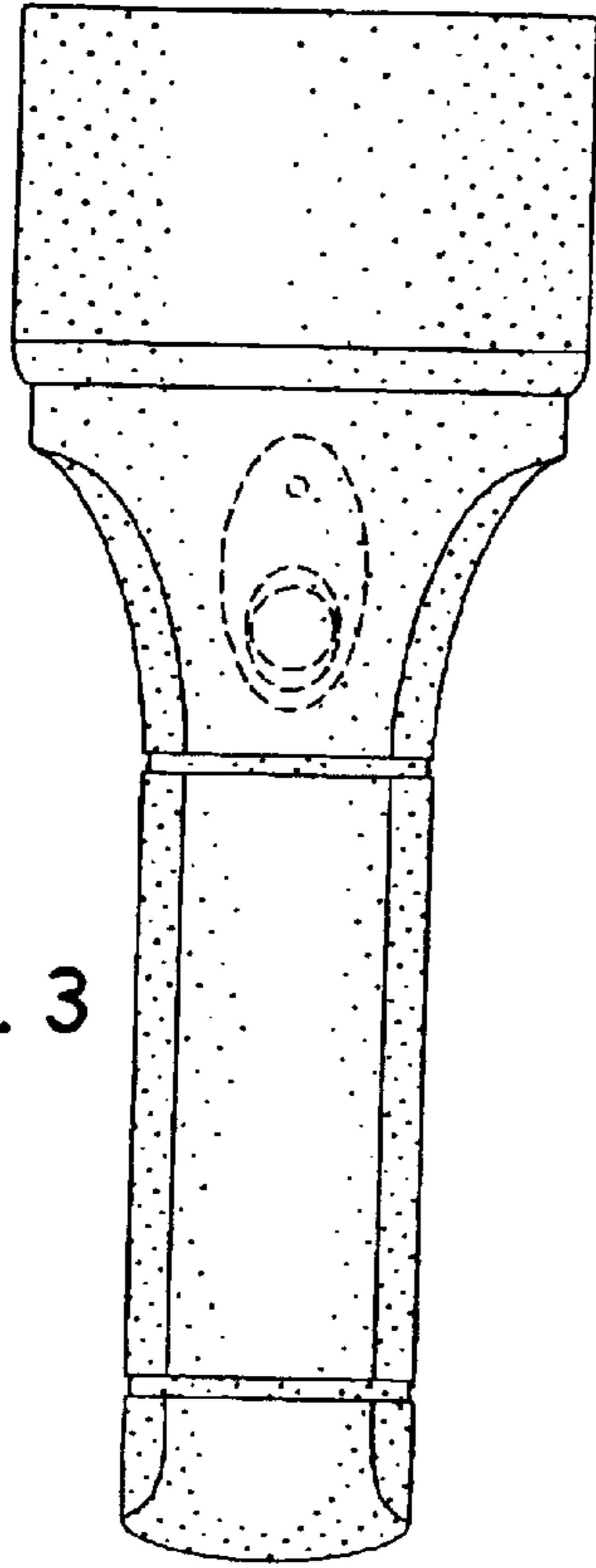


FIG. 3

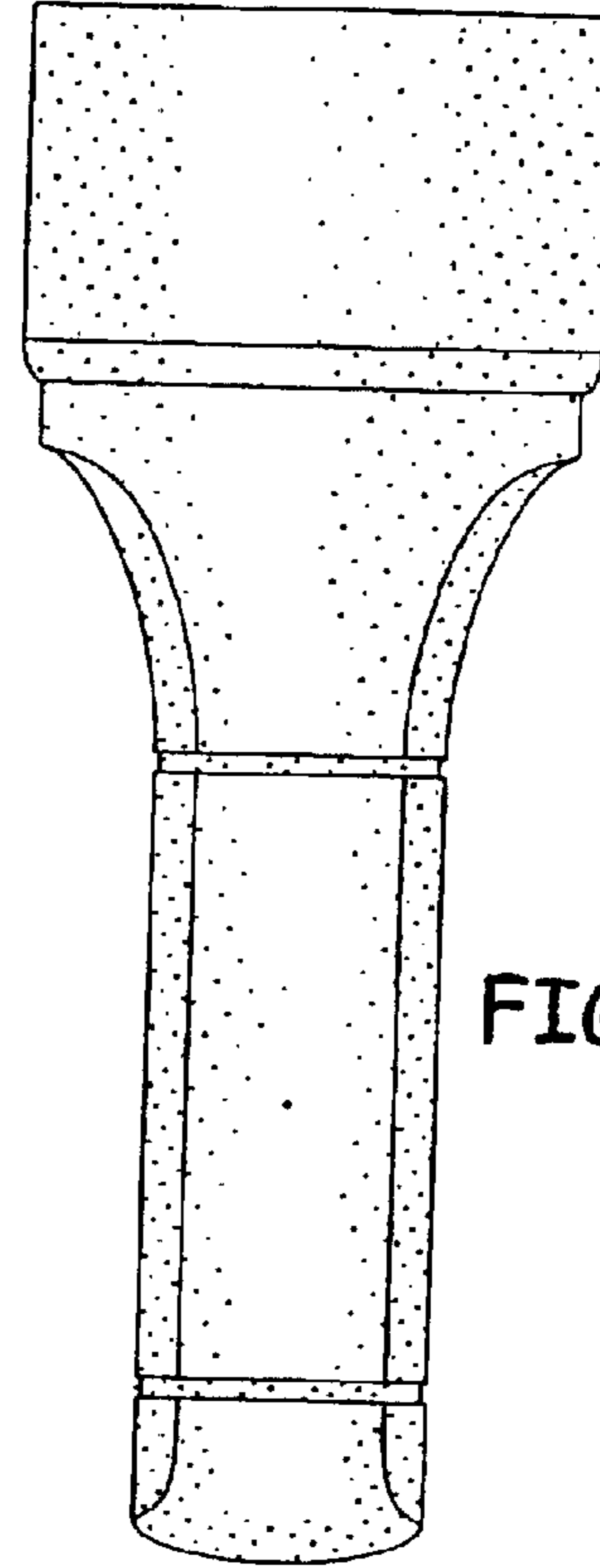


FIG. 4

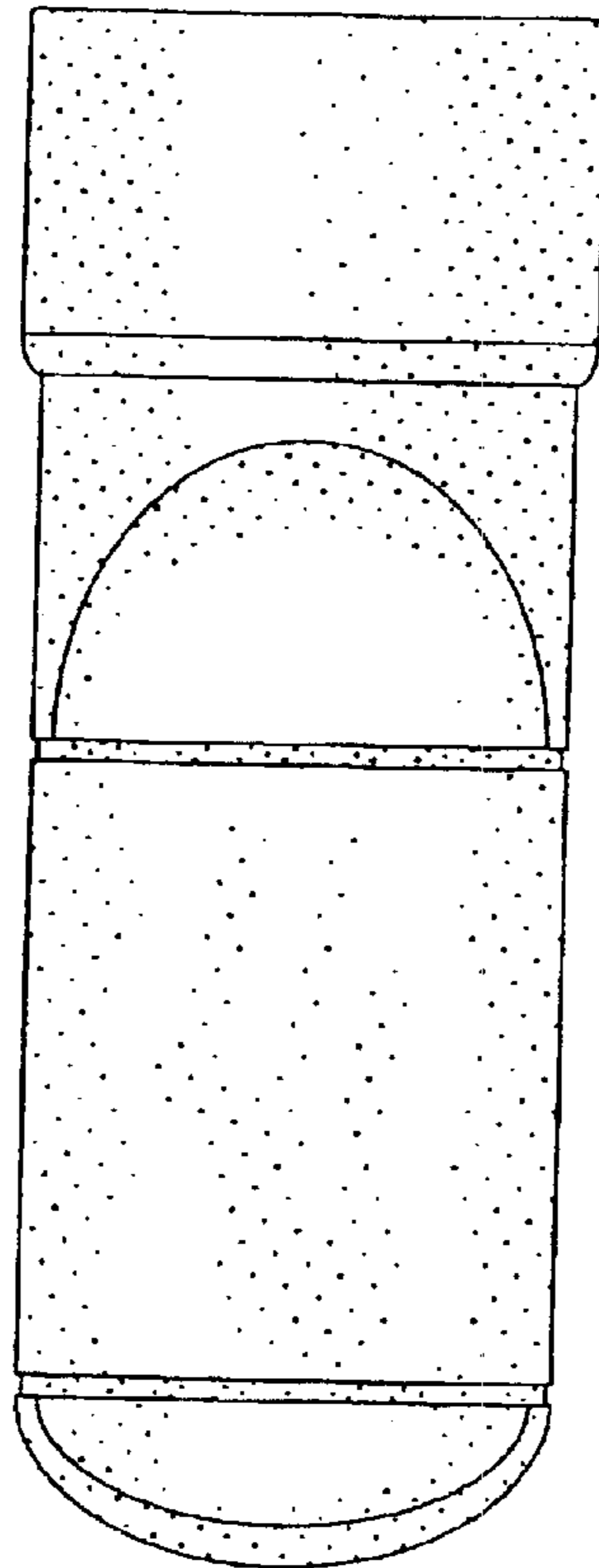
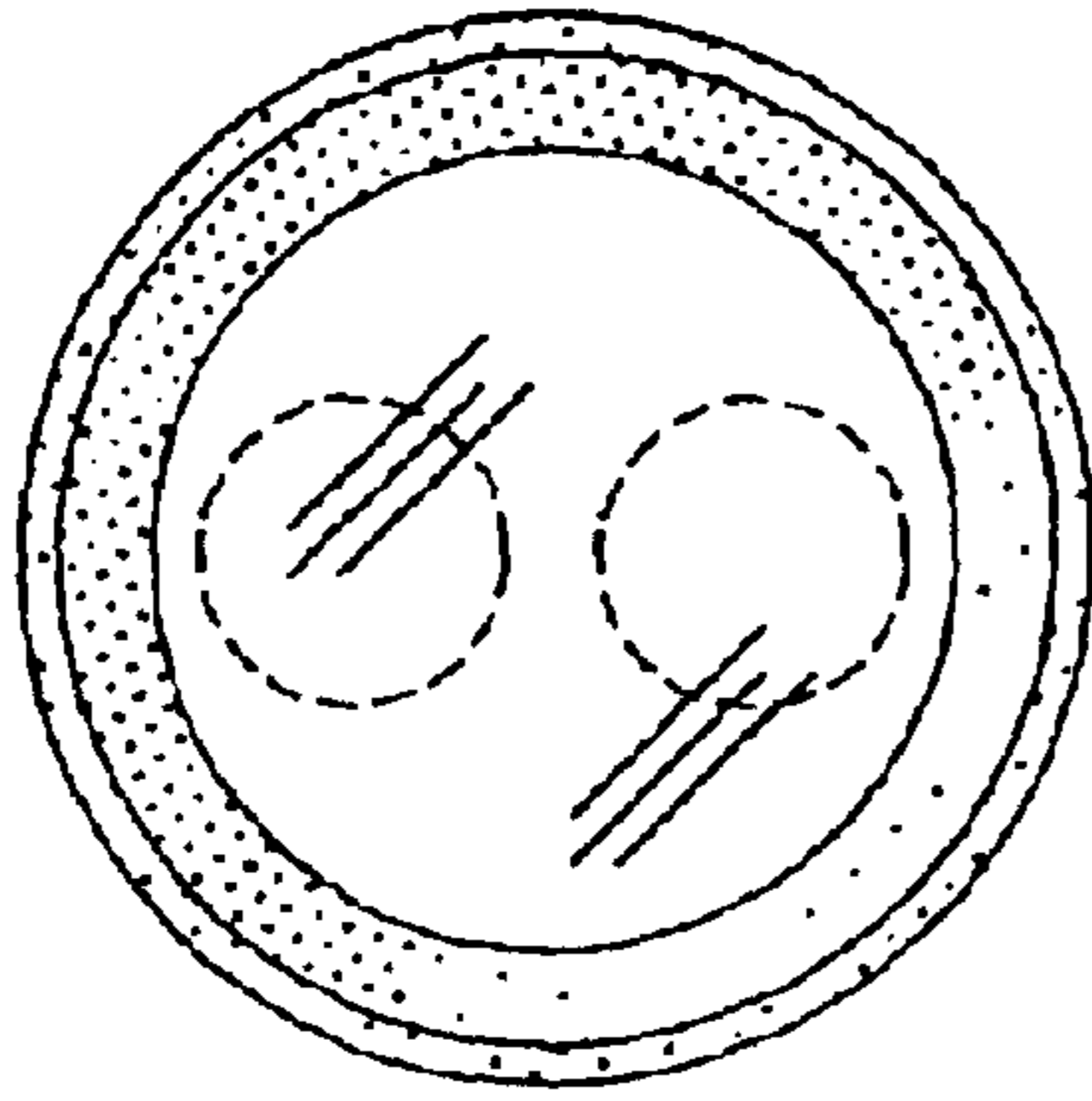
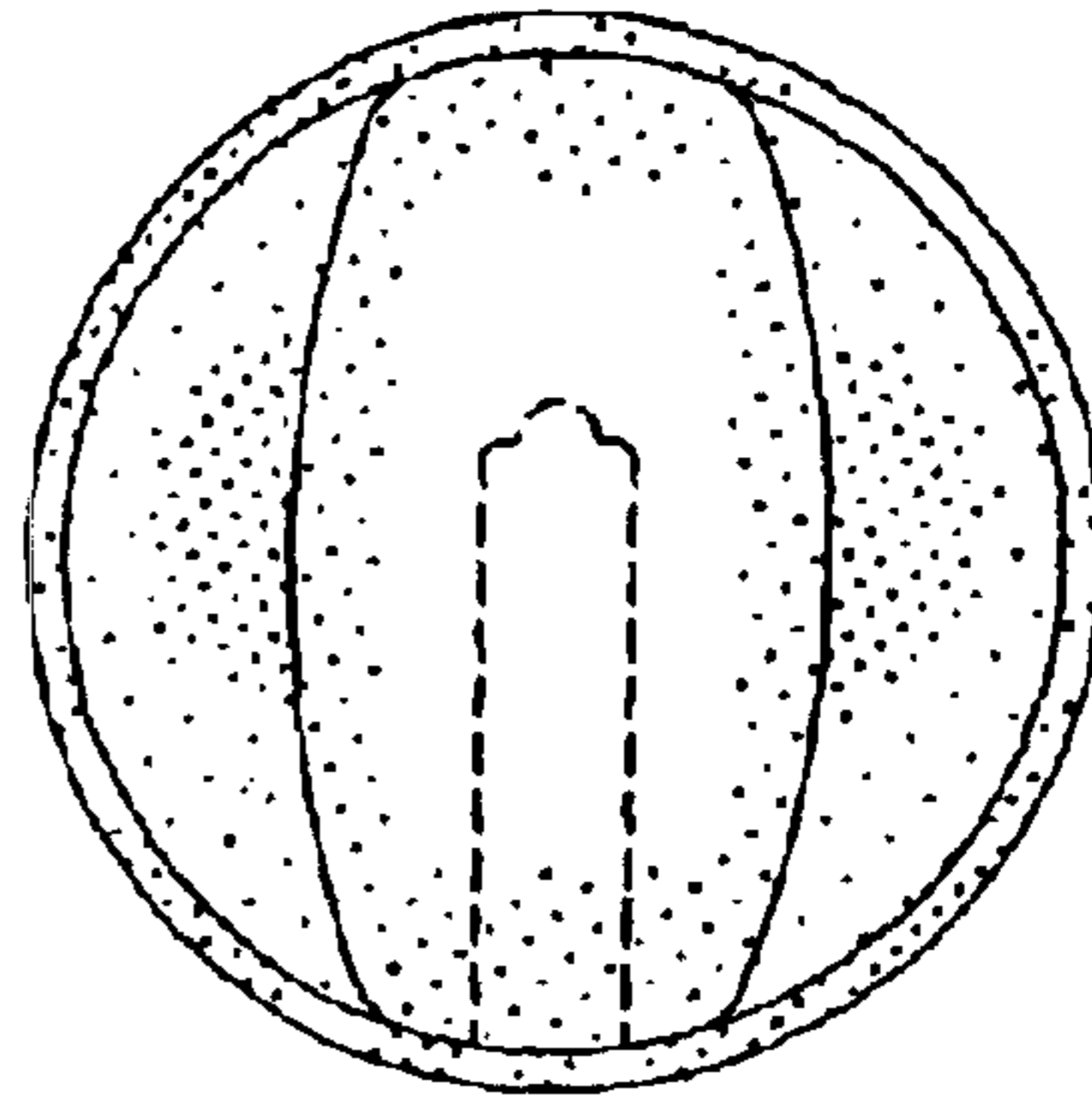


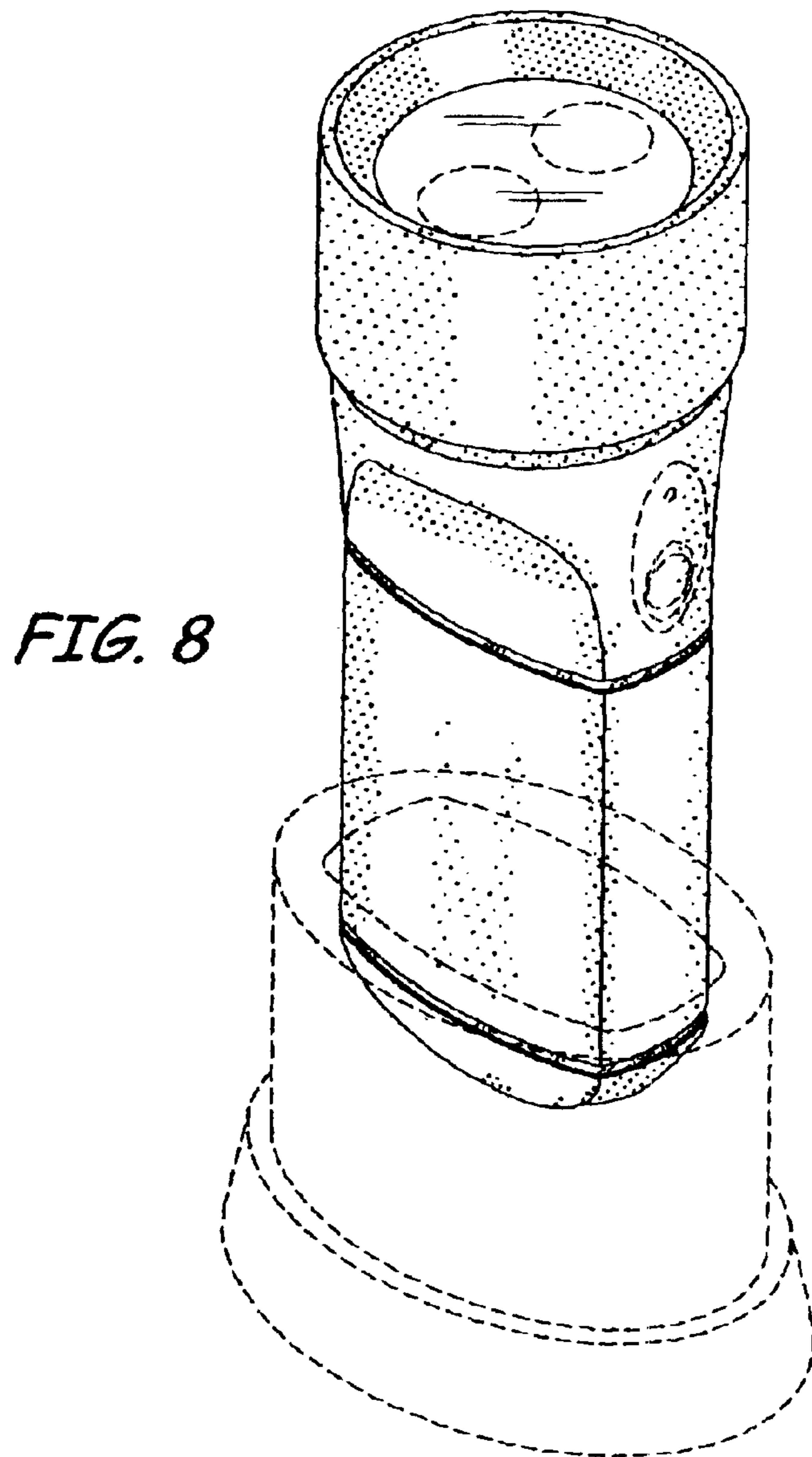
FIG. 5



*FIG. 6*



*FIG. 7*



*FIG. 8*