

US00D498004S1

(12) **United States Design Patent**  
**Smith**

(10) **Patent No.:** **US D498,004 S**

(45) **Date of Patent:** **\*\* Nov. 2, 2004**

(54) **EDGING EXTRUSION**

D306,491 S \* 3/1990 Hallengren ..... D25/124

(75) **Inventor:** **Allan Smith**, Victor Harbor (AU)

\* cited by examiner

(73) **Assignee:** **Invacare Australia Pty. Ltd.**, Seven Hills (AU)

*Primary Examiner*—Doris Clark  
(74) *Attorney, Agent, or Firm*—Cook, Alex, McFarron, Manzo, Cummings & Mehler, Ltd.

(\*\*) **Term:** **14 Years**

(57) **CLAIM**

(21) **Appl. No.:** **29/198,909**

The ornamental design for an edging extrusion, as shown and described.

(22) **Filed:** **Feb. 6, 2004**

(30) **Foreign Application Priority Data**

Aug. 13, 2003 (AU) ..... 2739/2003

(51) **LOC (7) Cl.** ..... **25-01**

(52) **U.S. Cl.** ..... **D25/125**

(58) **Field of Search** ..... D25/125; 52/716.1, 52/718.01, 718.04

**DESCRIPTION**

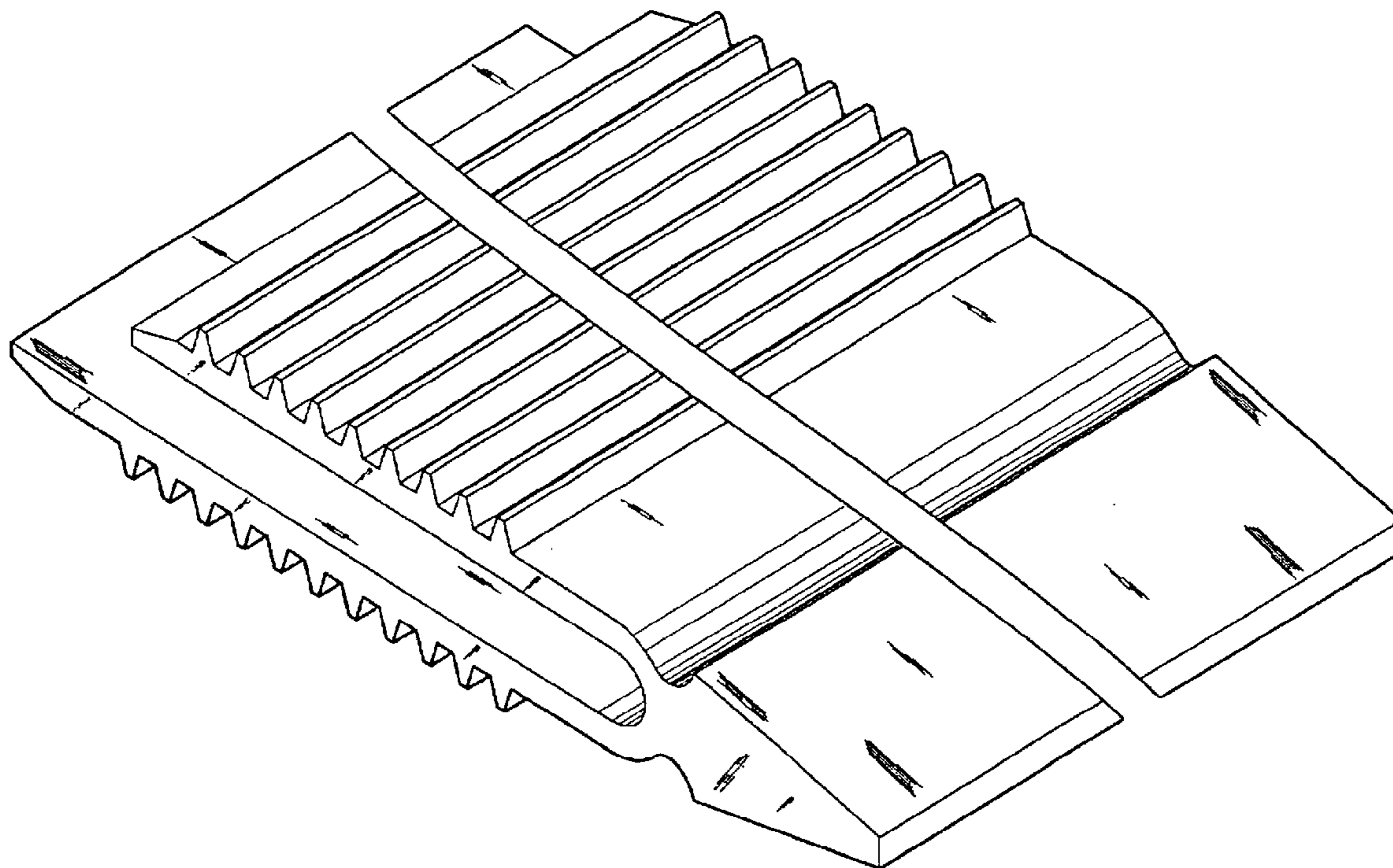
FIG. 1 is a perspective view of the edging extrusion of my invention with the extrusion divided by break lines; FIG. 2 is a right hand side view, the left side view being the reverse of the view shown; FIG. 3 is a front view of the edging extrusion of FIG. 1 with the extrusion divided by break lines; and, FIG. 4 is a top plan view of the edging extrusion of FIG. 1 with the extrusion divided by break lines. The break lines indicate indefinite length.

(56) **References Cited**

**U.S. PATENT DOCUMENTS**

4,775,570 A \* 10/1988 Ohlenforst et al. .... 428/83

**1 Claim, 2 Drawing Sheets**



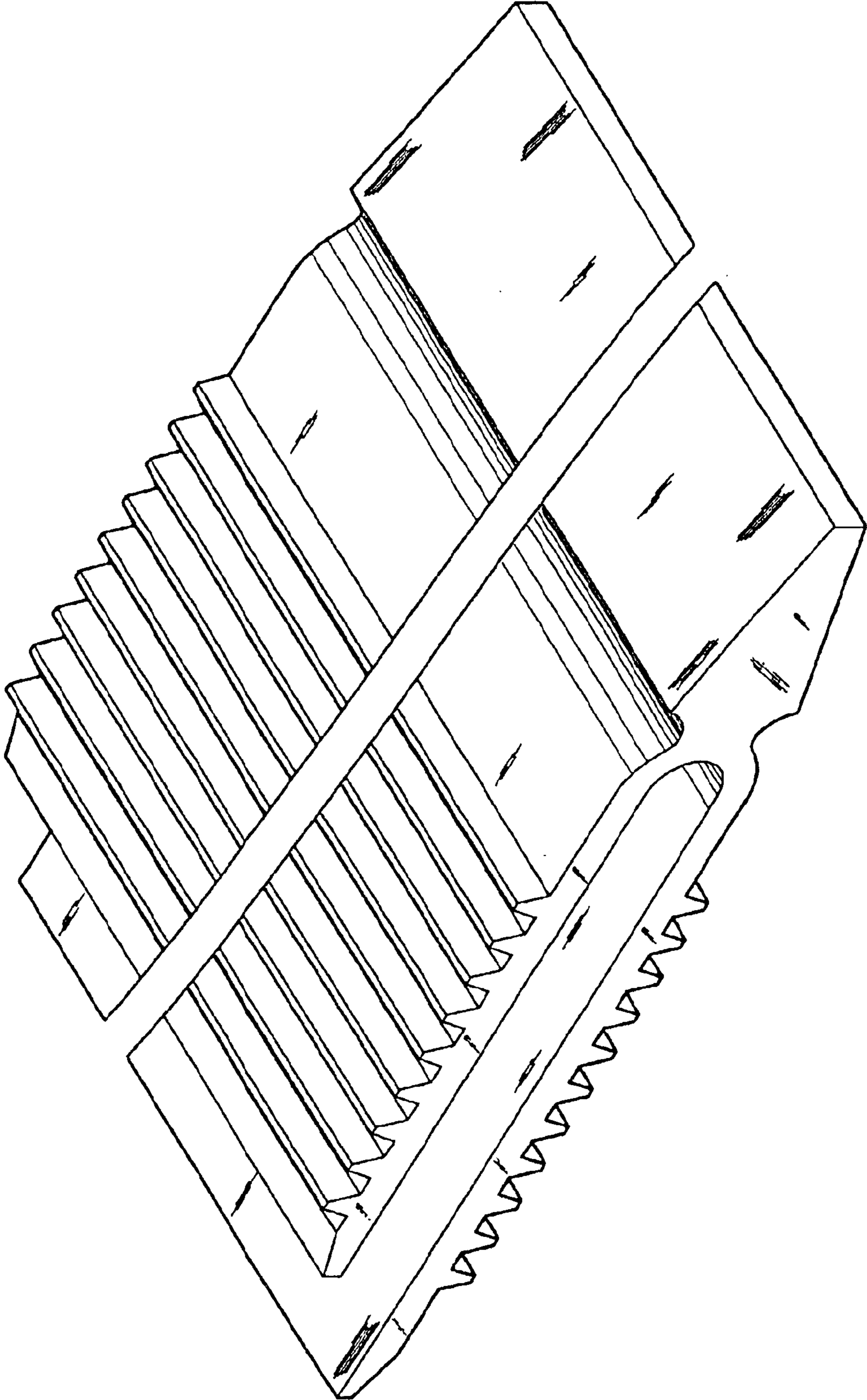


Fig 1

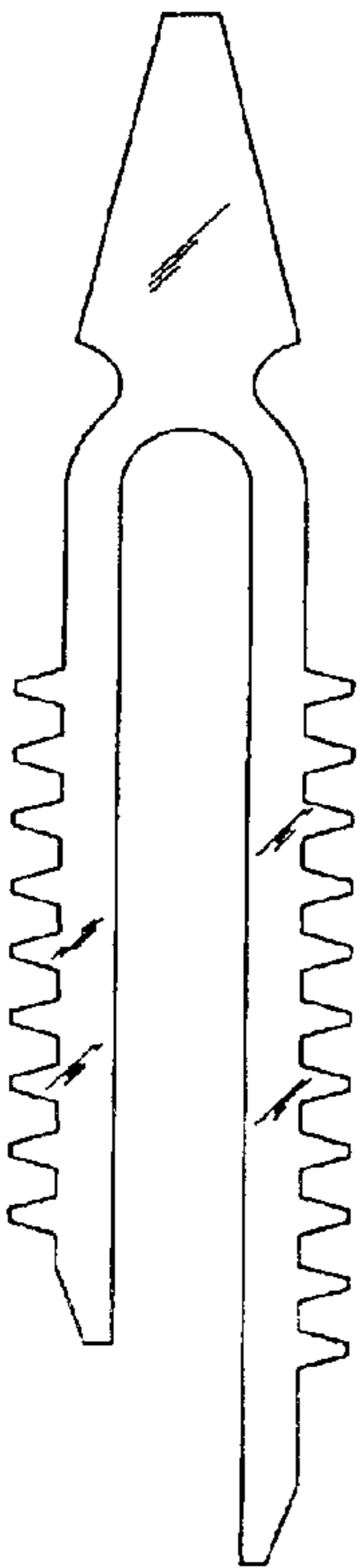


Fig 2

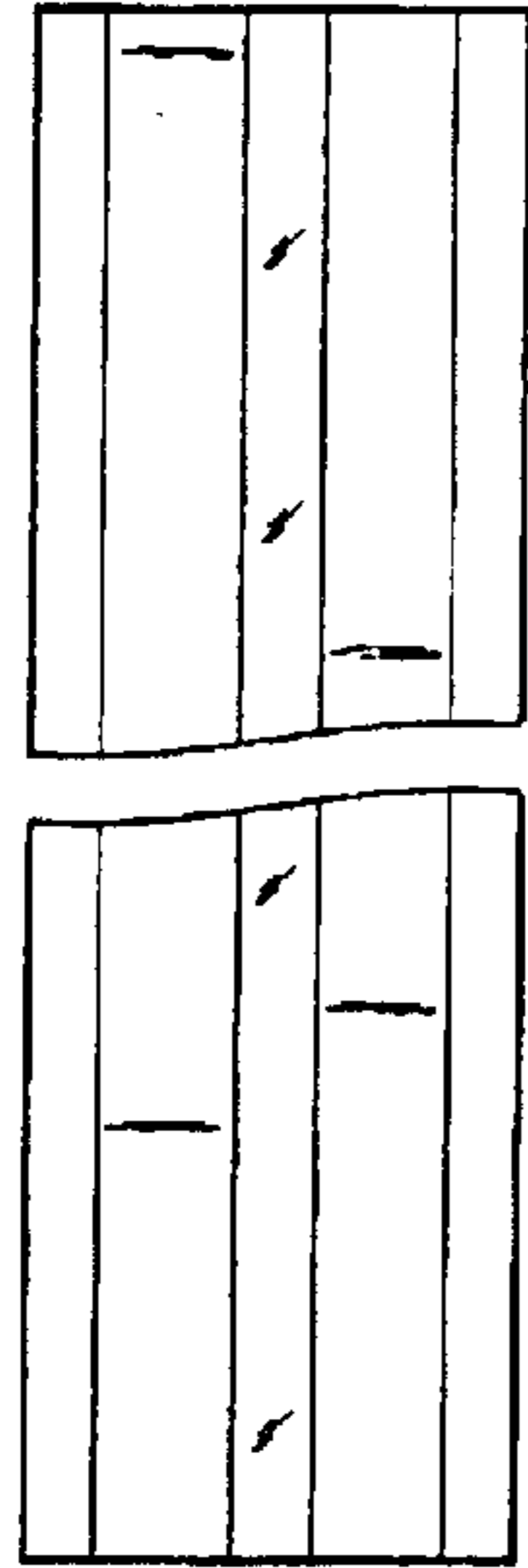


Fig 3

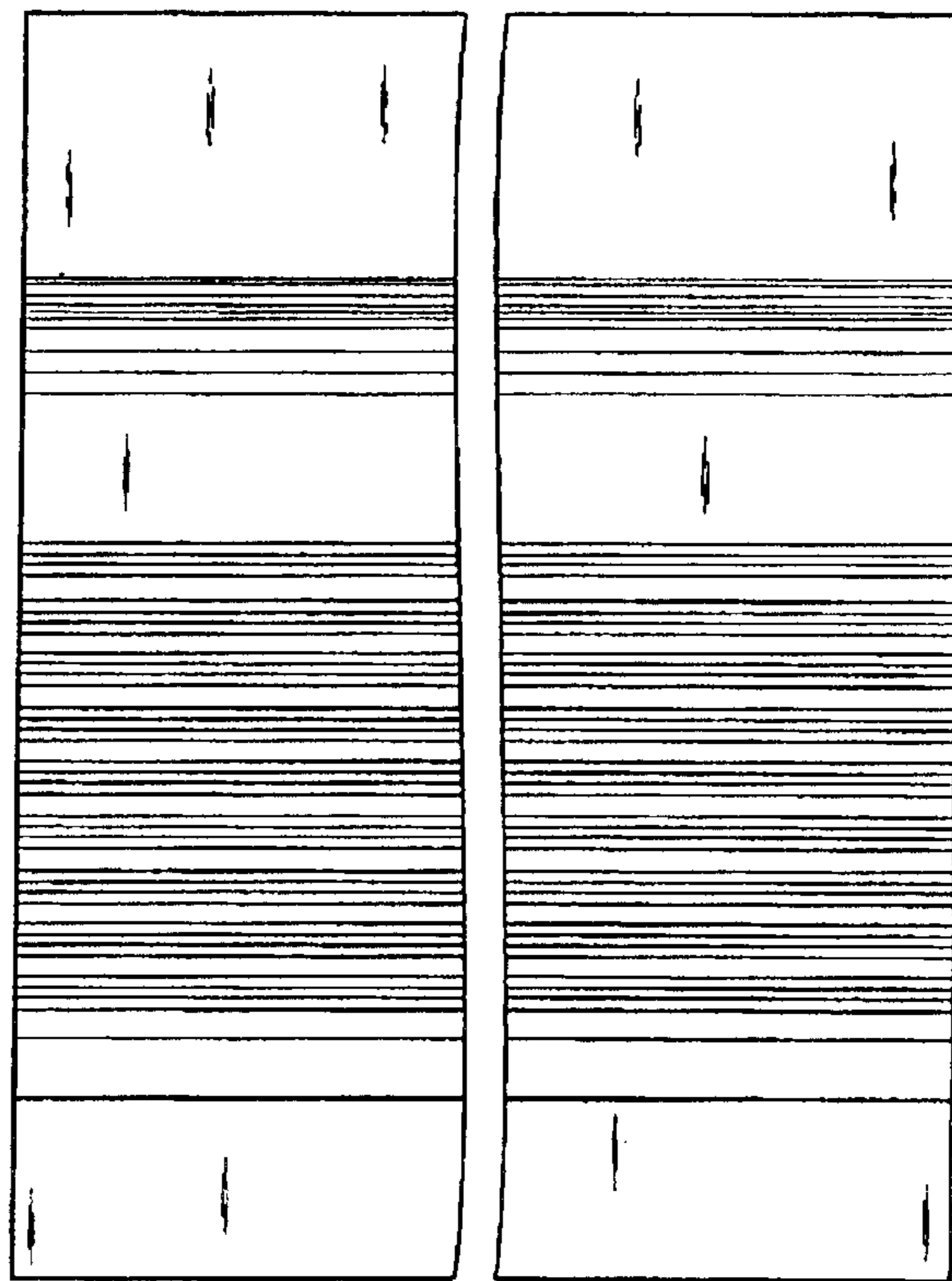


Fig 4