

US00D498003S1

(12) **United States Design Patent**
Brabeck

(10) **Patent No.:** **US D498,003 S**
(45) **Date of Patent:** **** Nov. 2, 2004**

(54) **SECTION**
(75) **Inventor:** **Steven John Brabeck**, Loganholme (AU)
(73) **Assignee:** **Crimsafe Security Systems Pty Ltd.**, Loganholme (AU)
(**) **Term:** **14 Years**
(21) **Appl. No.:** **29/193,814**
(22) **Filed:** **Nov. 14, 2003**
(51) **LOC (7) Cl.** **25-01**
(52) **U.S. Cl.** **D25/125; D25/119**
(58) **Field of Search** **D25/125, 119;**
160/371, 377, 380, 381, 383, 390, 395,
399, 402

AU	133299	3/1998
AU	133300	3/1998
AU	135587	3/1998
AU	135588	3/1998
AU	134476	7/1998
AU	136073	12/1998
AU	137468	7/1999
AU	140415	4/2000
AU	143755	5/2001
AU	144426	7/2001
AU	144427	7/2001
AU	144428	7/2001
AU	146638	1/2002
JP	3091658	2/2003

* cited by examiner

Primary Examiner—Doris Clark
(74) *Attorney, Agent, or Firm*—Workman Nydegger

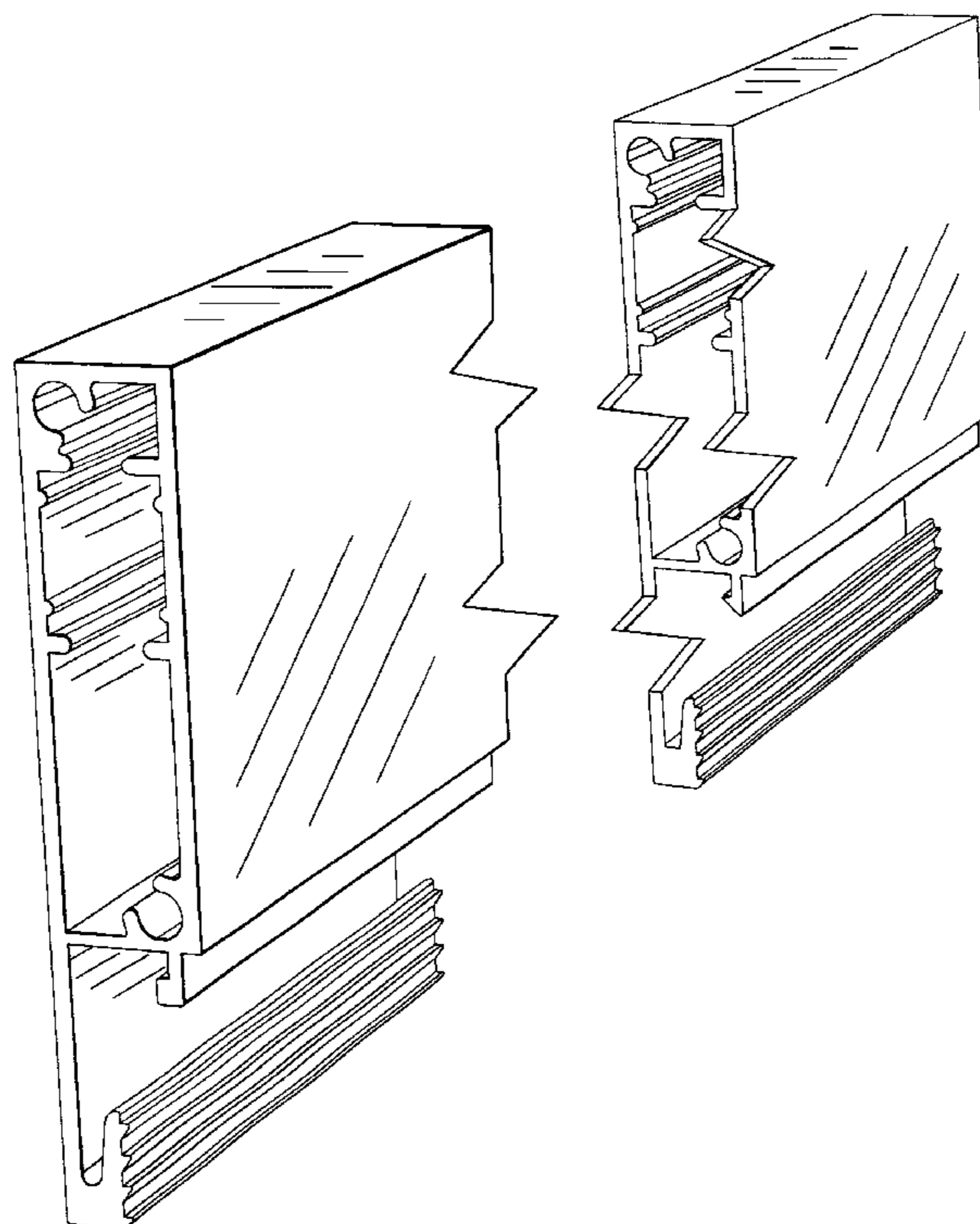
(56) **References Cited**
U.S. PATENT DOCUMENTS
4,932,457 A * 6/1990 Duncan 160/380
D382,977 S * 8/1997 Gearing D25/119
5,904,200 A * 5/1999 Agen 160/391
6,079,475 A * 6/2000 Morgan et al. 160/371
6,125,910 A 10/2000 Pepperell et al.

FOREIGN PATENT DOCUMENTS
AU B-24001/95 3/1996
AU 134477 2/1998
AU 134559 2/1998

(57) **CLAIM**
The ornamental design of a section, as shown and described.

DESCRIPTION
FIG. 1 is an end view of a section;
FIG. 2 is an inverted perspective view of the section shown in FIG. 1 showing the left side view and bottom view; and, FIG. 3 is a perspective view of the section shown in FIG. 1 showing the right side view and the top view.
The end view not shown is a mirror image of the end shown in FIG. 1 and the section is of indefinite length.

1 Claim, 1 Drawing Sheet



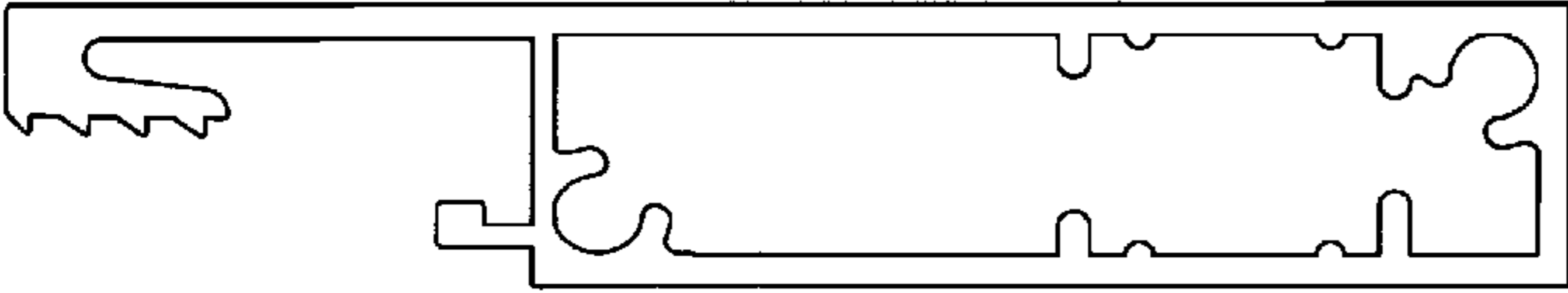


Fig. 1

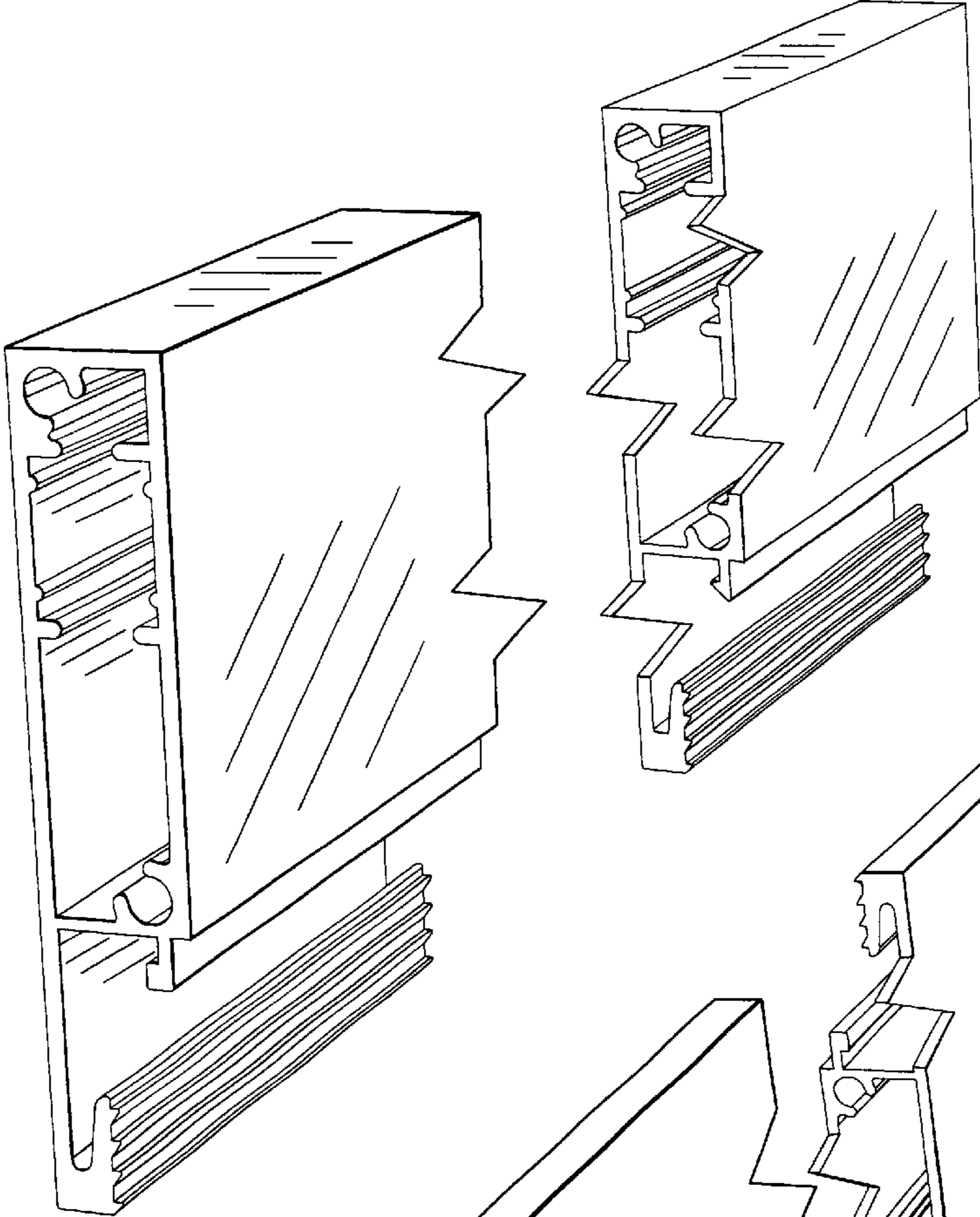


Fig. 2

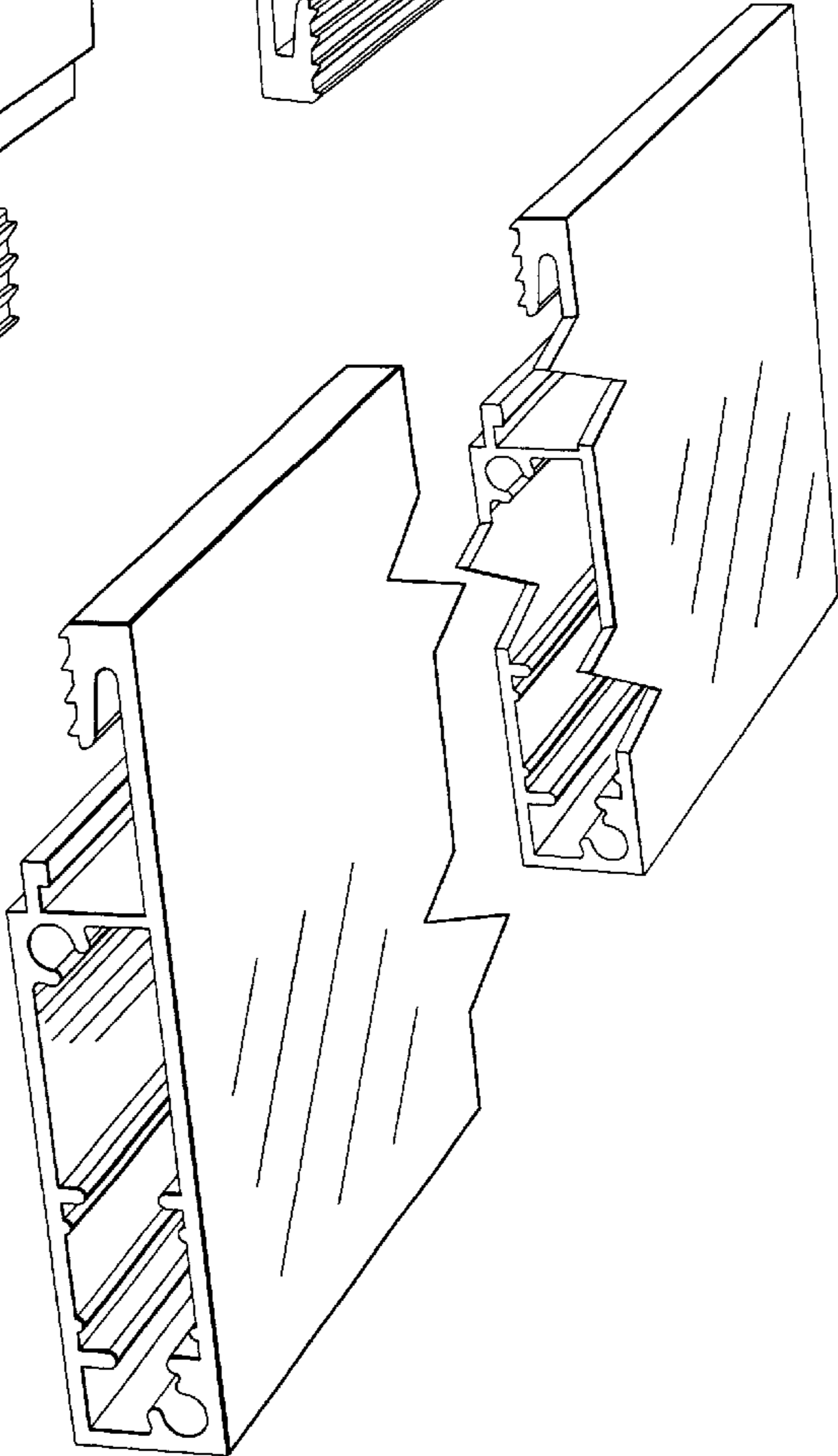


Fig. 3