

US00D498000S1

(12) **United States Design Patent**
Griffiths

(10) **Patent No.:** **US D498,000 S**

(45) **Date of Patent:** **** Nov. 2, 2004**

(54) **LOUVRE ENDCAP**

6,401,395 B2 * 6/2002 Gabriele 49/403

(76) **Inventor:** **Robert Phillip Griffiths**, 589 Gardners Road, Mascot NSW 2020 (AU)

* cited by examiner

(**) **Term:** **14 Years**

Primary Examiner—Doris Clark

(21) **Appl. No.:** **29/188,919**

(74) *Attorney, Agent, or Firm*—Akin Gump Strauss Hauer & Feld, L.L.P.

(22) **Filed:** **Aug. 25, 2003**

(57) **CLAIM**

(30) **Foreign Application Priority Data**

The ornamental design for a louvre endcap, as shown and described.

Feb. 24, 2003 (AU) 610/2003

DESCRIPTION

(51) **LOC (7) Cl.** **25-02**

FIG. 1 is a front elevational view of a louvre endcap in accordance with my new design;

(52) **U.S. Cl.** **D25/47**

FIG. 2 is a right side elevational view thereof and a left side elevational view being a mirror image thereof;

(58) **Field of Search** D25/199, 135, D25/49, 47; 160/401, 403, 399, 396

FIG. 3 is a rear elevational view thereof;

FIG. 4 is a rear perspective view thereof;

(56) **References Cited**

U.S. PATENT DOCUMENTS

D268,875 S * 5/1983 Kohler D25/47

5,921,028 A * 7/1999 Marocco 49/403

FIG. 5 is a right side perspective view thereof;

FIG. 6 is a left side perspective view thereof; and,

FIG. 7 is a front perspective view thereof.

1 Claim, 2 Drawing Sheets



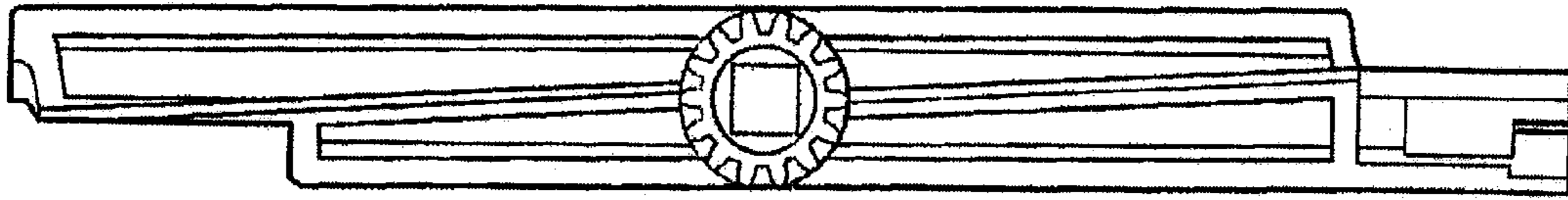


FIG. 1

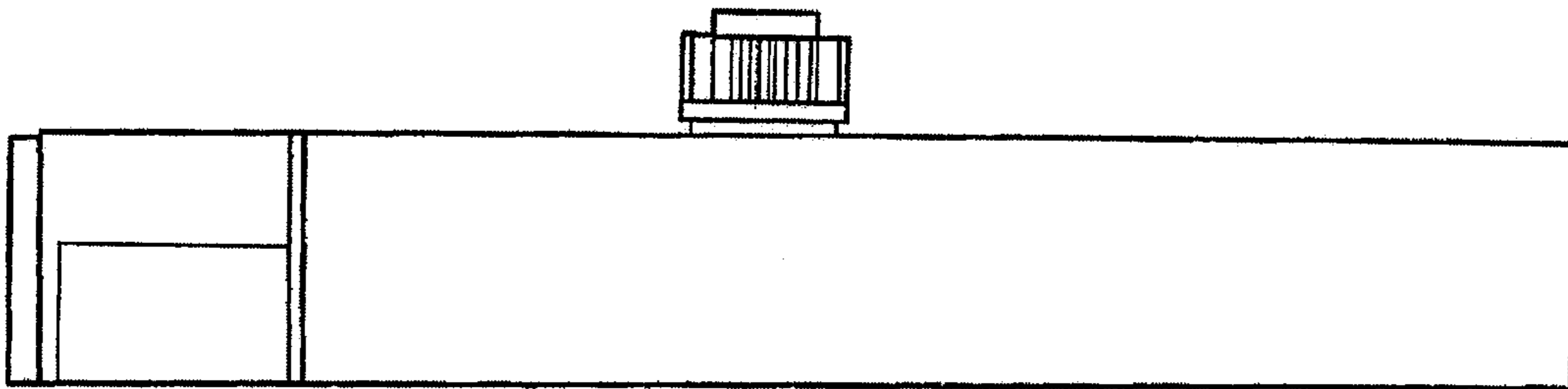


FIG. 2

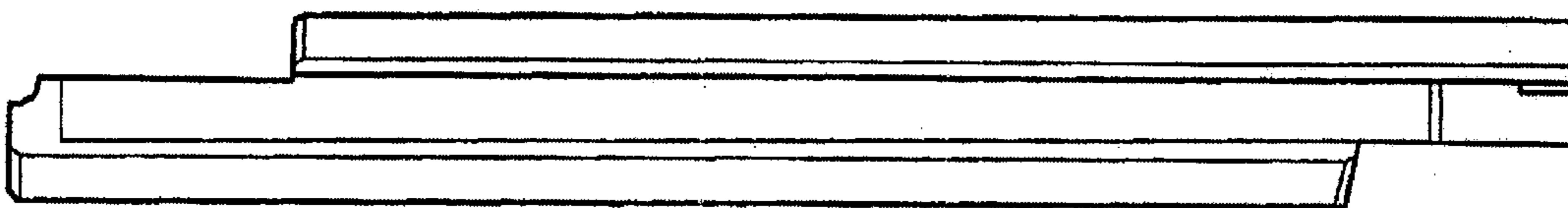


FIG. 3

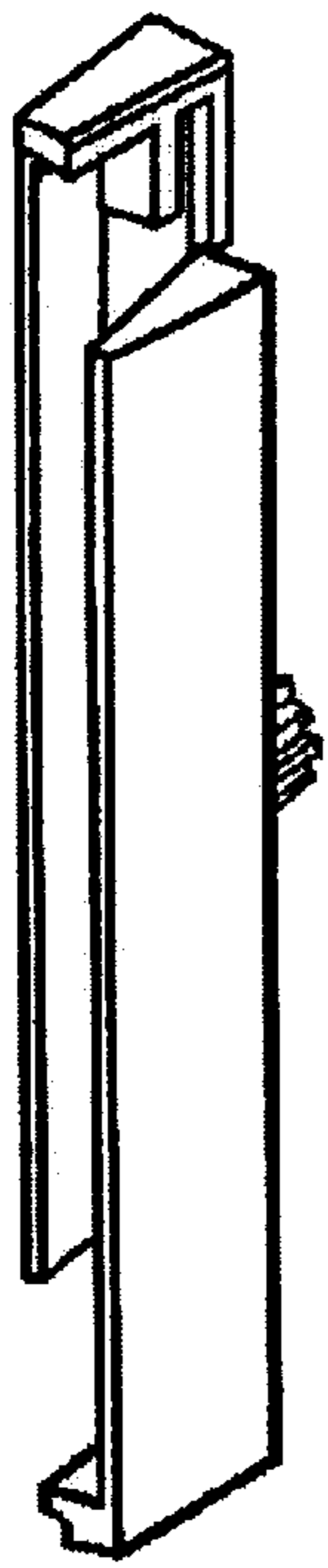


FIG. 5

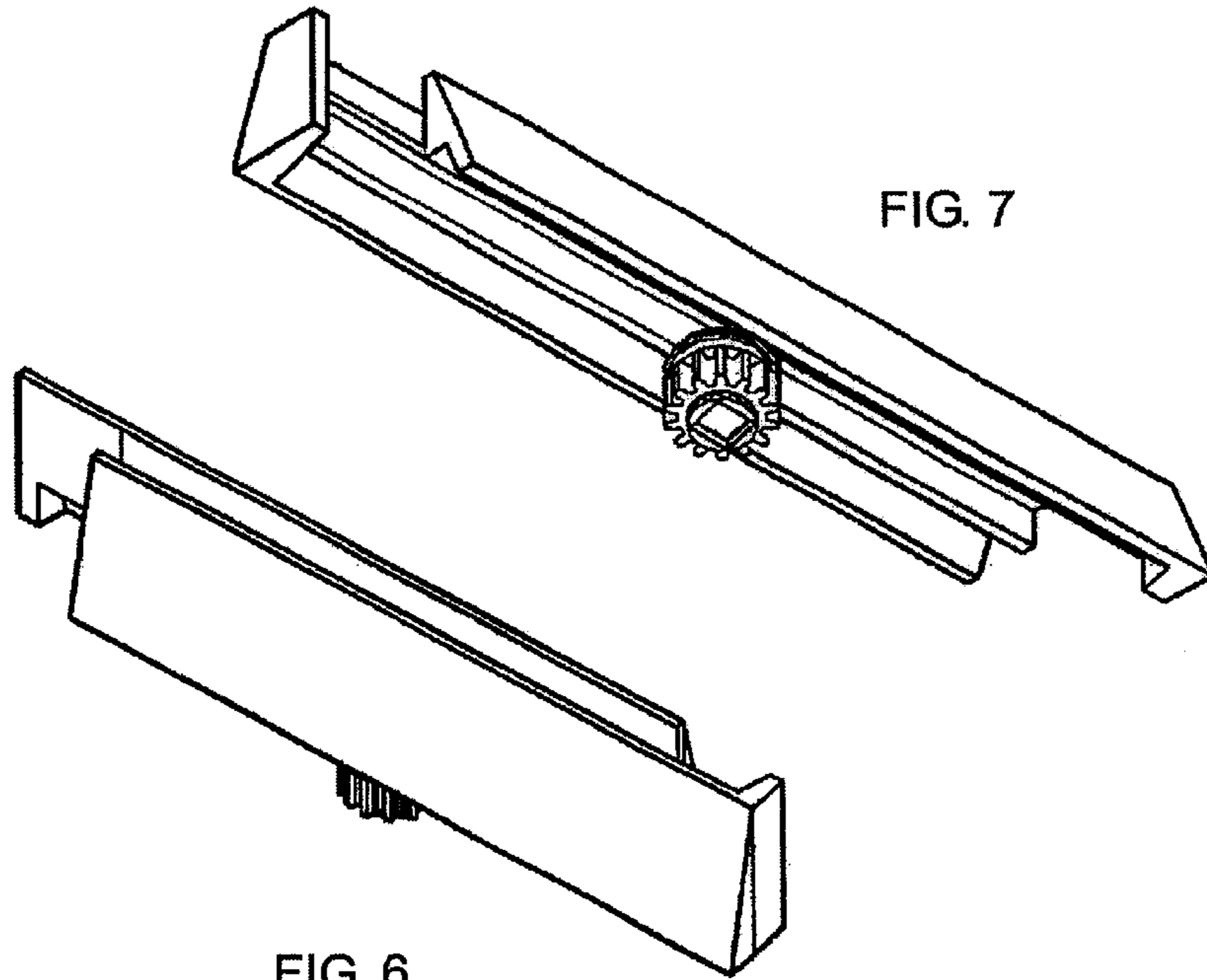


FIG. 6

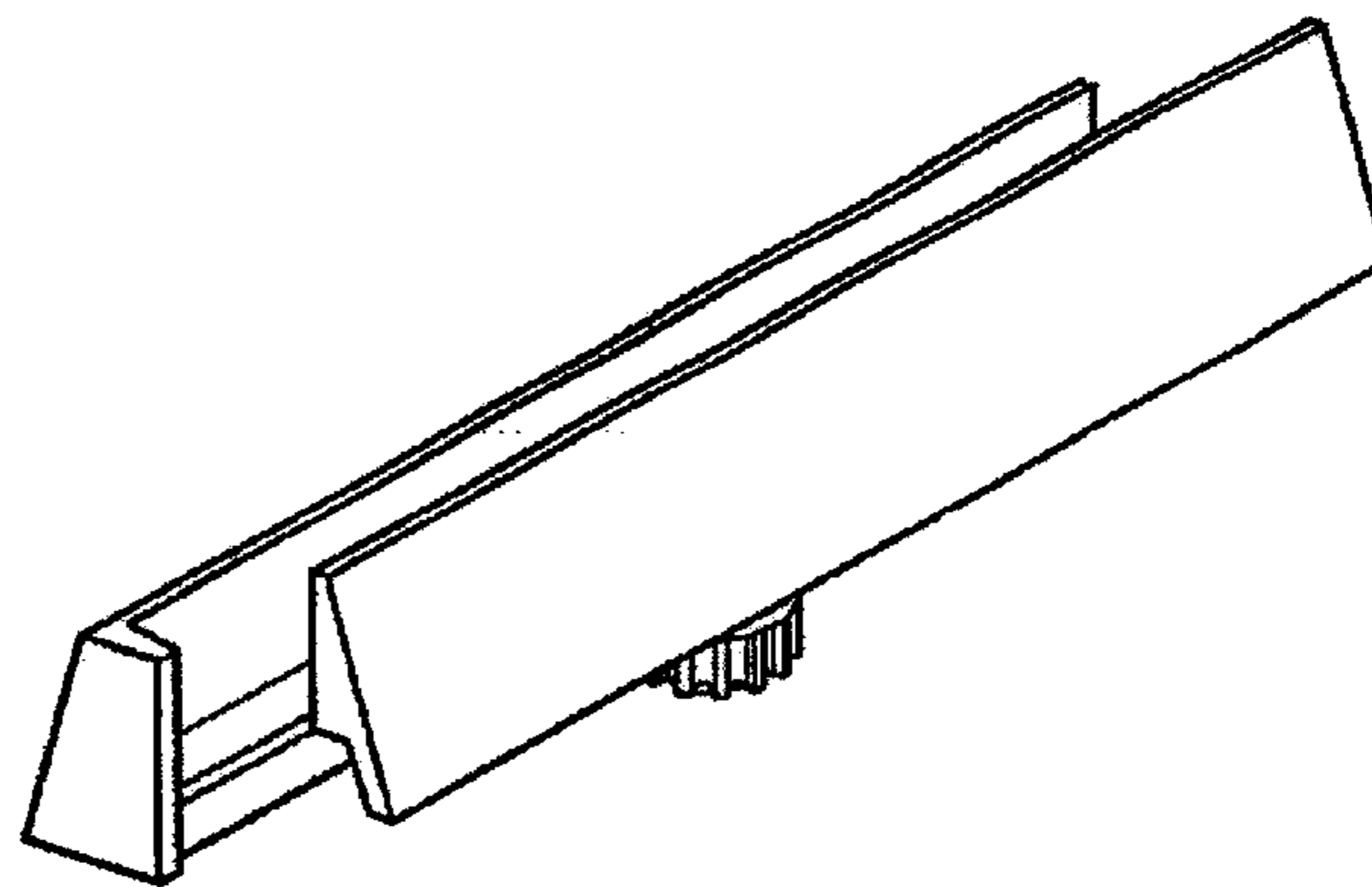


FIG. 4

FIG. 7

