

US00D497995S1

(12) **United States Design Patent** (10) **Patent No.:** **US D497,995 S**
Baily et al. (45) **Date of Patent:** **** Nov. 2, 2004**

(54) **MEDICAL DEVICE CASING**

(75) Inventors: **Greg Baily**, Cardiff (GB); **John Albert David Iles**, Cardiff (GB)

(73) Assignee: **Huntleigh Technology PLC** (GB)

(**) Term: **14 Years**

(21) Appl. No.: **29/172,894**

(22) Filed: **Dec. 19, 2002**

(51) **LOC (7) Cl.** **24-01**

(52) **U.S. Cl.** **D24/186**

(58) **Field of Search** D24/186, 185,
D24/165, 111, 169; 600/486, 485, 481,
484, 509, 391, 393, 513, 519, 528, 532,
586, 536, 538, 549

(56) **References Cited**

U.S. PATENT DOCUMENTS

D327,274 S	6/1992	Matre et al.	
D328,645 S	* 8/1992	Rogler et al.	D24/186
D340,724 S	10/1993	Mariol	
D367,115 S	2/1996	Barber et al.	
D390,654 S	* 2/1998	Alsberg et al.	D24/111
D393,072 S	* 3/1998	Rogler	D24/186
D394,268 S	5/1998	Evans et al.	
D418,522 S	1/2000	Angel	

D427,315 S	* 6/2000	Saltzstein et al.	D24/186
6,221,012 B1	* 4/2001	Maschke et al.	600/485
D447,490 S	9/2001	Matthew et al.	
D447,569 S	9/2001	Baily et al.	
D454,884 S	3/2002	Christiansen et al.	
D460,559 S	* 7/2002	Knieriem et al.	D24/186
D465,791 S	11/2002	Moan	
D491,270 S	* 6/2004	Barker	D24/186

* cited by examiner

Primary Examiner—Ian Simmons

(74) *Attorney, Agent, or Firm*—Brown Raysman Millstein Felder & Steiner

(57) **CLAIM**

The ornamental design for a medical device casing, as shown and described.

DESCRIPTION

FIG. 1 is a front perspective view of our design for a medical device casing.

FIG. 2 is a rear perspective view thereof.

FIG. 3 is a top view thereof.

FIG. 4 is a front view thereof.

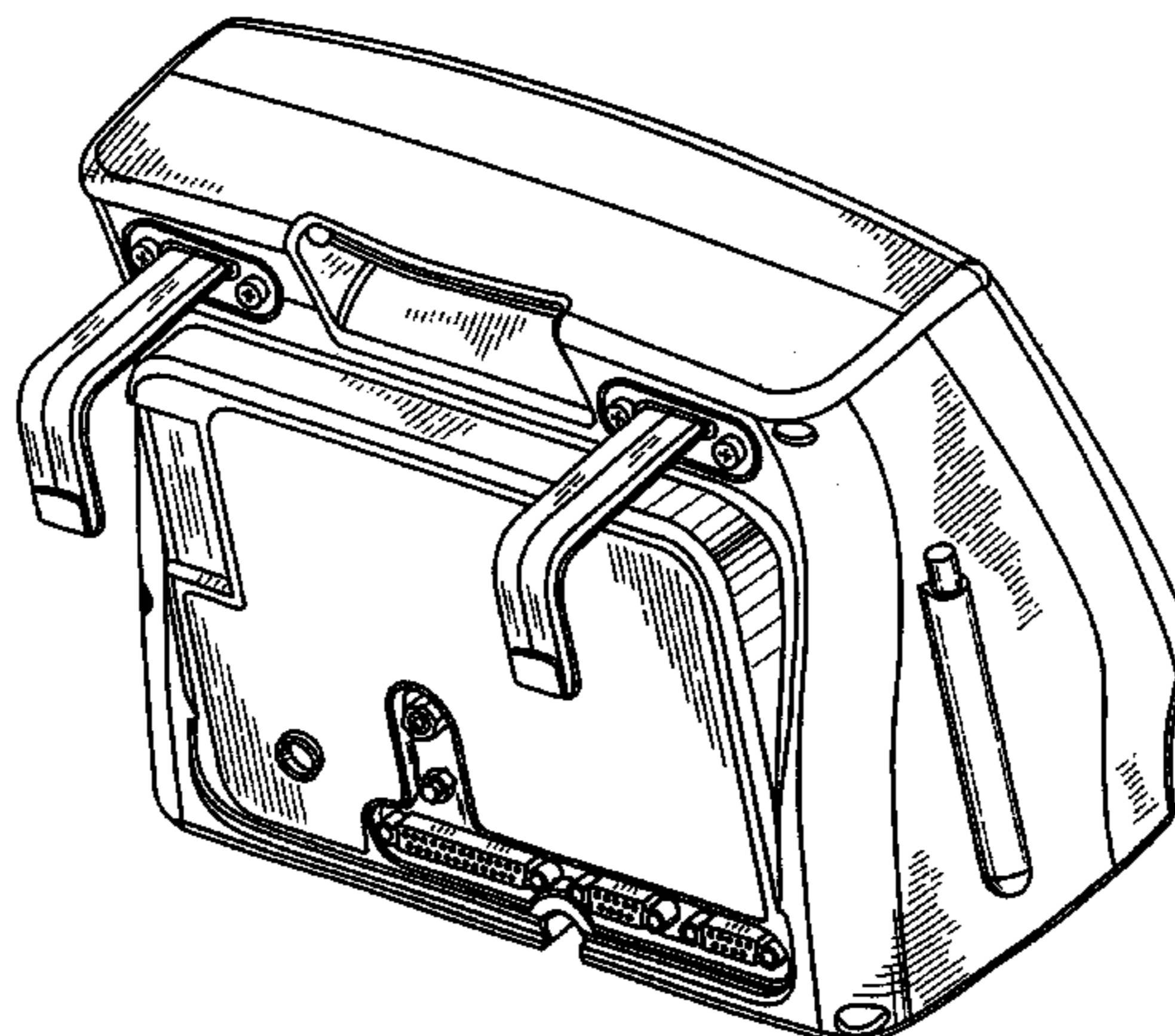
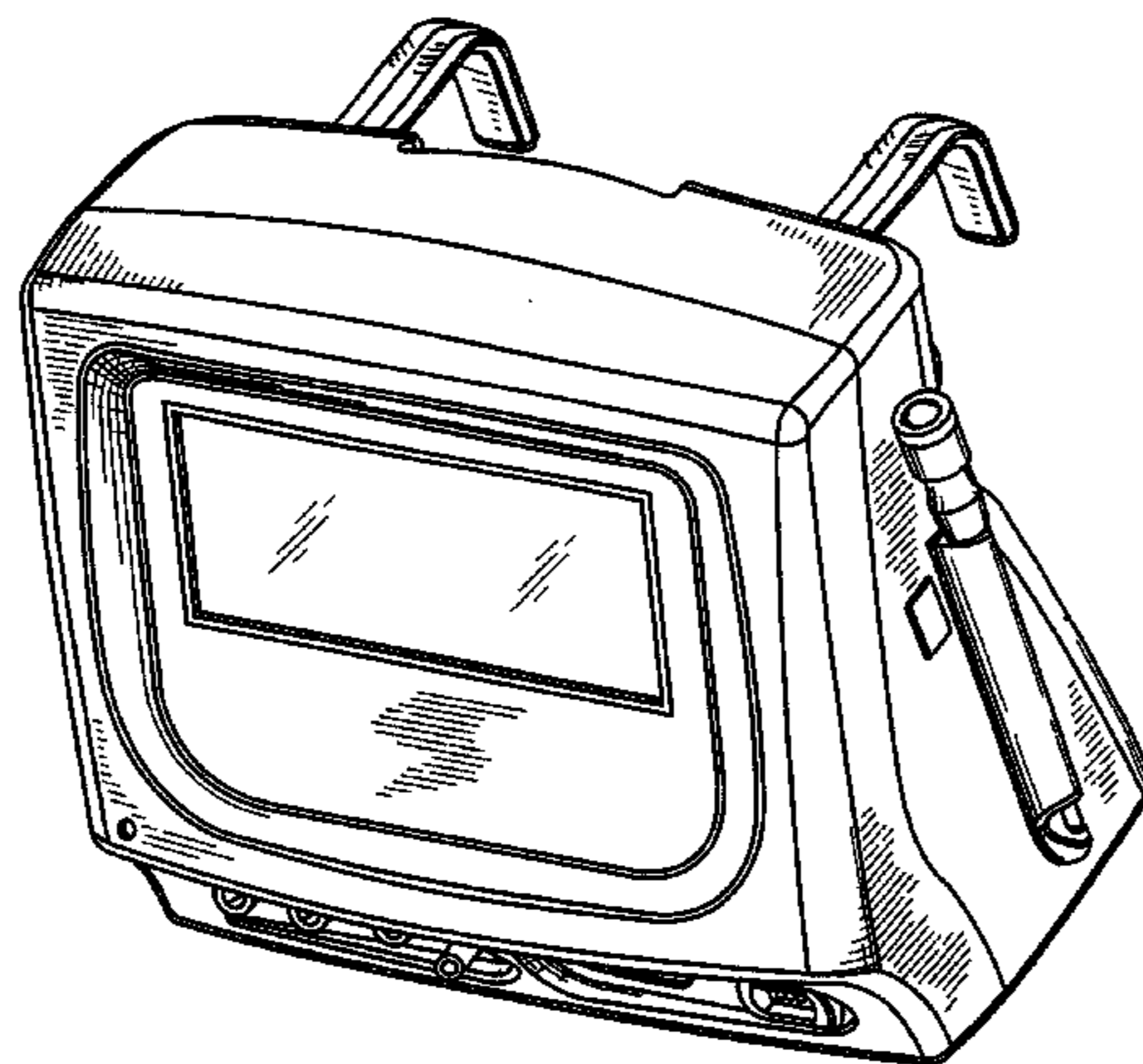
FIG. 5 is a left side view thereof.

FIG. 6 is a right side view thereof.

FIG. 7 is a rear view thereof; and,

FIG. 8 is a bottom view thereof.

1 Claim, 8 Drawing Sheets



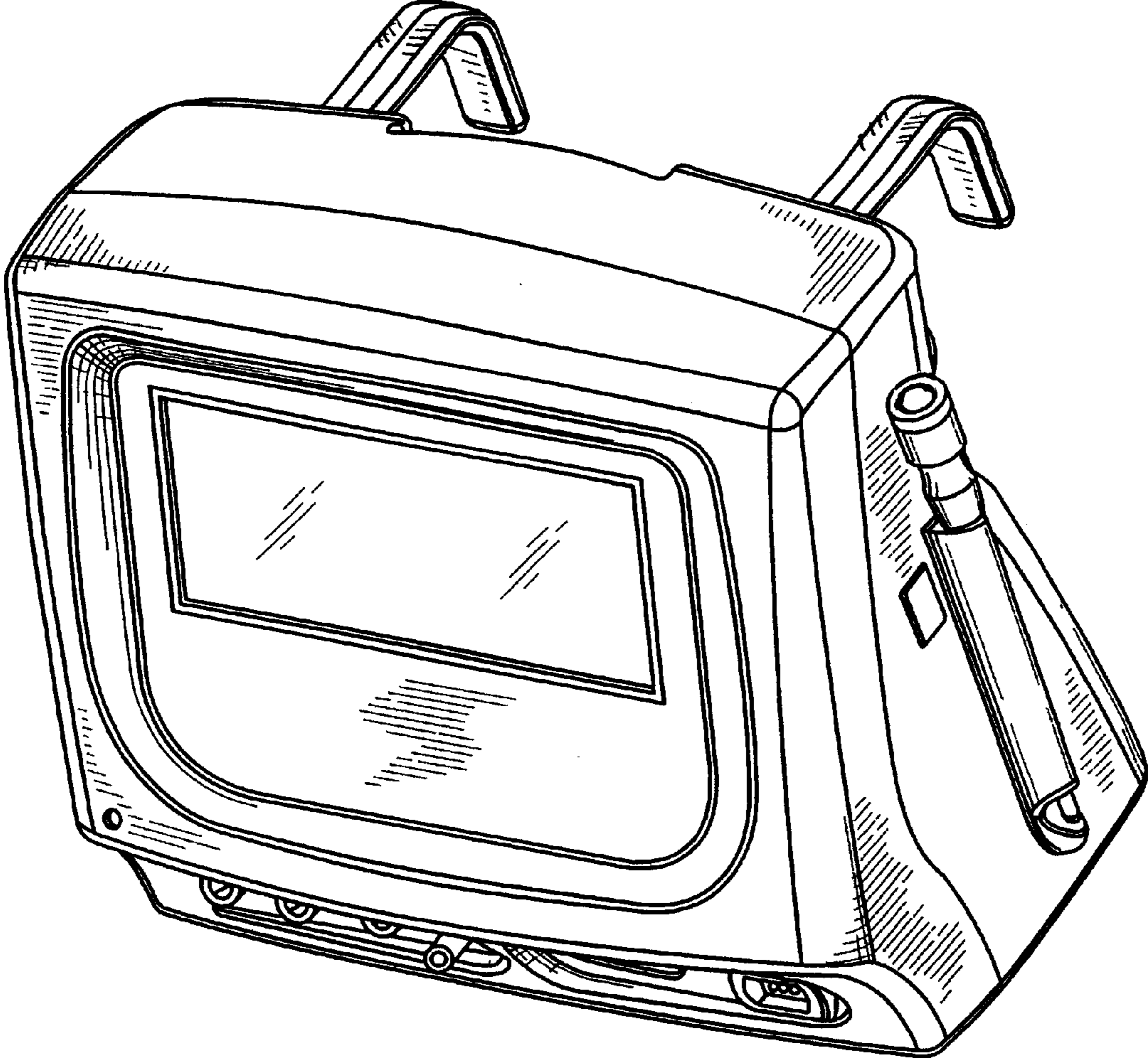


FIG. 1

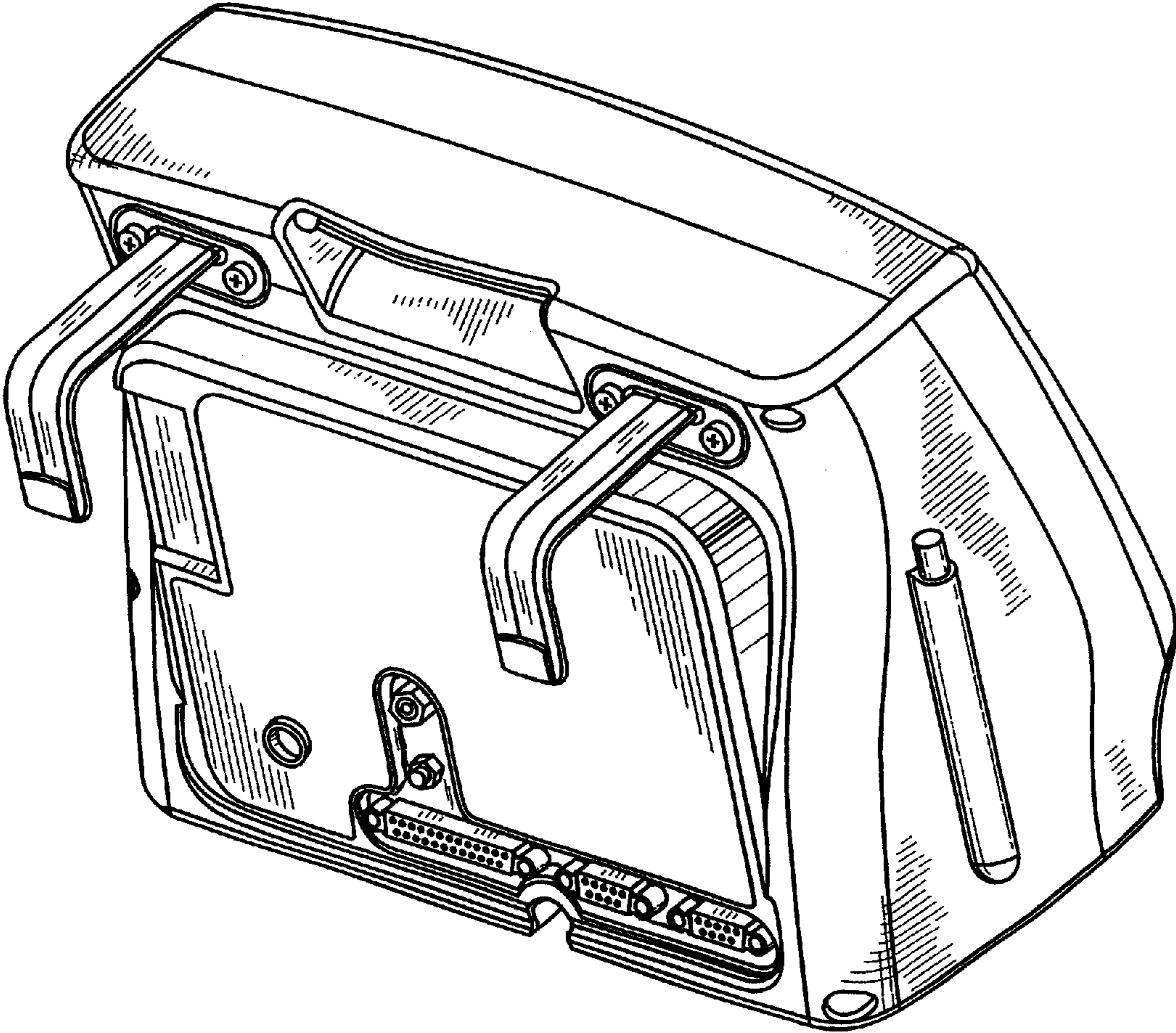


FIG. 2

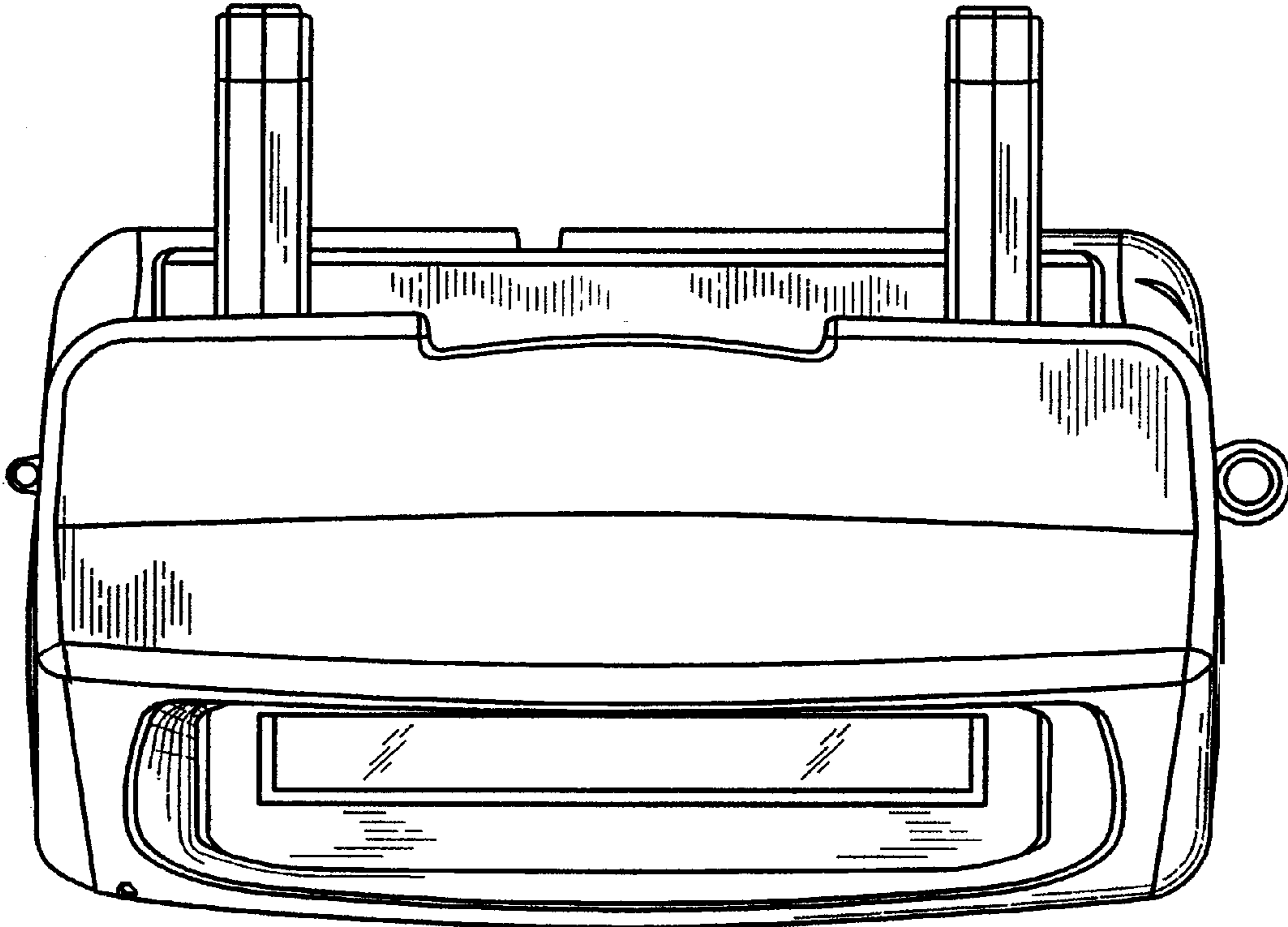


FIG. 3

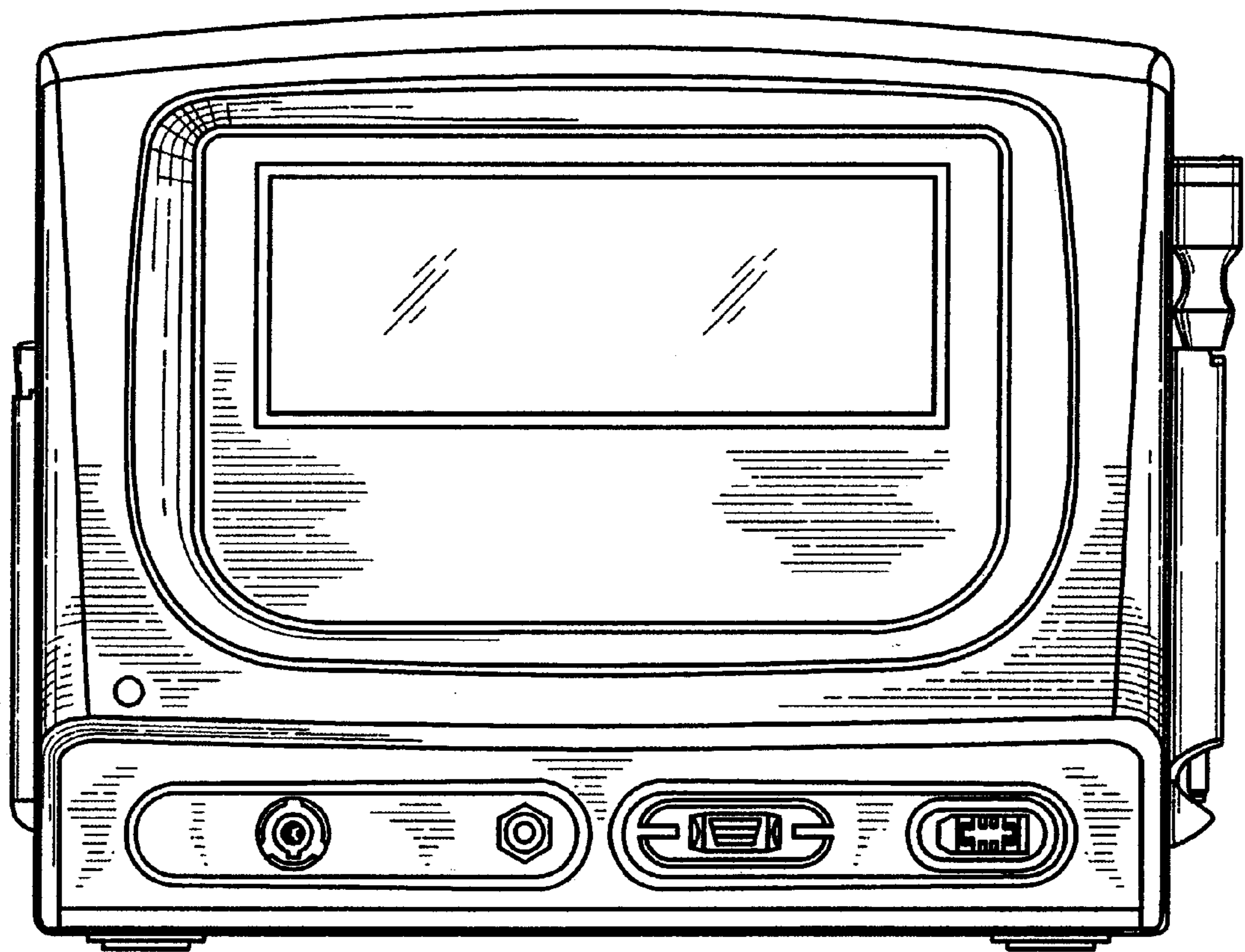


FIG. 4

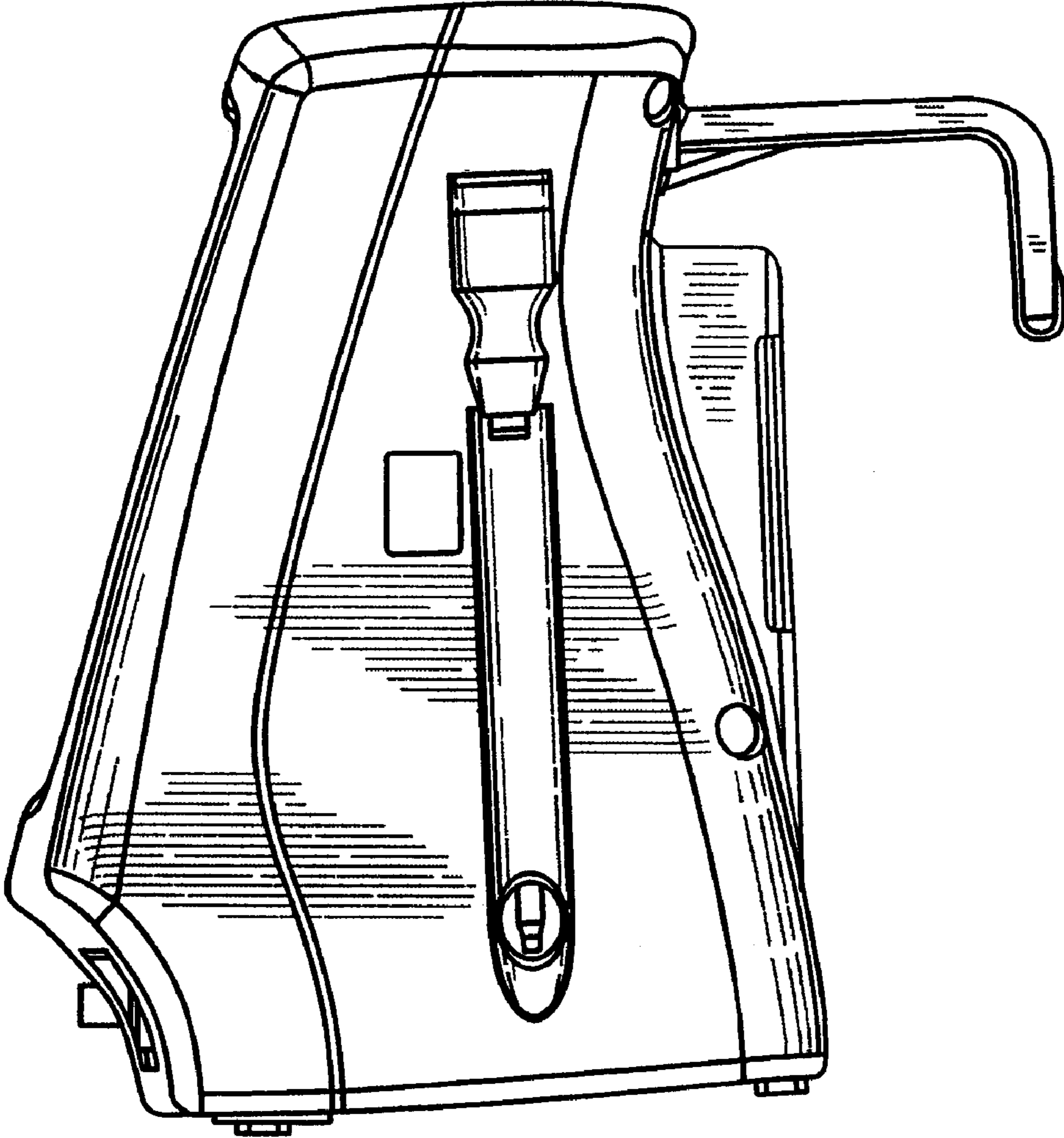


FIG. 5

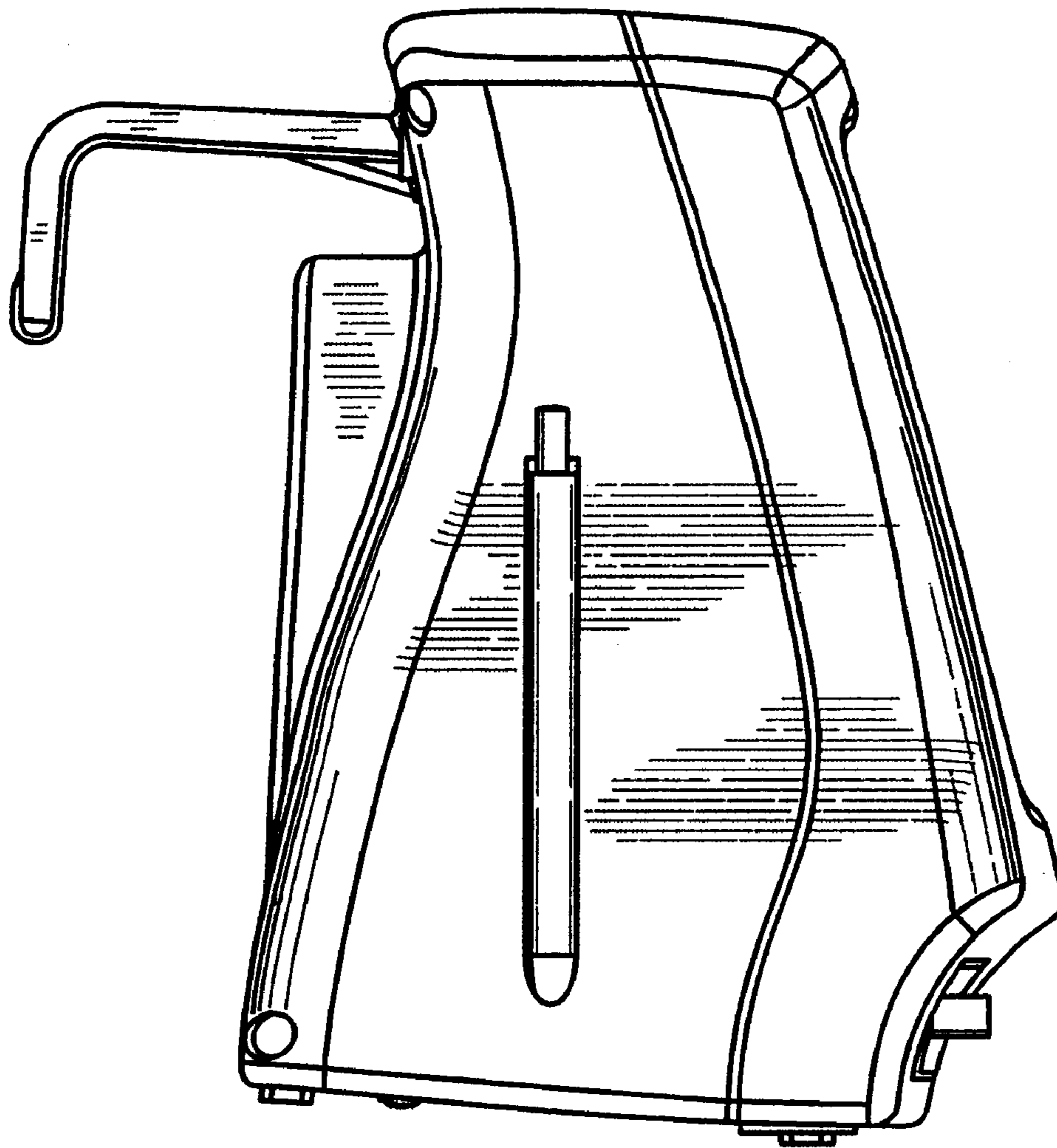


FIG. 6

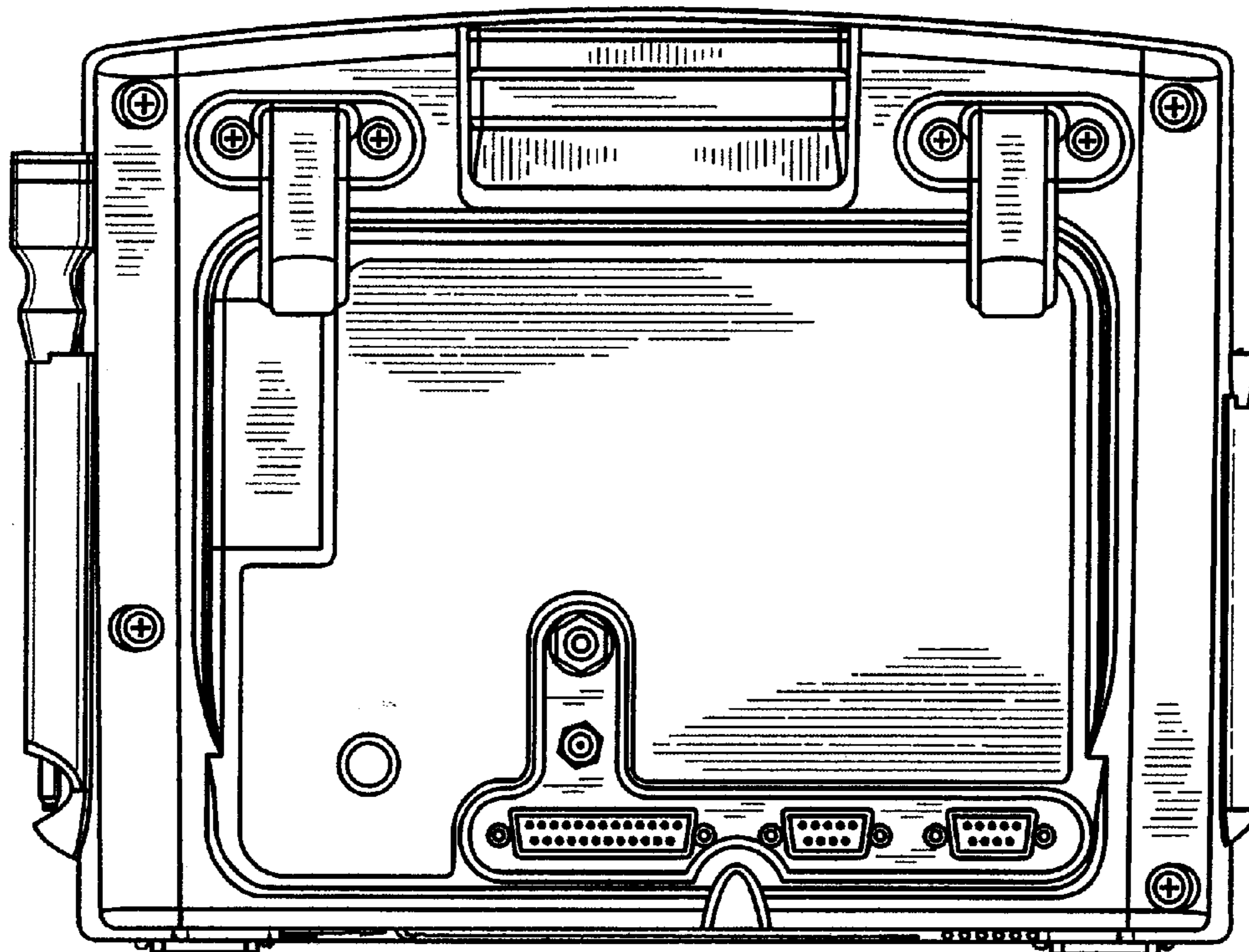


FIG. 7

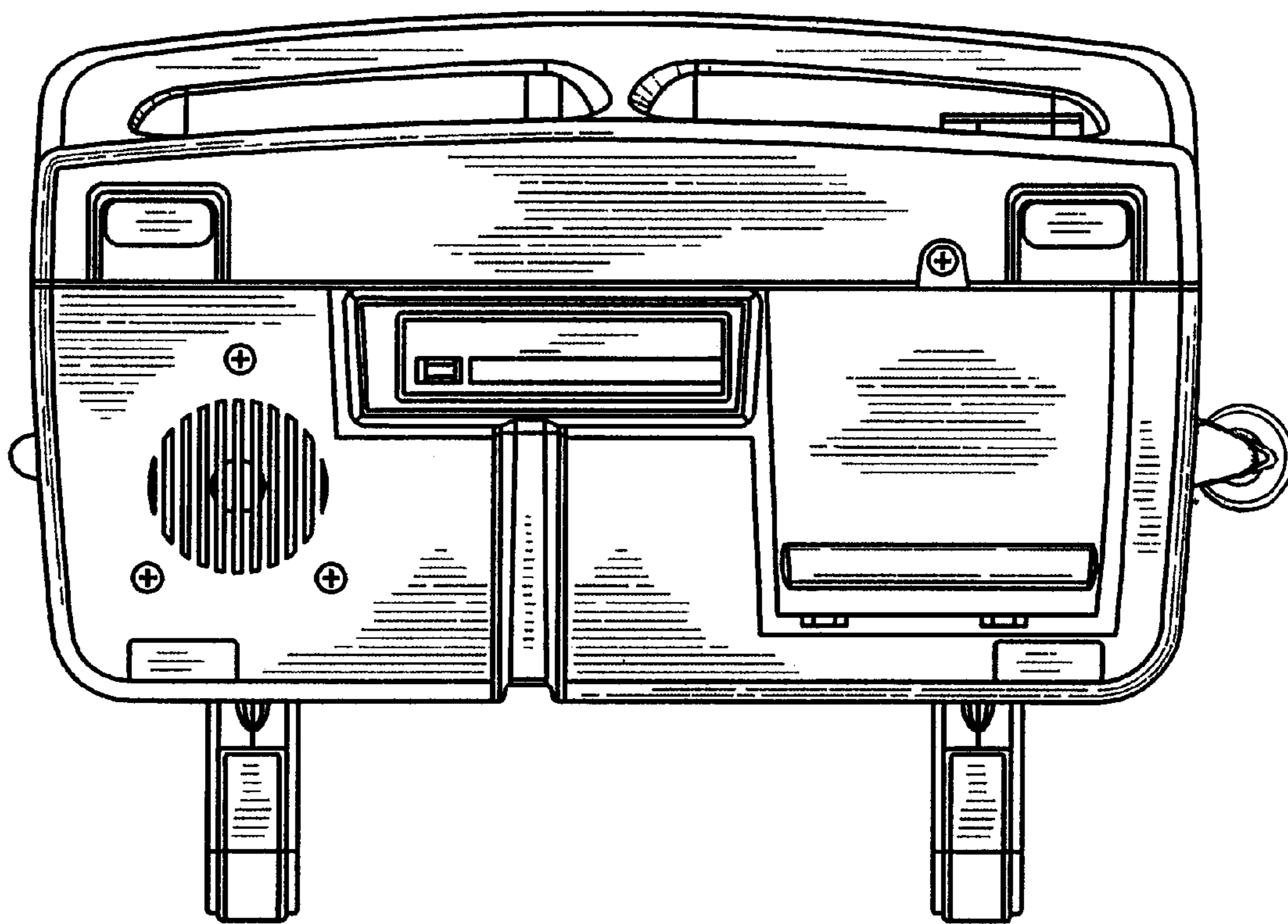


FIG. 8