

US00D497994S1

(12) **United States Design Patent**
Phleps et al.

(10) **Patent No.:** **US D497,994 S**
(45) **Date of Patent:** **** Nov. 2, 2004**

(54) **HANDLE FOR DENTAL X-RAY MACHINE**
(75) Inventors: **Tilman Phleps**, Lorsch (DE); **Thomas Blümel**, Möhrendorf (DE); **Klaus Stöckl**, Bensheim (DE)

(73) Assignee: **Sirona Dental Systems GmbH**, Bensheim (DE)

(**) Term: **14 Years**

(21) Appl. No.: **29/190,410**

(22) Filed: **Sep. 22, 2003**

(30) **Foreign Application Priority Data**

Mar. 19, 2003 (DE) 403 02 215.0

(51) **LOC (7) Cl.** **24-01**

(52) **U.S. Cl.** **D24/158**

(58) **Field of Search** D24/158; 378/38-40,
378/167, 168, 204; D21/694; D14/412,
413

(56) **References Cited**

U.S. PATENT DOCUMENTS

4,122,350 A * 10/1978 Liphay et al. 378/37

4,242,585 A * 12/1980 Yamano 378/39
D272,385 S * 1/1984 Nakano et al. D24/158
5,058,147 A * 10/1991 Nishikawa et al. 378/38
6,169,780 B1 * 1/2001 Yoshimura et al. 378/39
6,424,694 B1 * 7/2002 Molteni et al. 378/38
6,466,641 B1 * 10/2002 Virta et al. 378/38
2004/0065828 A1 * 4/2004 Wainer 250/336.1

* cited by examiner

Primary Examiner—Stella Reid

(74) *Attorney, Agent, or Firm*—Dykema Gossett PLLC

(57) **CLAIM**

The ornamental design for a handle for dental x-ray machine, as shown and described.

DESCRIPTION

FIG. 1 is a left side perspective view of a handle for a dental x-ray machine showing my new design;
FIG. 2 is a left side view thereof, the right side view being a mirror image;
FIG. 3 is a top view thereof;
FIG. 4 is a front view thereof;
FIG. 5 is a rear view thereof; and,
FIG. 6 is a bottom view thereof.

1 Claim, 3 Drawing Sheets

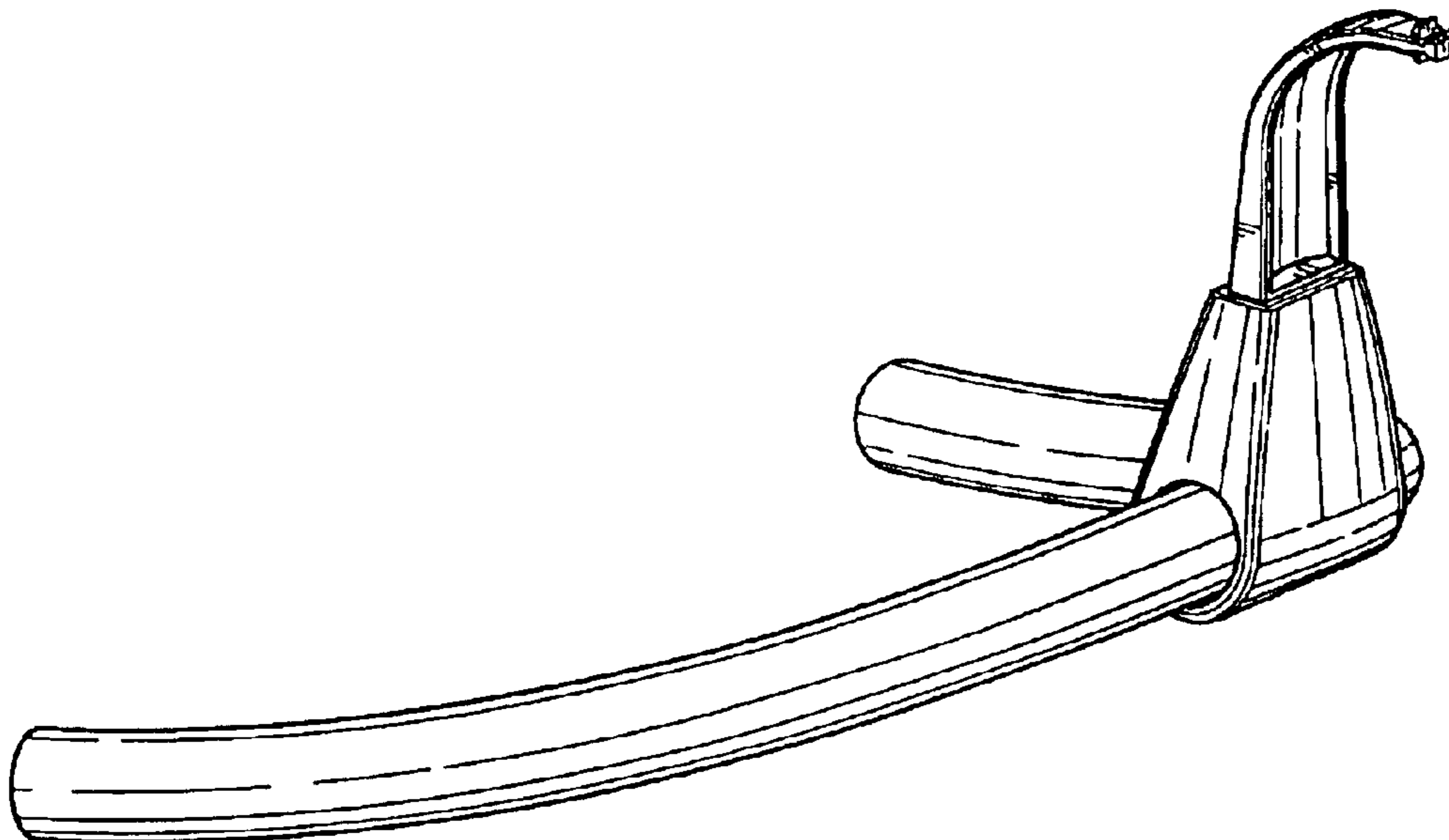


FIG. 1

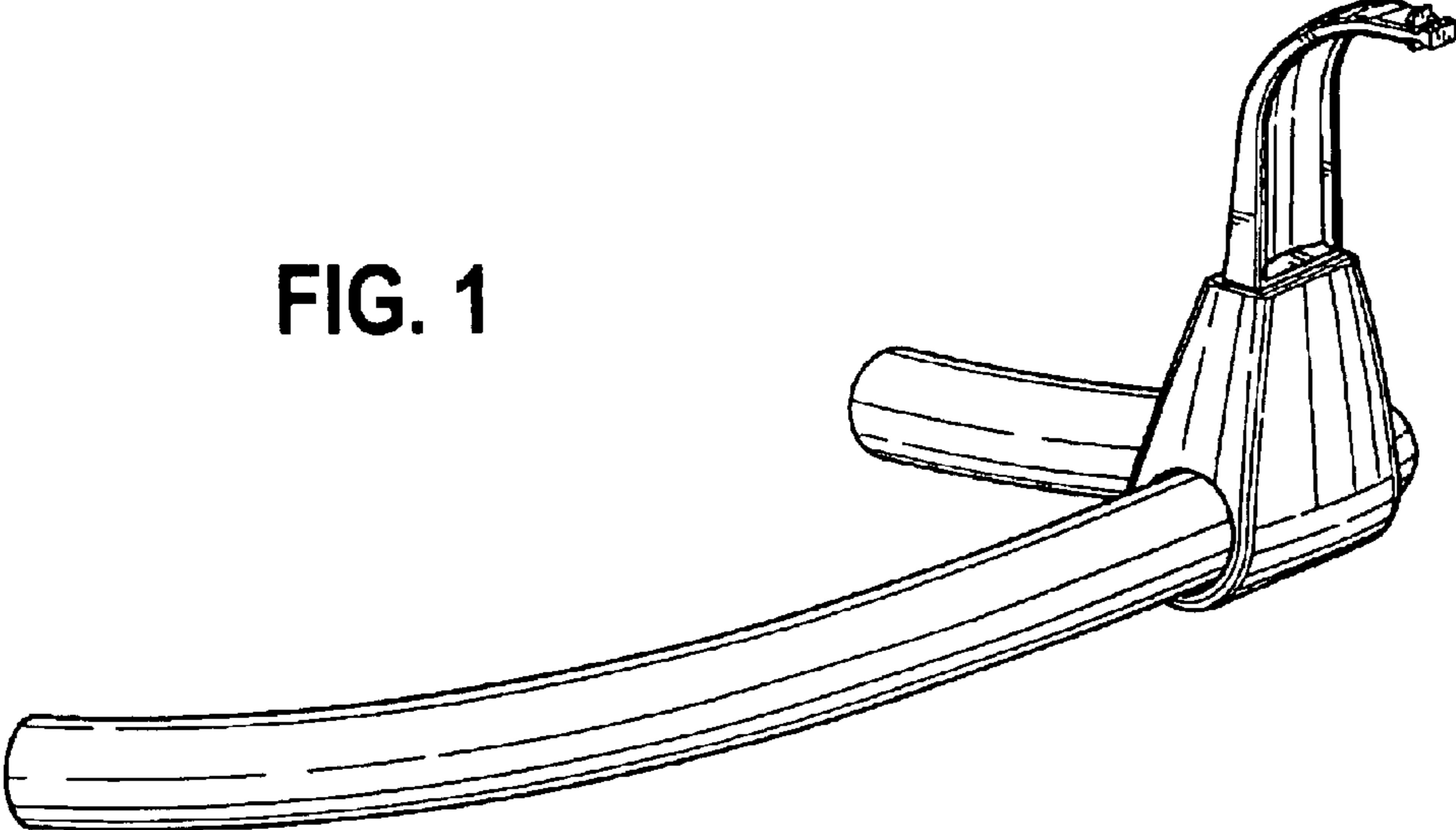
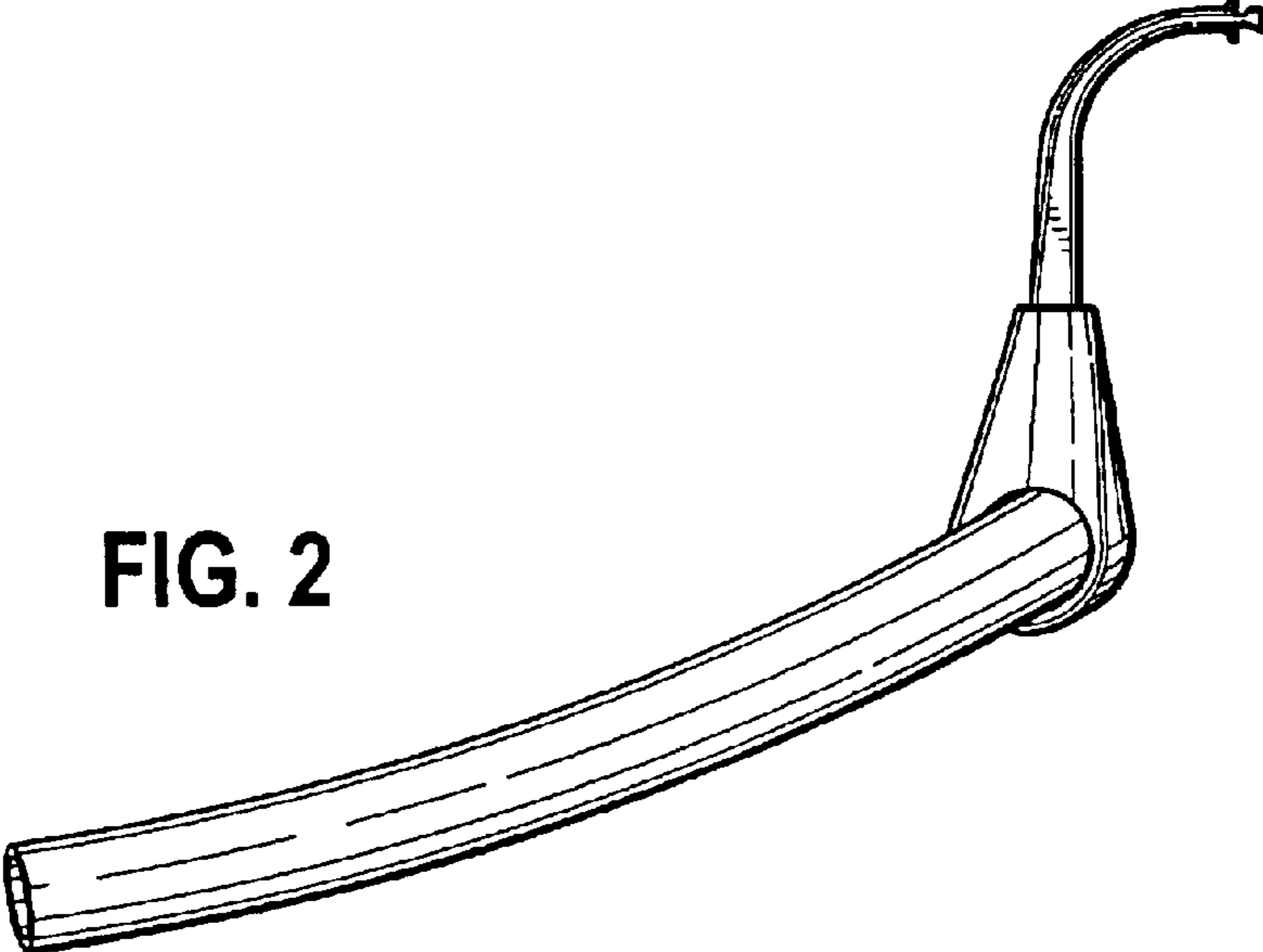


FIG. 2



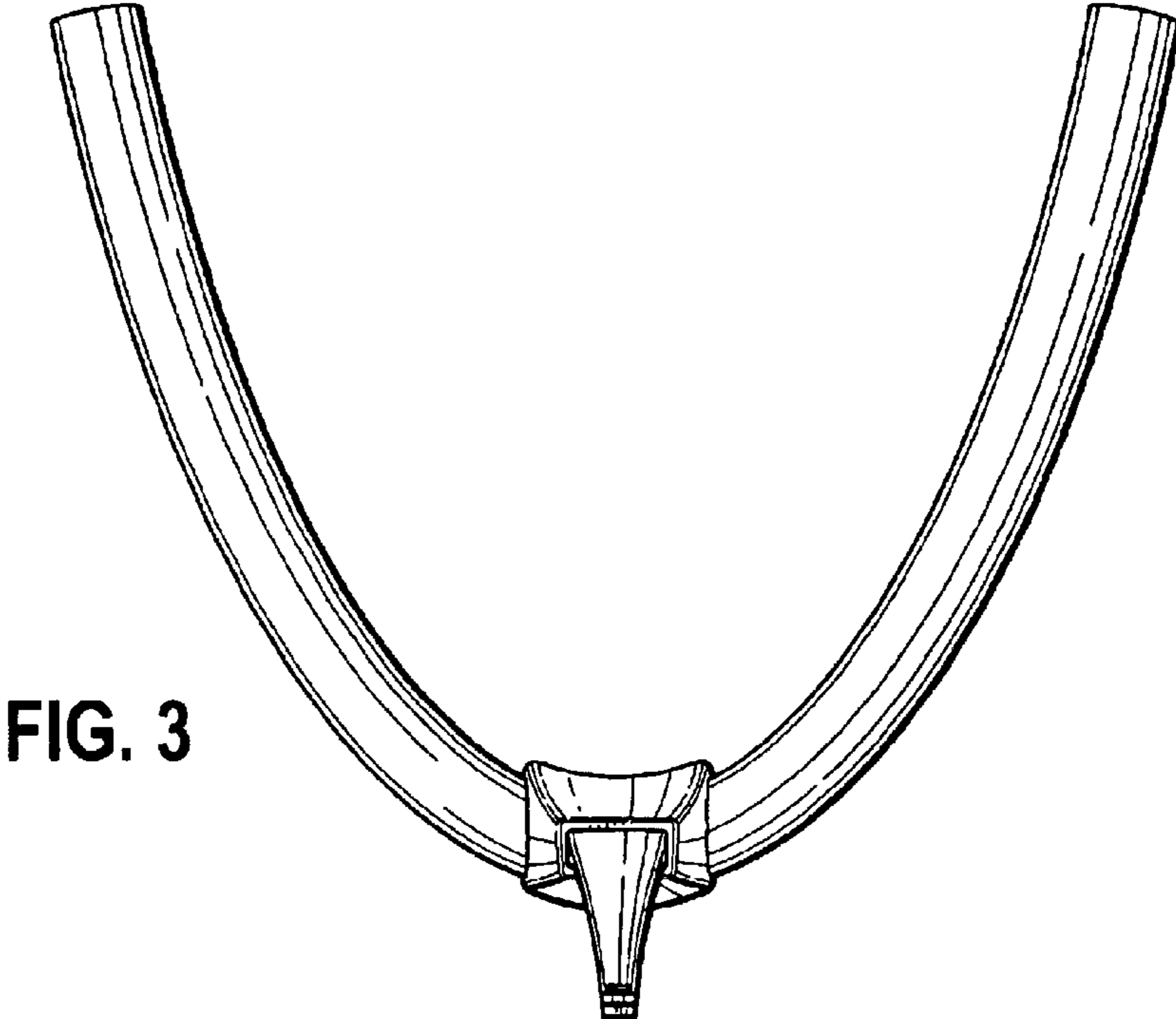


FIG. 3

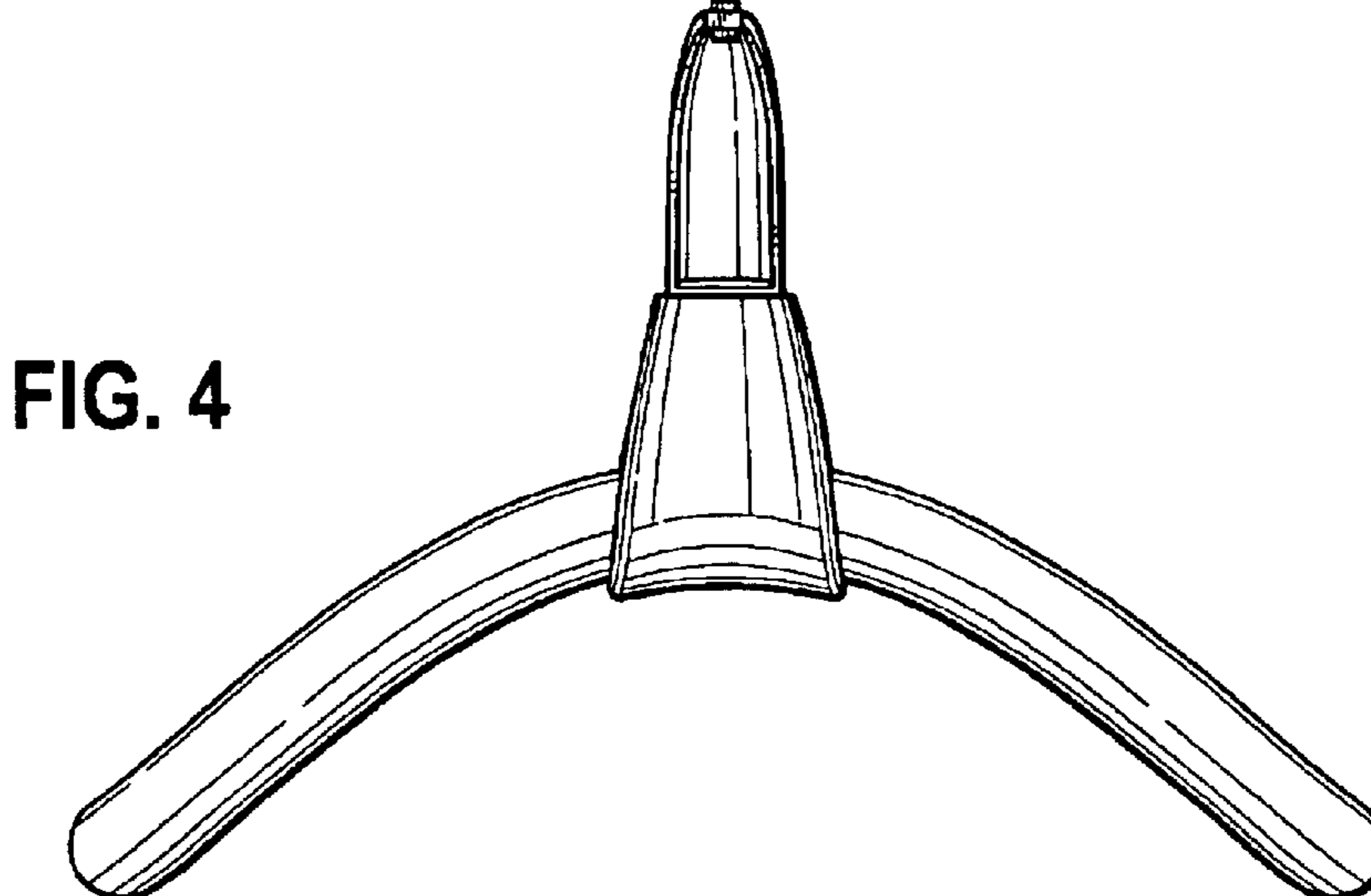


FIG. 4

FIG. 5

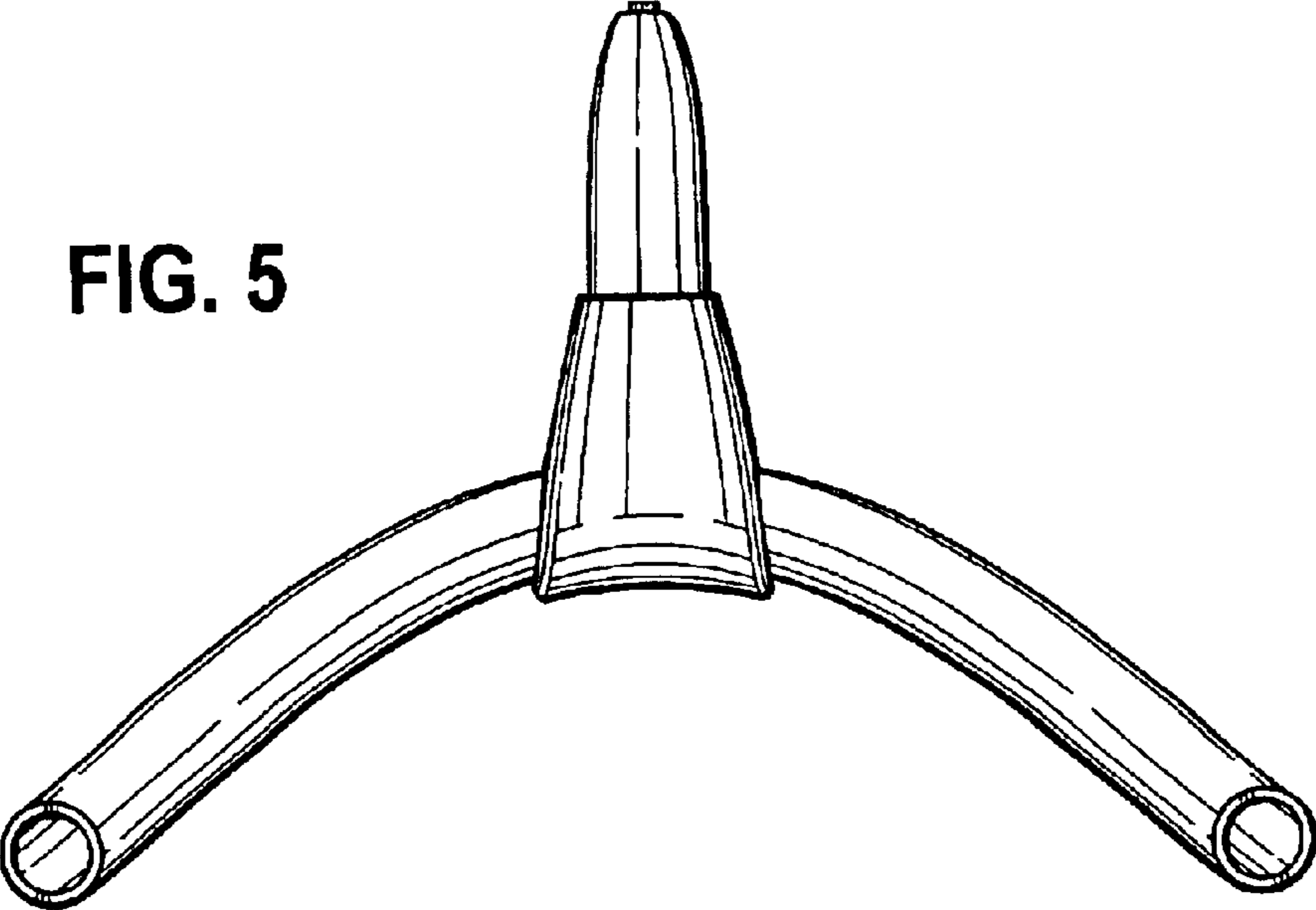


FIG. 6

