

US00D497993S1

(12) **United States Design Patent** (10) **Patent No.:** **US D497,993 S**
Dixon et al. (45) **Date of Patent:** **** Nov. 2, 2004**

(54) **BIOABSORBABLE STRUCTURAL INTERBODY VERTEBRAL IMPLANT**

6,530,955 B2 3/2003 Boyle et al.
 D472,972 S * 4/2003 Anderson D24/155
 6,679,887 B2 * 1/2004 Nicholson et al. 606/84
 6,696,073 B2 * 2/2004 Boyce et al. 424/422

(76) Inventors: **Robert A. Dixon**, 10577 Durham Pl.,
 Powell, OH (US) 43065; **Donald J. Hackman**,
 3499 Kirkham Rd., Columbus, OH (US) 43221

* cited by examiner

Primary Examiner—Antoine D. Davis

(**) Term: **14 Years**

(57) **CLAIM**

(21) Appl. No.: **29/186,804**

The ornamental design for a bioabsorbable structural interbody vertebral implant, as shown and described.

(22) Filed: **Jul. 22, 2003**

DESCRIPTION

(51) **LOC (7) Cl.** **24-03**

FIG. 1 is a left side perspective view of the implant showing the wedge shape, the container hole, and the tabs on each side of the wedge shaped body.

(52) **U.S. Cl.** **D24/155**

FIG. 2 is a side view showing rounded corners, the wedge shaped body, and the end of the left tab.

(58) **Field of Search** D24/155; 424/422,
 424/423, 443, 484, 623; 623/16.11, 17.18;
 606/84, 61; 423/16

FIG. 3 is a top view showing the growth enhancer retaining hole and the protruding tabs; and,

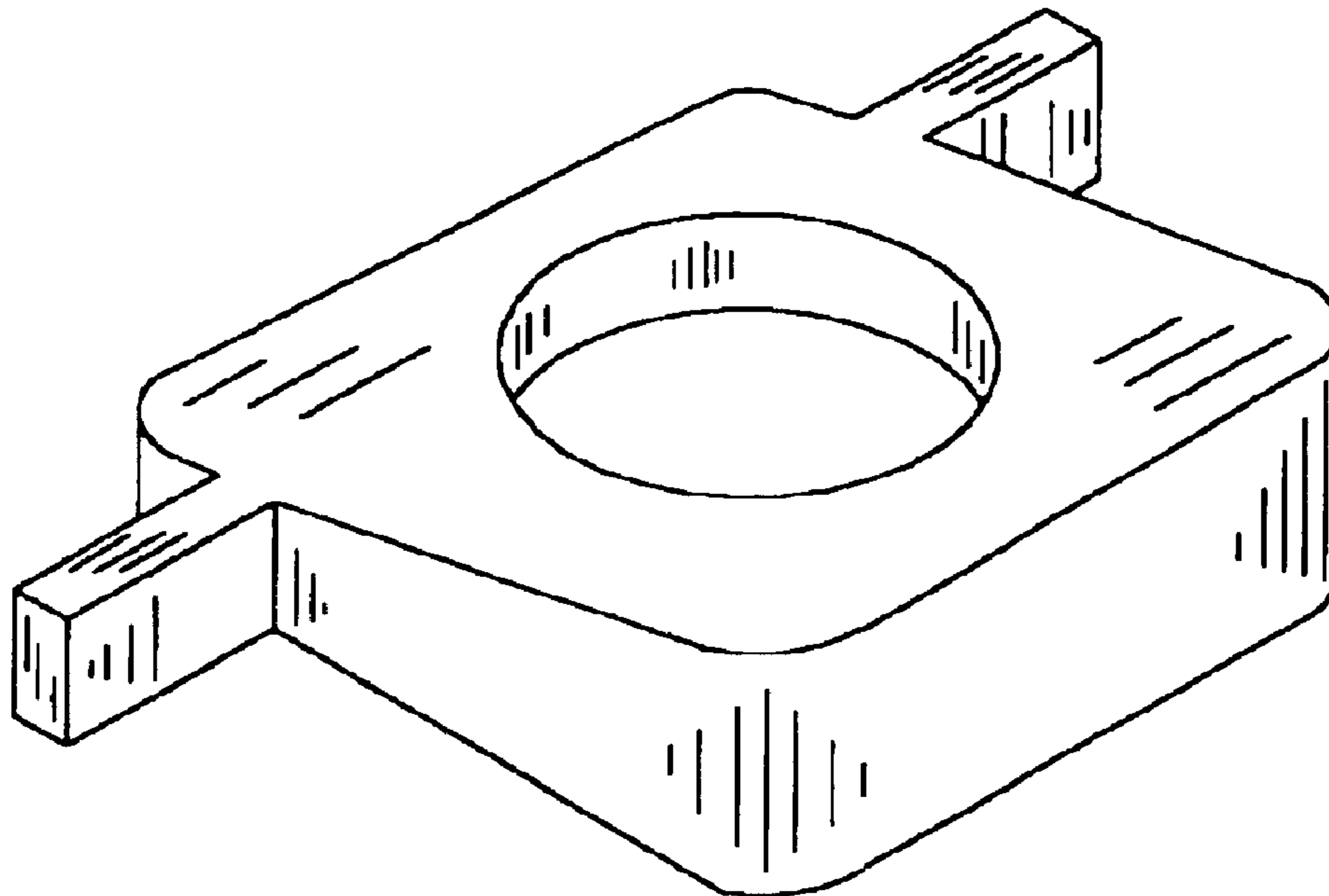
(56) **References Cited**

FIG. 4 is a front view showing the tabs thinner than front edge because of the slope of the top face.

U.S. PATENT DOCUMENTS

5,782,830 A * 7/1998 Farris 606/61
 6,143,033 A * 11/2000 Paul et al. 623/17.11

1 Claim, 2 Drawing Sheets



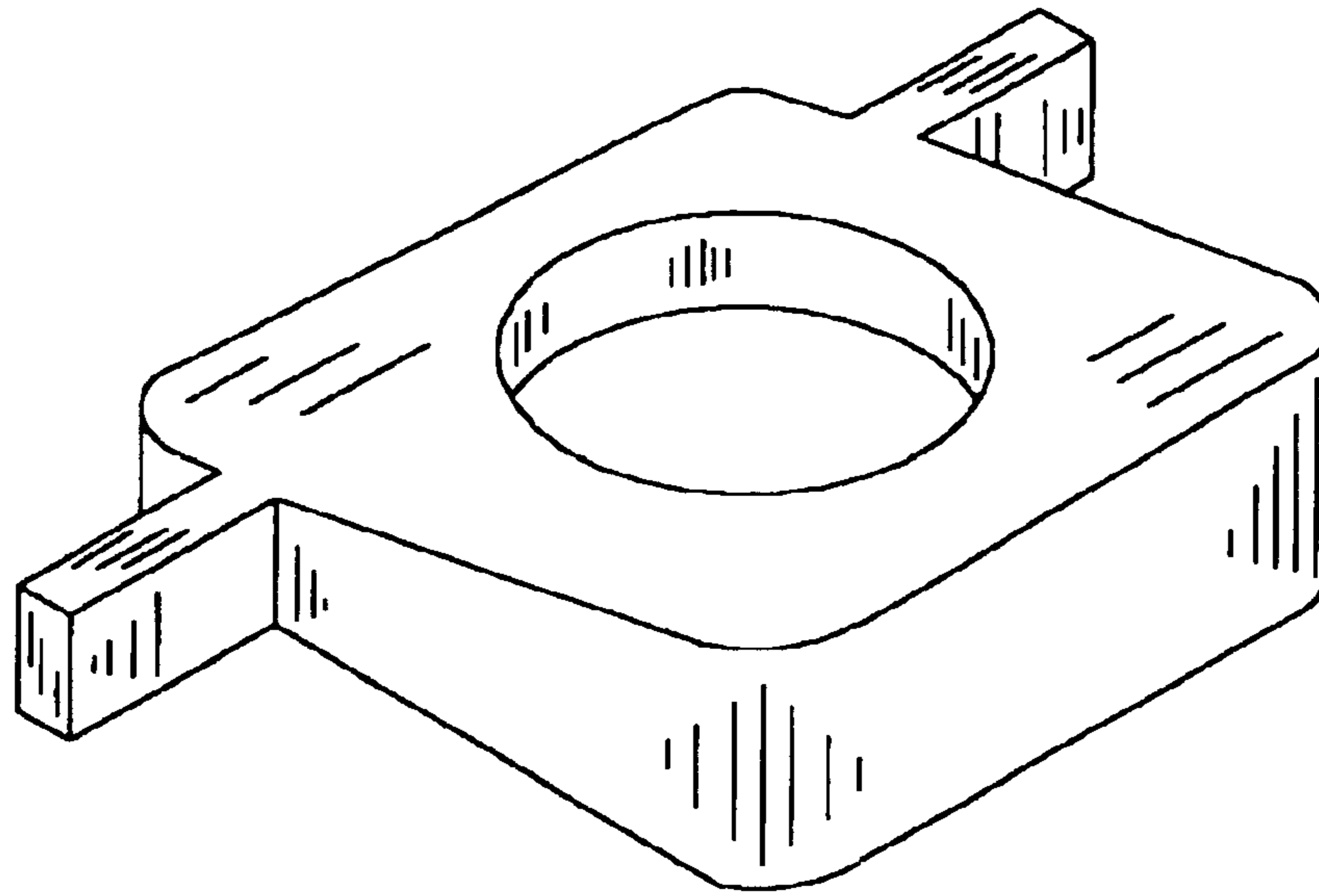


FIG. 1

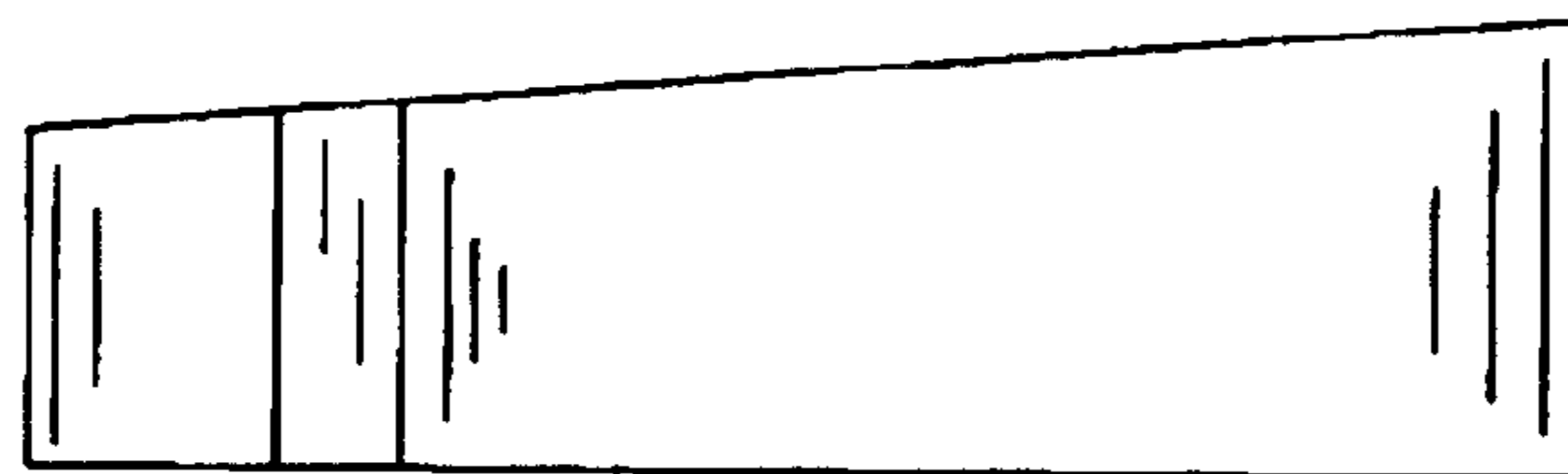


FIG. 2

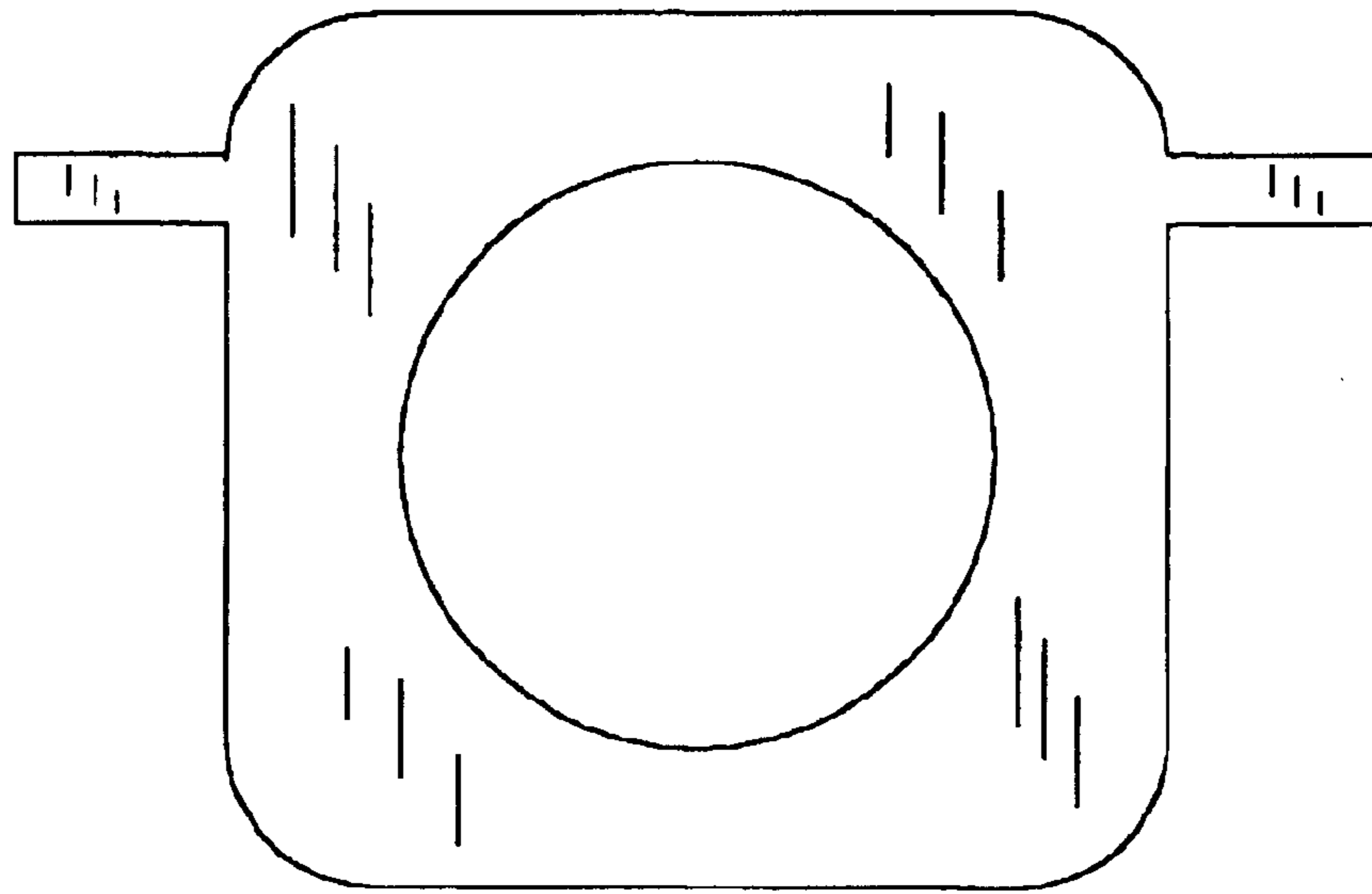


FIG. 3



FIG. 4