

US00D497989S1

(12) **United States Design Patent**  
**Myrick et al.**

(10) **Patent No.:** **US D497,989 S**  
(45) **Date of Patent:** **\*\* Nov. 2, 2004**

(54) **CARTRIDGE FOR GENERATING GAS-ENRICHED FLUIDS**

(75) Inventors: **Stephen E. Myrick**, Tustin, CA (US);  
**Mark S. Buhr**, Huntington Beach, CA (US);  
**William R. Patterson**, Irvine, CA (US);  
**Gregory P. Watson**, Laguna Niguel, CA (US)

(73) Assignee: **TherOx, Inc.**, Irvine, CA (US)

(\*\*) Term: **14 Years**

(21) Appl. No.: **29/156,499**

(22) Filed: **Mar. 1, 2002**

(51) **LOC (7) Cl.** ..... **29-02**

(52) **U.S. Cl.** ..... **D24/110.6; D24/164**

(58) **Field of Search** ..... **D24/110, 107, D24/108, 104, 129; 604/6.14, 4.01; 422/45**

(56) **References Cited**

**U.S. PATENT DOCUMENTS**

D341,657 S \* 11/1993 Sever ..... D24/164  
D442,277 S \* 5/2001 Pryor ..... D24/110.6

6,503,451 B2 \* 1/2003 Ikeda et al. .... 422/45  
2002/0049401 A1 \* 4/2002 Ghelli et al. .... 604/6.14  
2002/0110485 A1 \* 8/2002 Stringer et al. .... 604/6.14

\* cited by examiner

*Primary Examiner*—Ian Simmons

(74) *Attorney, Agent, or Firm*—Margaret A. Kivinski

(57) **CLAIM**

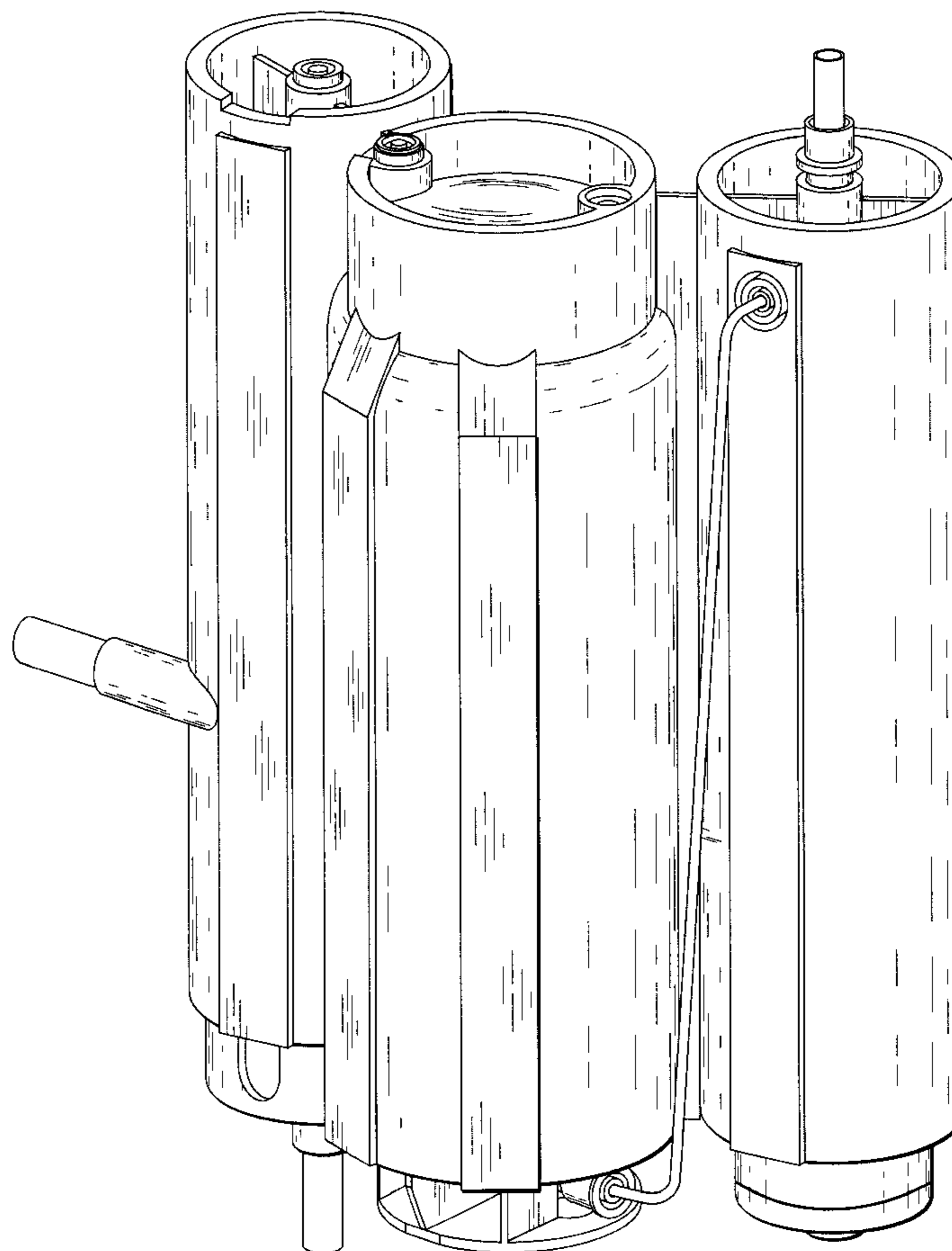
The ornamental design for a cartridge for generating gas-enriched fluids, as shown and described.

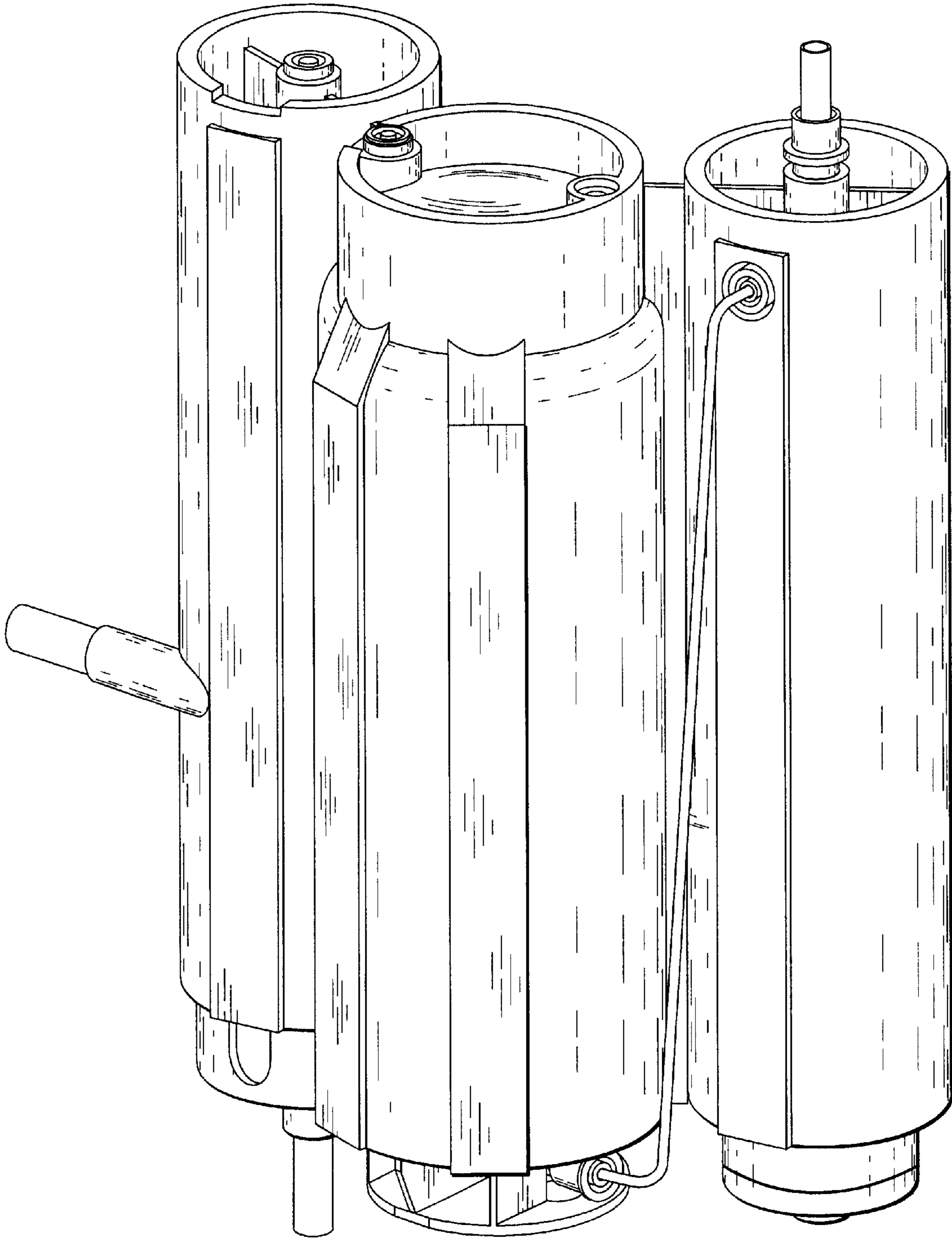
**DESCRIPTION**

FIG. 1 is a perspective view of a cartridge for generating gas-enriched fluids;  
FIG. 2 is a front view thereof;  
FIG. 3 is a left side view thereof;  
FIG. 4 is a top view thereof;  
FIG. 5 is a rear view thereof;  
FIG. 6 is a right side view thereof; and,  
FIG. 7 is a bottom view thereof.

The broken line showing in the FIGS. 1 through 7 are for illustrative purposes only and forms on part of the claimed design.

**1 Claim, 7 Drawing Sheets**





*Fig. 1*

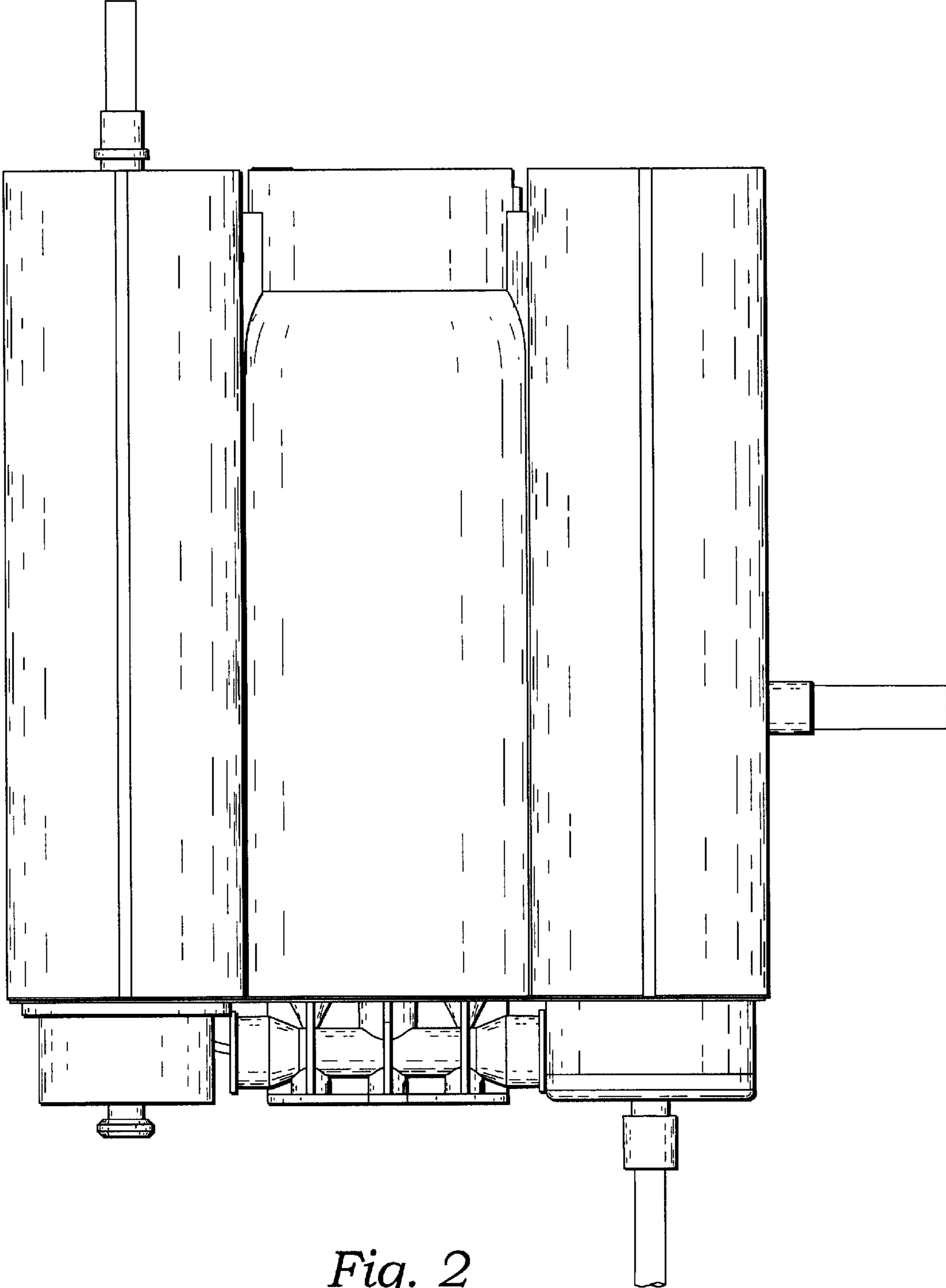
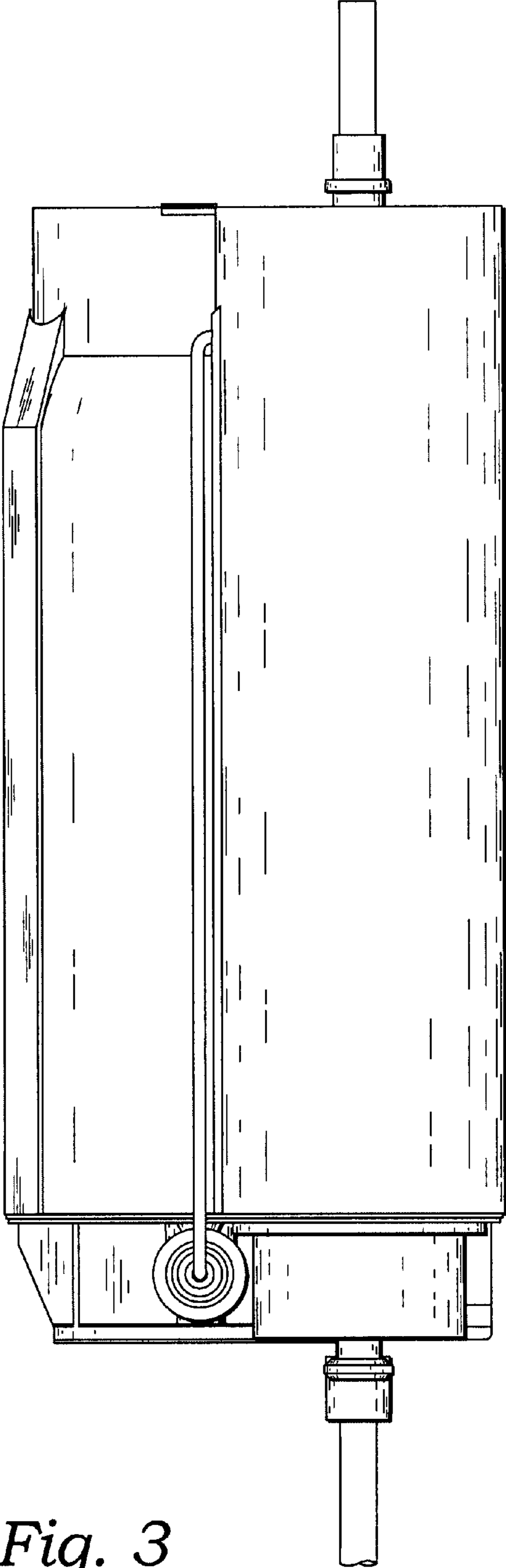
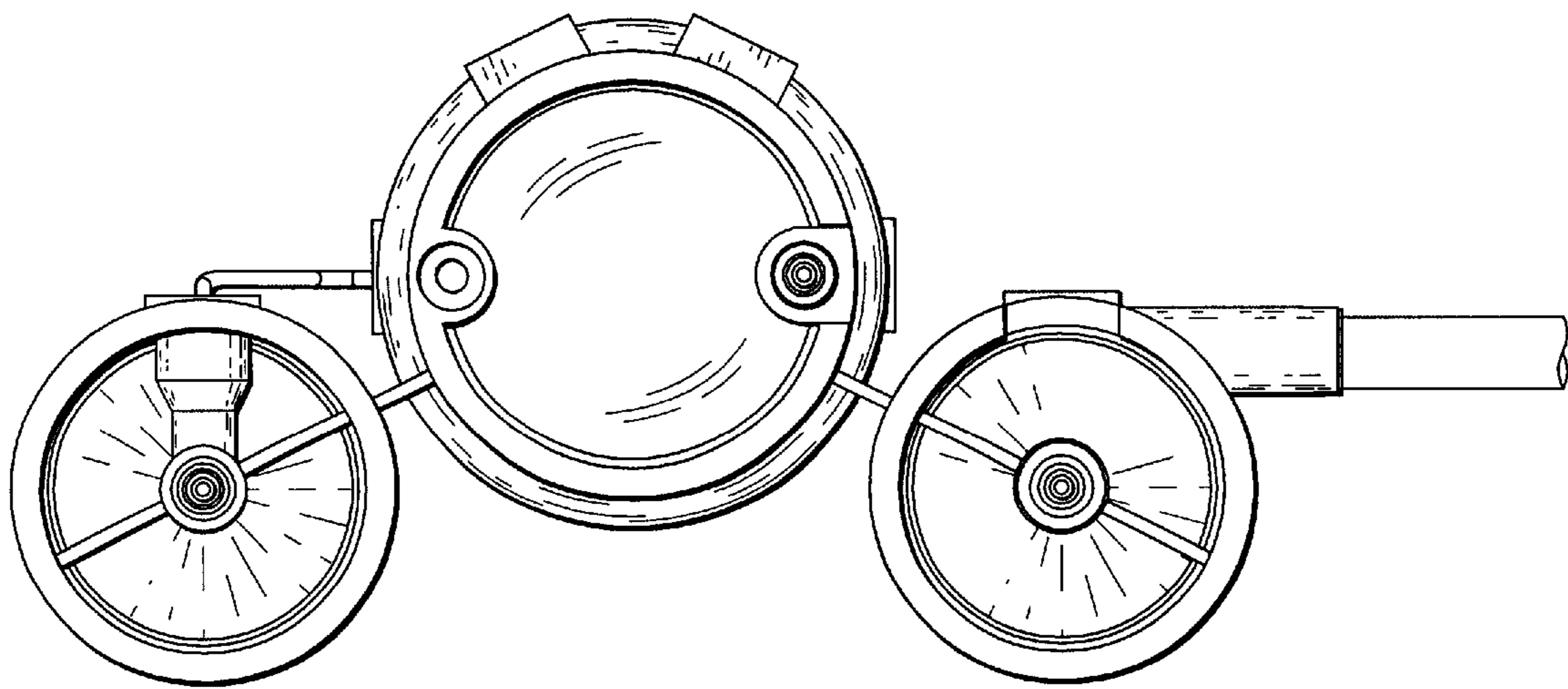


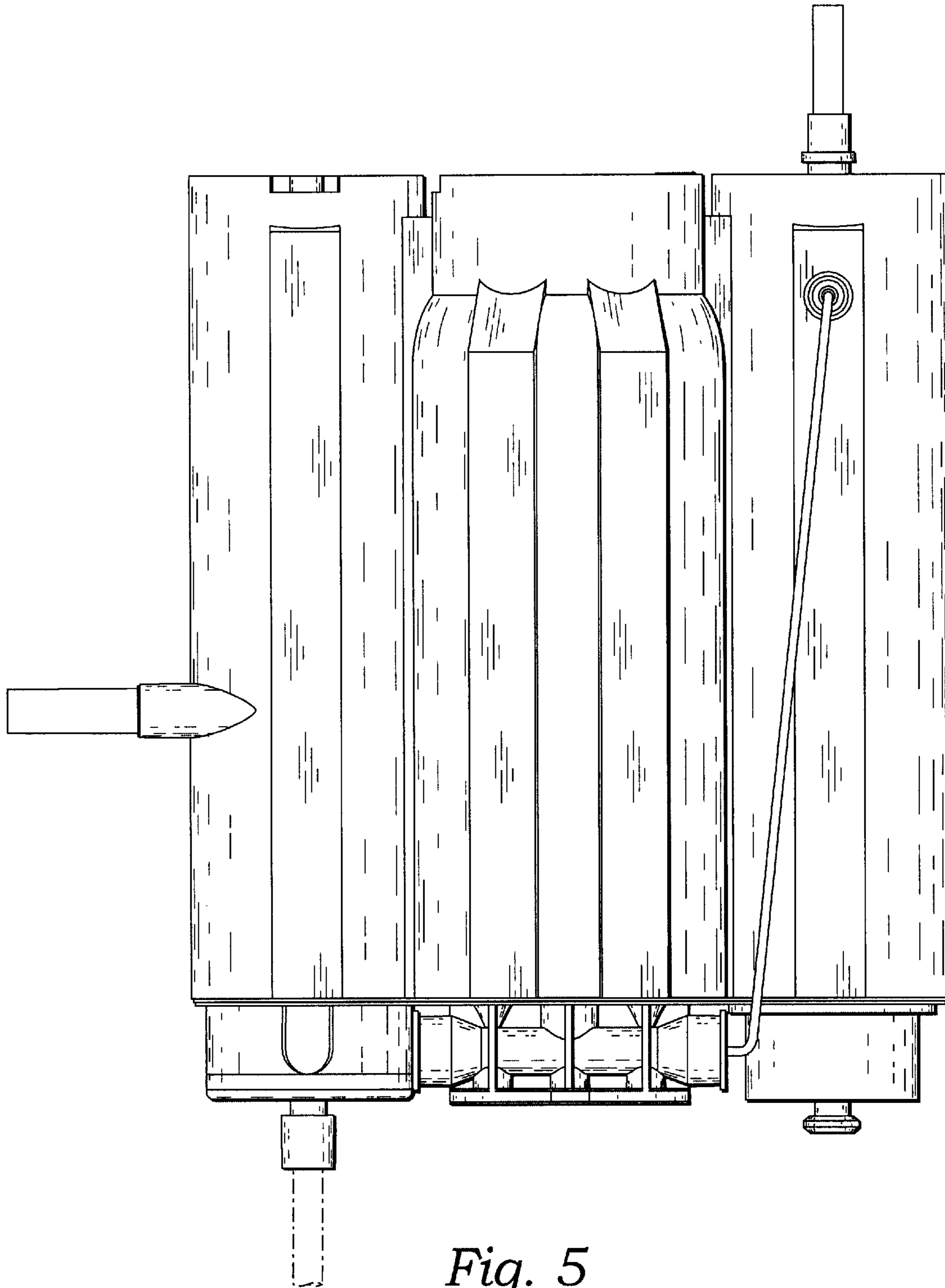
Fig. 2



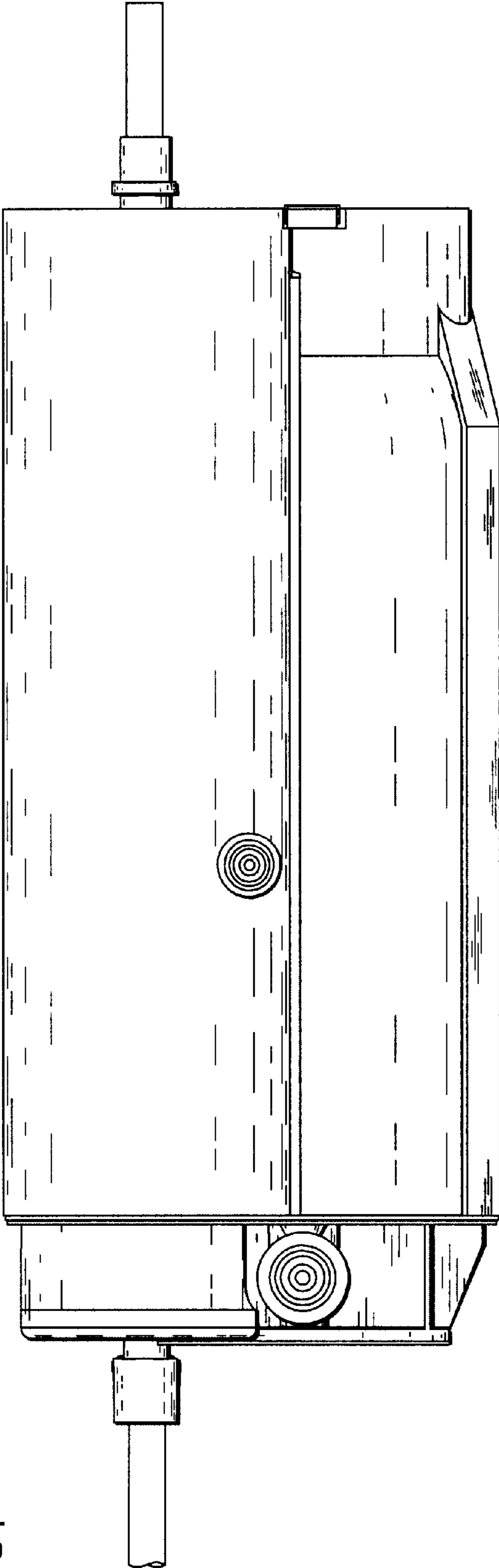
*Fig. 3*



*Fig. 4*

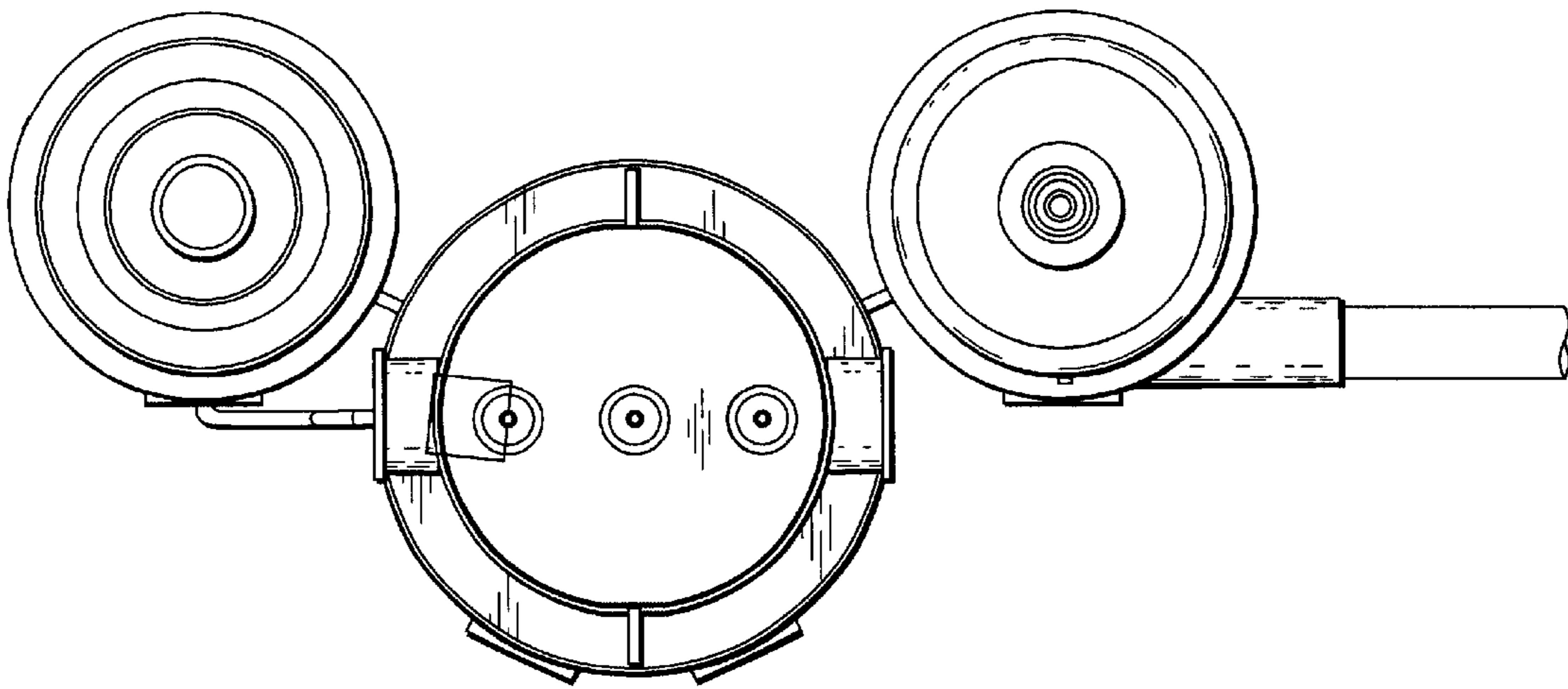


*Fig. 5*



*Fig. 6*





*Fig. 7*