

US00D497987S1

(12) **United States Design Patent**
Marshall

(10) **Patent No.:** **US D497,987 S**

(45) **Date of Patent:** **** Nov. 2, 2004**

(54) **MOTOR HOUSING FOR A CEILING FAN**

(76) **Inventor:** **John C. Marshall**, 6249 Thibodeaux Rd., Greenwell Springs, LA (US) 70739

(**) **Term:** **14 Years**

(21) **Appl. No.:** **29/175,556**

(22) **Filed:** **Feb. 7, 2003**

(51) **LOC (7) Cl.** **23-04**

(52) **U.S. Cl.** **D23/411**

(58) **Field of Search** D23/411, 377,
D23/379, 385; 416/5; 392/364

(56) **References Cited**

U.S. PATENT DOCUMENTS

D450,114 S	*	11/2001	Hsieh	D23/411
D480,801 S	*	10/2003	Humphrey	D23/411
D484,967 S	*	1/2004	Huang	D23/411

* cited by examiner

Primary Examiner—Lisa Lichtenstein

(74) *Attorney, Agent, or Firm*—Liniak, Berenato & White, LLC

(57) **CLAIM**

The ornamental design for a motor housing for a ceiling fan, as shown and described.

DESCRIPTION

FIG. 1 is a bottom plan view of a motor housing for a ceiling fan;

FIG. 2 is an enlarged bottom plan view thereof; and,

FIG. 3 is an enlarged top perspective view thereof.

The broken line showing is for illustrative purposes only and forms no part of the claimed invention.

1 Claim, 3 Drawing Sheets

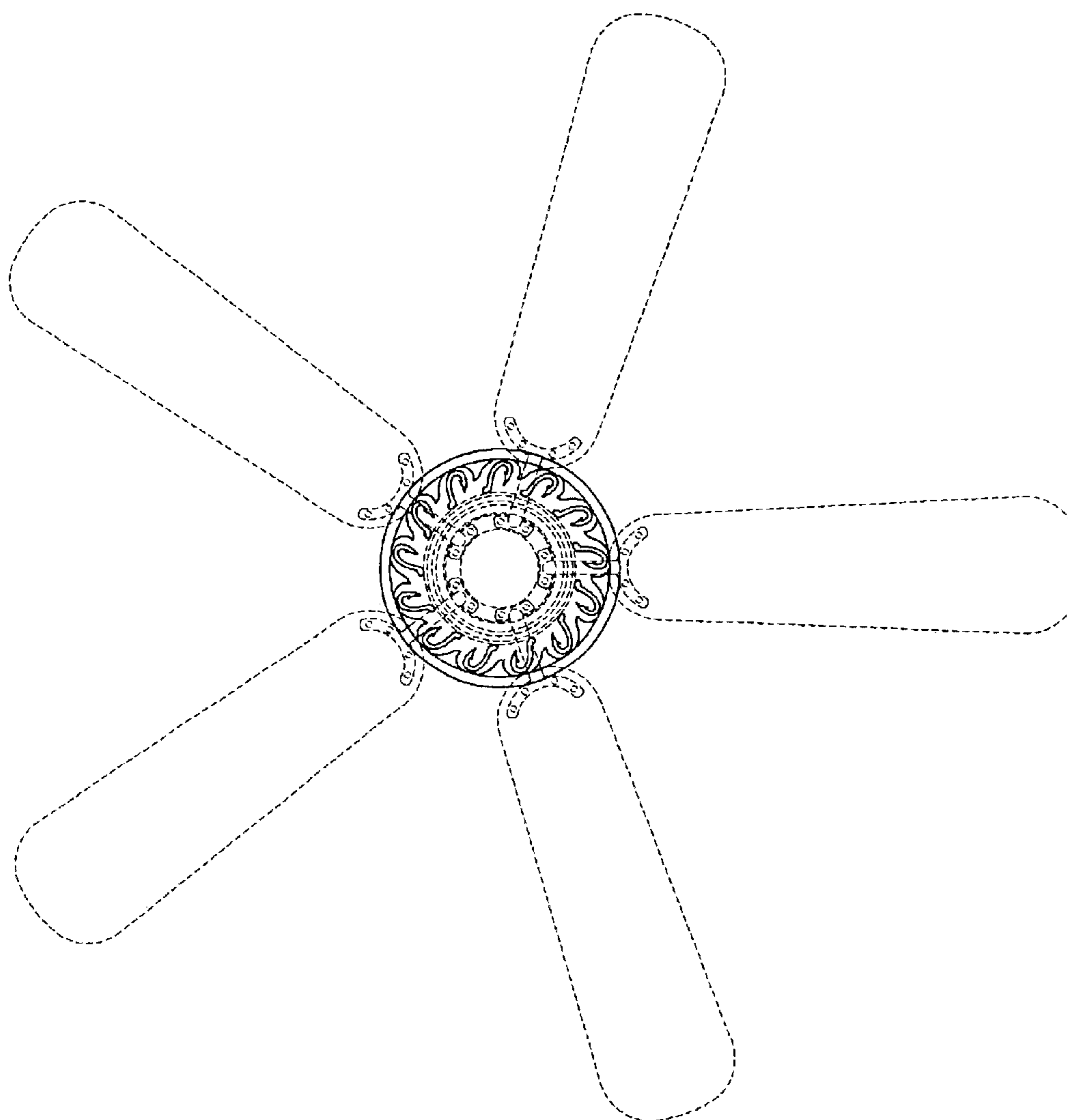


Fig. 1

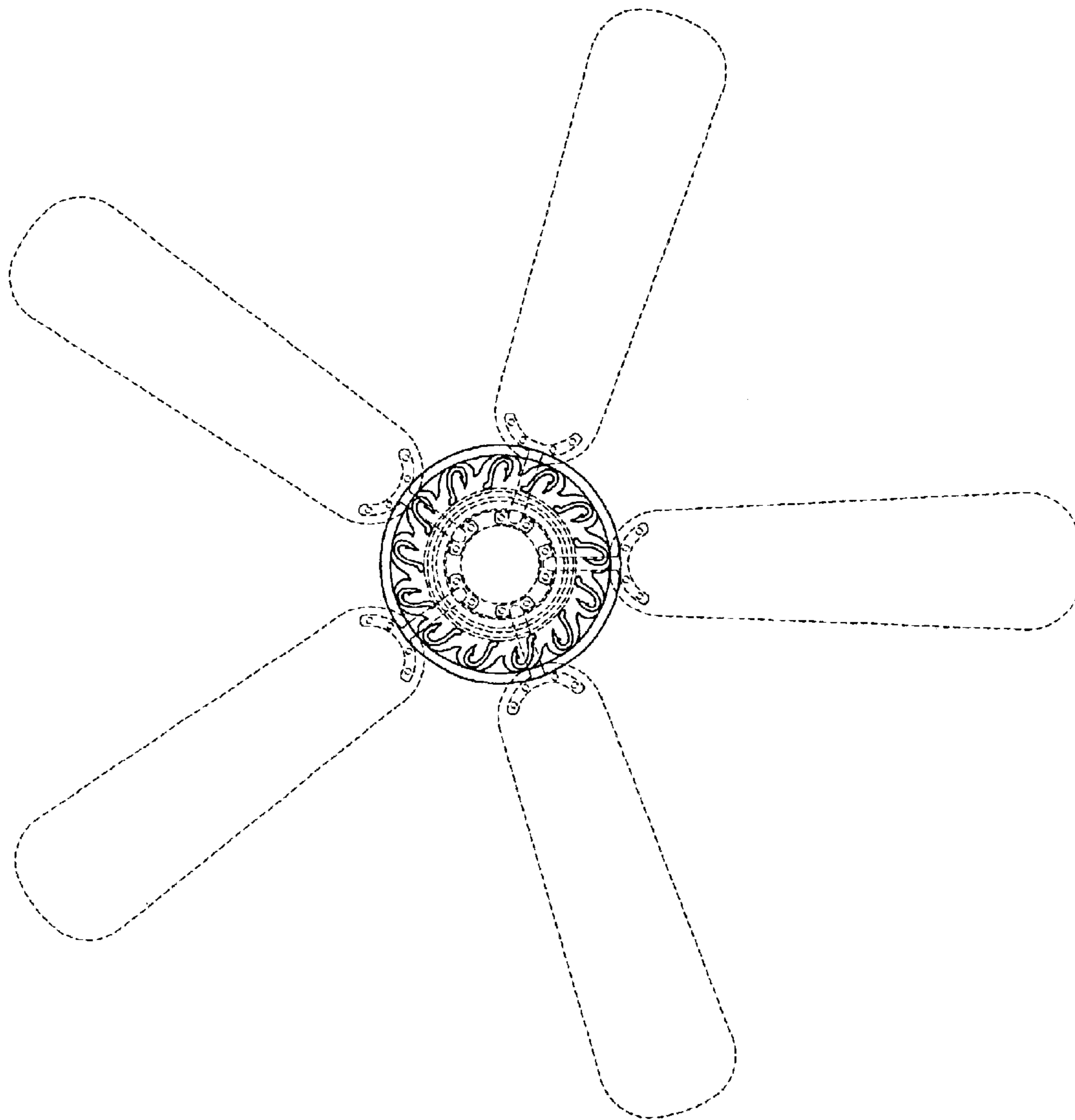


Fig. 2

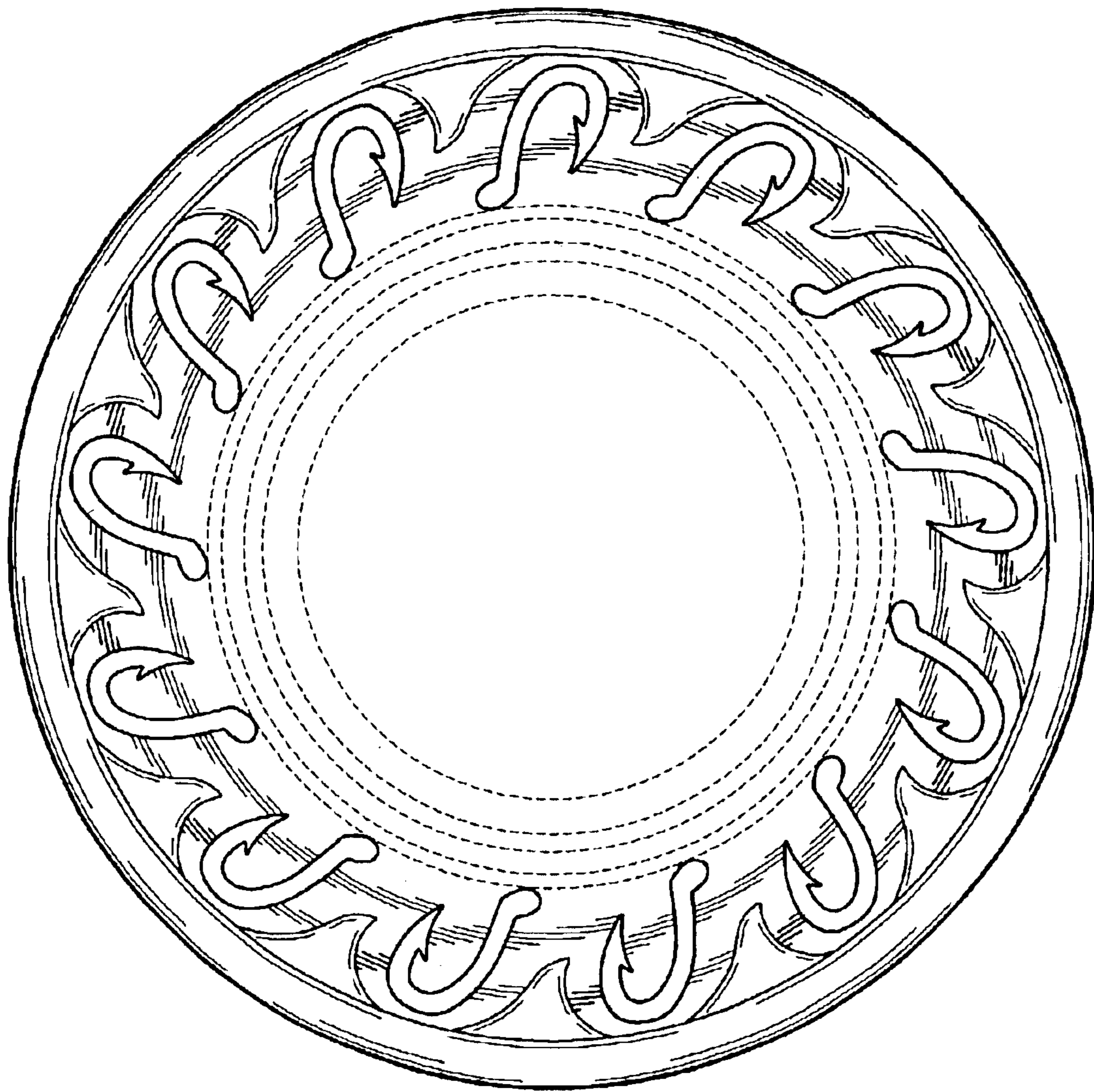


Fig. 3

