



US00D497976S1

(12) **United States Design Patent**
Goetz et al.

(10) **Patent No.:** **US D497,976 S**
(45) **Date of Patent:** **** Nov. 2, 2004**

(54) **SHUT-OFF VALVE ACCESSORY FOR WATER HOSE**

(75) Inventors: **Michael Goetz**, Somerset, PA (US);
Douglas Shaulis, Somerset, PA (US)

(73) Assignee: **Gilmour, Inc.**, Newark, DE (US)

(**) Term: **14 Years**

(21) Appl. No.: **29/199,991**

(22) Filed: **Feb. 23, 2004**

(51) **LOC (7) Cl.** **23-01**

(52) **U.S. Cl.** **D23/245; D23/248**

(58) **Field of Search** **D23/233, 245,**
D23/247-250; 251/309-310, 315, 315.14,
335.5; 137/170-174, 219, 625.22

(56) **References Cited**

U.S. PATENT DOCUMENTS

2,599,274	A	*	6/1952	Murnin, Jr.	251/309
2,738,158	A	*	3/1956	Fuglie	251/309
D183,042	S	*	6/1958	Fugli	D23/245
4,418,887	A	*	12/1983	Tubaro	251/152
D285,478	S	*	9/1986	Hengesbach	D23/245

D288,229	S	*	2/1987	Beal et al.	D23/262
4,960,262	A	*	10/1990	Hashimoto et al.	251/315.1
5,090,447	A	*	2/1992	Lewis et al.	137/559
D331,964	S	*	12/1992	Hengesbach	D23/245
5,213,308	A	*	5/1993	Jeromson et al.	251/95
6,463,955	B2	*	10/2002	Hasak et al.	137/553

* cited by examiner

Primary Examiner—Nelson C. Holtje

(74) *Attorney, Agent, or Firm*—Victor A. Henzi

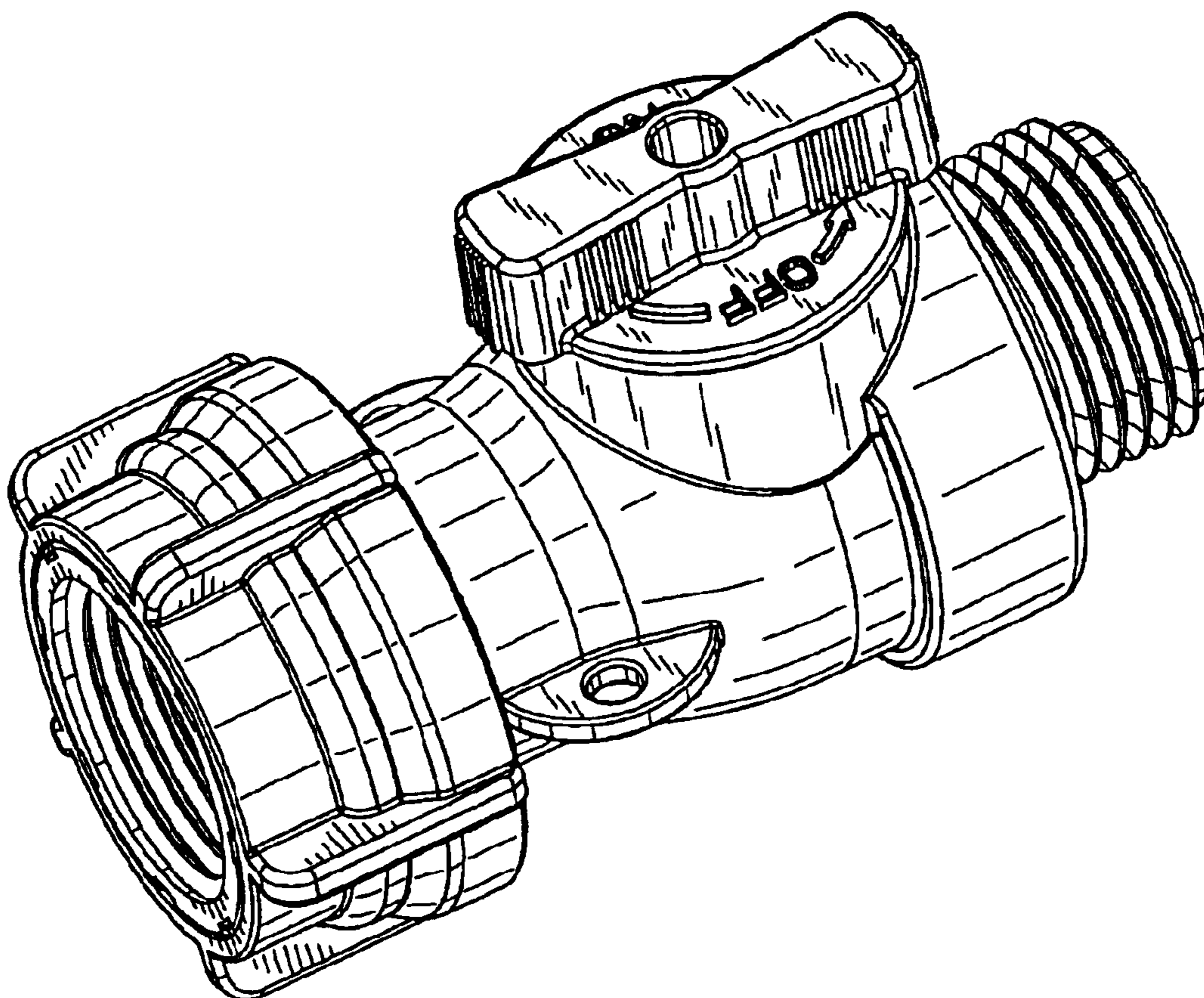
(57) **CLAIM**

The ornamental design for a shut-off valve accessory for water hose, as shown and described.

DESCRIPTION

FIG. 1 is a front left perspective view of the present new design for a shut-off valve for water hose; FIG. 2 is a left elevational view thereof; FIG. 3 is a right elevational view thereof; FIG. 4 is a top plan view thereof; FIG. 5 is a bottom plan view thereof; FIG. 6 is front elevational view thereof; and, FIG. 7 is a rear elevational view thereof.

1 Claim, 6 Drawing Sheets



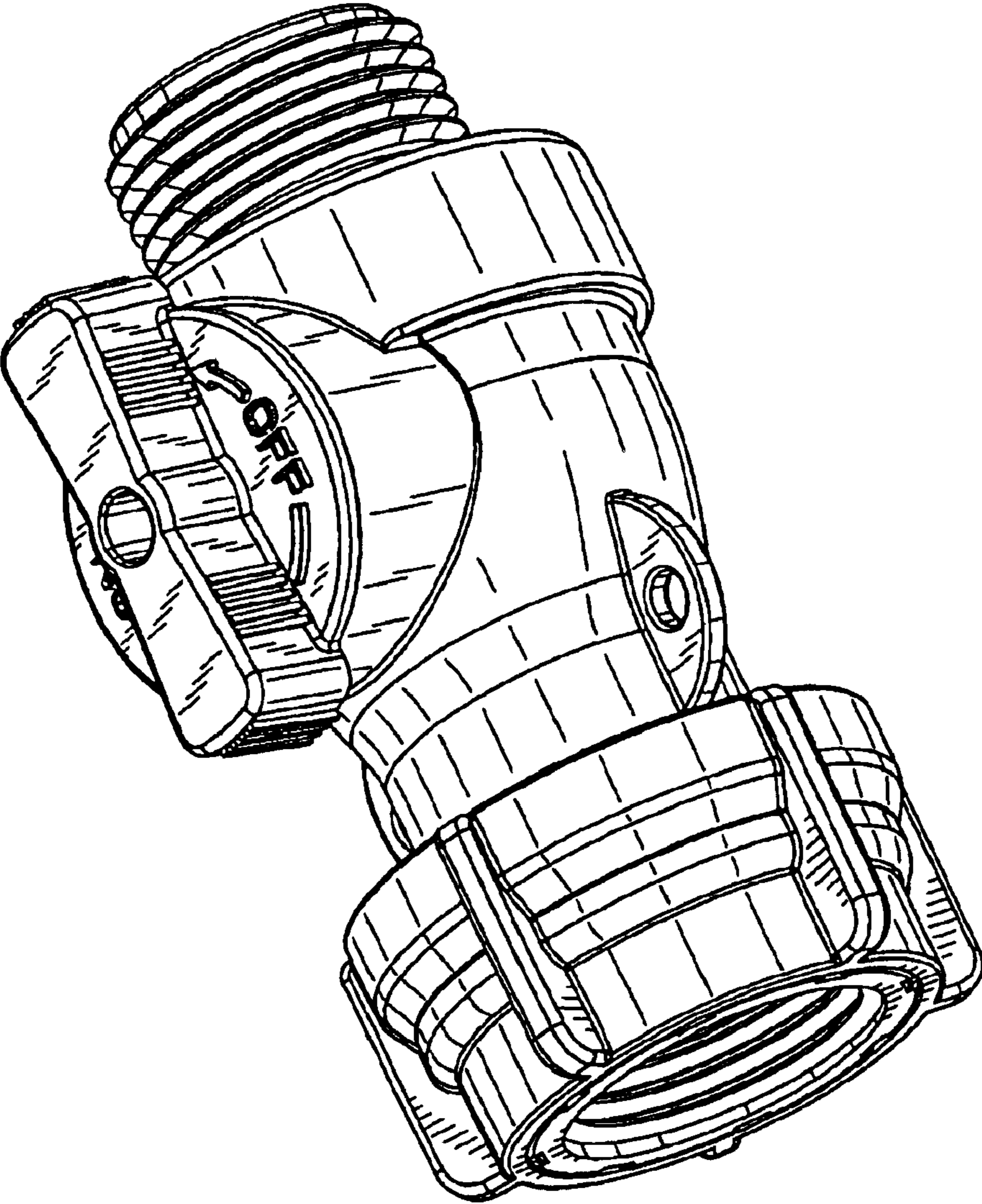


FIG. 1

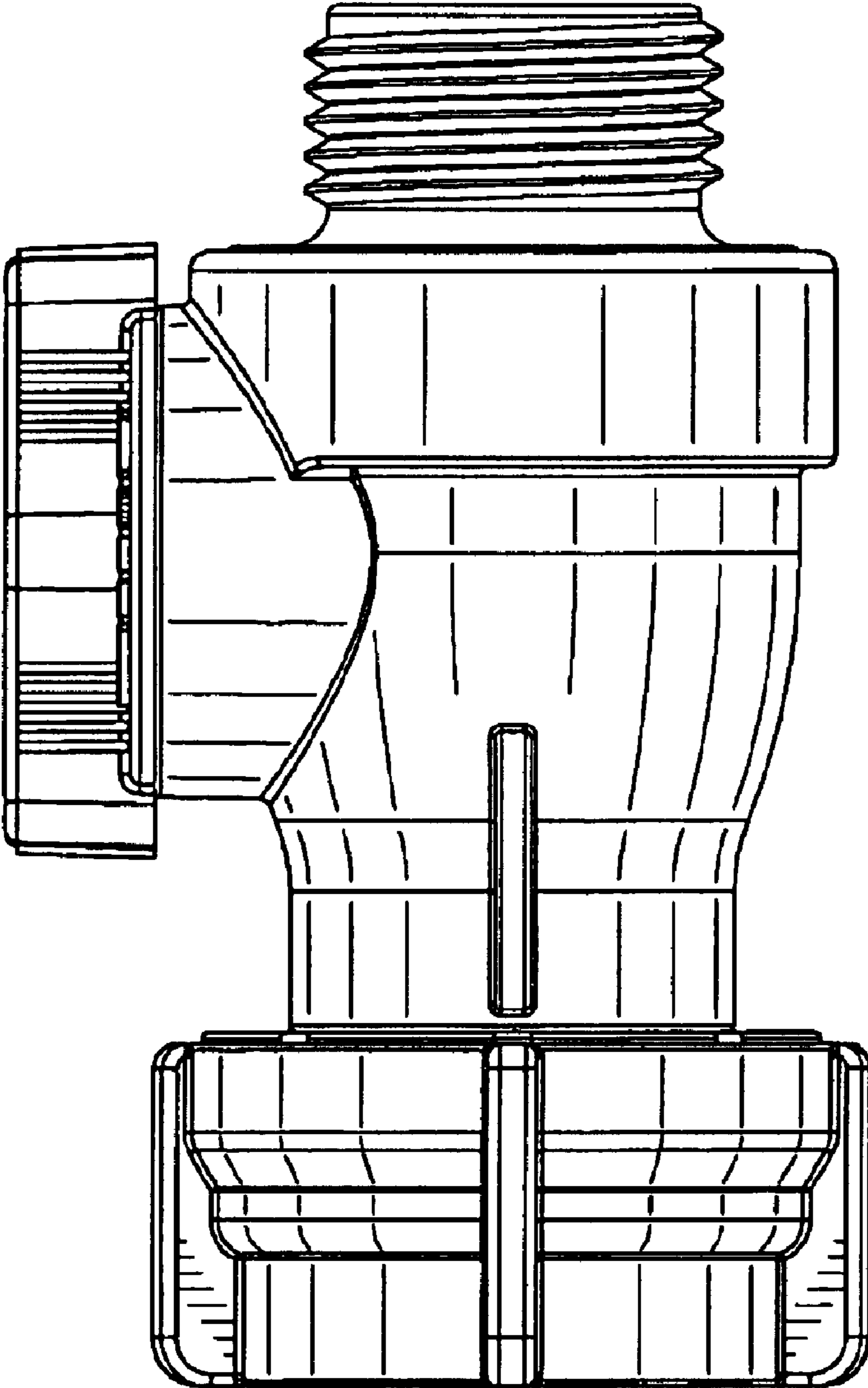


FIG. 2

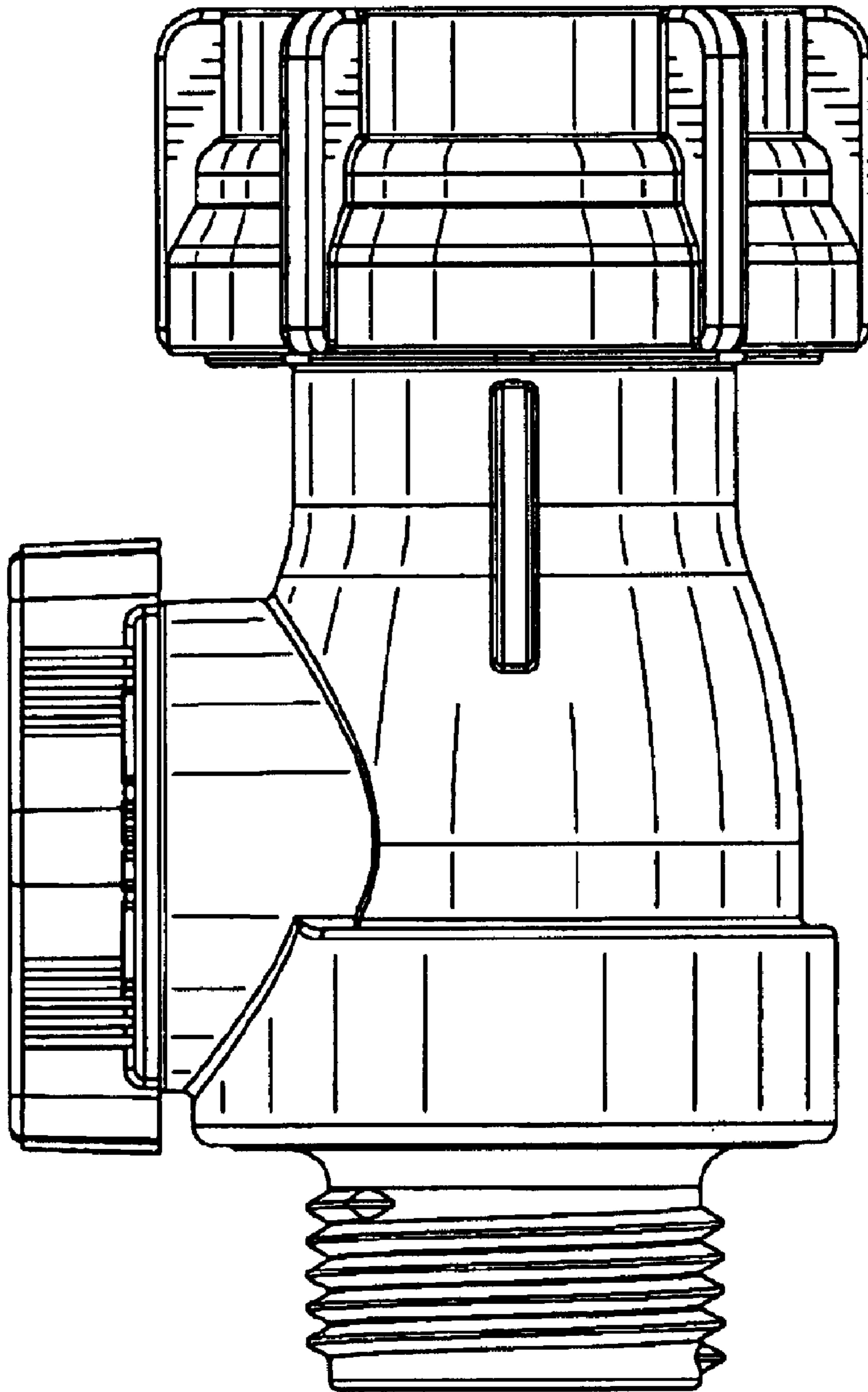


FIG. 3

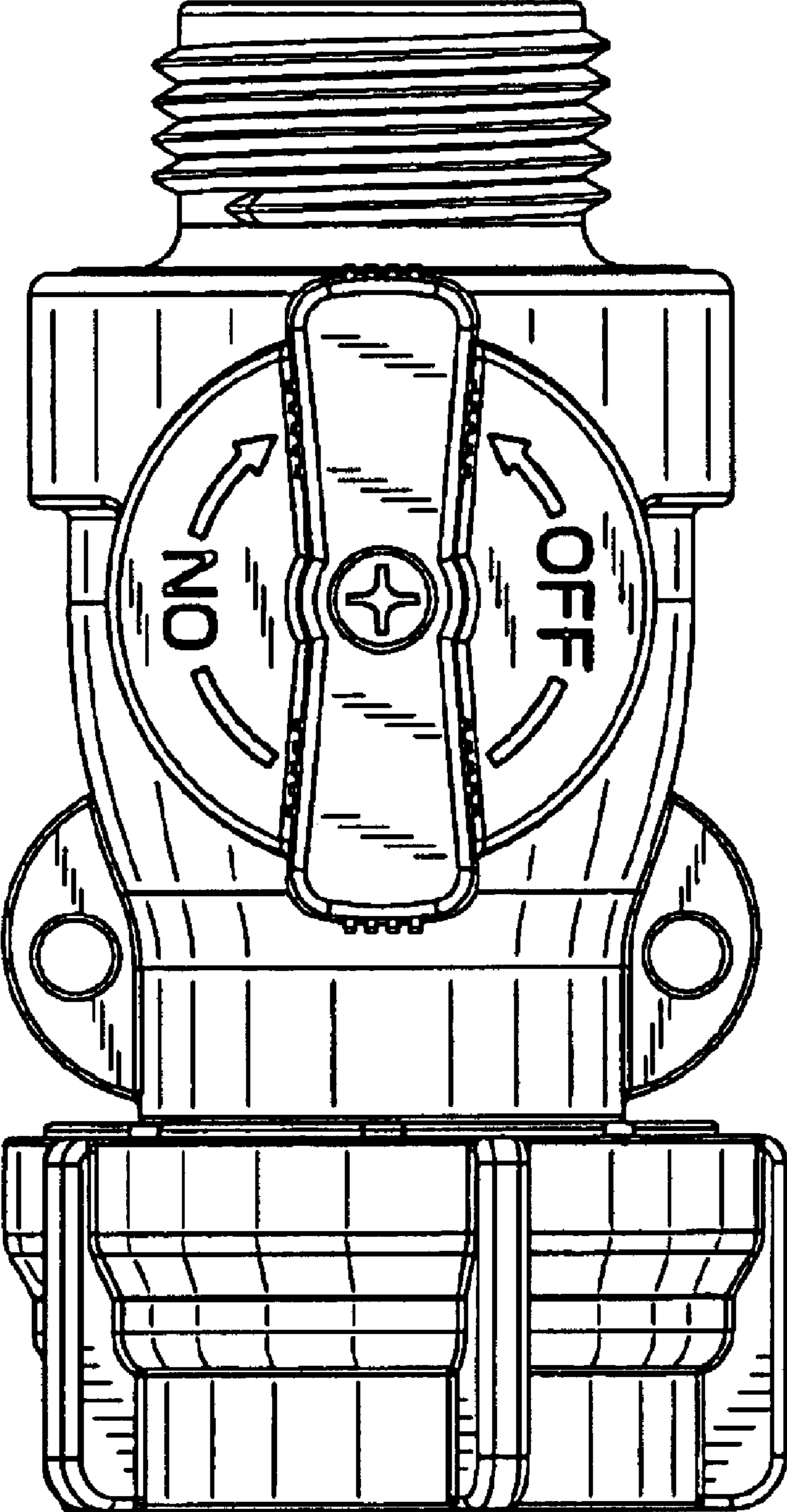


FIG. 4

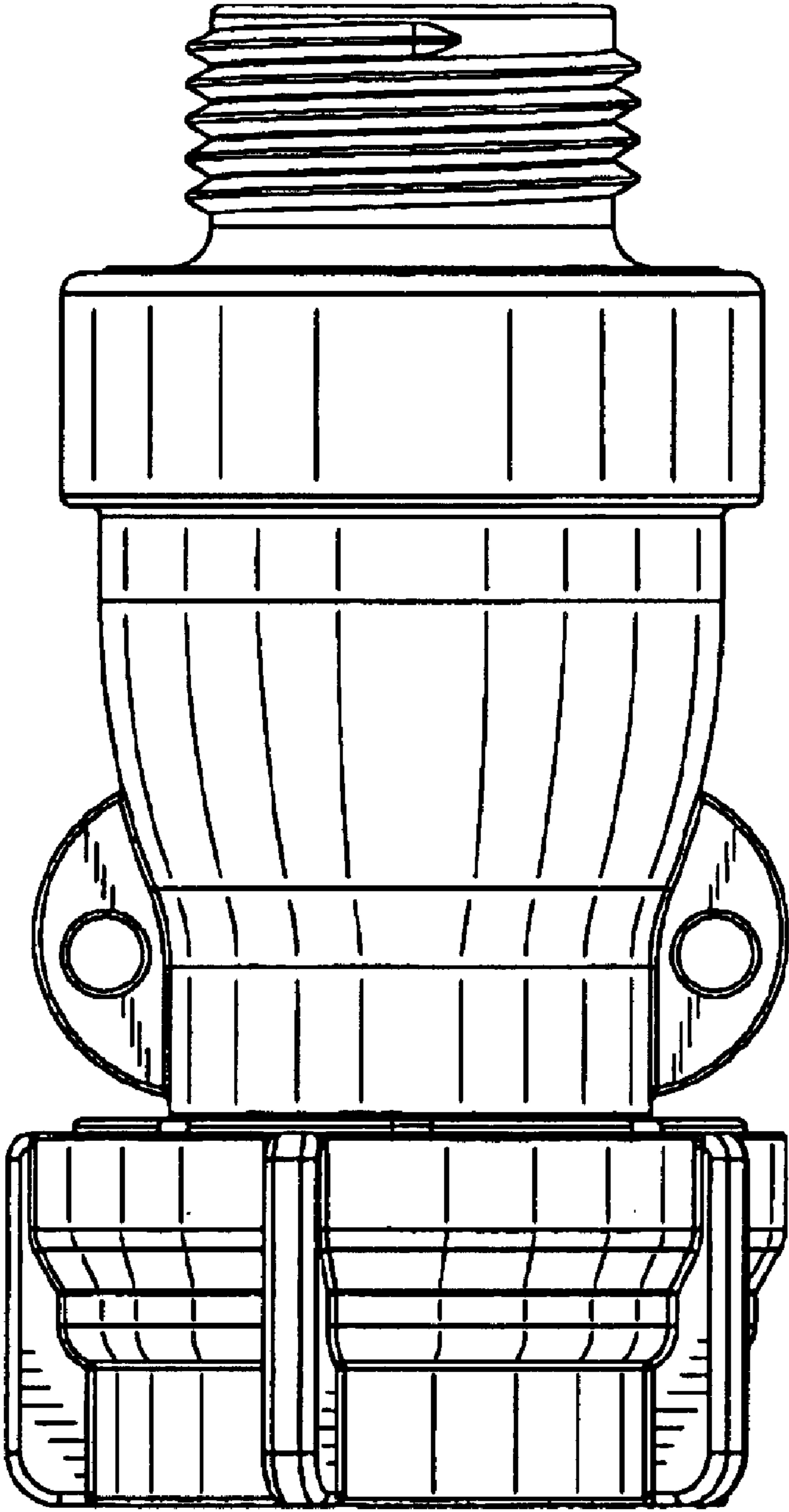


FIG. 5

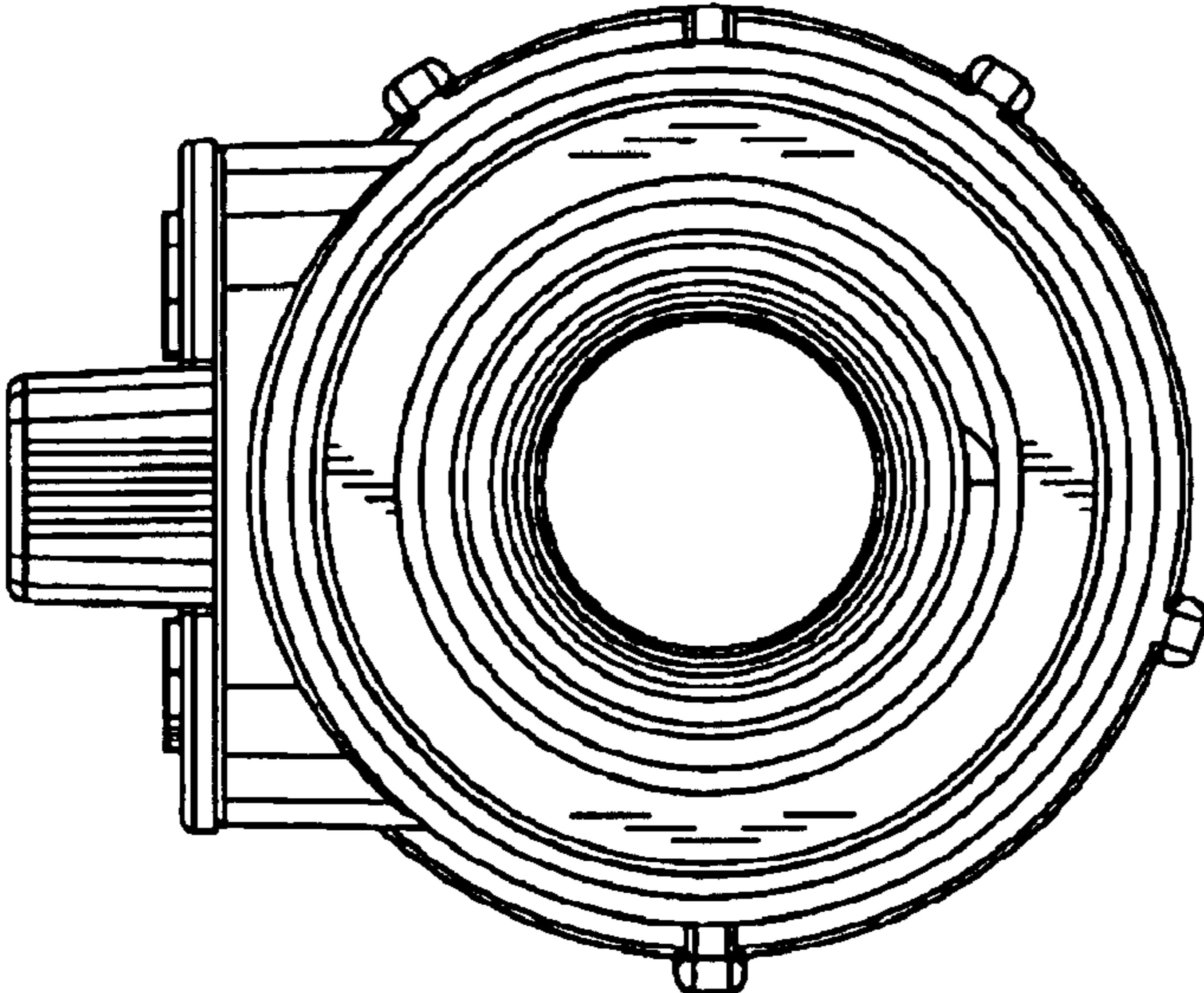


FIG. 7

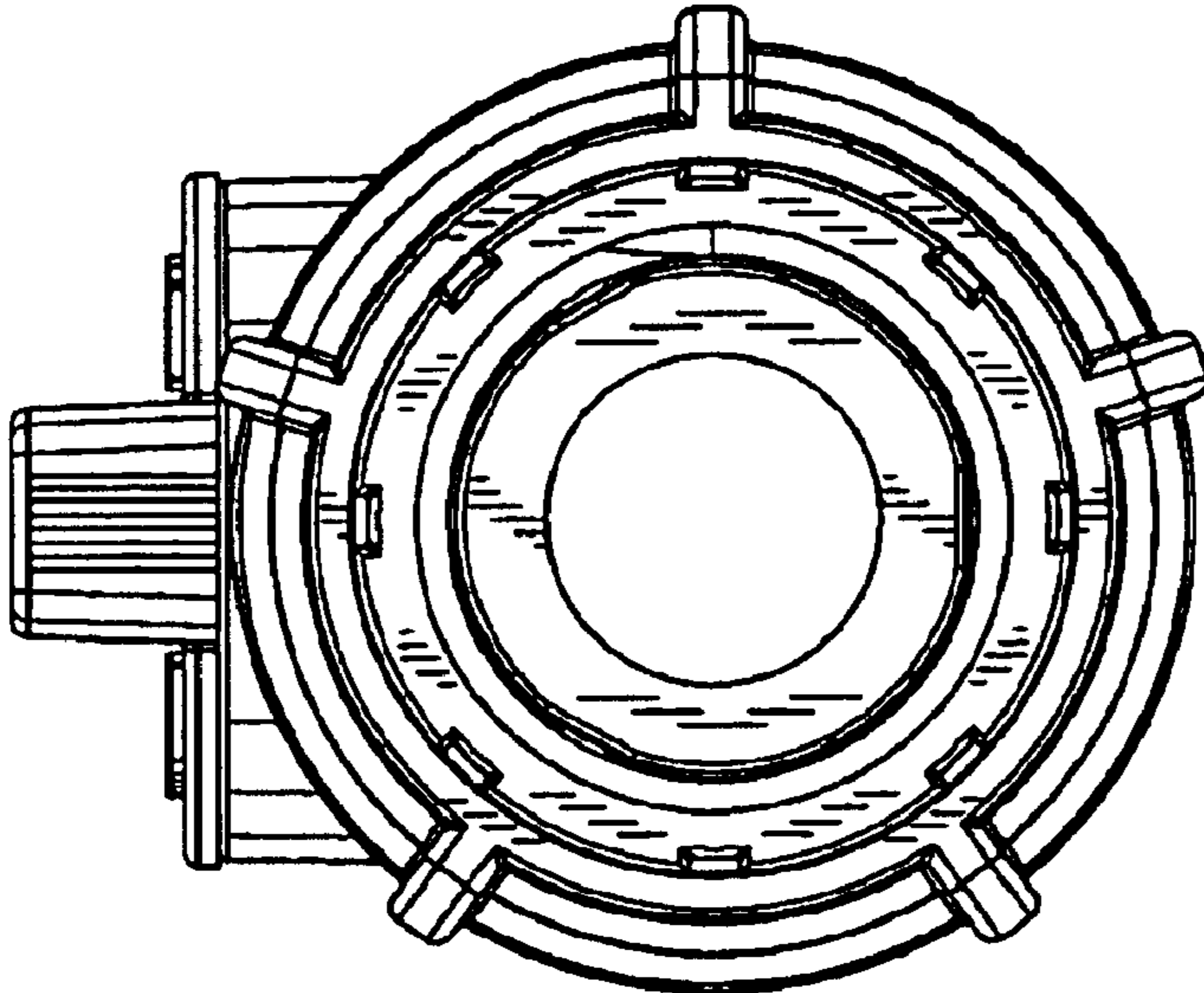


FIG. 6