



US00D497975S1

(12) **United States Design Patent**  
**Chen**

(10) **Patent No.:** **US D497,975 S**  
(45) **Date of Patent:** **\*\* Nov. 2, 2004**

(54) **WATER PISTOL FOR USE IN MOTOR CLEANING**

*Primary Examiner*—Robin V. Taylor  
(74) *Attorney, Agent, or Firm*—Charles E. Baxley

(76) **Inventor:** **Chin-Yuan Chen**, P. O. Box 453,  
Taichung (TW)

(57) **CLAIM**

I claim the ornamental design for a water pistol for use in motor cleaning, as shown and described.

(\*\*) **Term:** **14 Years**

(21) **Appl. No.:** **29/185,737**

**DESCRIPTION**

(22) **Filed:** **Jul. 3, 2003**

(51) **LOC (7) Cl.** ..... **23-01**

FIG. 1 is an upper perspective view of the water pistol for use in motor cleaning showing my design.

(52) **U.S. Cl.** ..... **D23/225**

FIG. 2 is a front view thereof;

(58) **Field of Search** ..... D23/213, 223,  
D23/225, 226; 239/302, 308, 310, 525

FIG. 3 is a back view thereof;

FIG. 4 is a side view thereof;

(56) **References Cited**

**U.S. PATENT DOCUMENTS**

FIG. 5 is an opposite side view thereof;

FIG. 6 is a top view thereof; and,

FIG. 7 is a bottom view thereof.

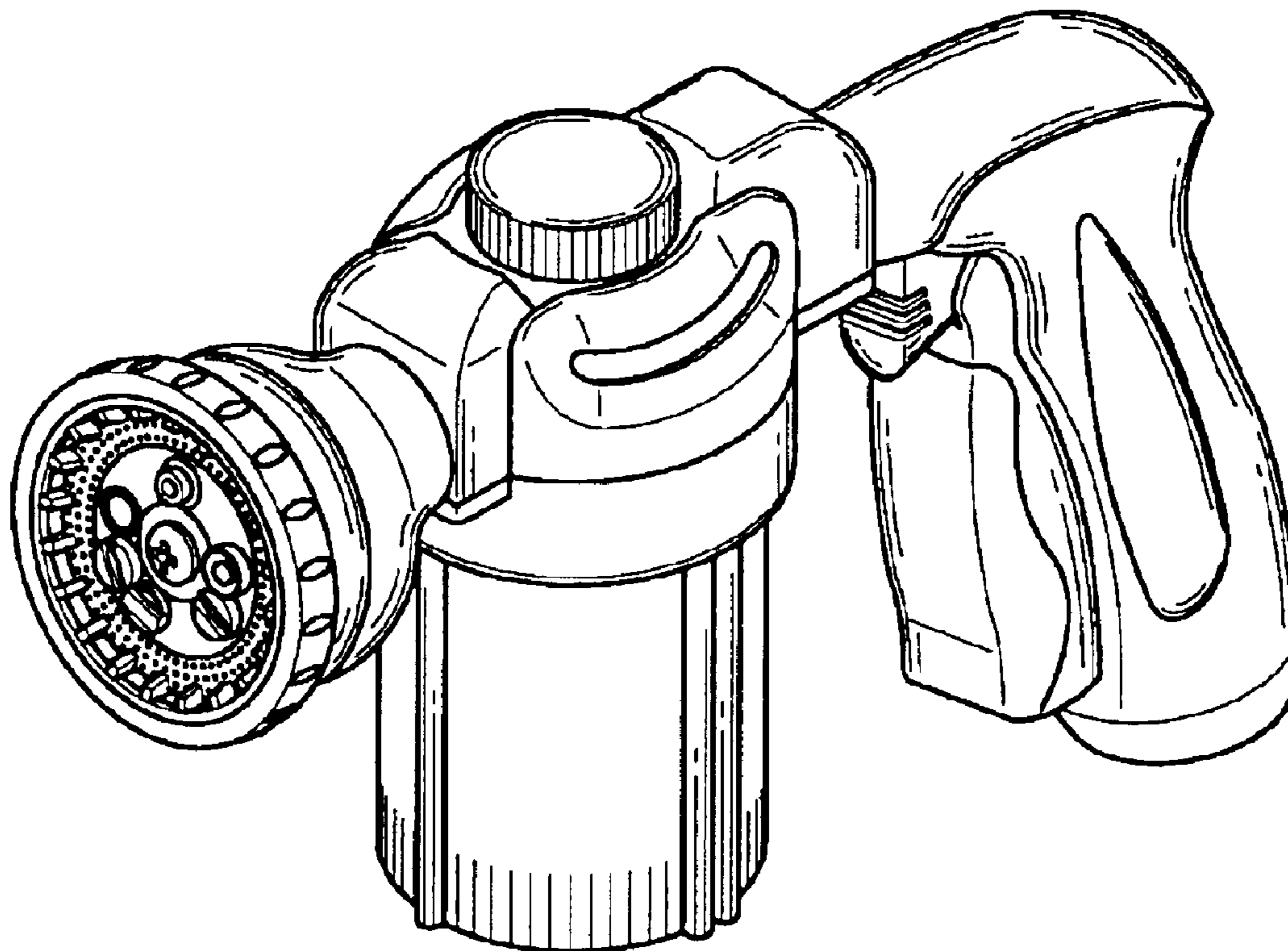
D459,438 S \* 6/2002 Knowles ..... D23/225

D461,226 S \* 8/2002 Hunter ..... D23/225

D470,569 S \* 2/2003 Chen ..... D23/225

\* cited by examiner

**1 Claim, 4 Drawing Sheets**



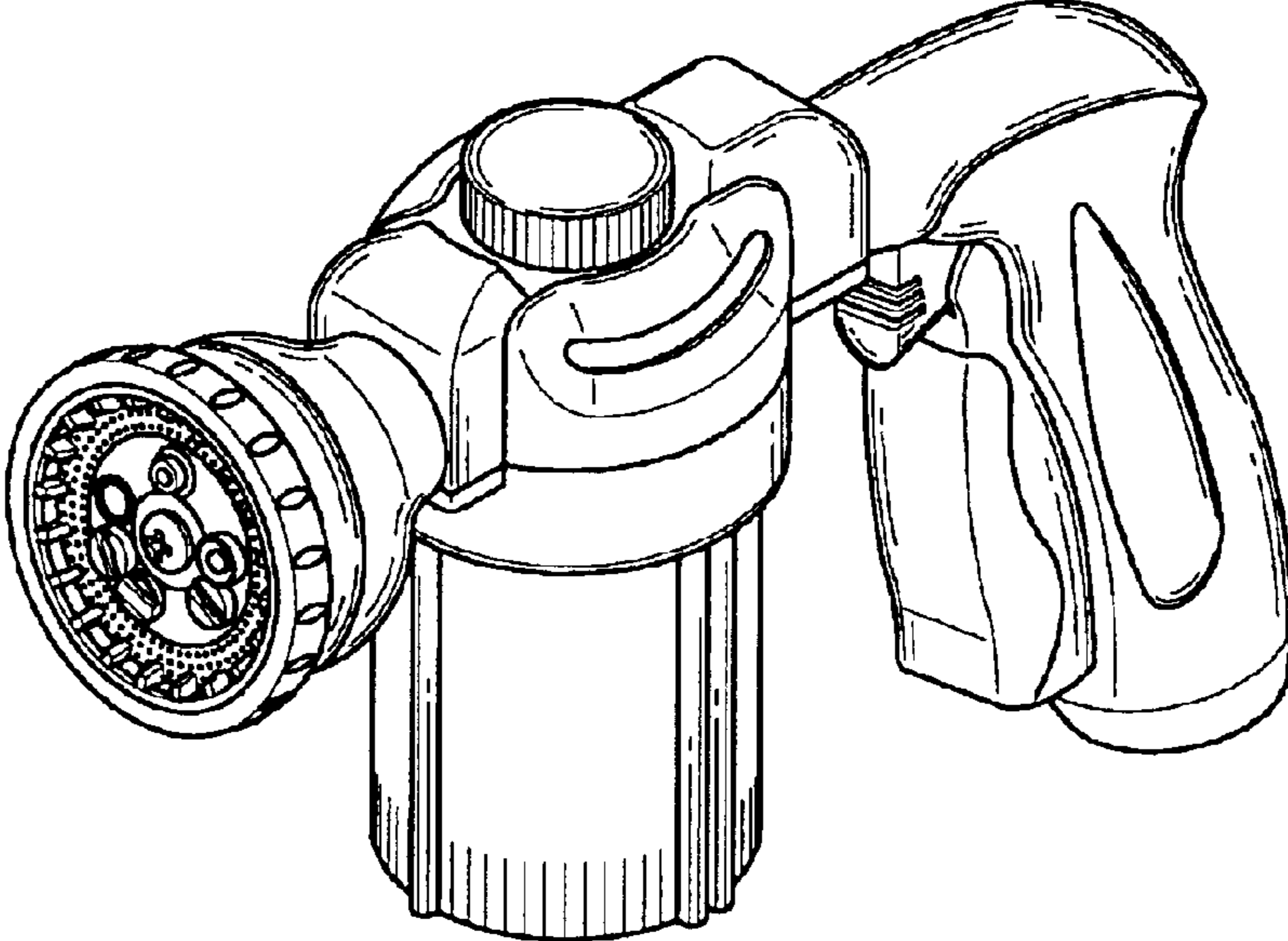


FIG.1

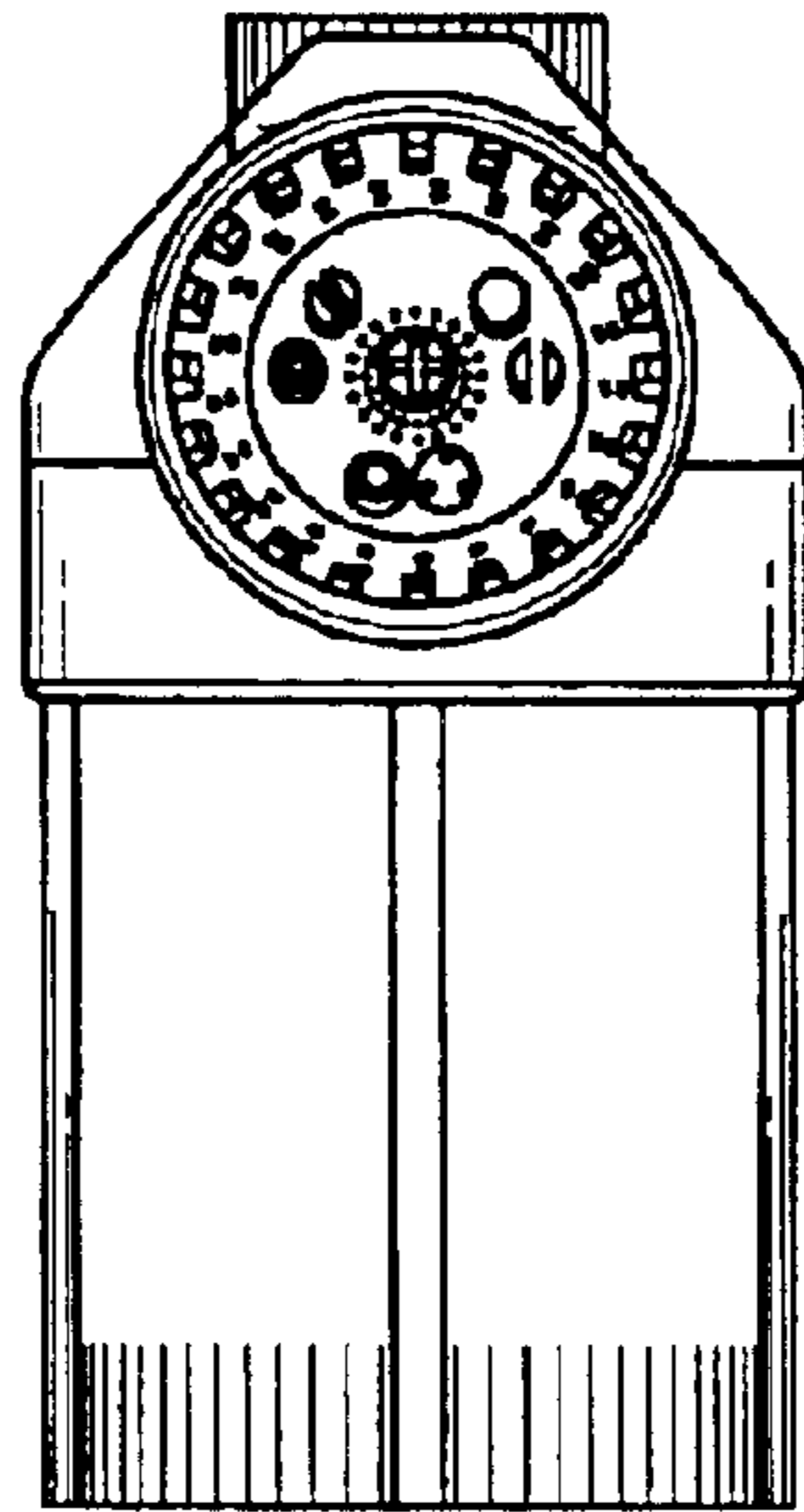


FIG. 2

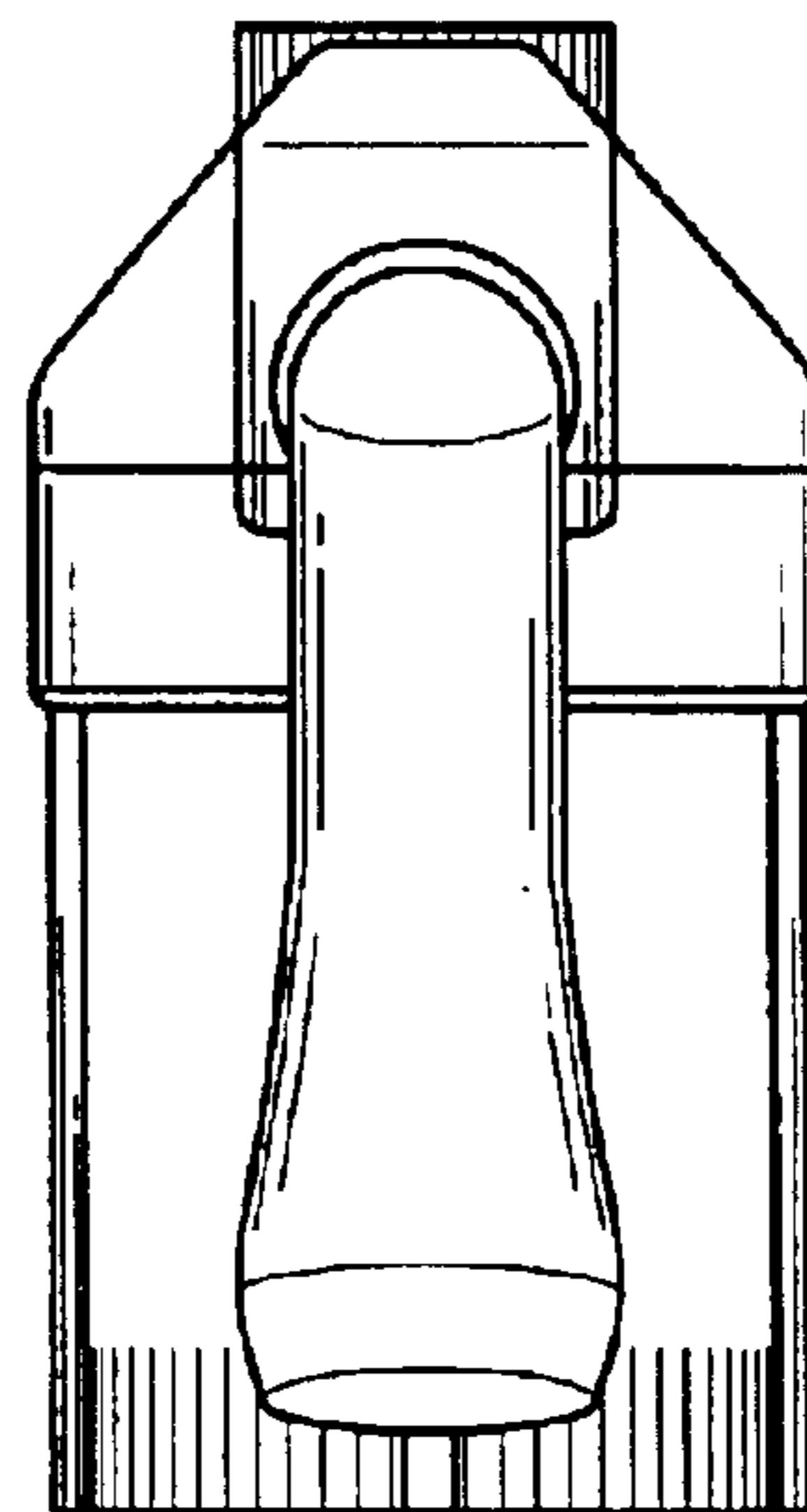


FIG. 3

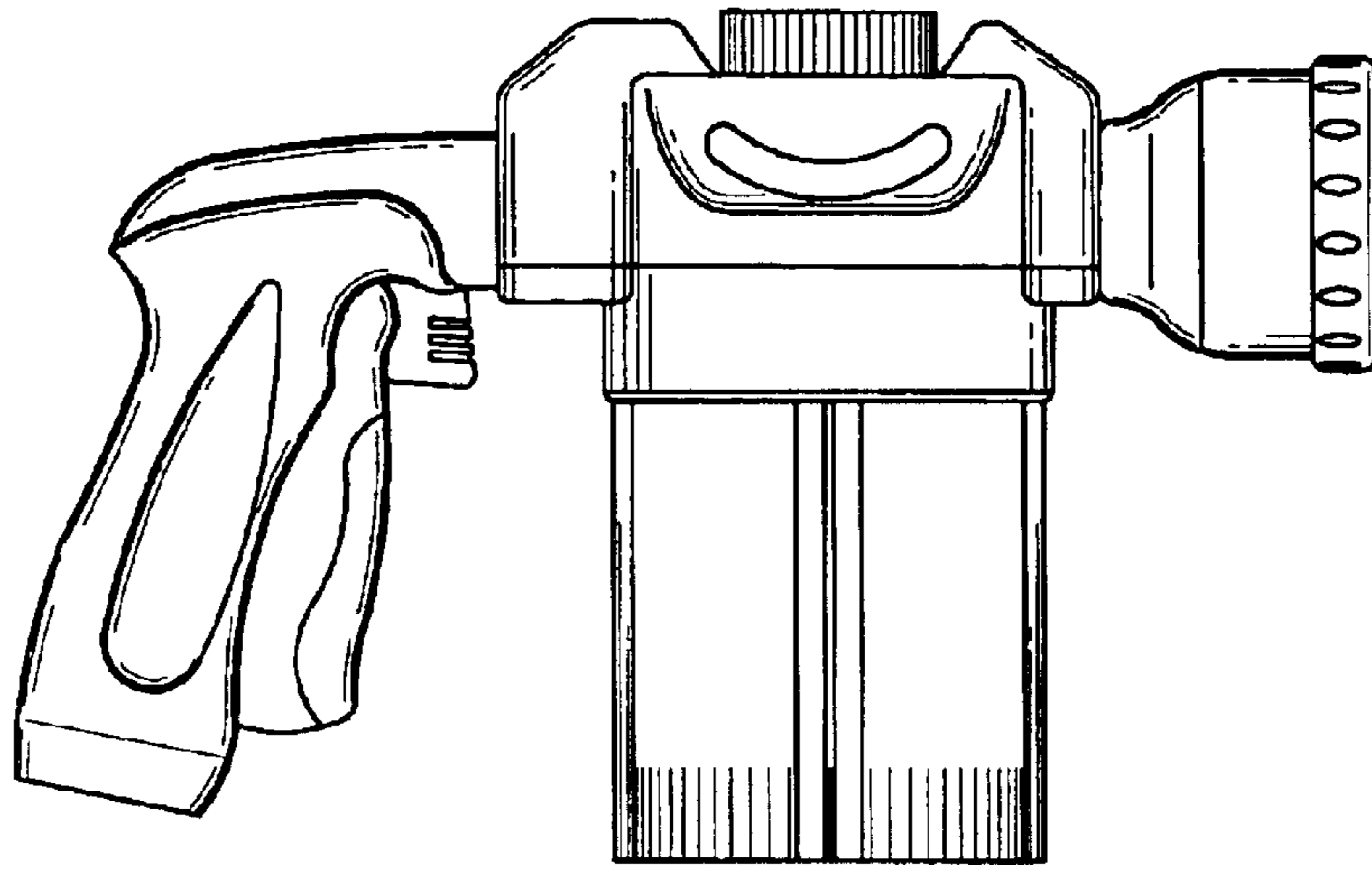


FIG. 4

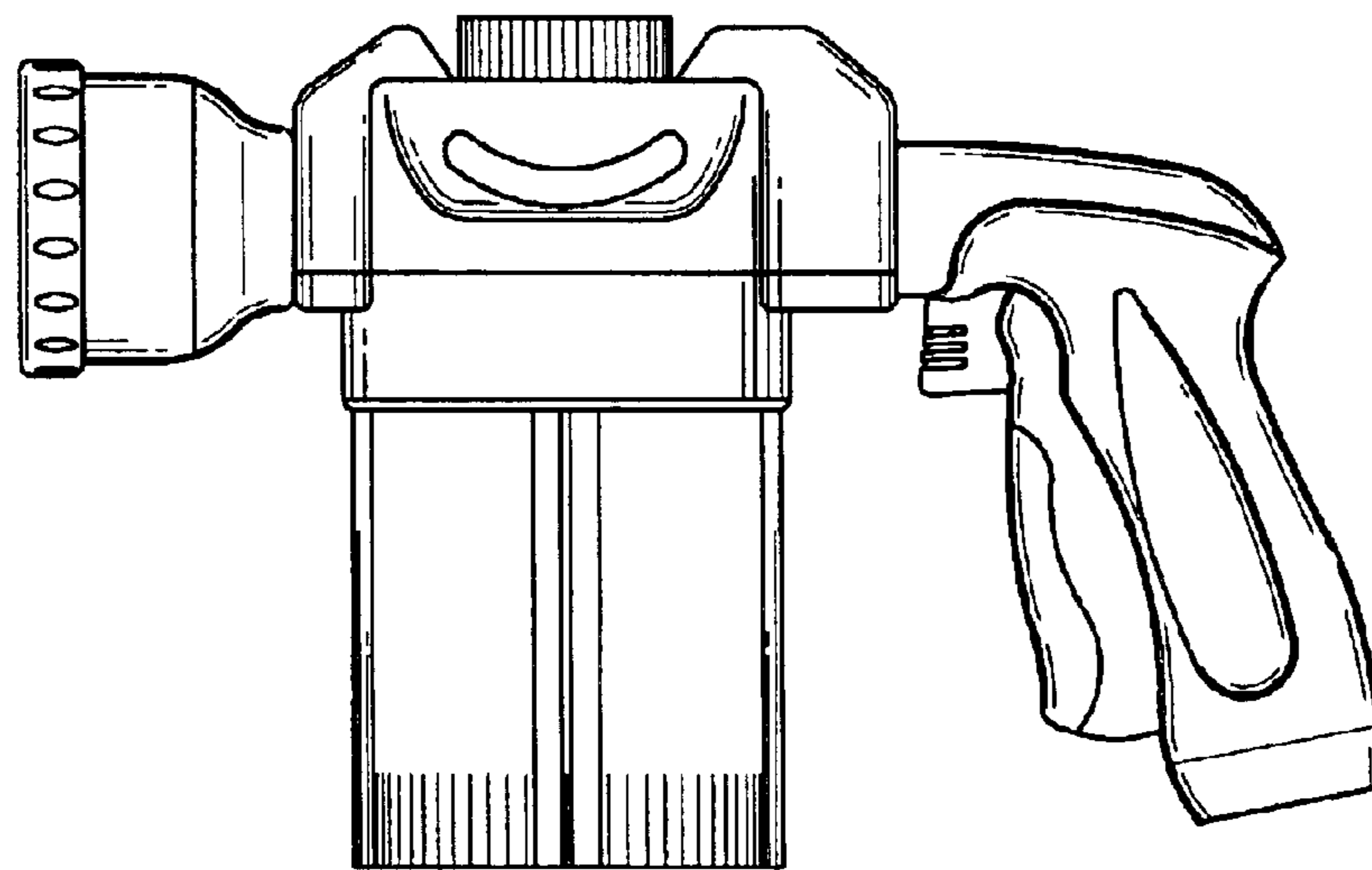


FIG. 5

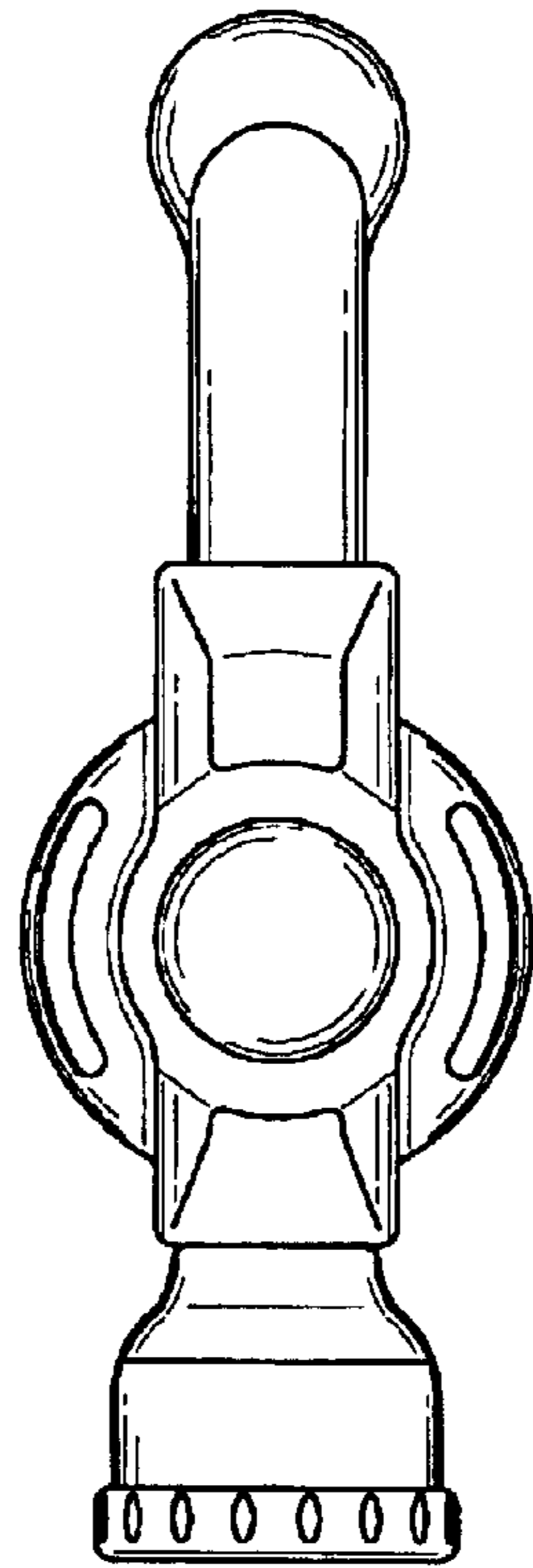


FIG. 6

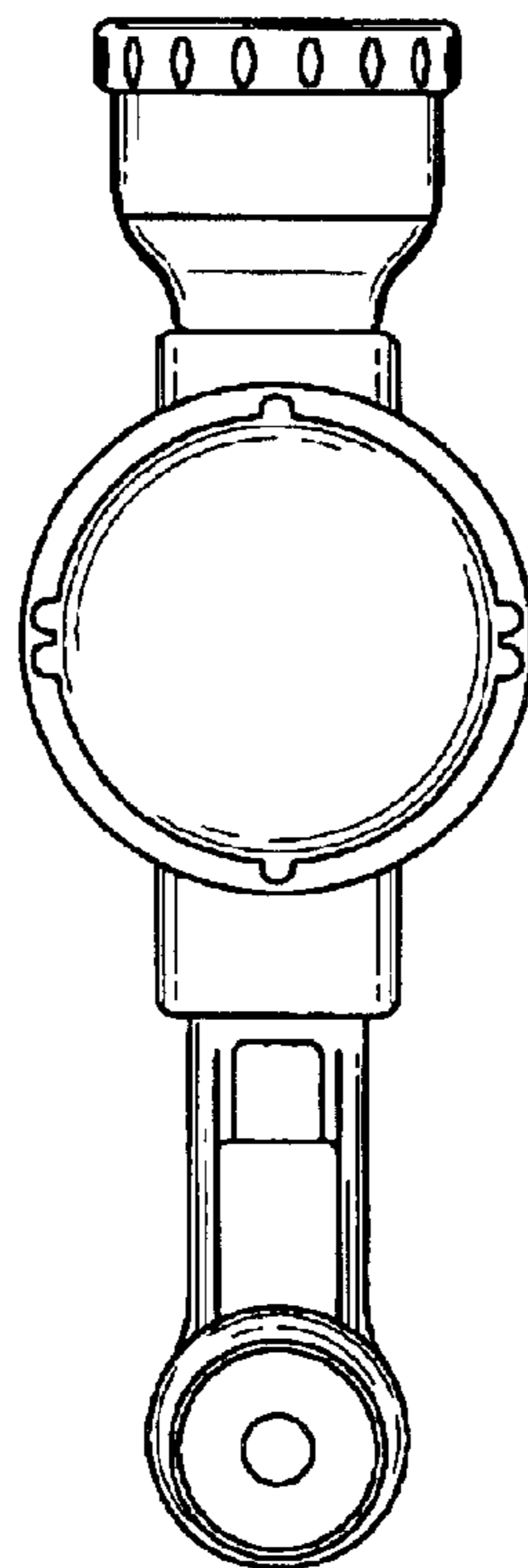


FIG. 7