



US00D497974S1

(12) **United States Design Patent**  
**Haug et al.**

(10) **Patent No.: US D497,974 S**  
(45) **Date of Patent: \*\* Nov. 2, 2004**

(54) **HAND SHOWER**

D489,793 S \* 5/2004 Haug et al. .... D23/223

(75) Inventors: **Andreas Haug**, Stuttgart (DE); **Tom Schönherr**, Stuttgart (DE); **Andreas Dimitriadis**, Lorch (DE); **Fabian Kollmann**, Stuttgart (DE)

(73) Assignee: **Hansgrohe AG**, Schiltach (DE)

(\*\*) Term: **14 Years**

(21) Appl. No.: **29/190,484**

(22) Filed: **Sep. 22, 2003**

(30) **Foreign Application Priority Data**

Mar. 21, 2003 (DE) ..... 403 02 375

(51) **LOC (7) Cl.** ..... **23-01**

(52) **U.S. Cl.** ..... **D23/223**

(58) **Field of Search** ..... D23/213, 223,  
D23/229, 230; 239/525, 526, 282, 283

(56) **References Cited**

**U.S. PATENT DOCUMENTS**

- D326,311 S \* 5/1992 Lenci et al. .... D23/223
- D452,897 S \* 1/2002 Gillette et al. .... D23/223
- D471,953 S \* 3/2003 Colligan et al. .... D23/213
- D485,887 S \* 1/2004 Luetgen et al. .... D23/223

**OTHER PUBLICATIONS**

One page brochure titled "ONDINE" by Interbath, Inc., 2002.

One page of a brochure titled, "Water Pearls" by KWC Faucets Inc., 2003.

\* cited by examiner

*Primary Examiner*—Robin V. Taylor

(74) *Attorney, Agent, or Firm*—Duane Morris LLP

(57) **CLAIM**

The ornamental design of a hand shower, as shown and described.

**DESCRIPTION**

FIG. 1: is a side perspective view of the hand shower showing our new design;

FIG. 2: is a front elevation view thereof;

FIG. 3: is a side elevation view thereof (the opposite side being a mirror image);

FIG. 4: is a top plan view thereof;

FIG. 5: is a bottom plan view thereof; and,

FIG. 6: is a rear elevation view thereof.

**1 Claim, 5 Drawing Sheets**

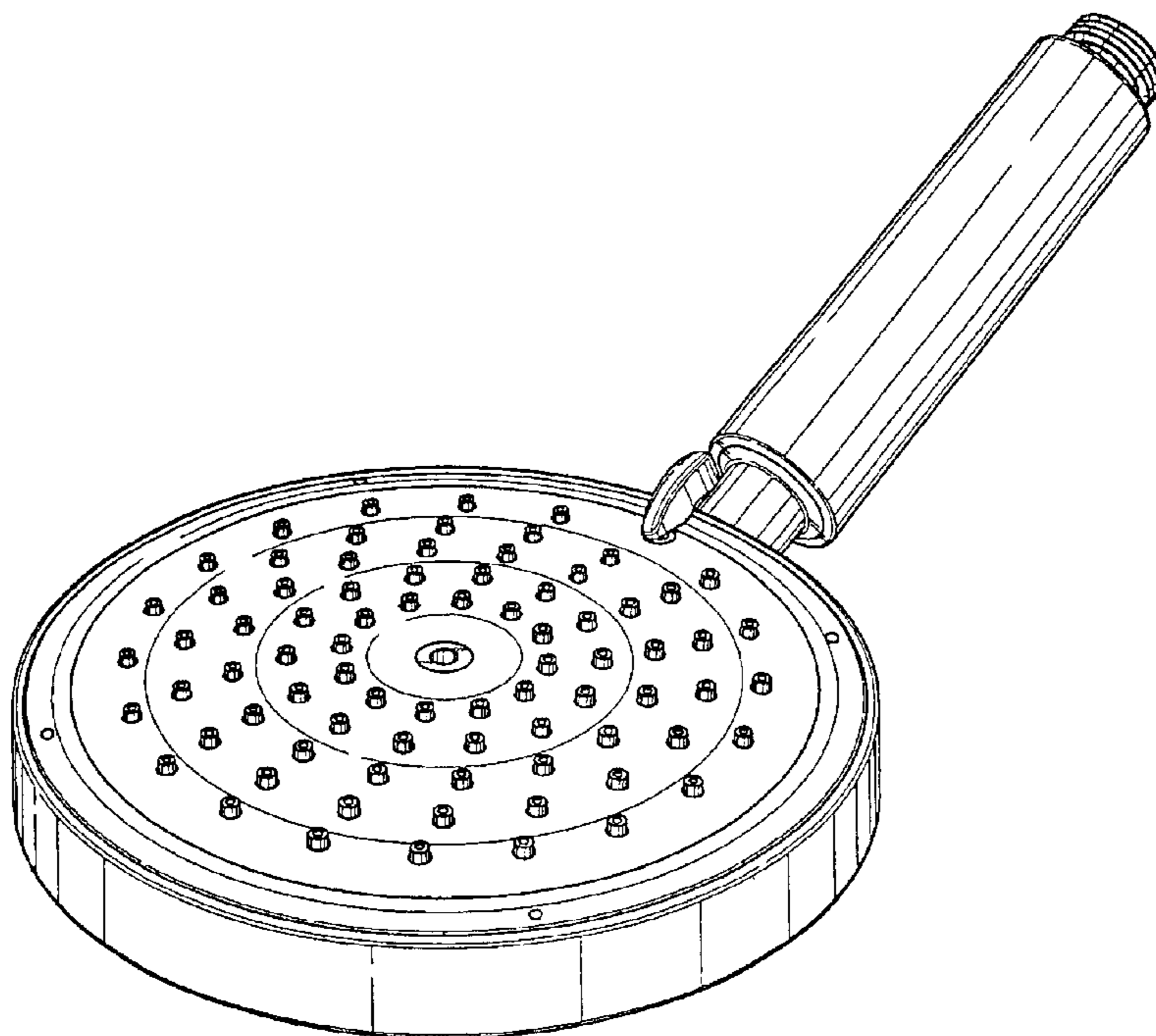
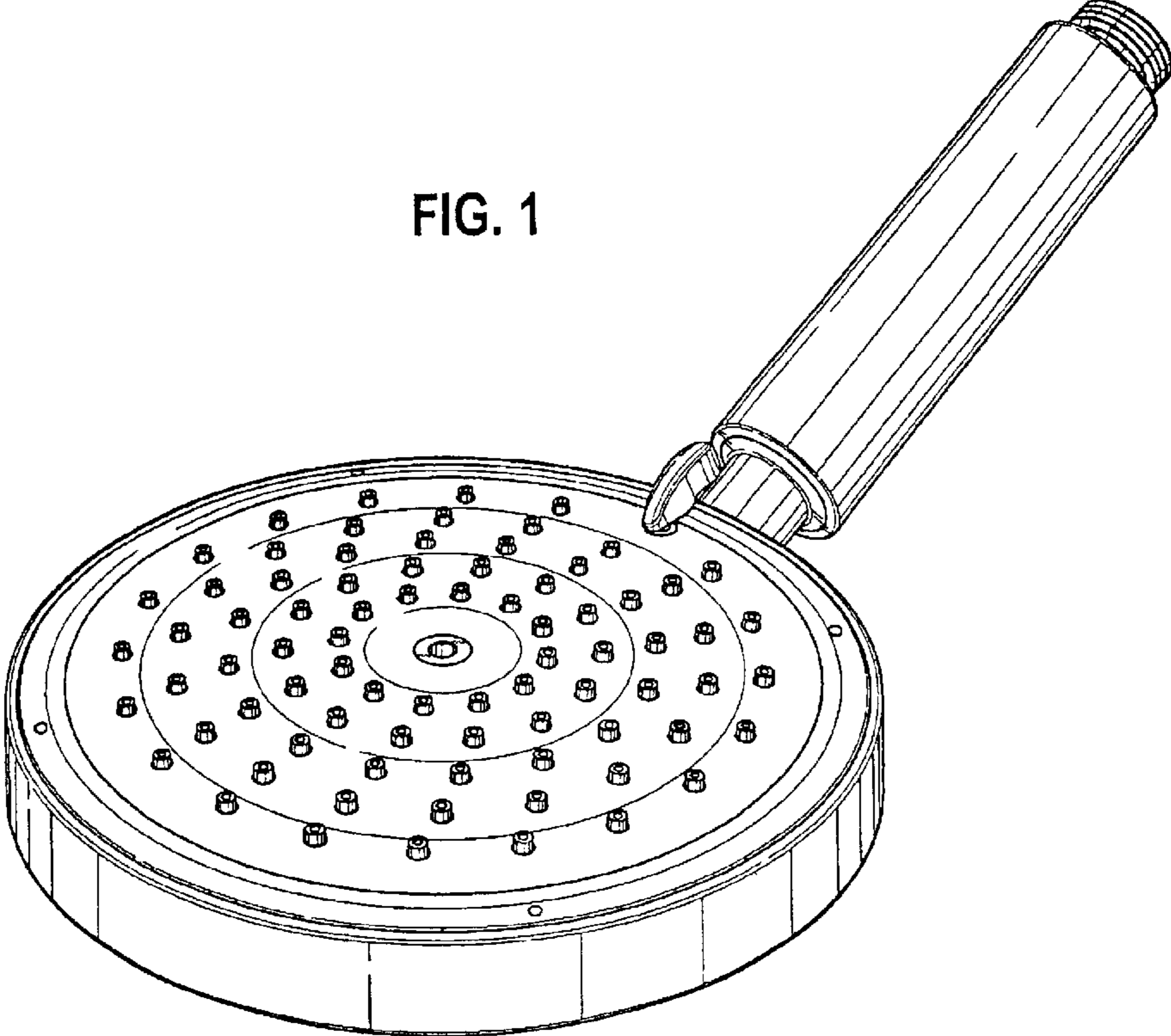


FIG. 1



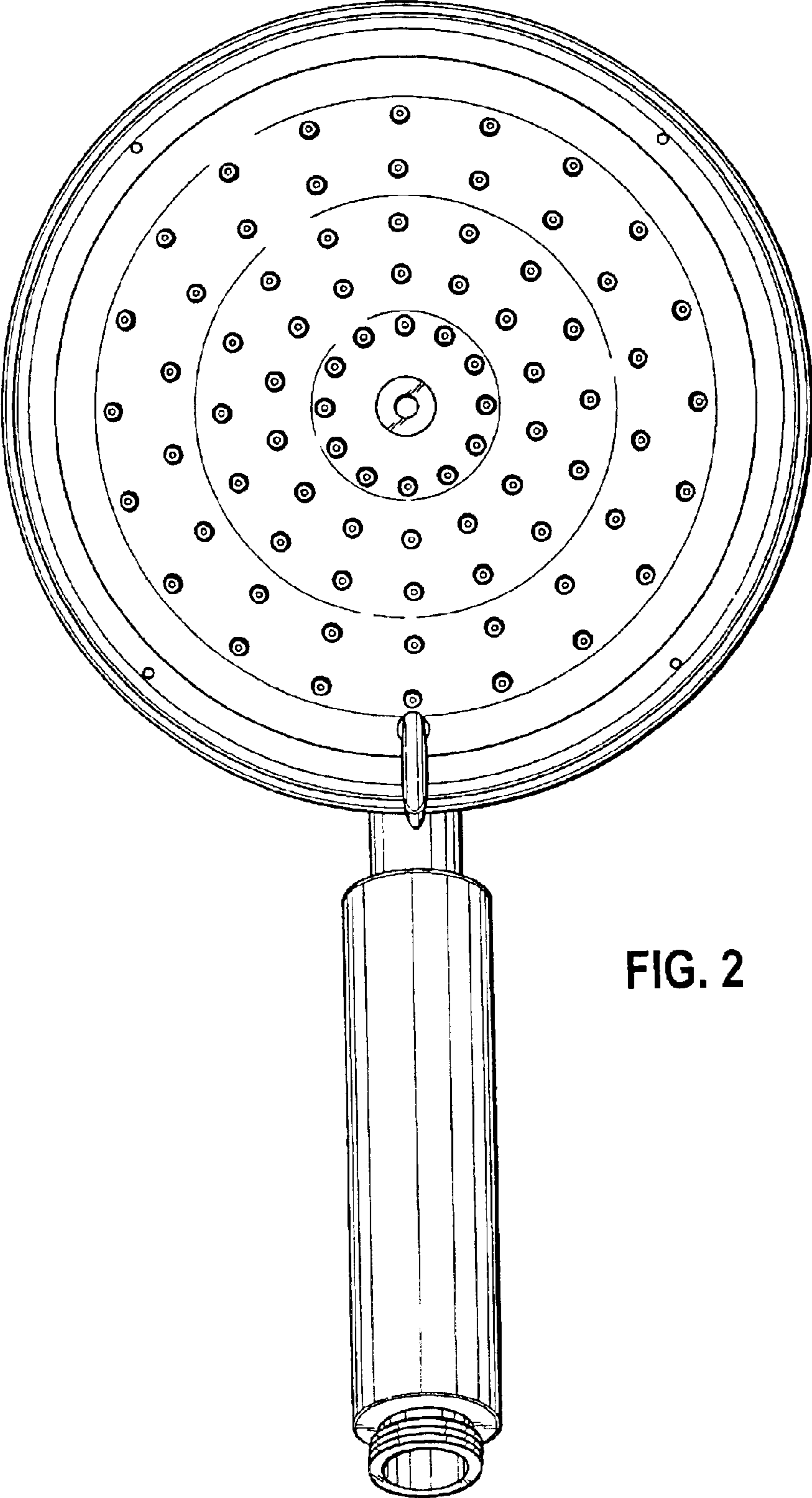


FIG. 2

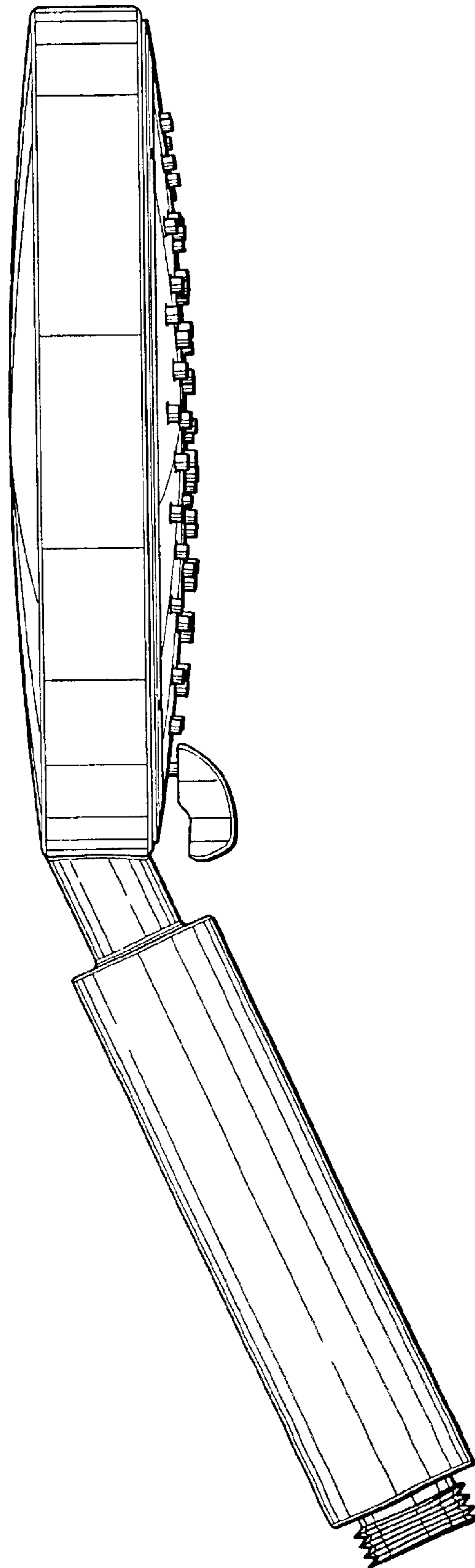


FIG. 3

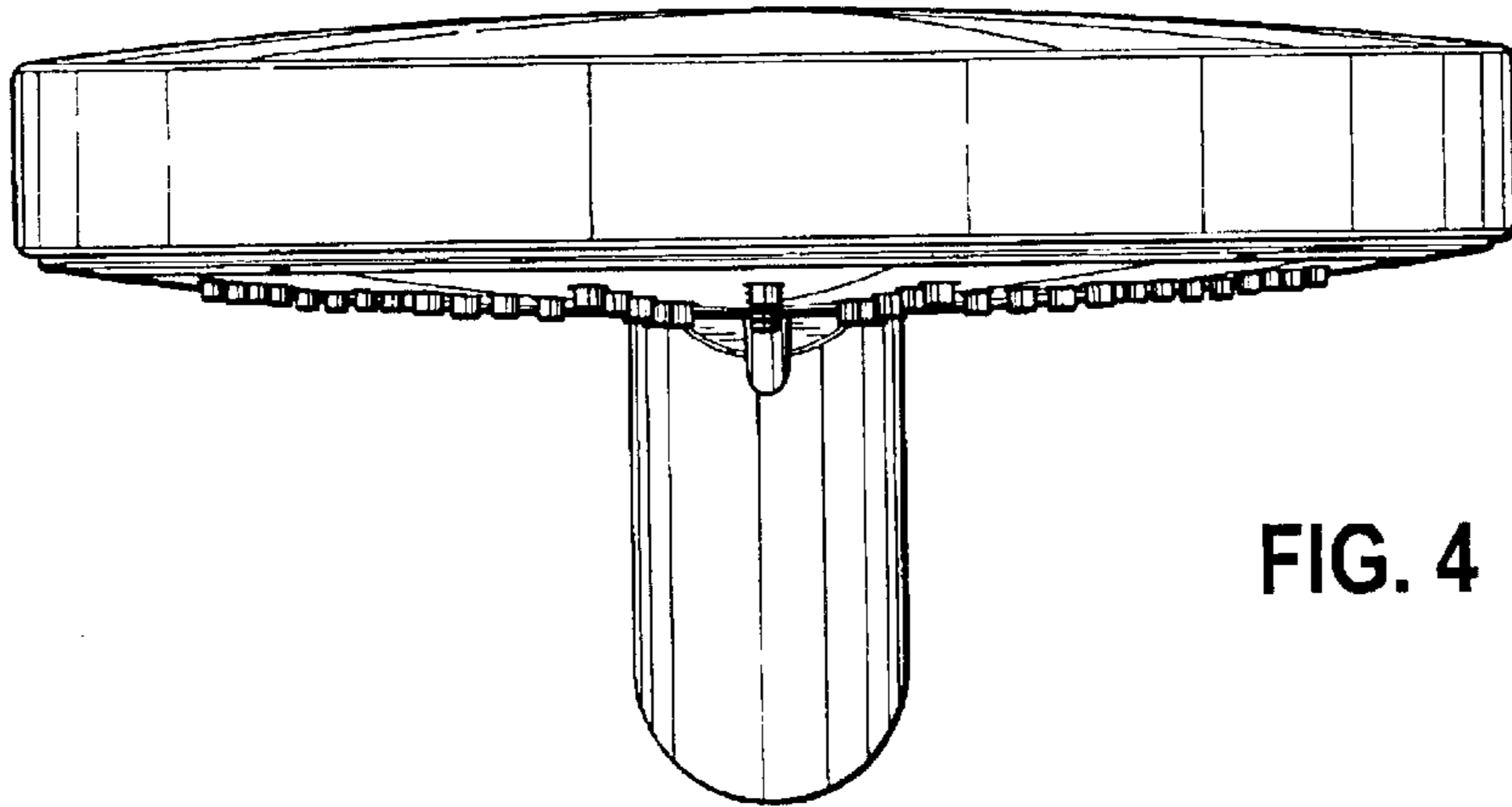


FIG. 4

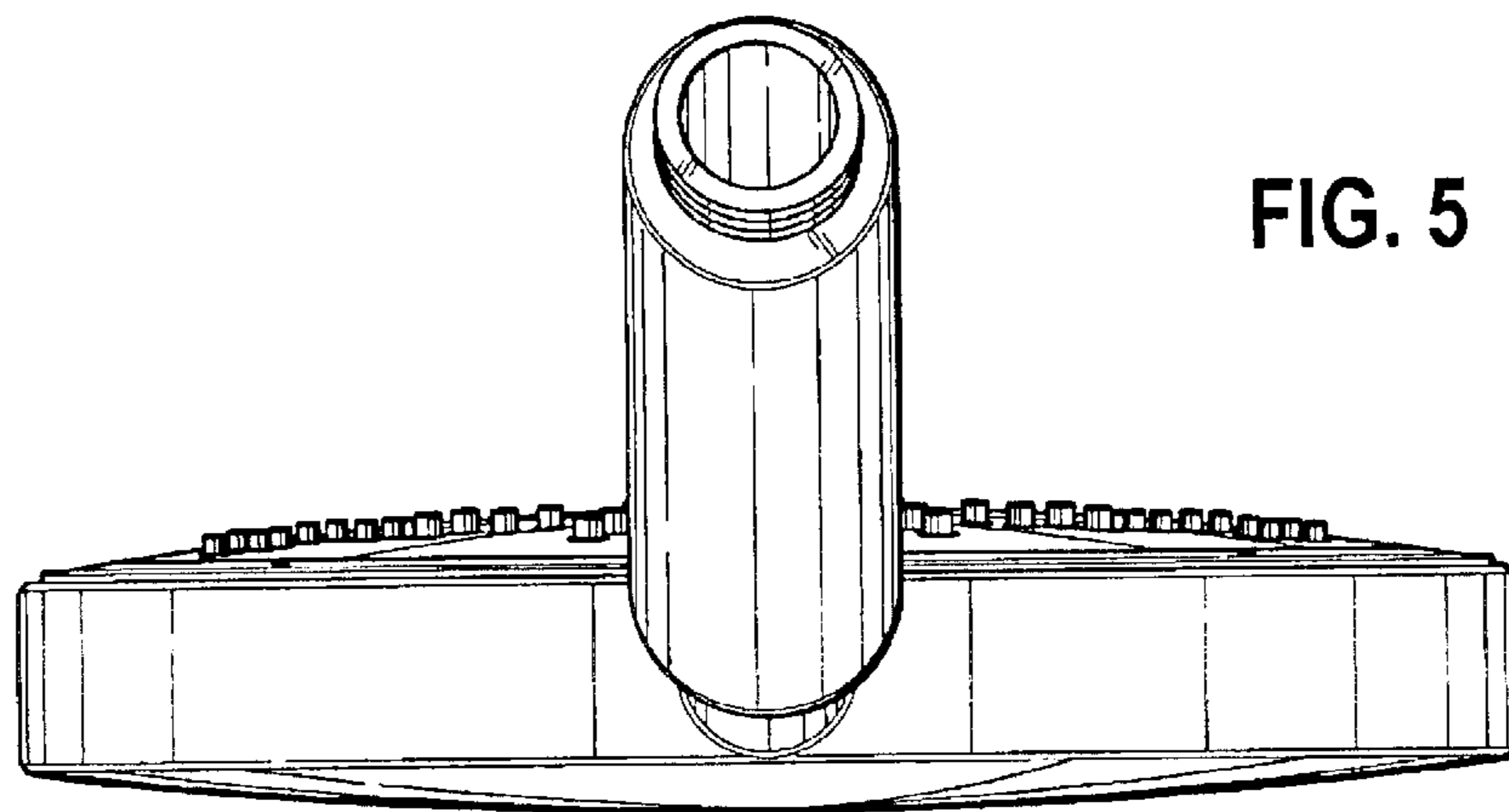


FIG. 5

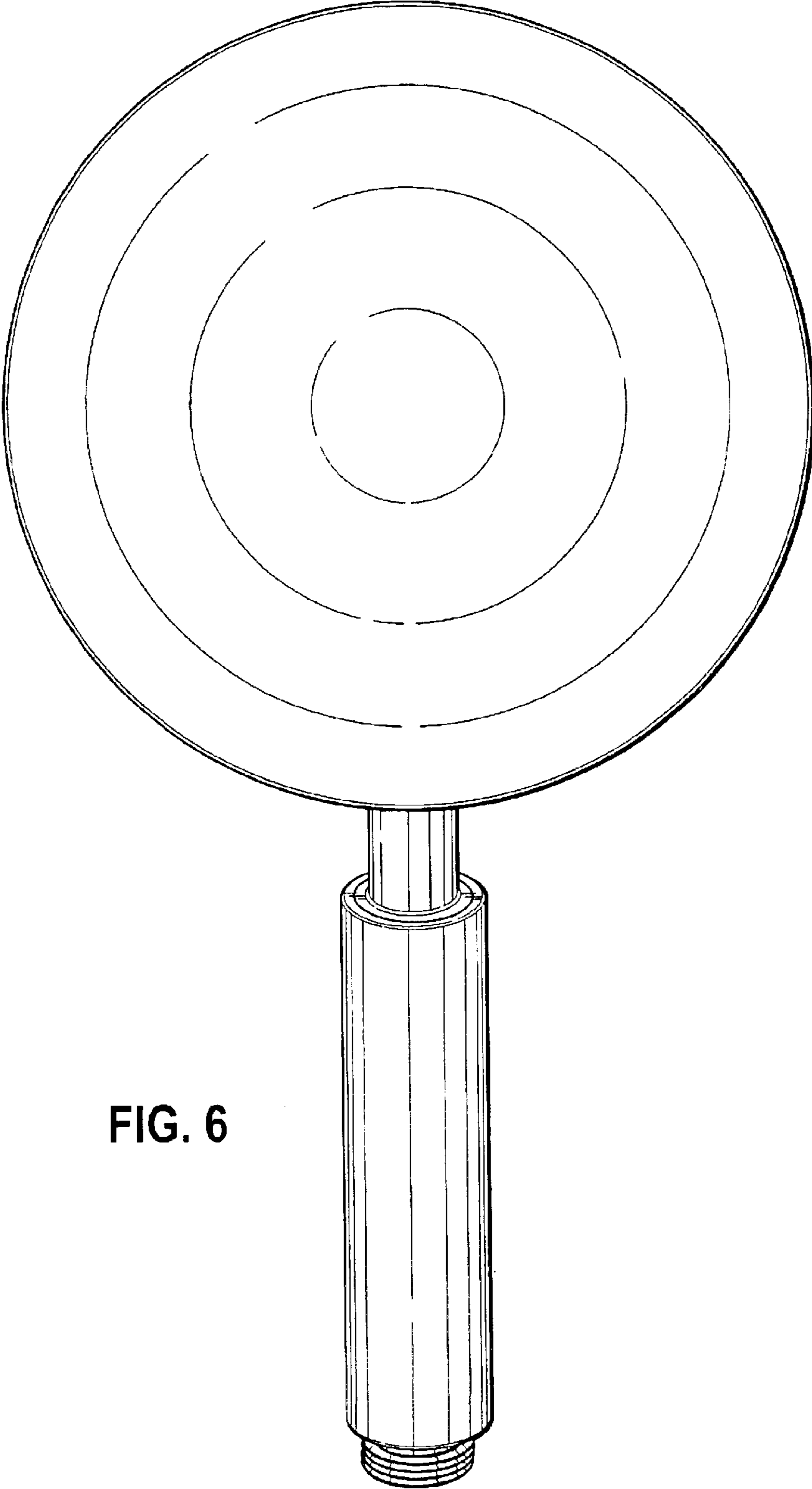


FIG. 6