

US00D497973S1

(12) **United States Design Patent**  
**Schapper**

(10) **Patent No.:** **US D497,973 S**

(45) **Date of Patent:** **\*\* Nov. 2, 2004**

(54) **SPIKE FOR LAWN SPRINKLER**

D481,444 S \* 10/2003 Guo ..... D23/221

(75) **Inventor:** **Aaron Schapper, Park City, UT (US)**

\* cited by examiner

(73) **Assignee:** **Orbit Irrigation Products, Inc., N. Salt Lake, UT (US)**

*Primary Examiner*—Robin V. Taylor

(74) *Attorney, Agent, or Firm*—Thorpe North & Western

(\*\*) **Term:** **14 Years**

(57) **CLAIM**

The ornamental design for a spike for lawn sprinkler, as shown and described.

(21) **Appl. No.:** **29/185,639**

(22) **Filed:** **Jul. 1, 2003**

**DESCRIPTION**

(51) **LOC (7) Cl.** ..... **23-01**

(52) **U.S. Cl.** ..... **D23/221; D23/217**

(58) **Field of Search** ..... **D23/213, 214, D23/217, 221; 239/276, 273, 275**

FIG. 1 is a perspective view of the spike for lawn sprinkler in accordance with my invention;

FIG. 2 is a bottom elevation view thereof;

FIG. 3 is a top elevation view thereof;

FIG. 4 is a left side elevation view thereof;

FIG. 5 is a right side elevation view thereof;

FIG. 6 is a front plan view thereof; and,

FIG. 7 is a back plan view thereof.

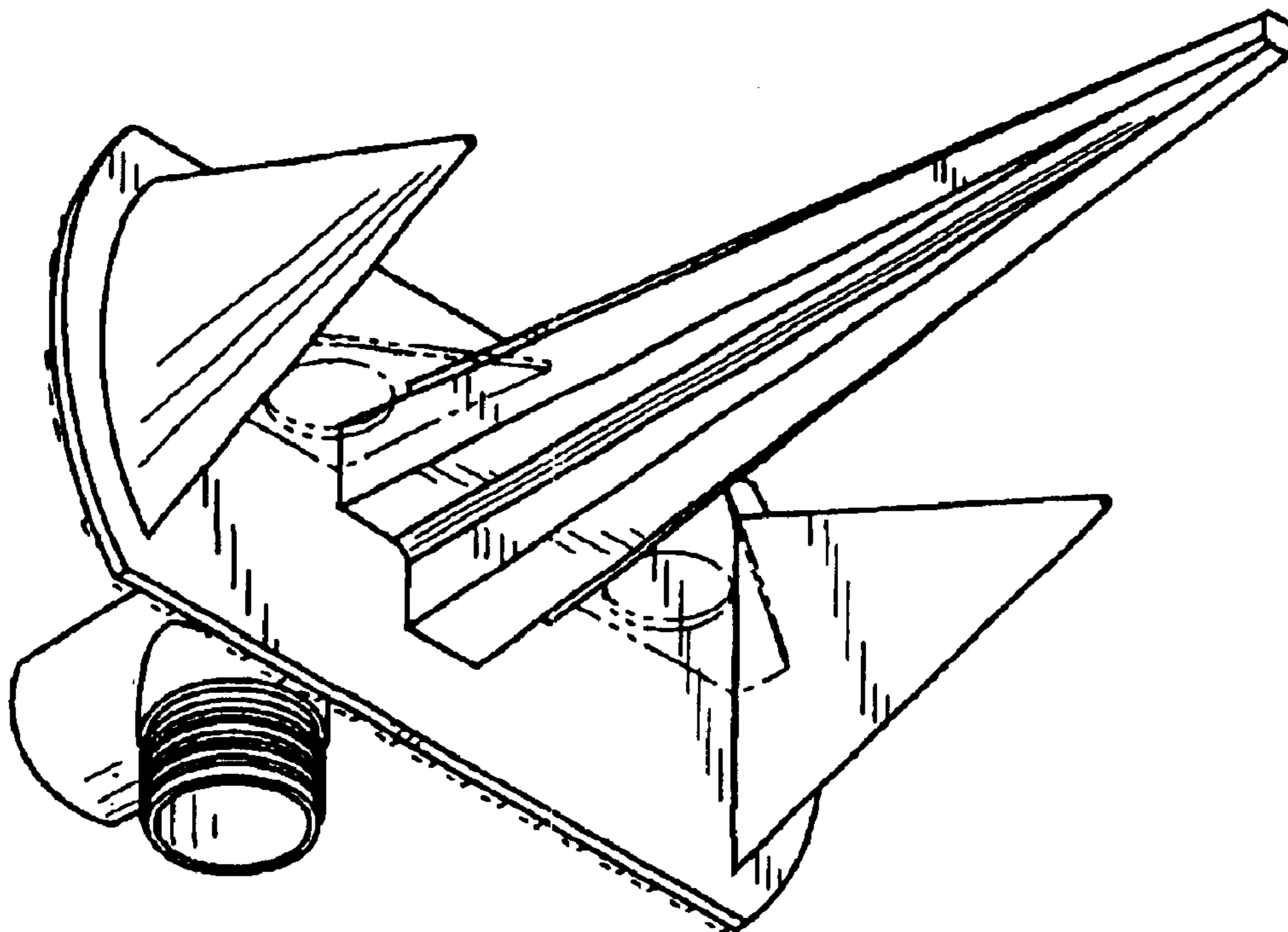
The broken lines shown in FIGS. 1-7 are for illustrative purposes only and form no part of the claimed design.

(56) **References Cited**

**U.S. PATENT DOCUMENTS**

1,031,176 A	*	7/1912	Gilpin	.....	239/276
D284,785 S	*	7/1986	Lemkin et al.	.....	D23/221
D438,284 S	*	2/2001	King et al.	.....	D23/221
D439,632 S	*	3/2001	King et al.	.....	D23/221
D440,280 S	*	4/2001	King et al.	.....	D23/221

**1 Claim, 4 Drawing Sheets**



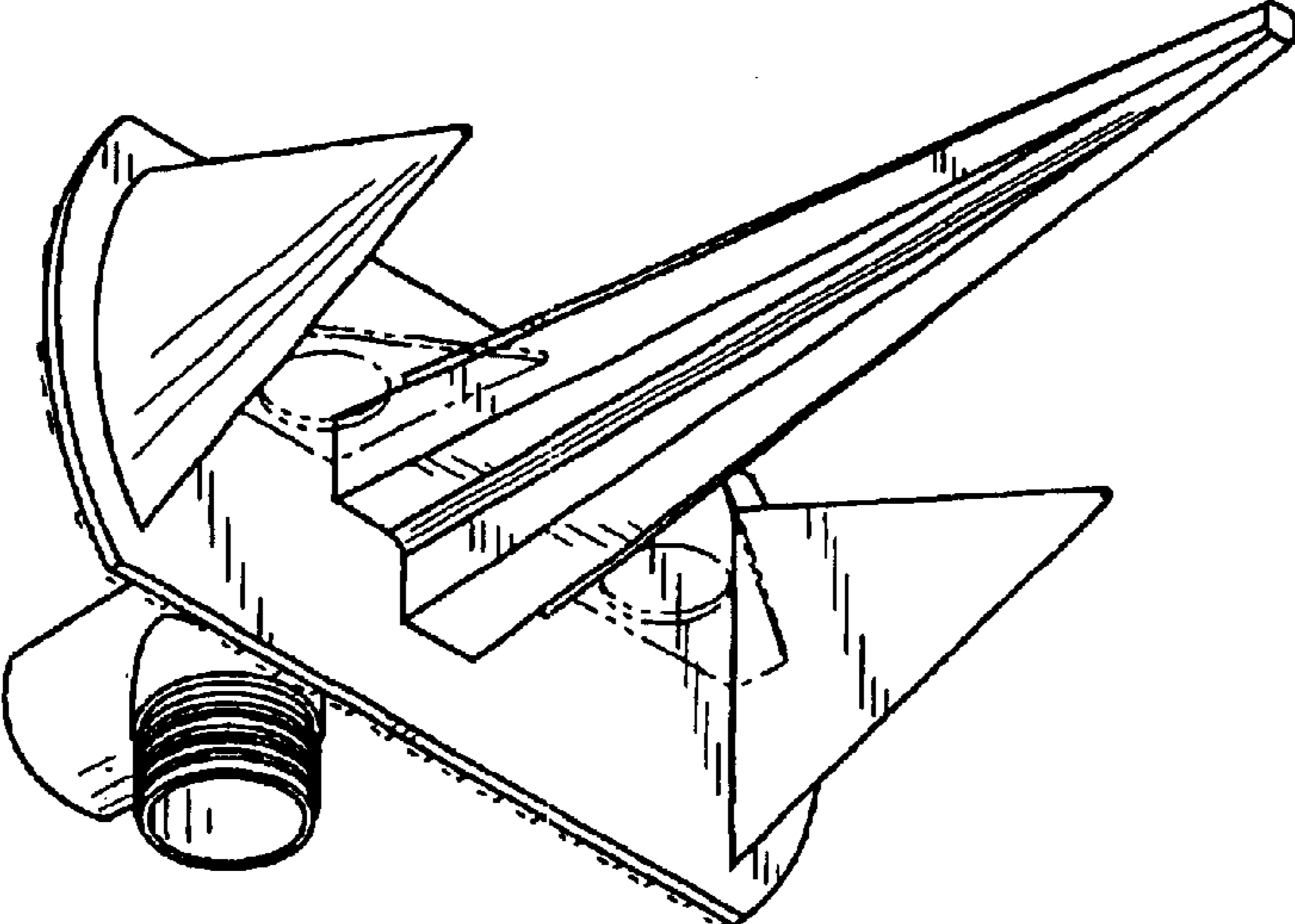


FIG. 1

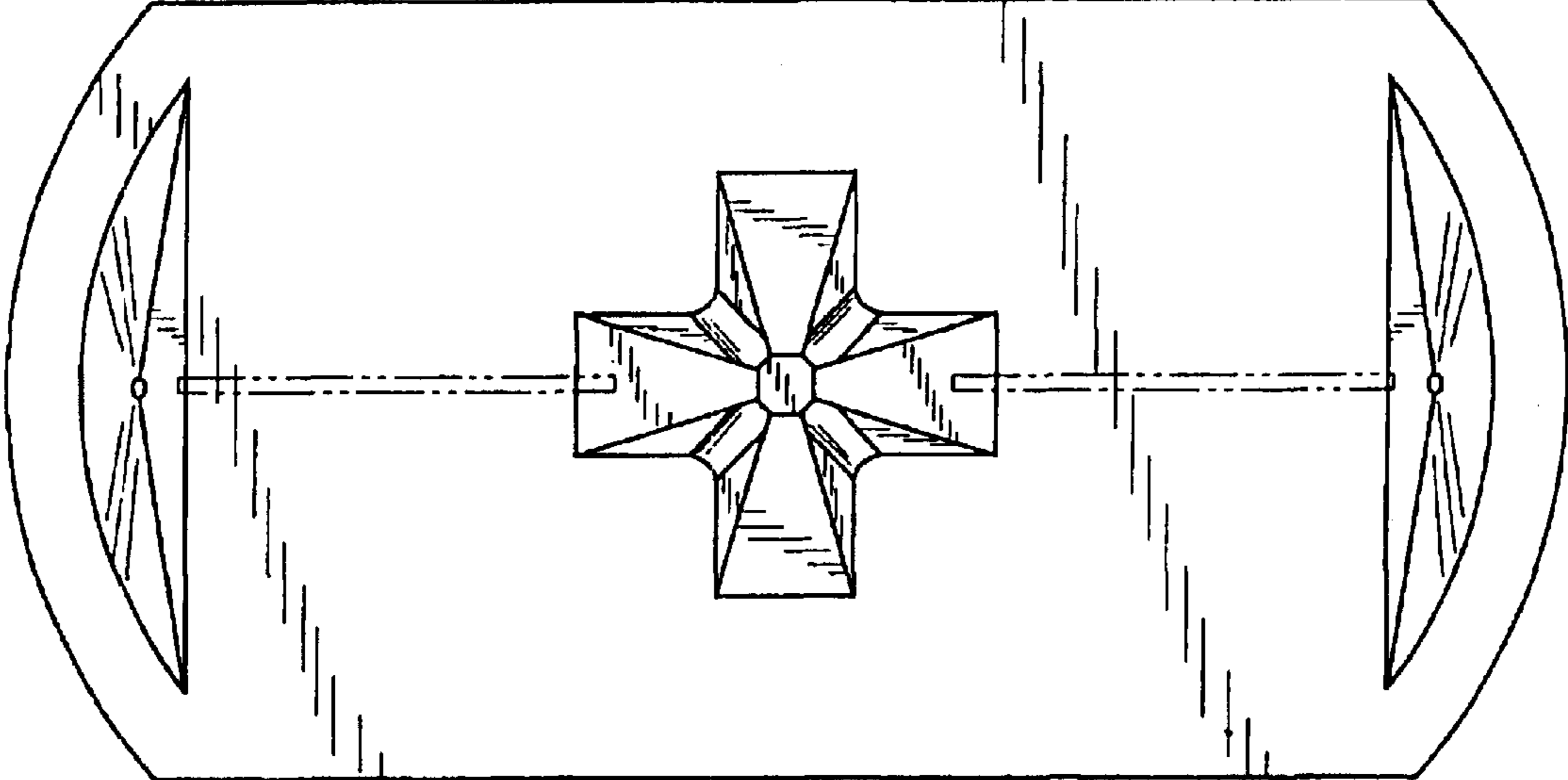
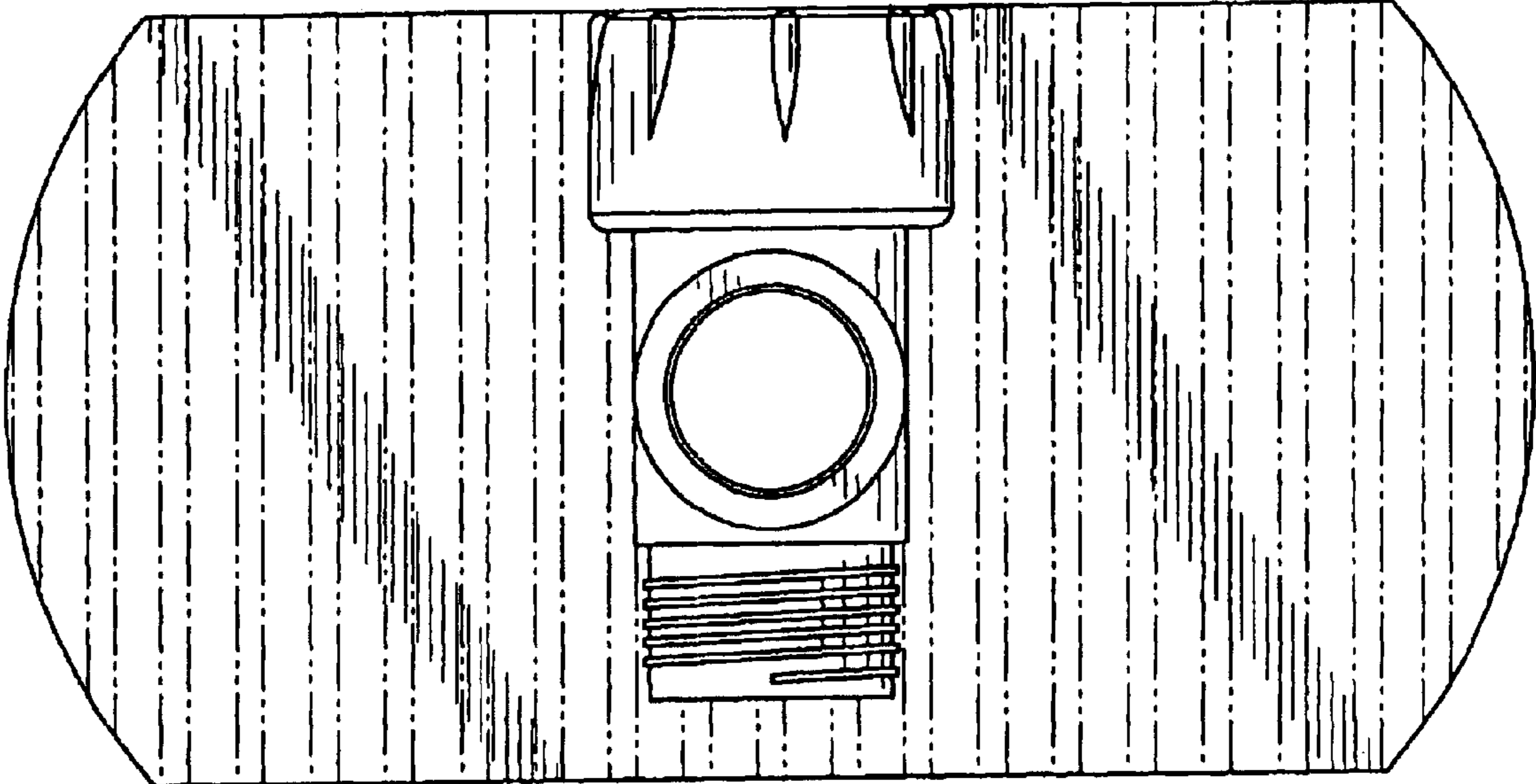
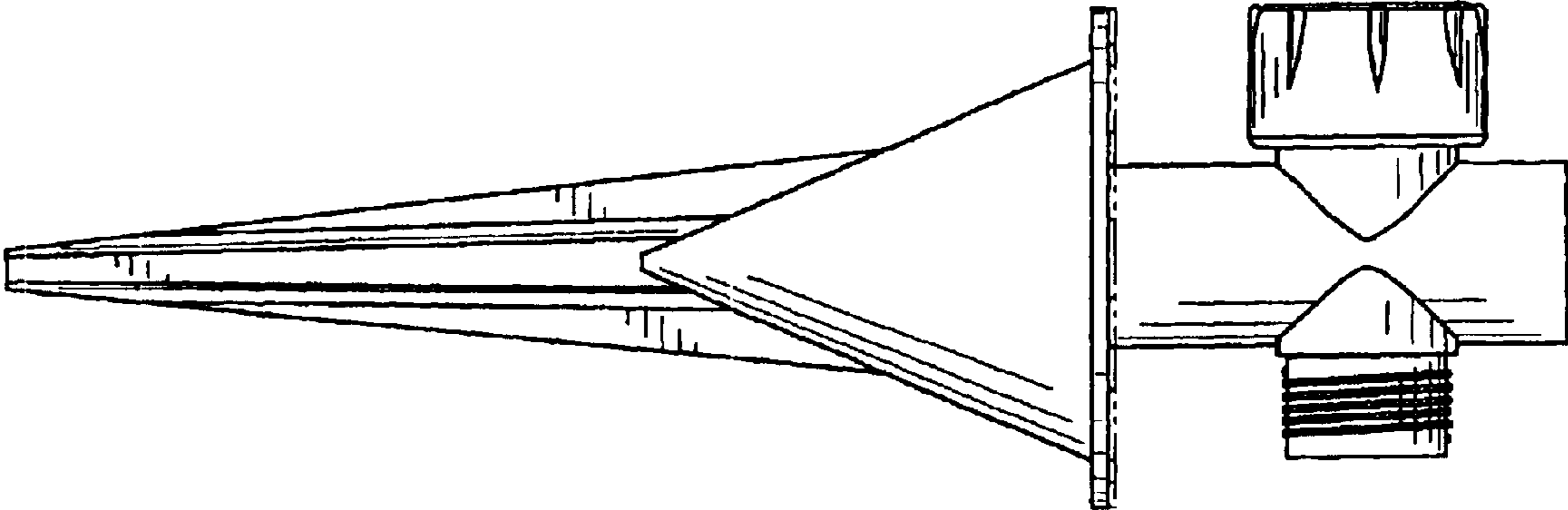


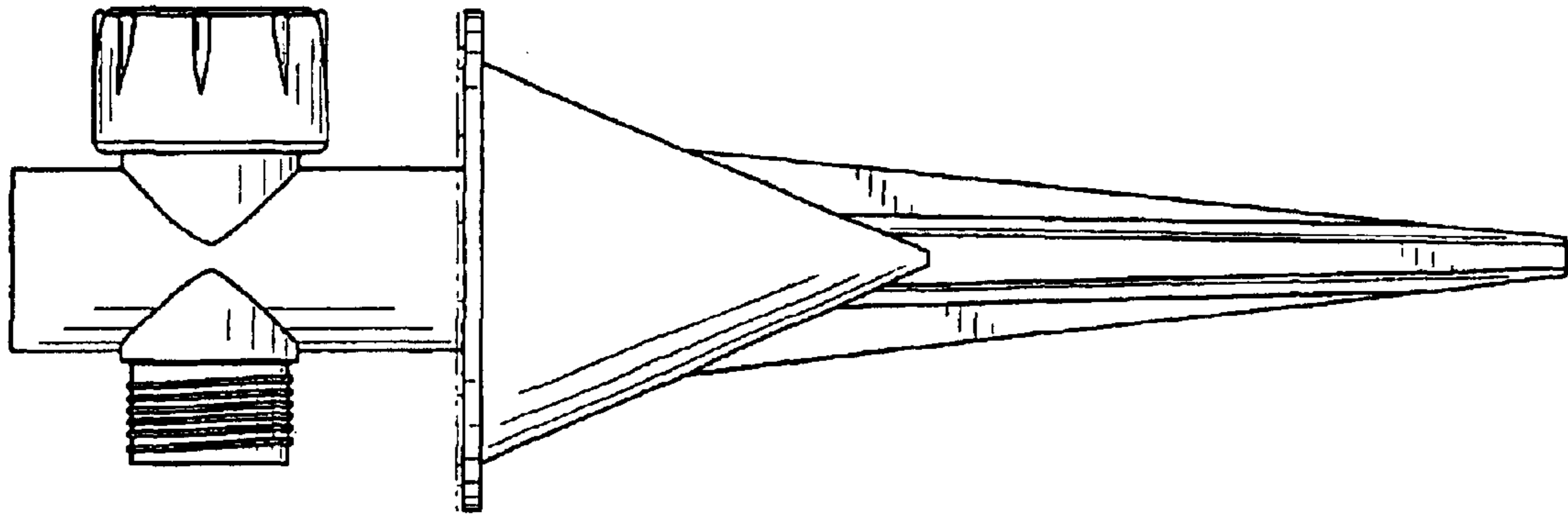
FIG. 2



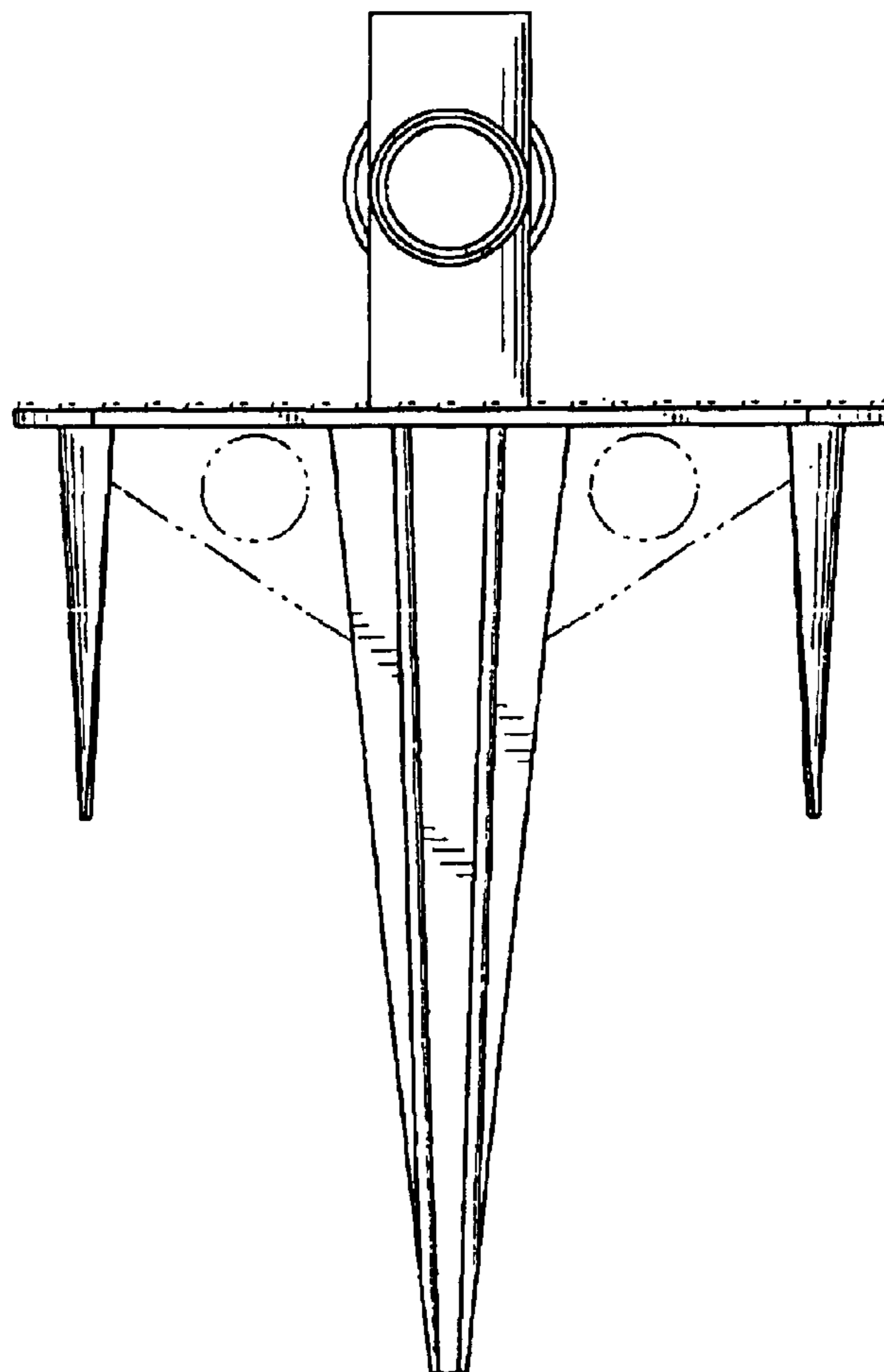
**FIG. 3**



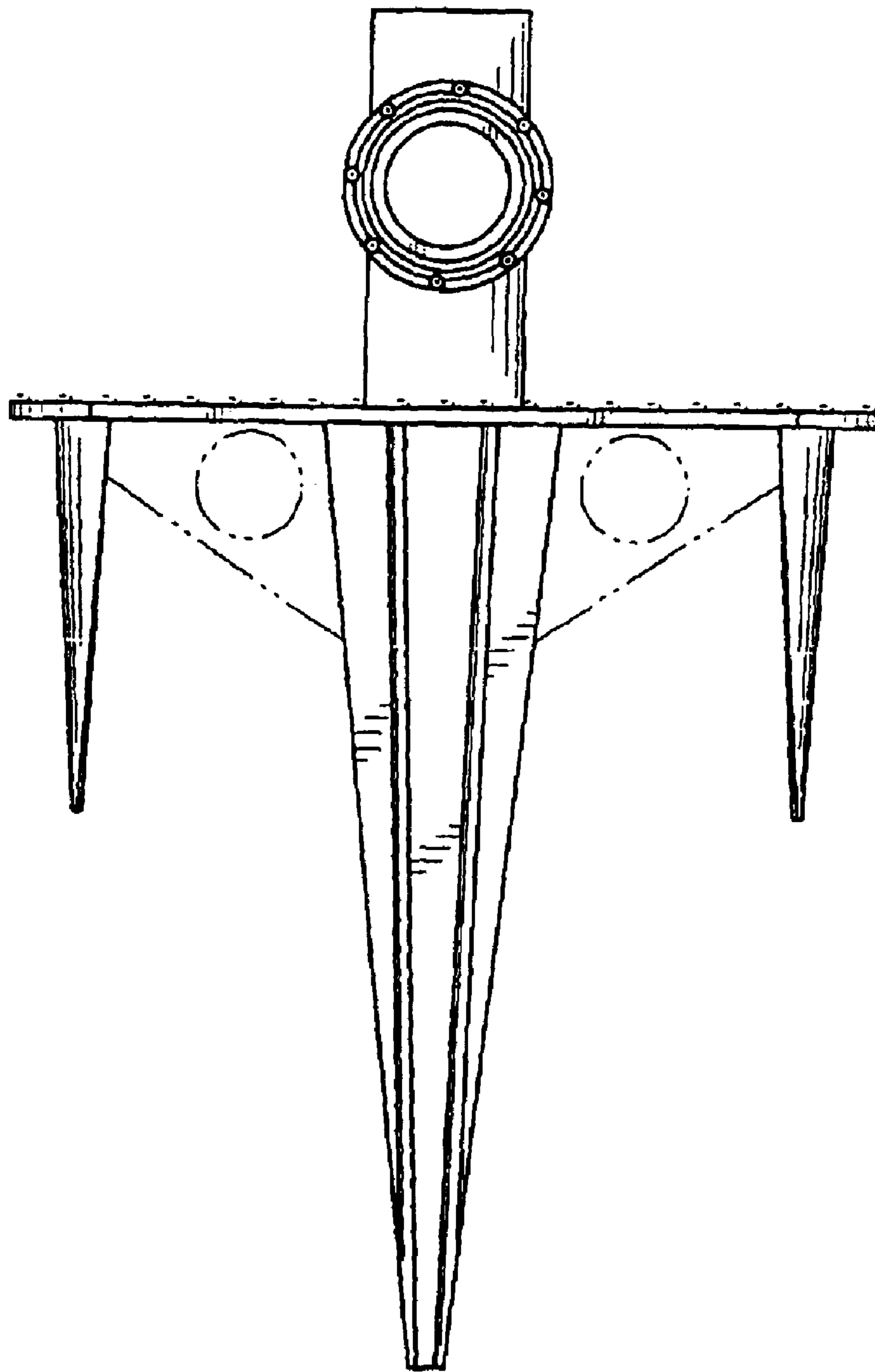
**FIG. 4**



**FIG. 5**



**FIG. 6**



**FIG. 7**