

US00D497969S1

(12) **United States Design Patent**
Iwabuchi

(10) **Patent No.:** **US D497,969 S**
(45) **Date of Patent:** **** Nov. 2, 2004**

(54) **FISHING REEL**

(75) **Inventor:** **Masakazu Iwabuchi**, Tondabayashi (JP)

(73) **Assignee:** **Shimano Inc.**, Osaka (JP)

(**) **Term:** **14 Years**

(21) **Appl. No.:** **29/185,304**

(22) **Filed:** **Jun. 26, 2003**

(30) **Foreign Application Priority Data**

Dec. 26, 2002 (JP) 2002-036156

(51) **LOC (7) Cl.** **22-05**

(52) **U.S. Cl.** **D22/141**

(58) **Field of Search** D22/141, 140,
D22/137; 242/316, 224, 370, 223, 234,
311, 322, 283; 43/19-22

(56) **References Cited**

U.S. PATENT DOCUMENTS

D336,677 S	*	6/1993	Shiozaki	D22/141
D369,643 S	*	5/1996	Moriya et al.	D22/141
D414,237 S	*	9/1999	Kang et al.	D22/141
D443,019 S	*	5/2001	Kang et al.	D22/141

* cited by examiner

Primary Examiner—Catherine R. Oliver
(74) *Attorney, Agent, or Firm*—Shinju Global IP Counselors, LLP

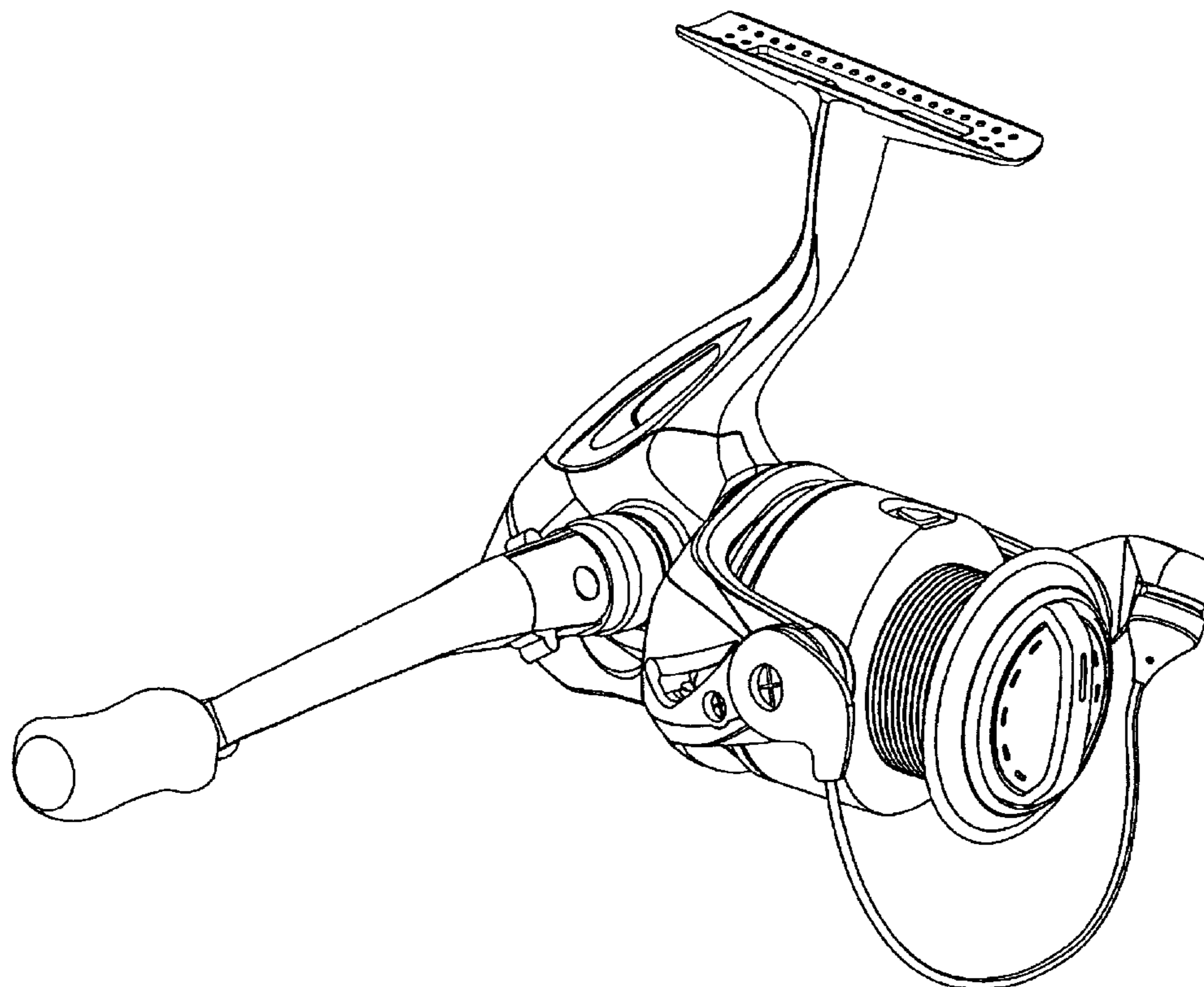
(57) **CLAIM**

The ornamental design for a fishing reel, as shown and described.

DESCRIPTION

FIG. 1 is a front side view of a fishing reel in accordance with my new design;
FIG. 2 is a rear side view of the fishing reel in accordance with my new design;
FIG. 3 is a top plan view of the fishing reel in accordance with my new design;
FIG. 4 is a bottom plan view of the fishing reel in accordance with my new design;
FIG. 5 is a left side view of the fishing reel in accordance with my new design;
FIG. 6 is a right side view of the fishing reel in accordance with my new design;
FIG. 7 is a top-front side perspective view of the fishing reel in accordance with my new design; and,
FIG. 8 is a bottom-rear side perspective view of the fishing reel in accordance with my new design.

1 Claim, 8 Drawing Sheets



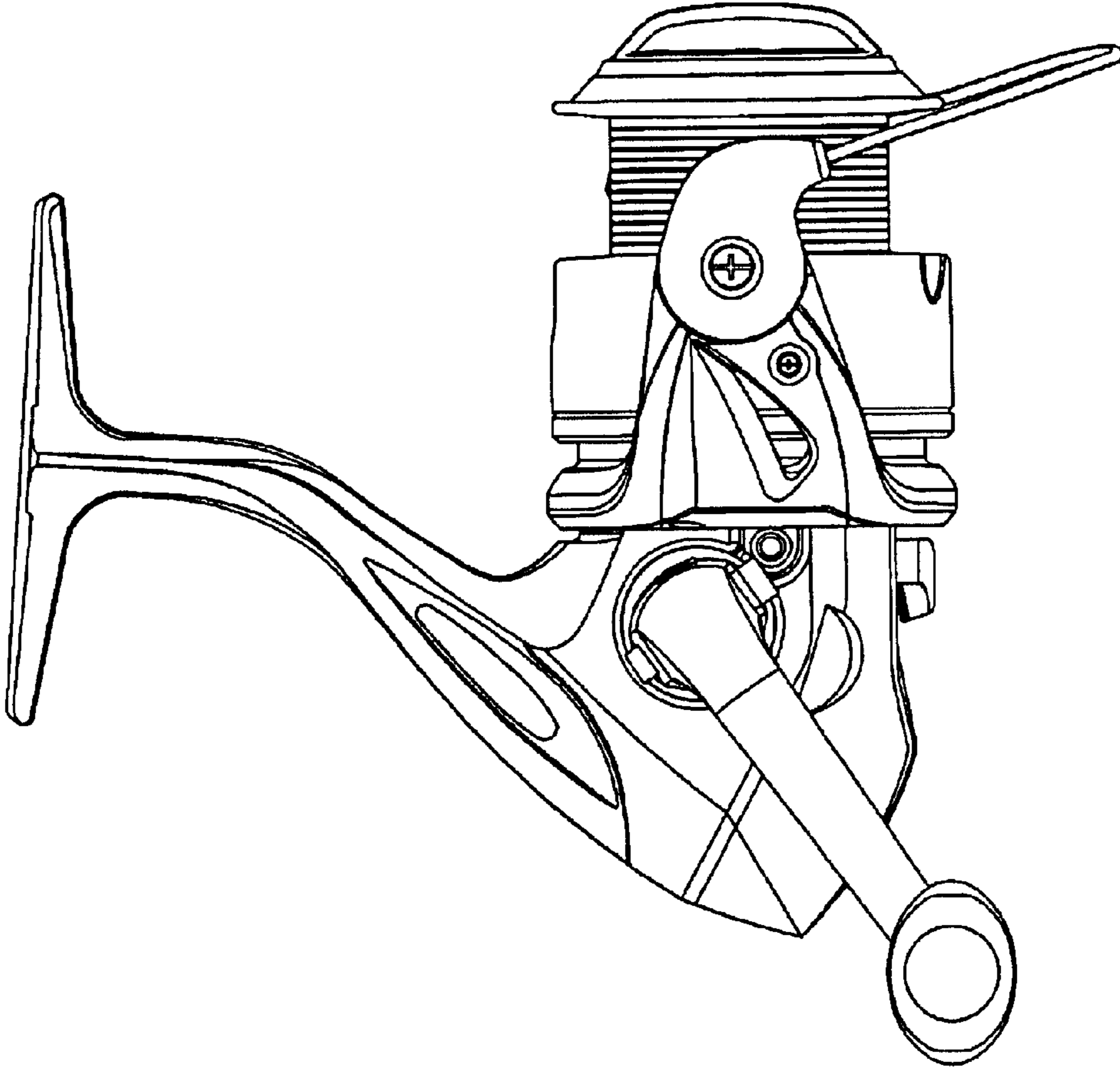


Figure 1

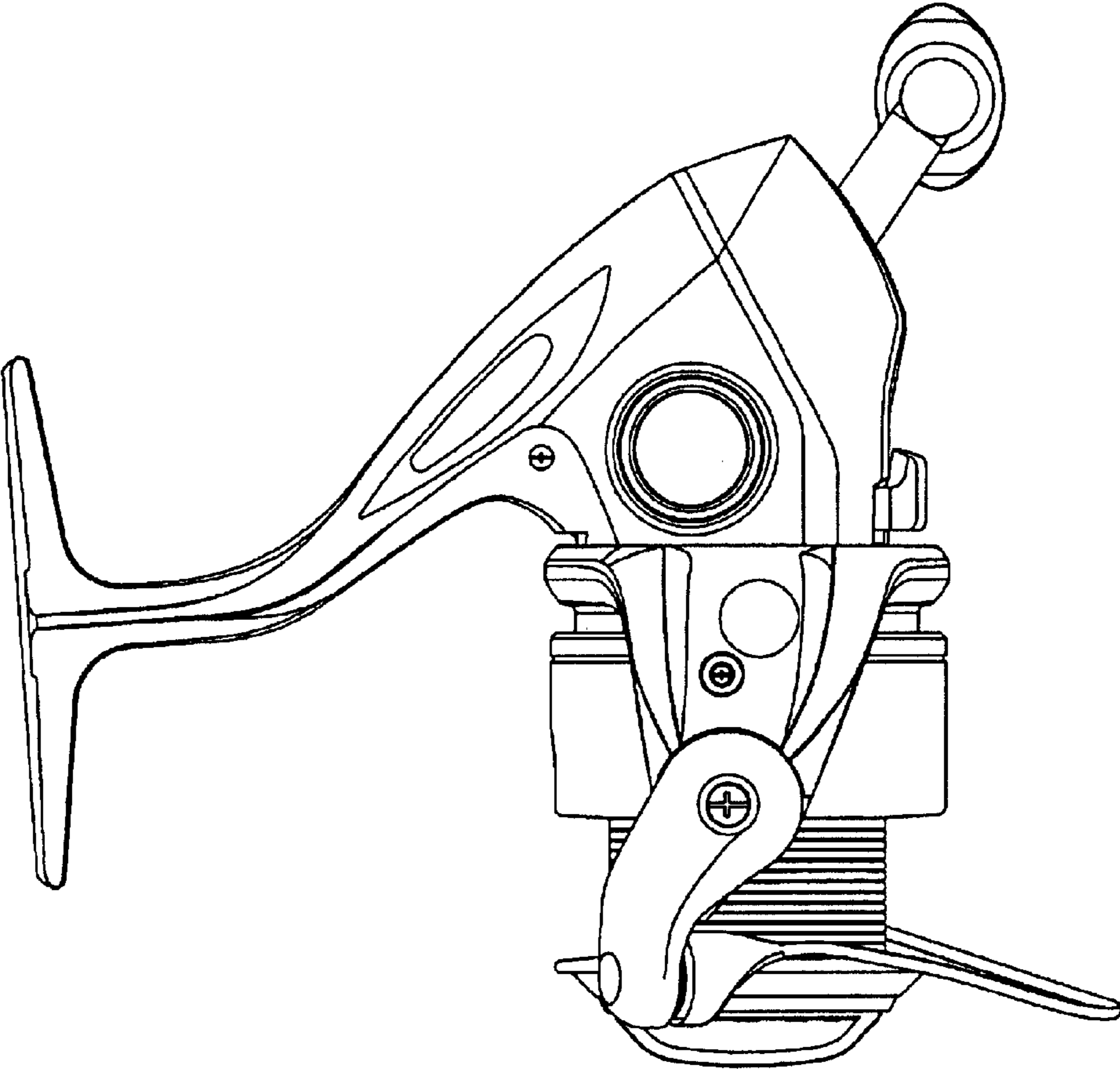


Figure 2

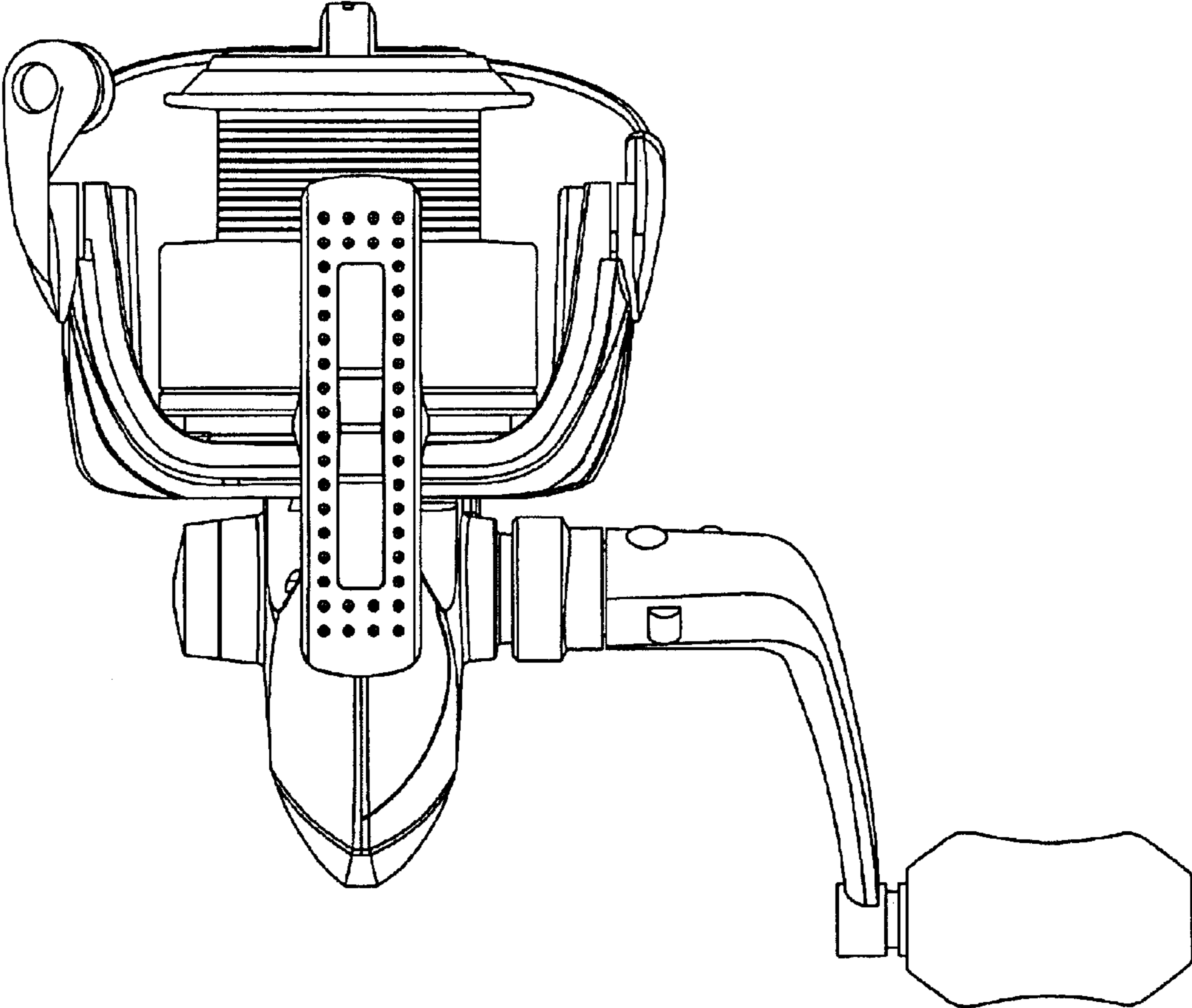


Figure 3

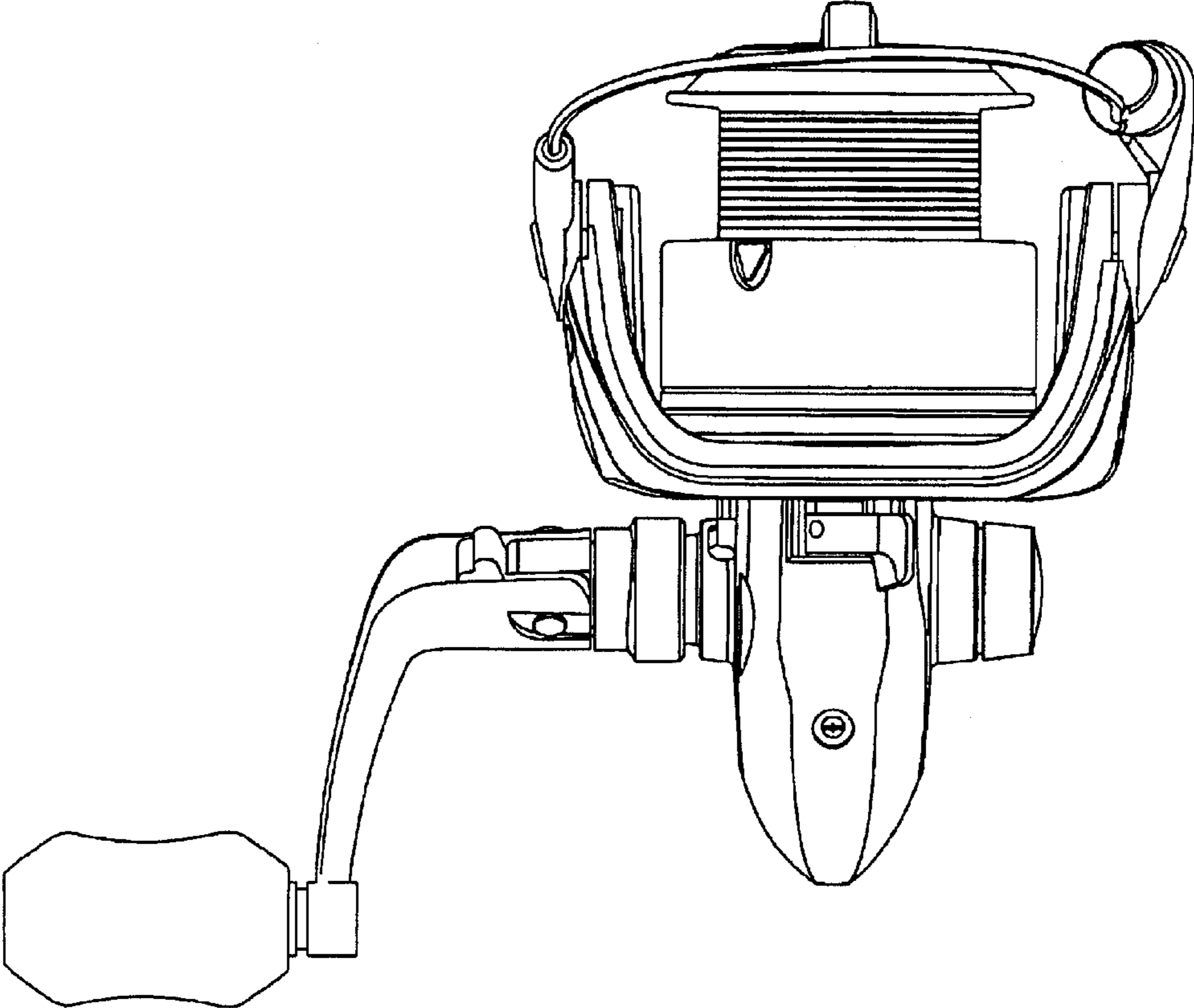


Figure 4

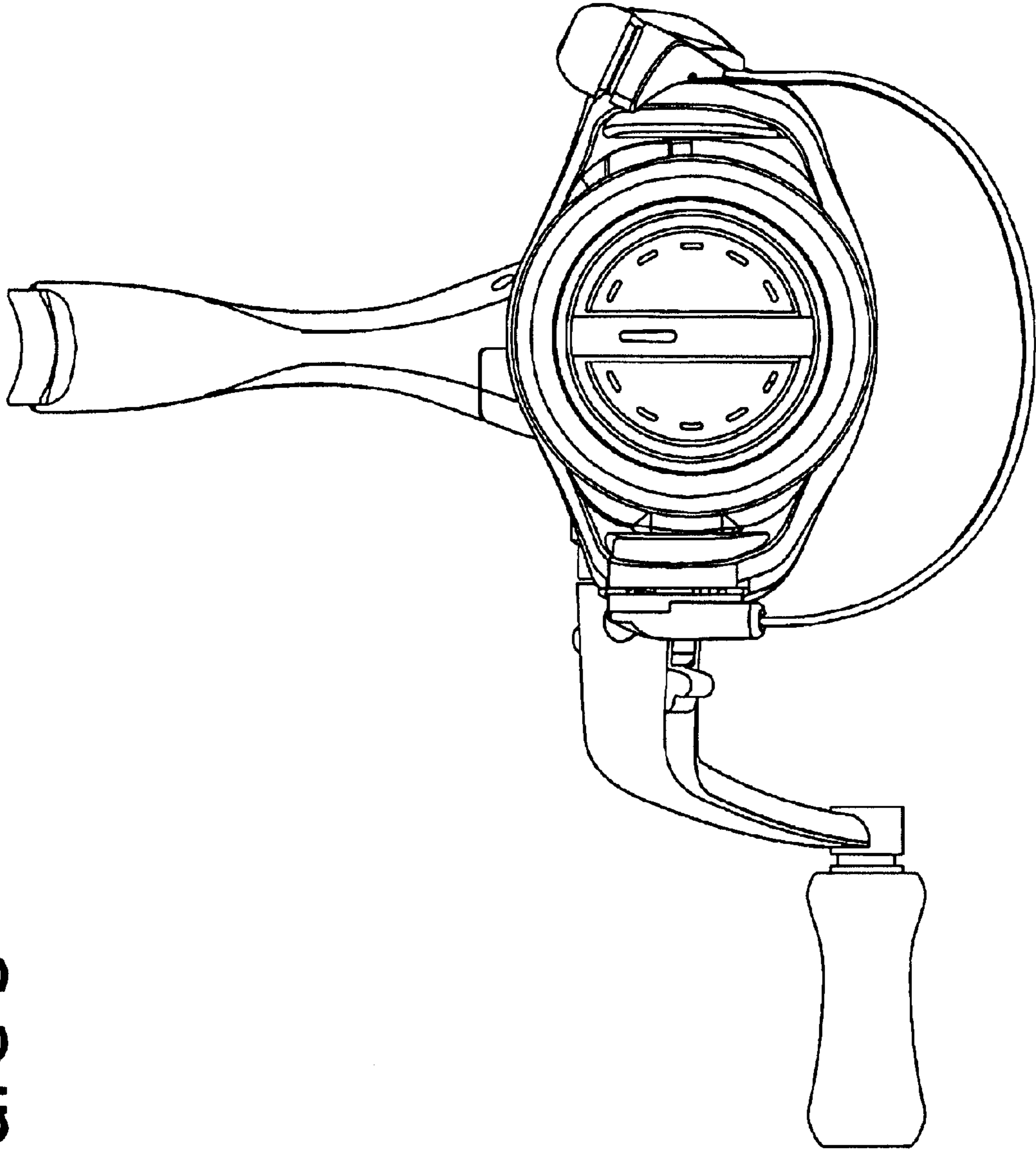


Figure 5

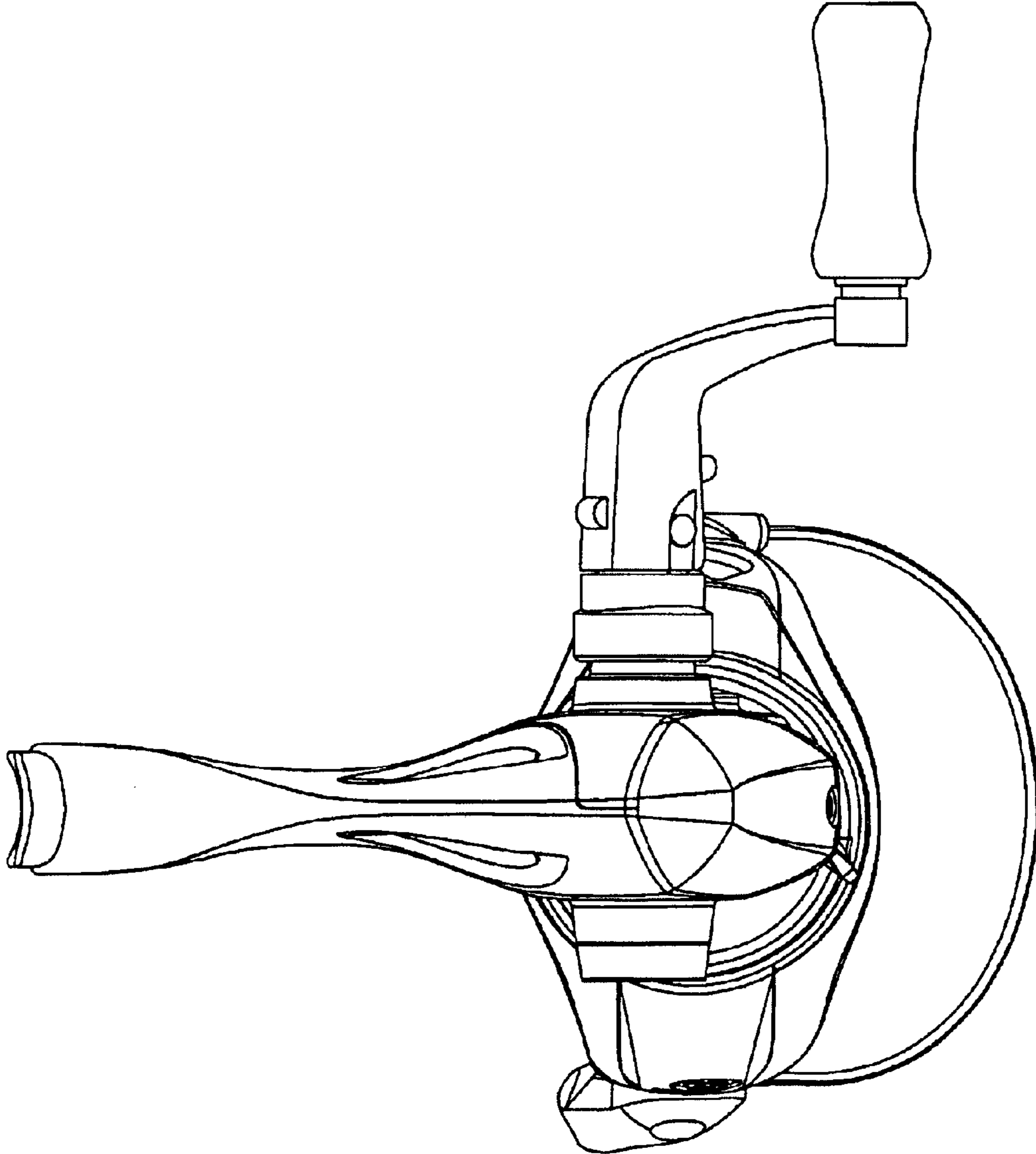


Figure 6

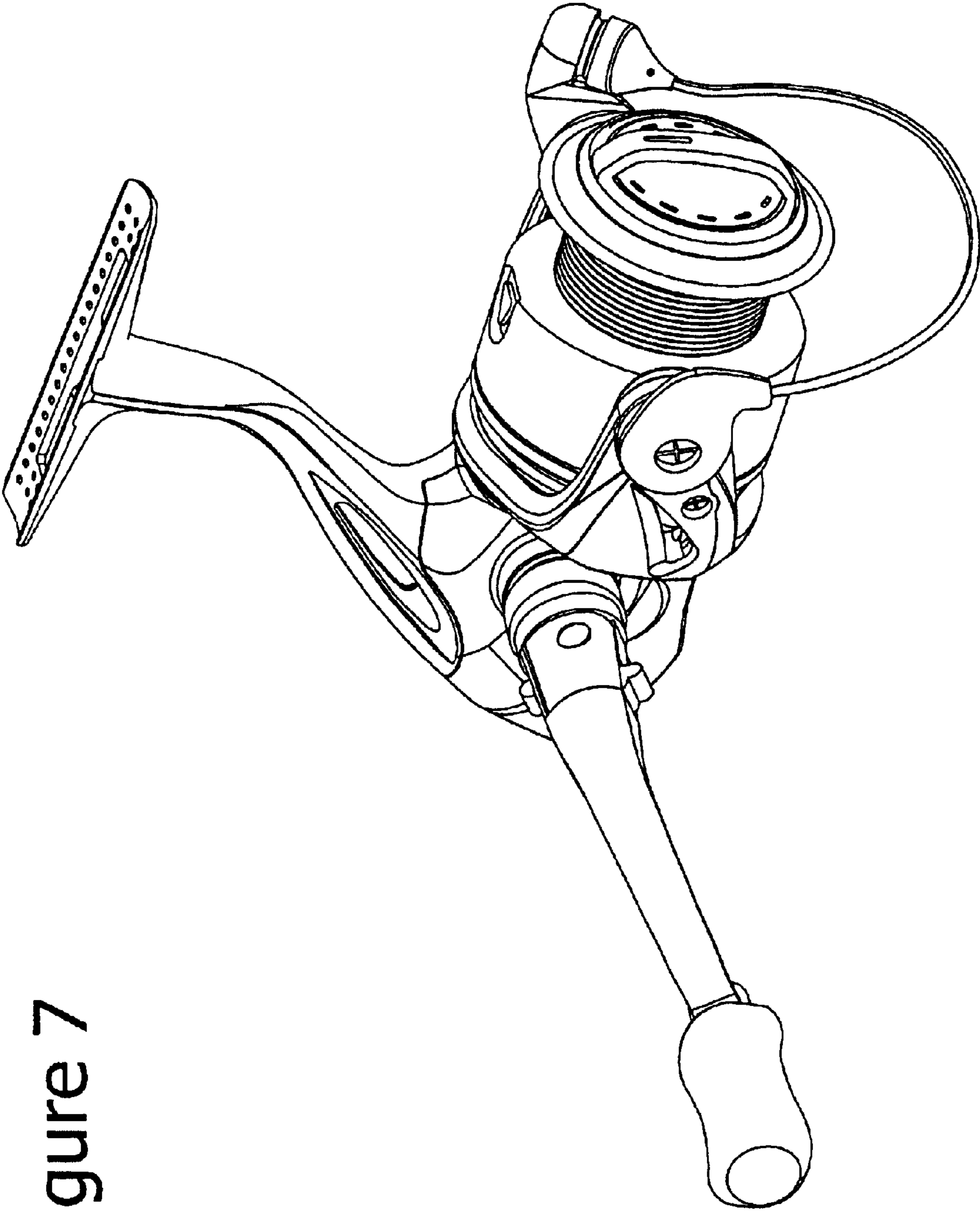


Figure 7

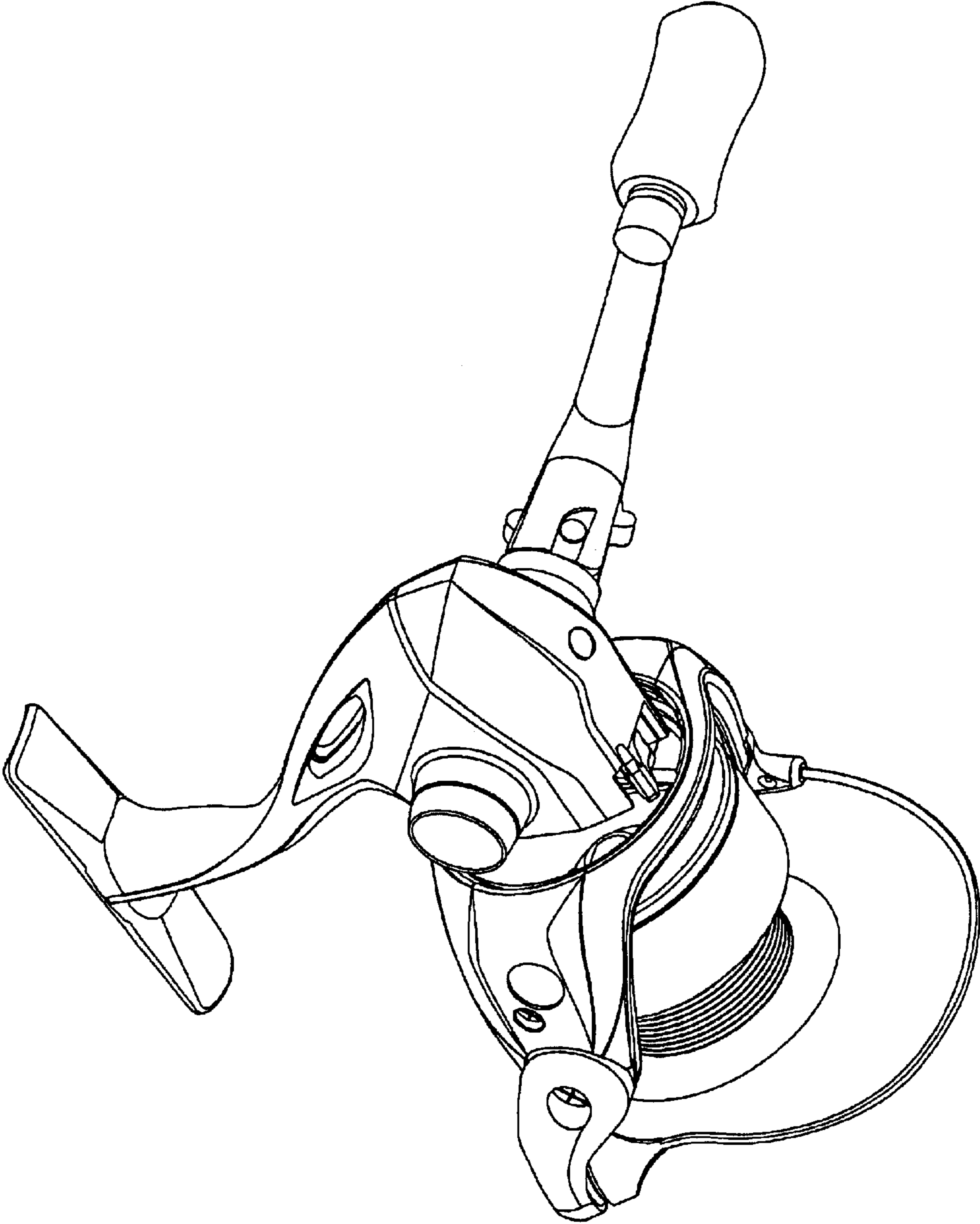


Figure 8