

US00D497968S1

(12) **United States Design Patent**
Huffman

(10) **Patent No.: US D497,968 S**

(45) **Date of Patent: ** Nov. 2, 2004**

(54) **ELECTRIC TEASER FISHING REEL**

(75) Inventor: **Carl T. Huffman**, Summerfield, NC (US)

(73) Assignee: **Electric Fishing Reel Systems**, Greensboro, NC (US)

(**) Term: **14 Years**

(21) Appl. No.: **29/195,579**

(22) Filed: **Dec. 12, 2003**

(51) **LOC (7) Cl.** **22-05**

(52) **U.S. Cl.** **D22/137**

(58) **Field of Search** D22/137, 140, D22/141, 138, 139; 242/381, 322, 118.3, 118.4, 118.6, 118.7, 311, 295; 43/20-21

(56) **References Cited**

U.S. PATENT DOCUMENTS

D331,093 S	*	11/1992	Kelly, Sr.	D22/137
D353,643 S	*	12/1994	Shipley	D22/140
D360,928 S	*	8/1995	Bogner	D22/140
D364,913 S	*	12/1995	Daffern	D22/137
D412,023 S	*	7/1999	Shields	D22/137
D456,874 S	*	5/2002	Park	D22/137

OTHER PUBLICATIONS

Melton International Tackle; 2000 Catalog; p. 97 bottom left corner—Teaser Reel.

Capt. Harry's Fishing Supply; 2002 Catalog; p. 40; top of the page—Teaser Reels.

Pacific Coast Sportfishing magazine; Dec. 2003 issue; p. 82 top left corner Reel Colors advertisement.

* cited by examiner

Primary Examiner—Catherine R. Oliver

(57) **CLAIM**

The ornamental design for an electric teaser fishing reel, as shown and described.

DESCRIPTION

FIG. 1 shows a bottom plan view of the teaser reel embodying by design;

FIG. 2 illustrates a front end view thereof, the rear end view being a mirror image thereof;

FIG. 3 illustrates a left side elevational view thereof;

FIG. 4 illustrates a right side elevational view thereof;

FIG. 5 is a top plan view thereof;

FIG. 6 is a bottom, left side, front end perspective view thereof;

FIG. 7 is a second embodiment of my design showing a bottom plan view thereof;

FIG. 8 is a front end view of the design shown in FIG. 7, the rear end view being a mirror image thereof;

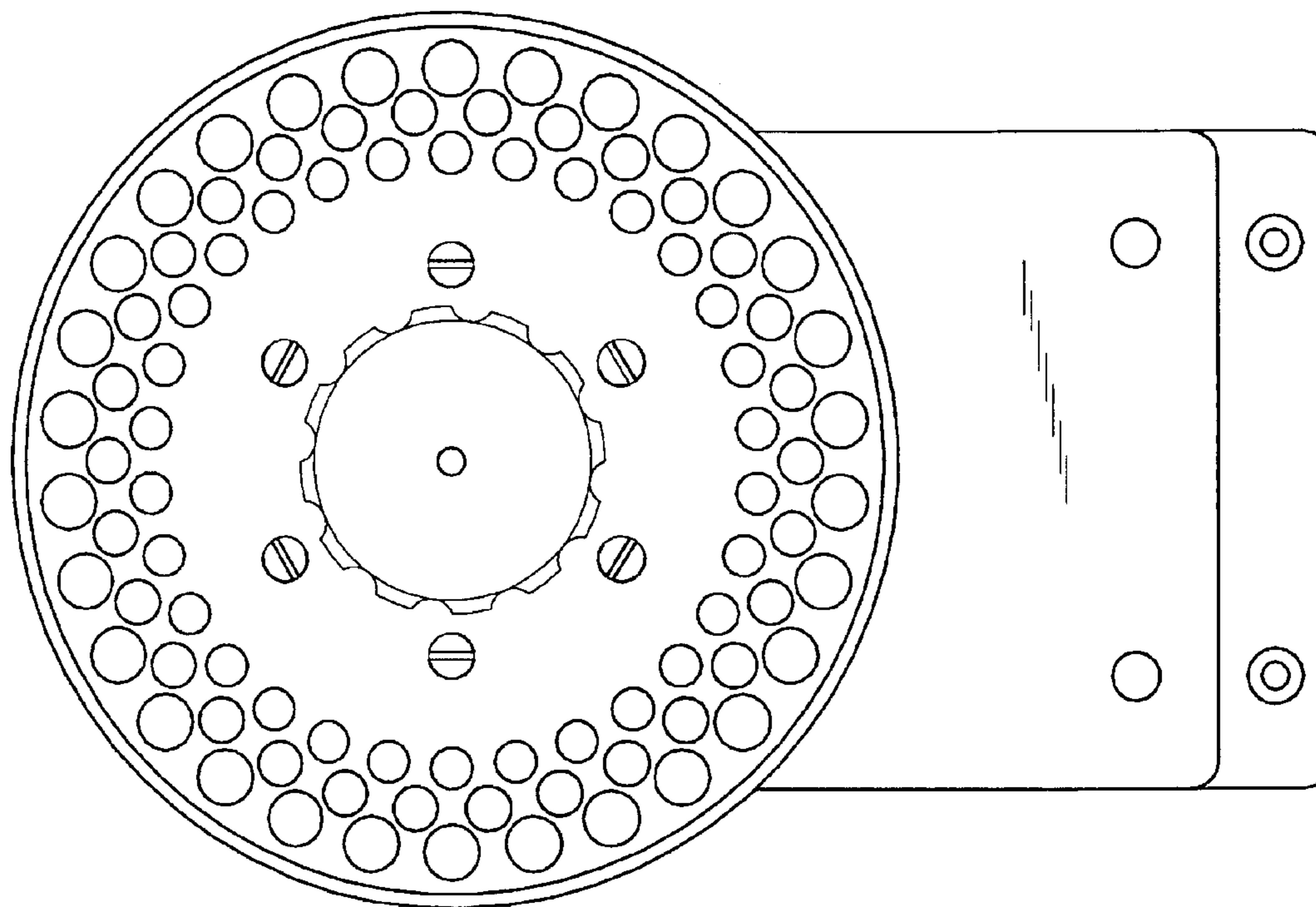
FIG. 9 is a left side elevational view thereof;

FIG. 10 is a right side elevational view thereof;

FIG. 11 is a top plan view thereof; and,

FIG. 12 is a bottom, left side, front end perspective view thereof.

1 Claim, 12 Drawing Sheets



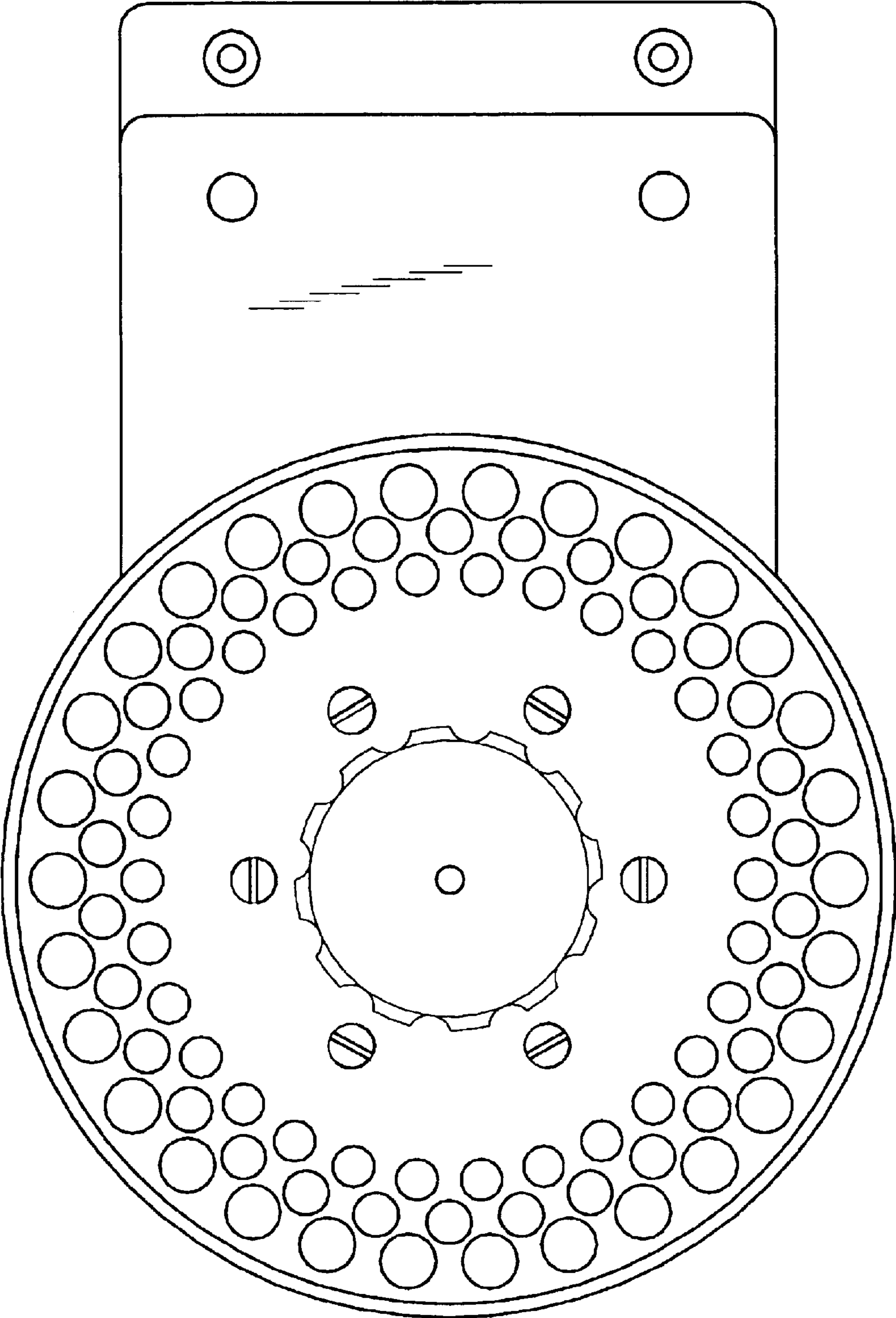


FIG. 1

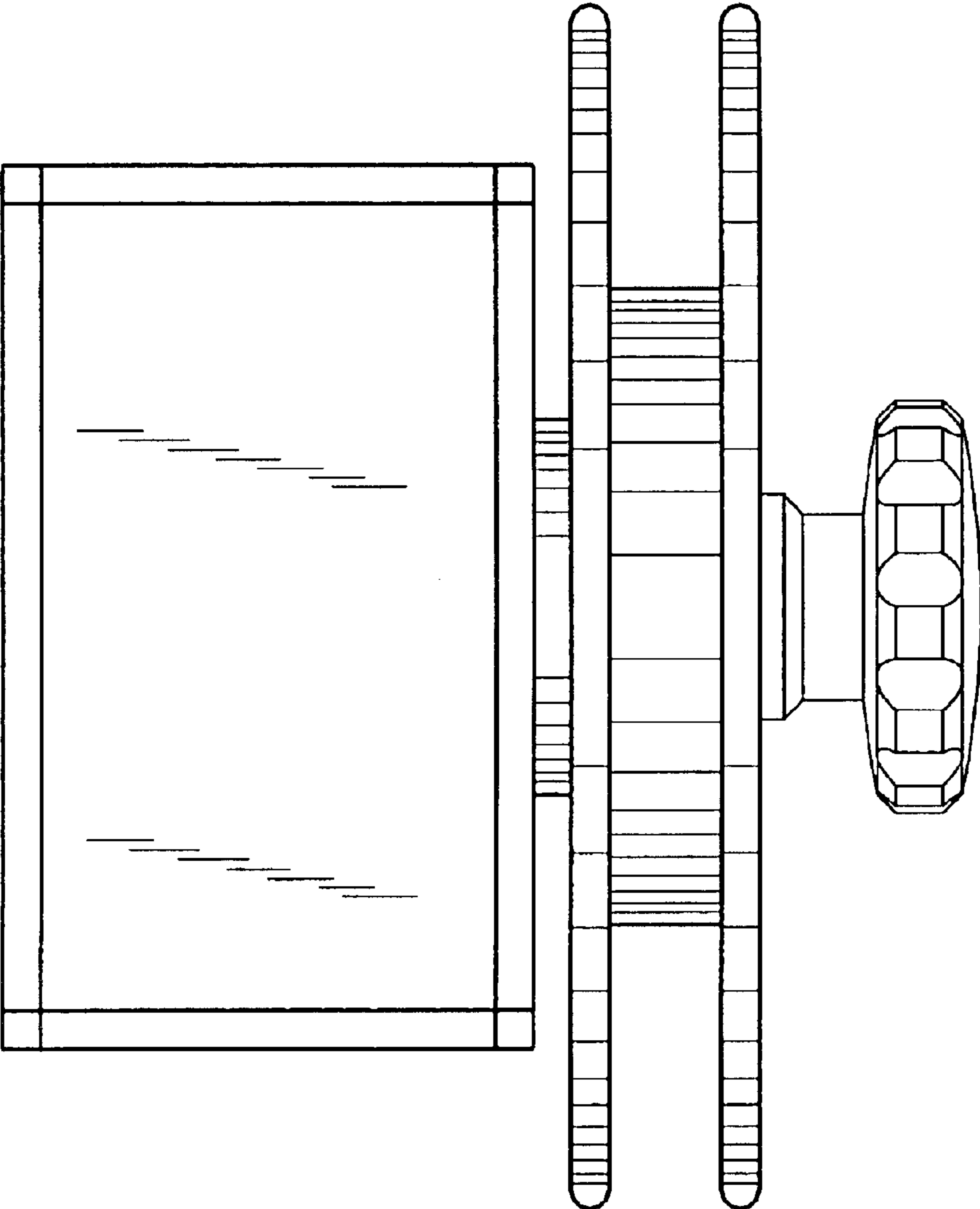


FIG. 2

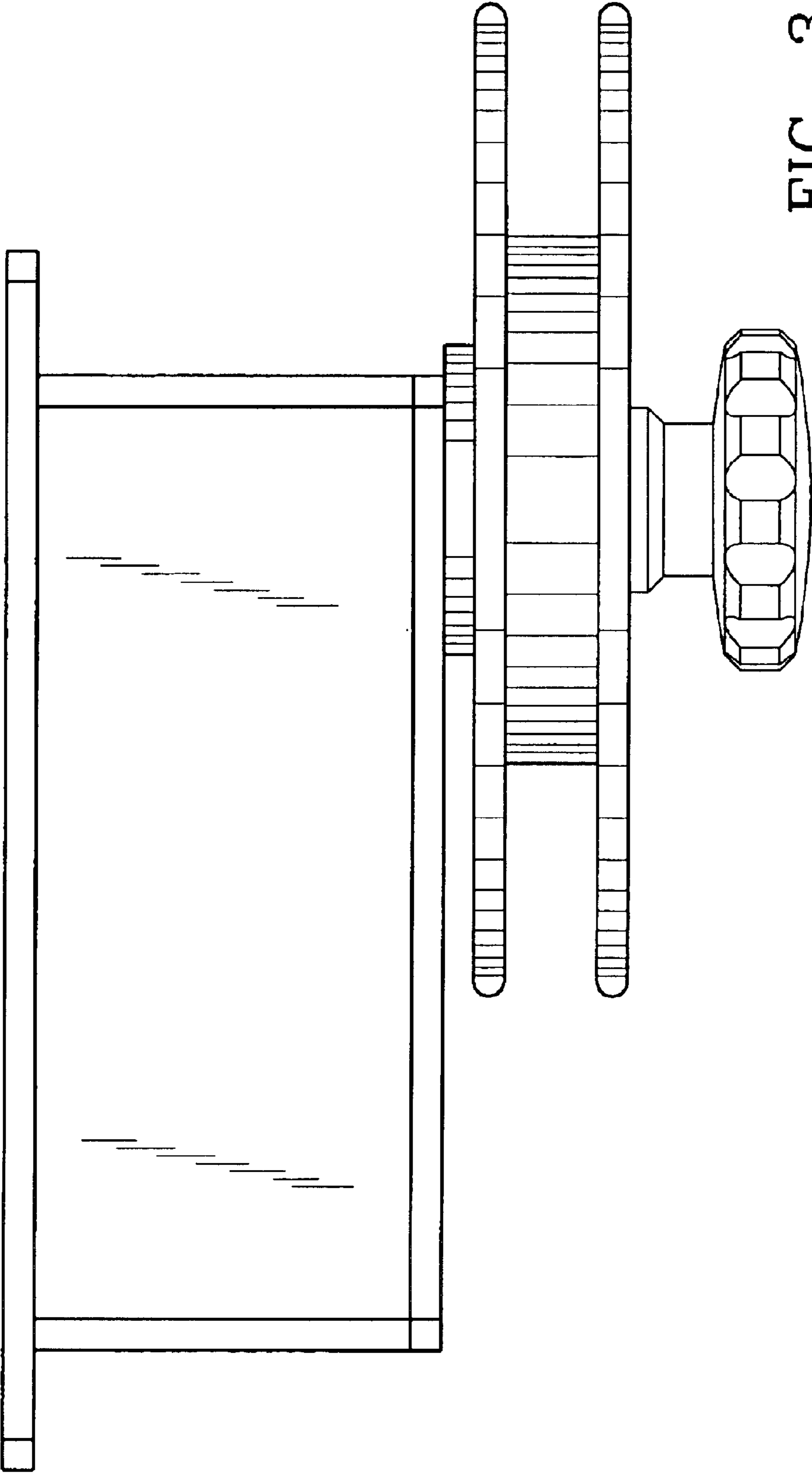


FIG. 3

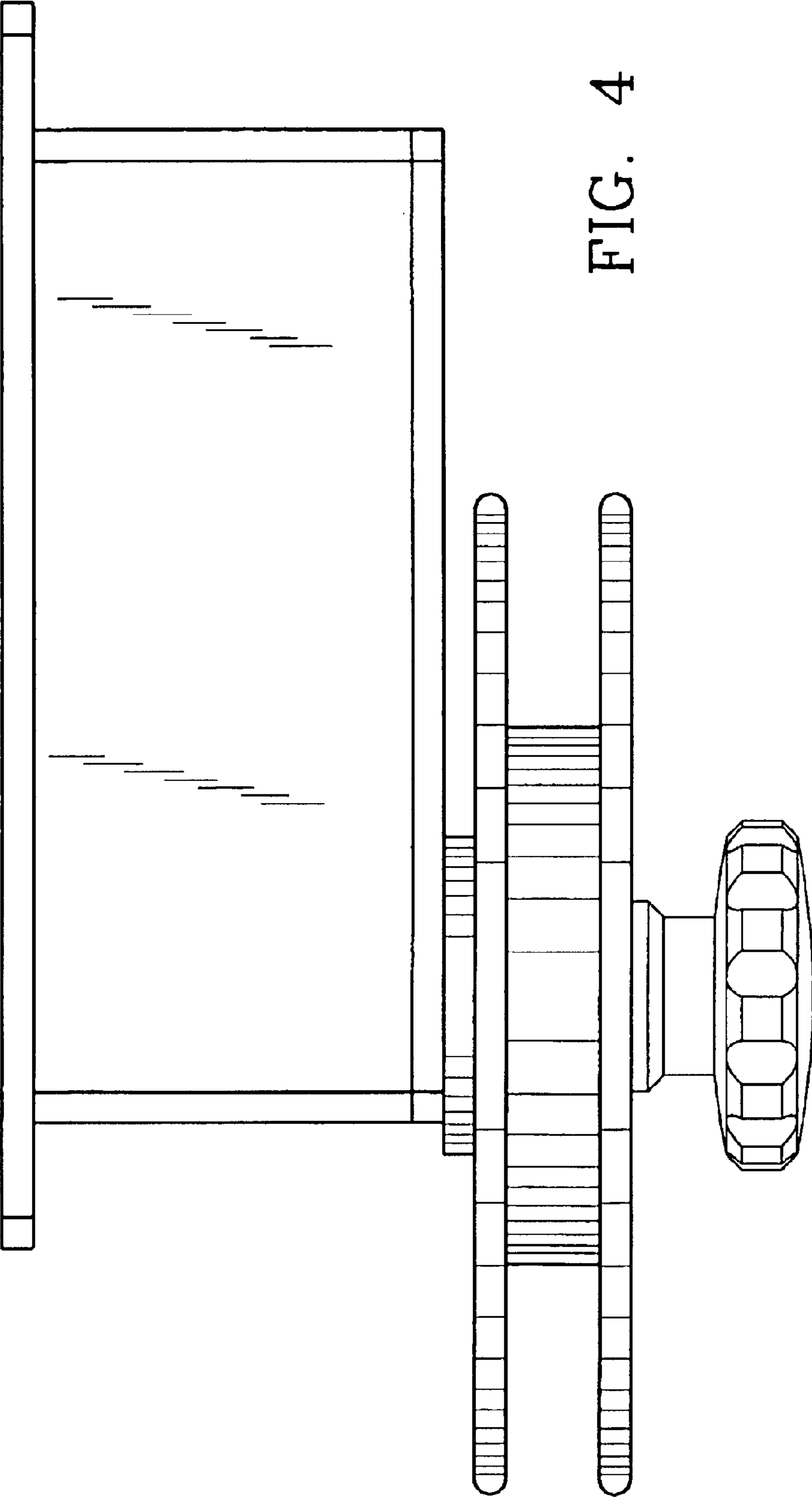


FIG. 4

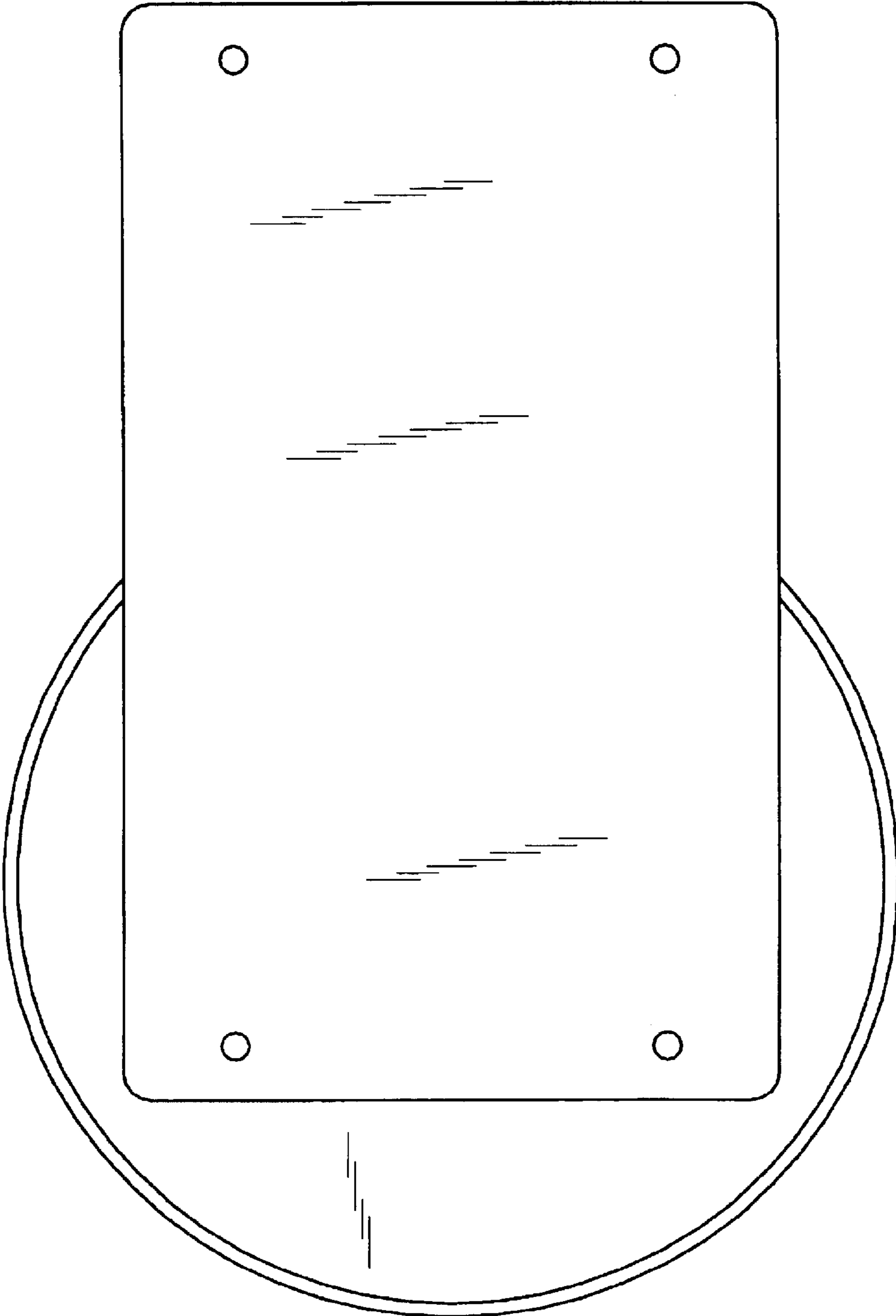


FIG. 5

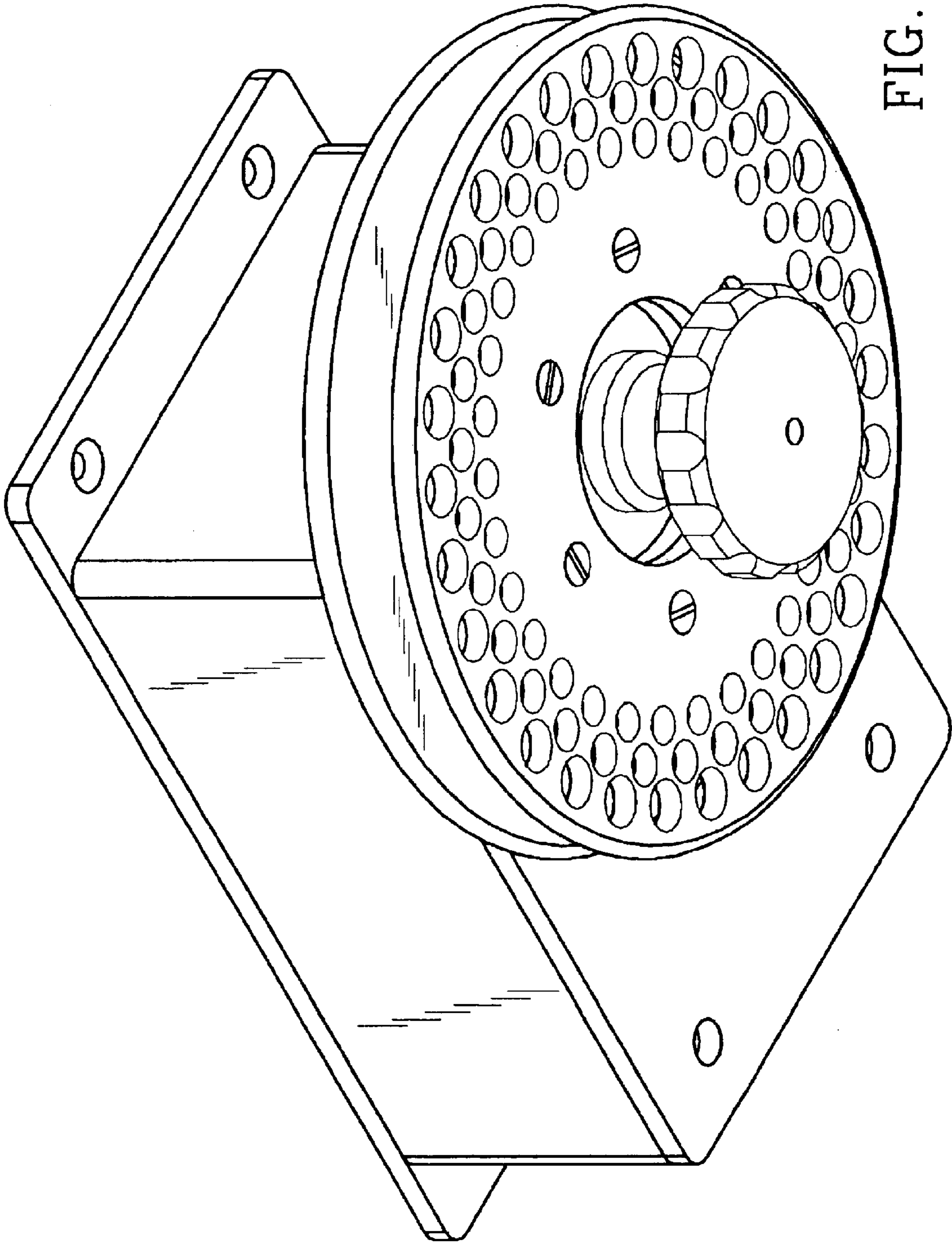


FIG. 6

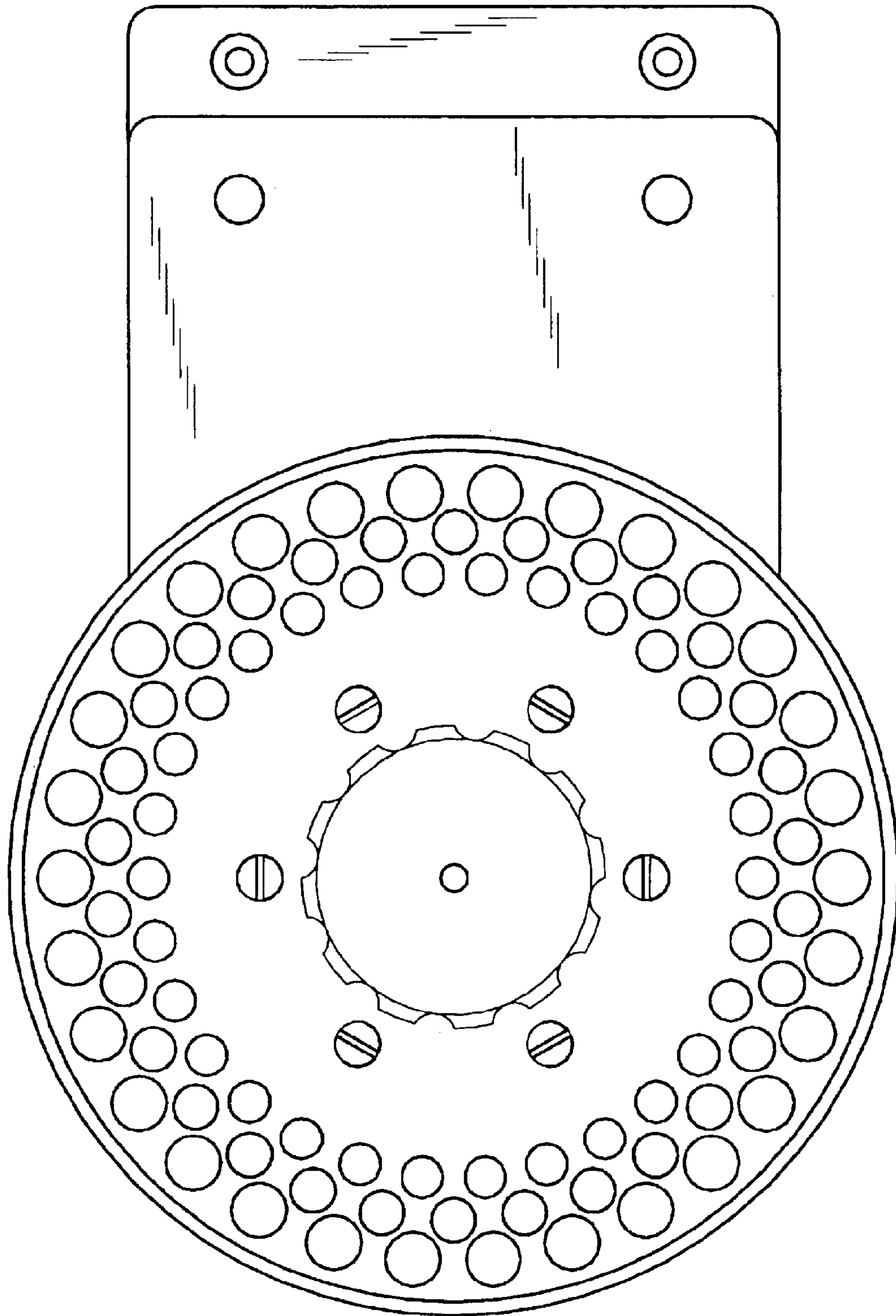


FIG. 7

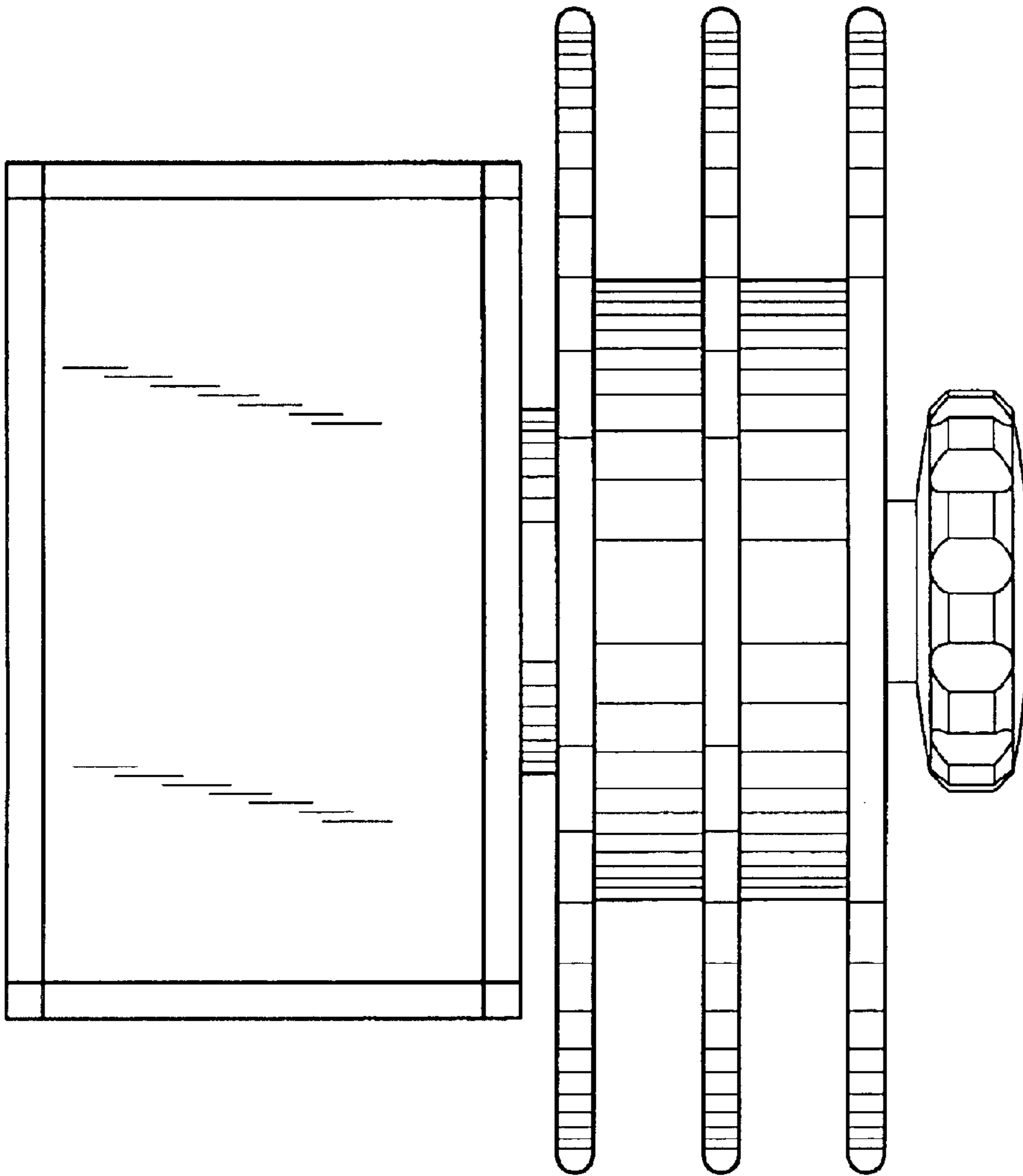


FIG. 8

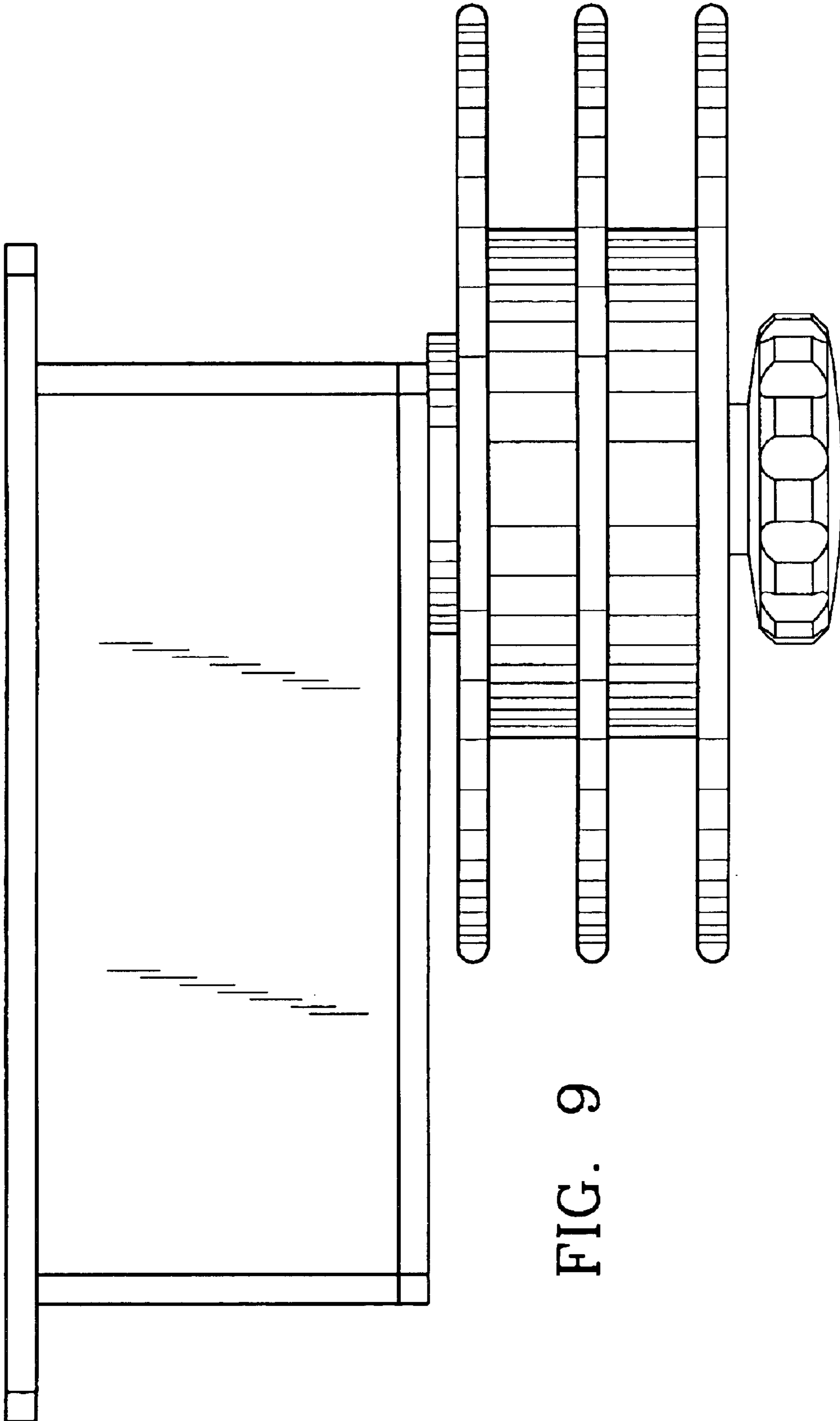


FIG. 9

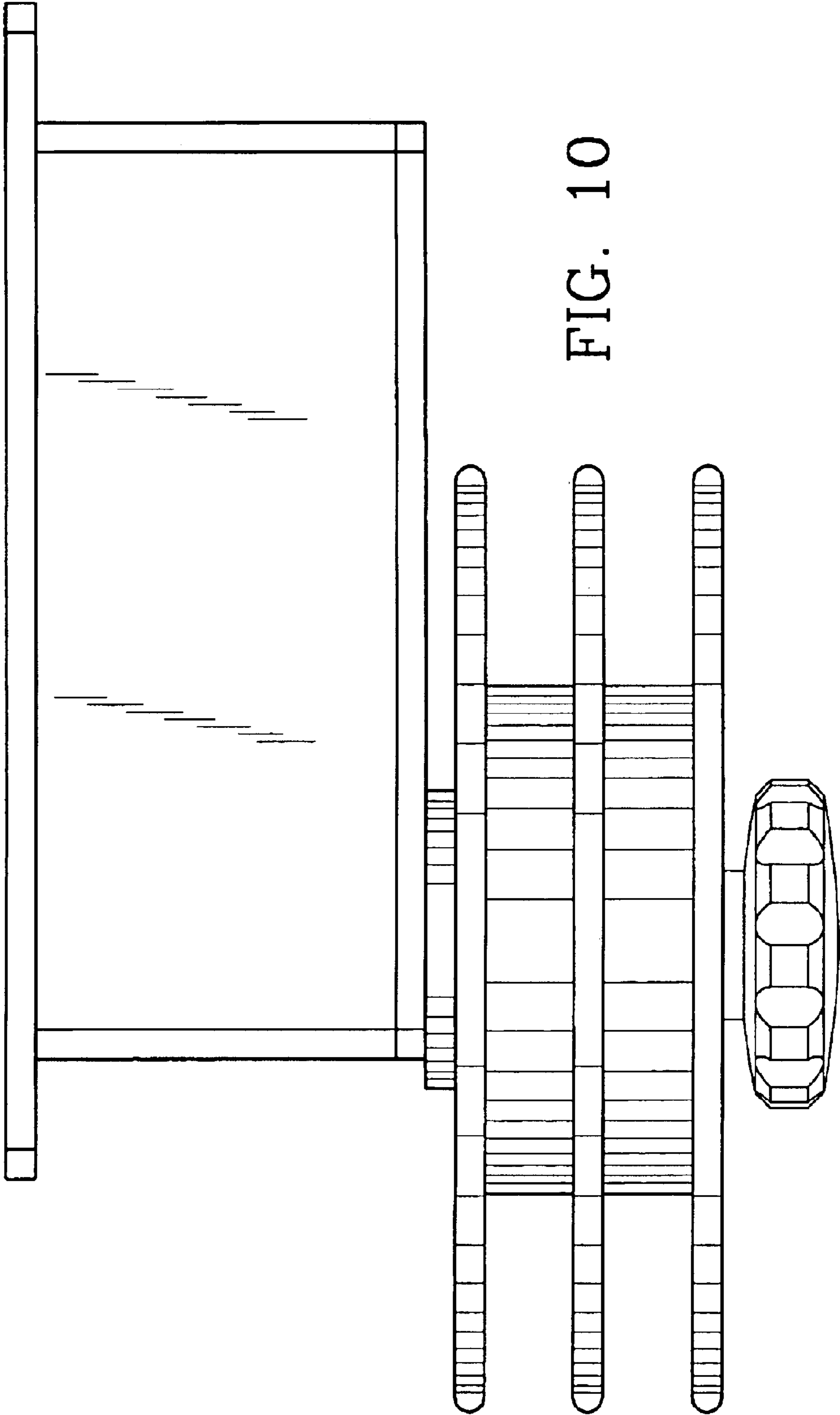


FIG. 10

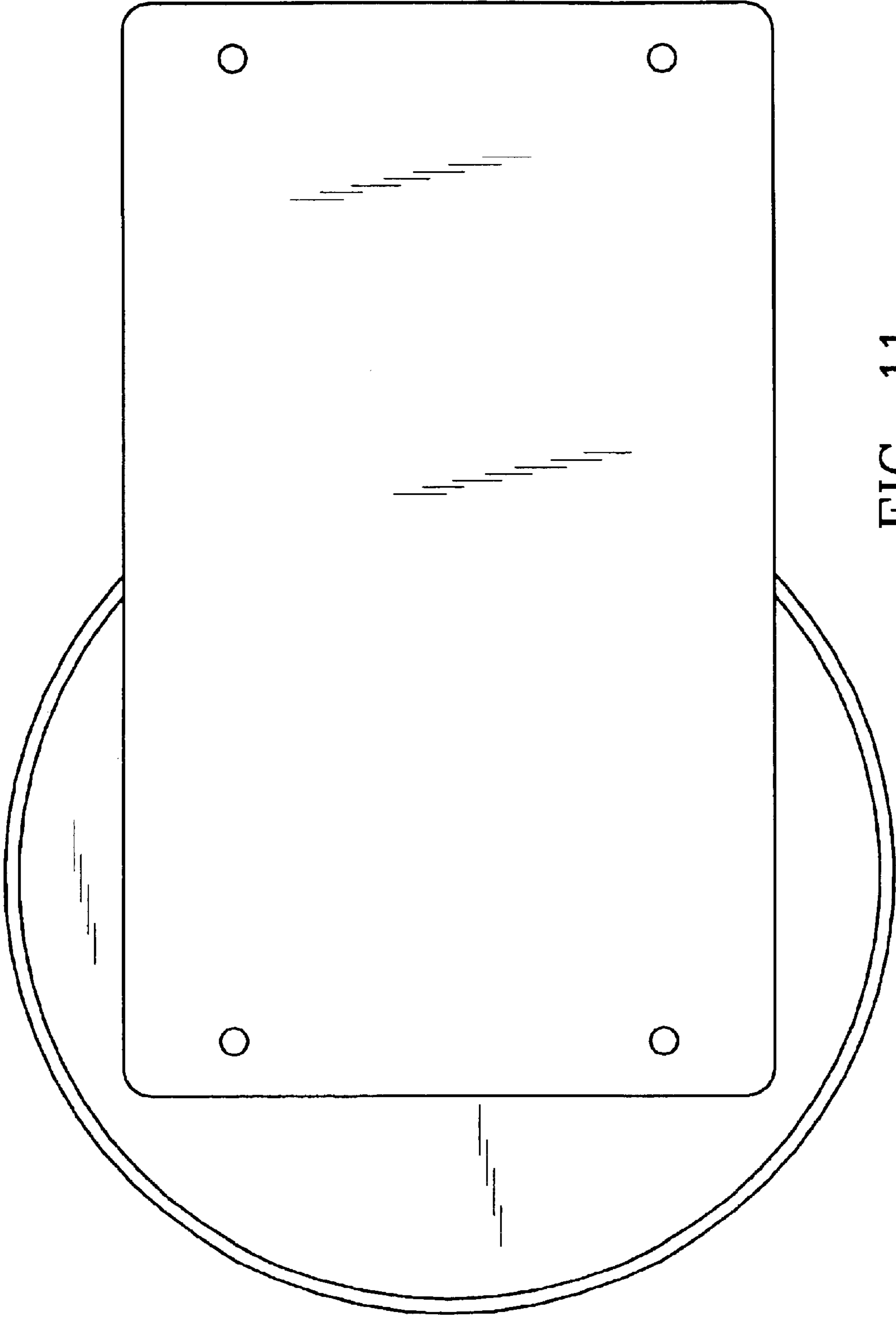


FIG. 11

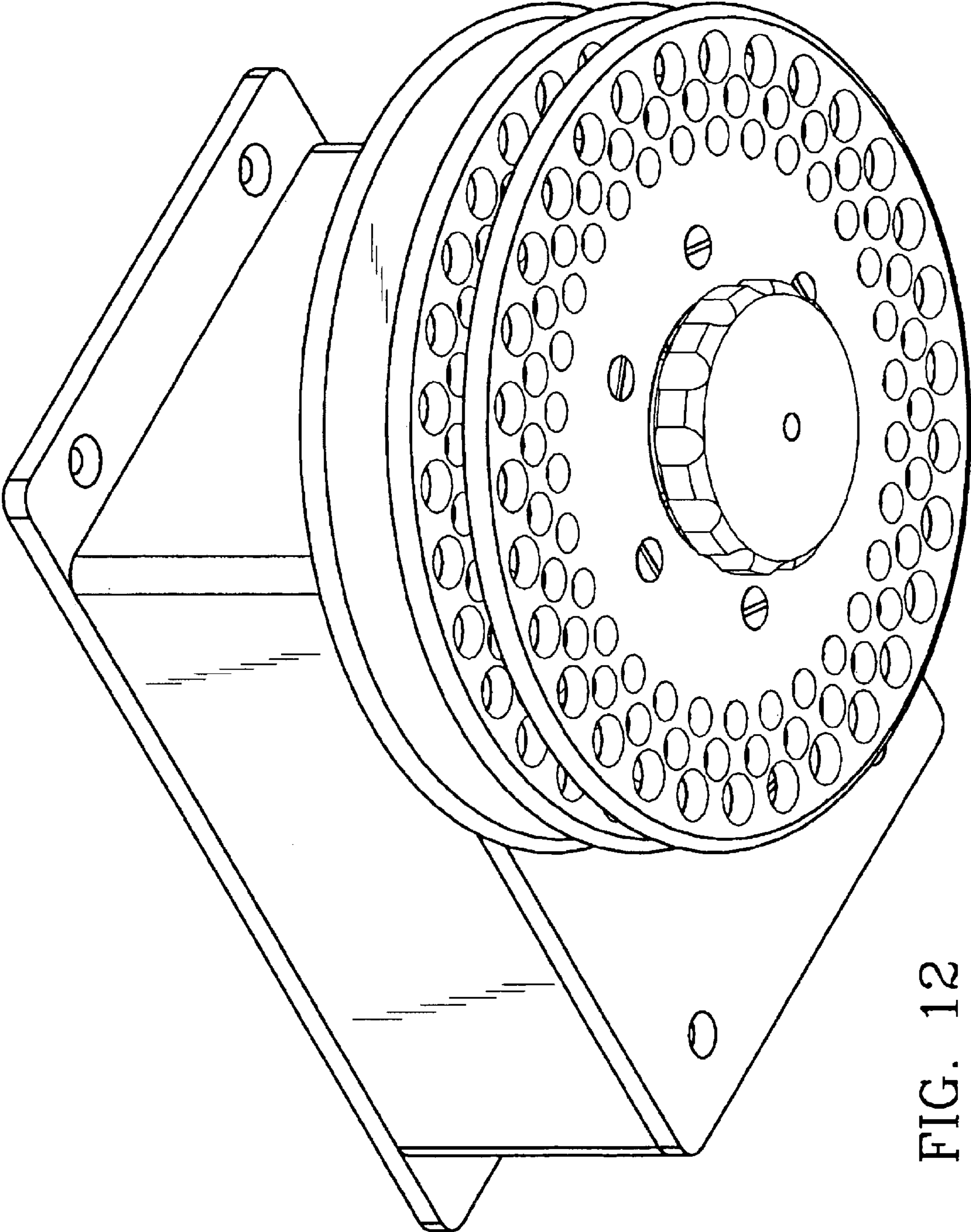


FIG. 12