

US00D497962S1

(12) **United States Design Patent**
Saunders et al.

(10) **Patent No.:** **US D497,962 S**
(45) **Date of Patent:** **** Nov. 2, 2004**

(54) **COMBINATION BASKETBALL GOAL AND SUPPORT APPARATUS**

(75) Inventors: **Craig Saunders**, River Road, OH (US);
Lindsey Tufts, Jr., Euclid, OH (US)

(73) Assignee: **Huffy Corporation**, Miamisburg, OH (US)

(**) Term: **14 Years**

(21) Appl. No.: **29/191,990**

(22) Filed: **Oct. 17, 2003**

(51) **LOC (7) Cl.** **21-02**

(52) **U.S. Cl.** **D21/702**

(58) **Field of Search** D21/302-309,
D21/698, 699, 701-705; 473/476-489

(56) **References Cited**

U.S. PATENT DOCUMENTS

3,025,058 A *	3/1962	Brumfield	473/483
3,341,197 A *	9/1967	Bottorff	473/483
4,260,154 A *	4/1981	Balbastro	473/472
4,834,369 A *	5/1989	Walsh	473/481
D321,846 S *	11/1991	Nys	D11/157
D327,928 S *	7/1992	Cochran	D21/703
5,160,138 A *	11/1992	Sanders	473/438

5,192,080 A *	3/1993	Duncan	273/412
D364,354 S *	11/1995	Nunes	D10/6
5,800,294 A *	9/1998	Naecker, Jr.	473/481
5,916,047 A *	6/1999	Schickert et al.	473/479
D421,086 S *	2/2000	Mollard	D21/811
6,432,003 B1 *	8/2002	van Nimwegen	473/481

* cited by examiner

Primary Examiner—Stella Reid

Assistant Examiner—C. Tuttle

(74) *Attorney, Agent, or Firm*—Howrey Simon Arnold & White, LLP; Michael J. Bell

(57) **CLAIM**

The ornamental design for a combination basketball goal and support apparatus, as shown and described.

DESCRIPTION

FIG. 1 is a perspective view of a combination basketball goal and support apparatus embodying our design.

FIG. 2 is a front elevational view thereof;

FIG. 3 is a rear elevational view thereof;

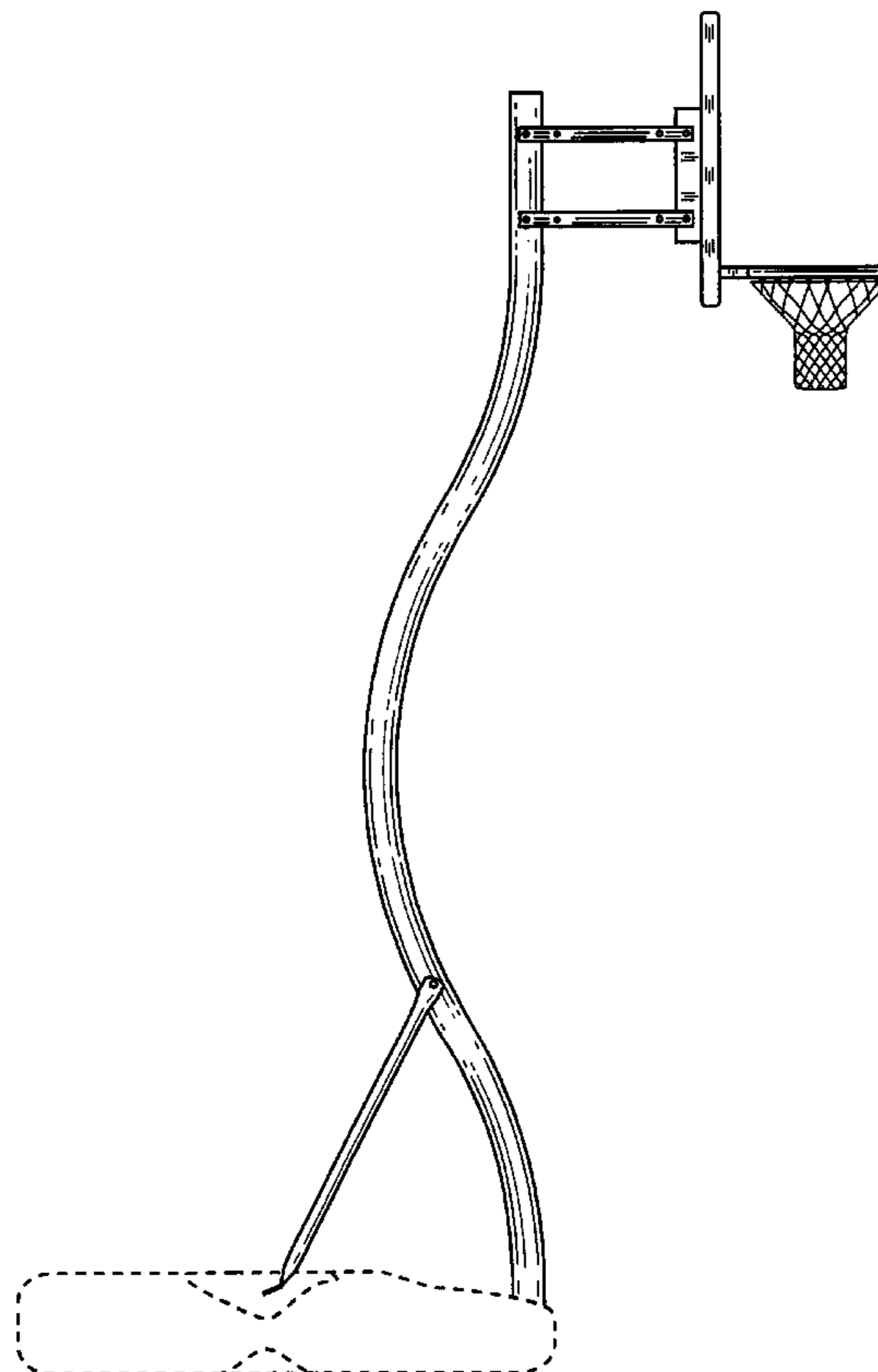
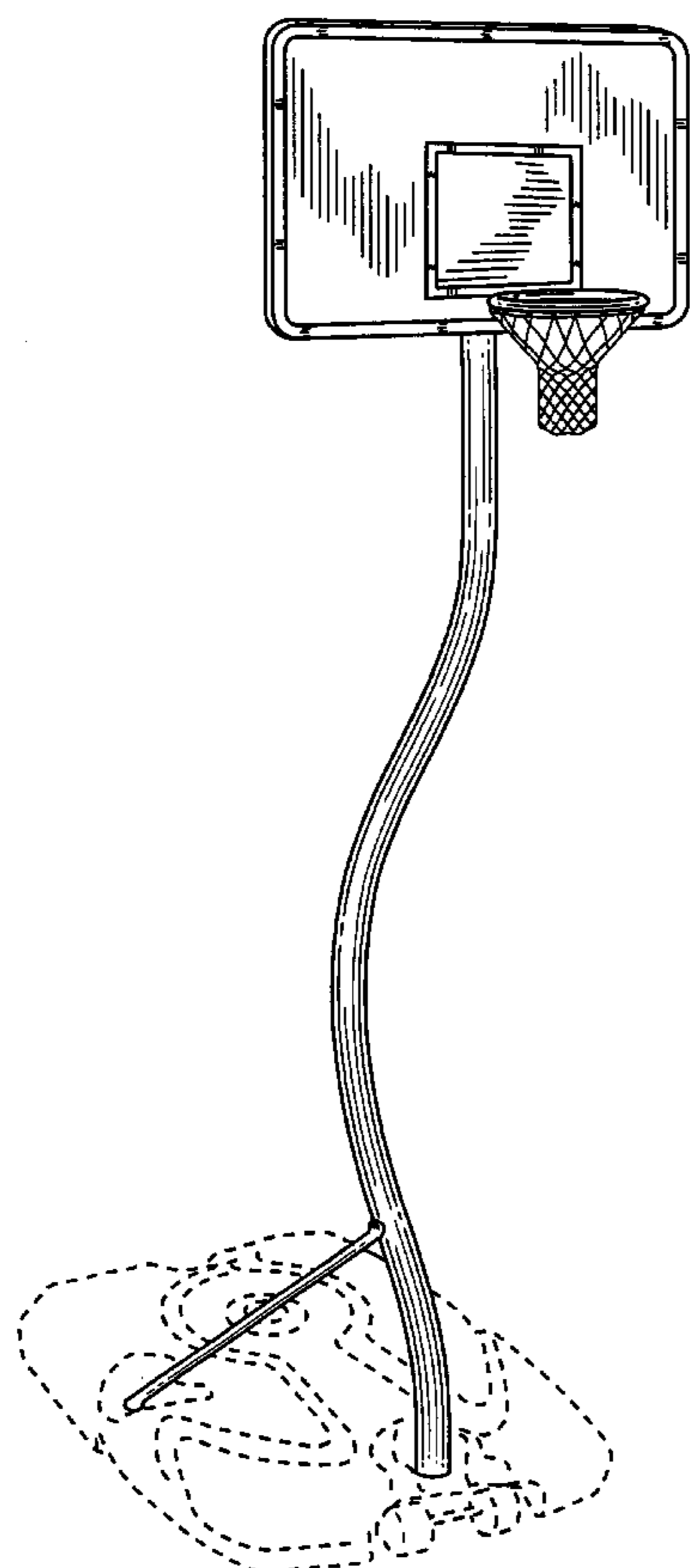
FIG. 4 is a right side elevational view thereof;

FIG. 5 is a left side elevational view thereof;

FIG. 6 is a top plan view thereof; and,

FIG. 7 is a bottom plan view thereof.

1 Claim, 7 Drawing Sheets



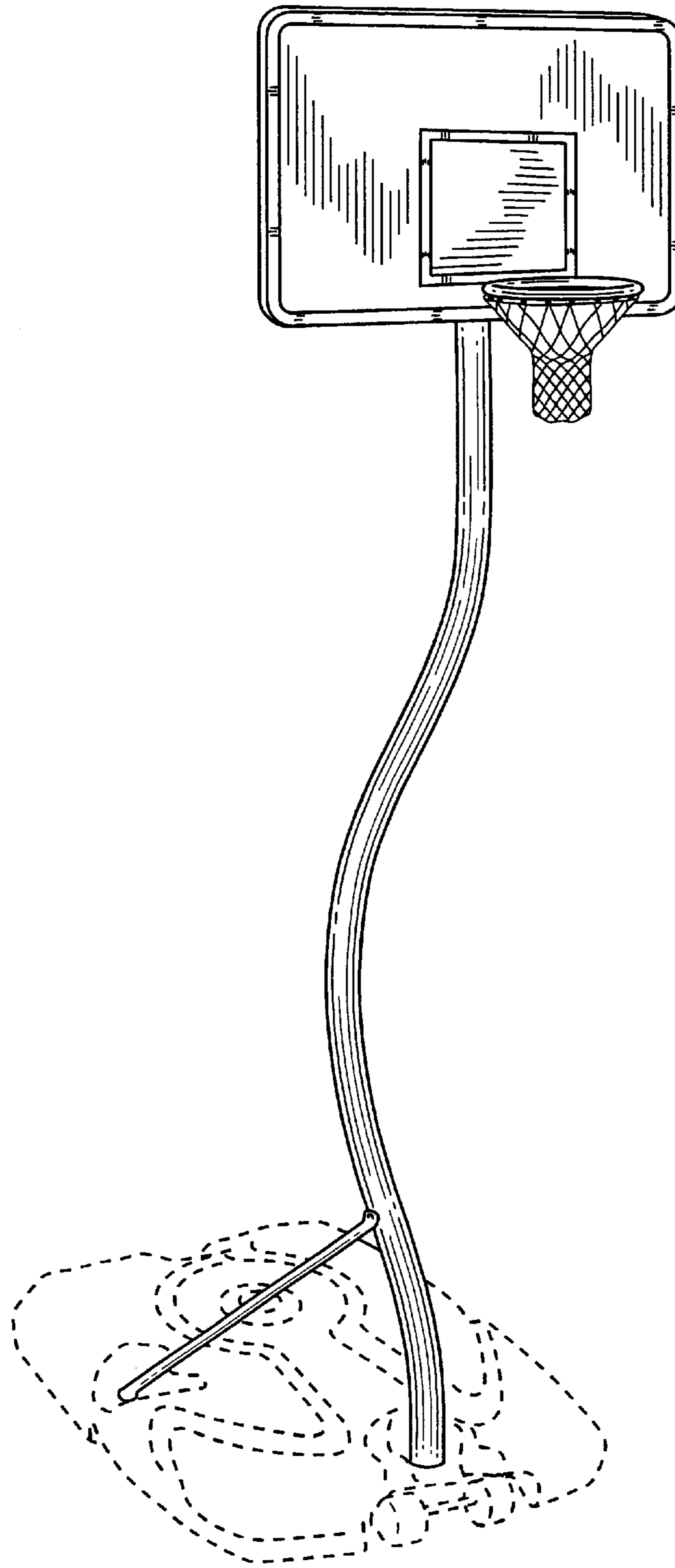


FIG. 1

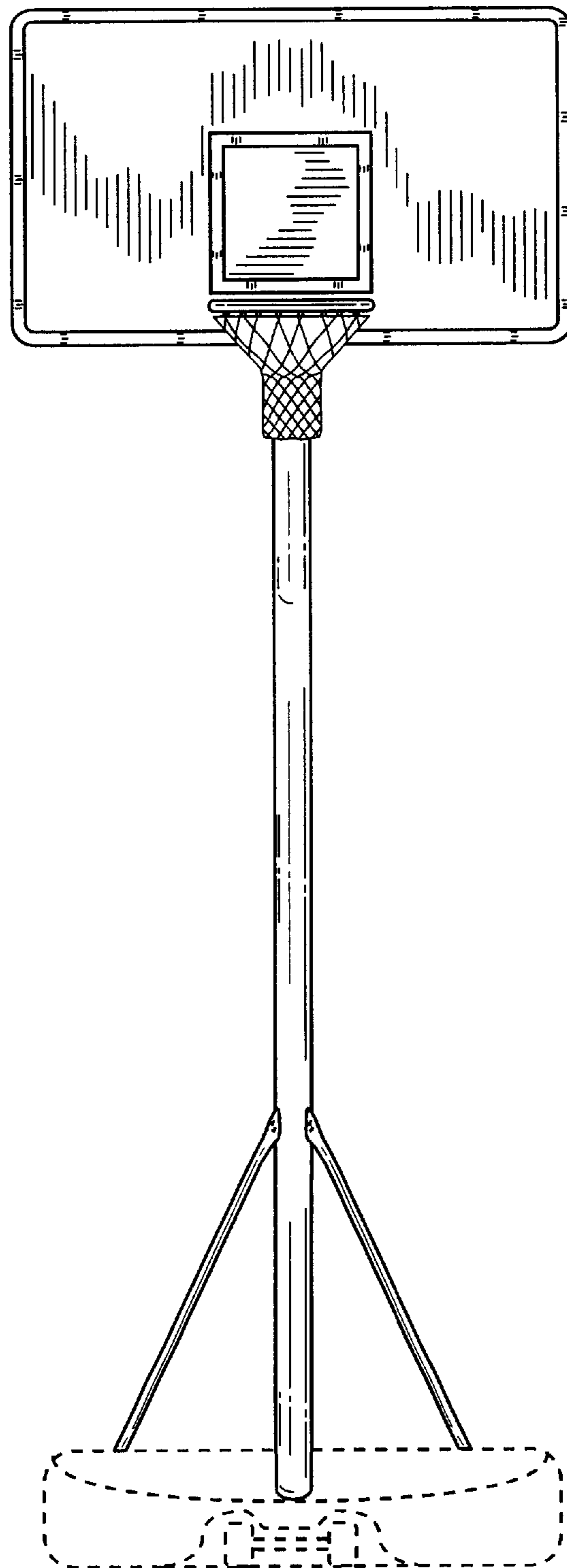


FIG. 2

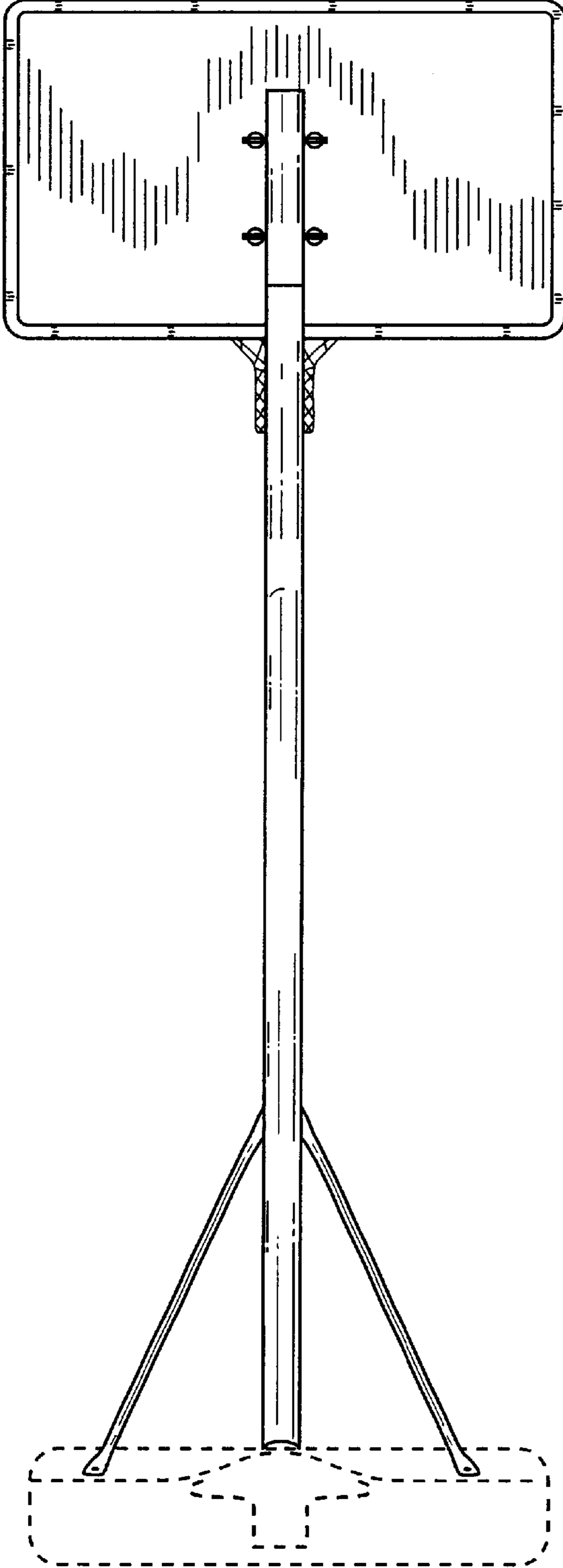


FIG. 3

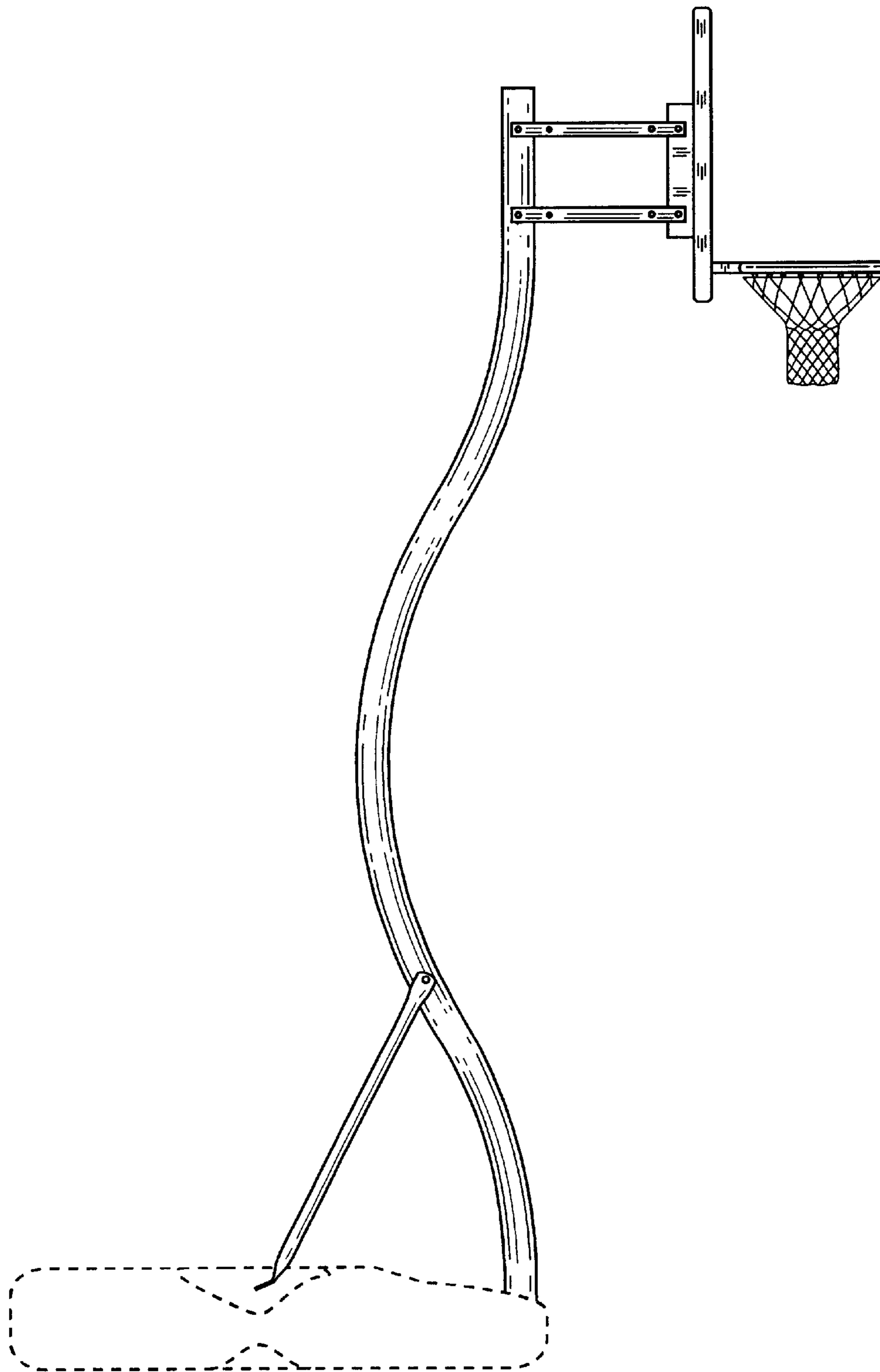


FIG. 4

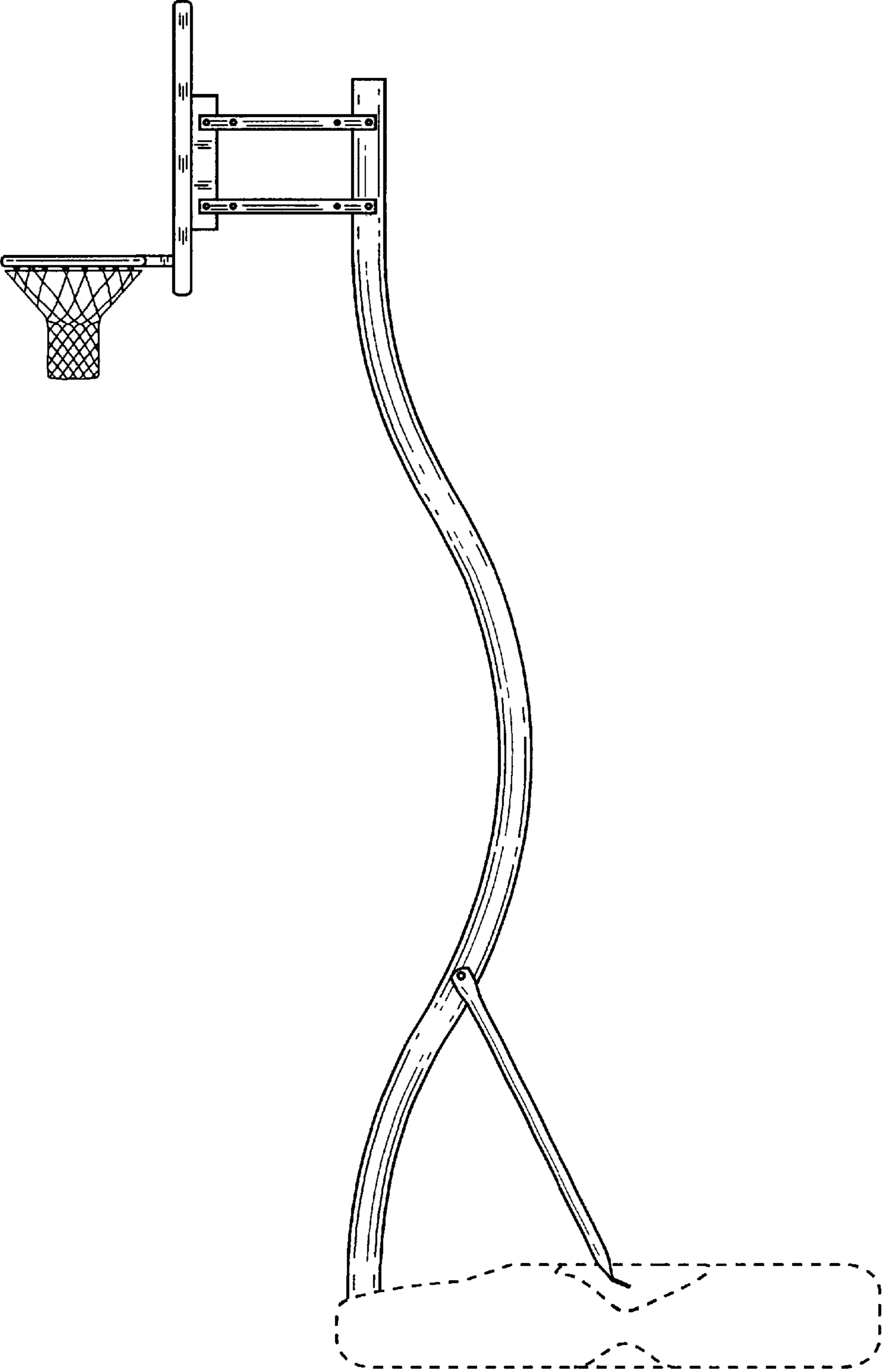


FIG. 5

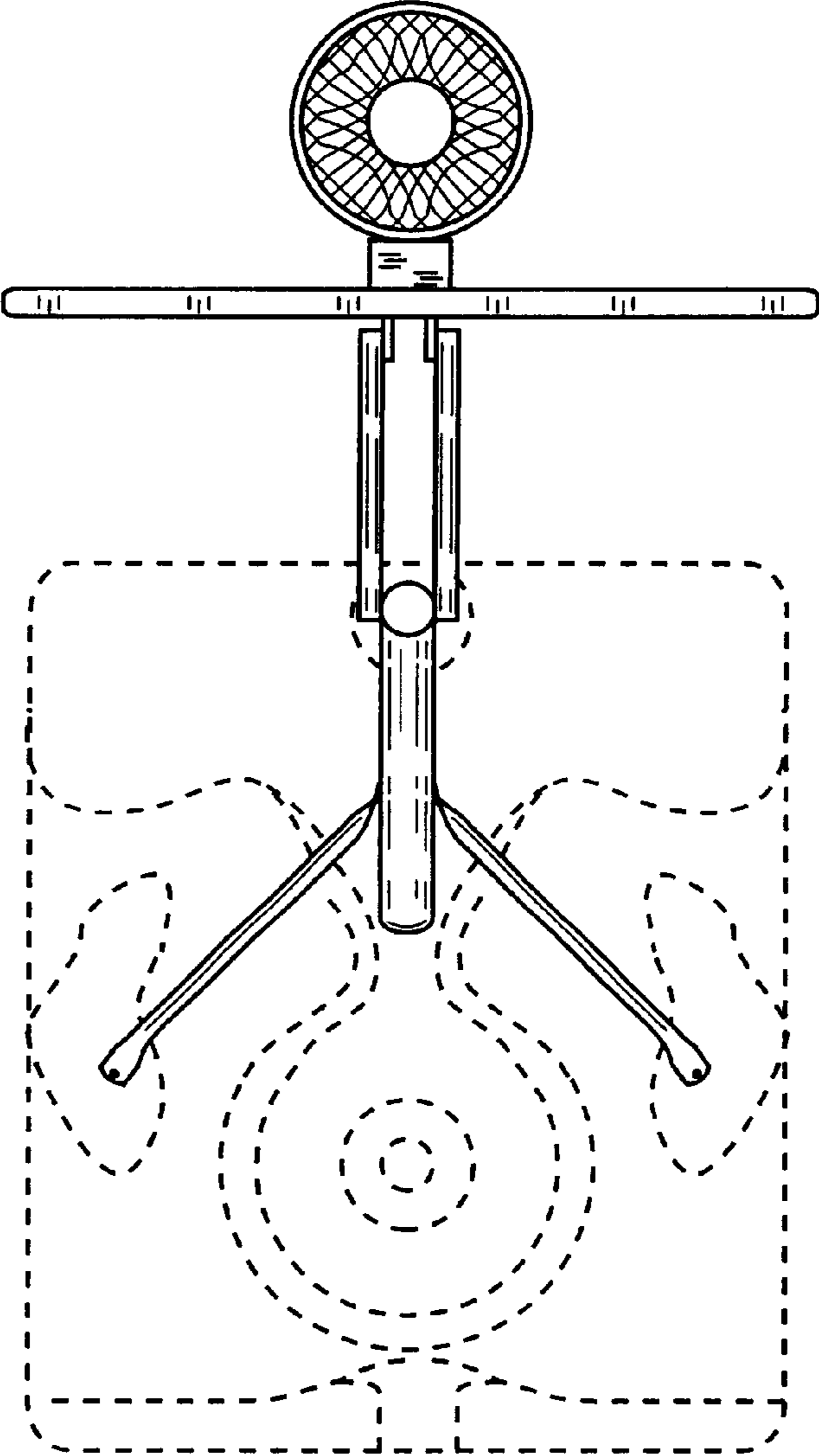


FIG. 6

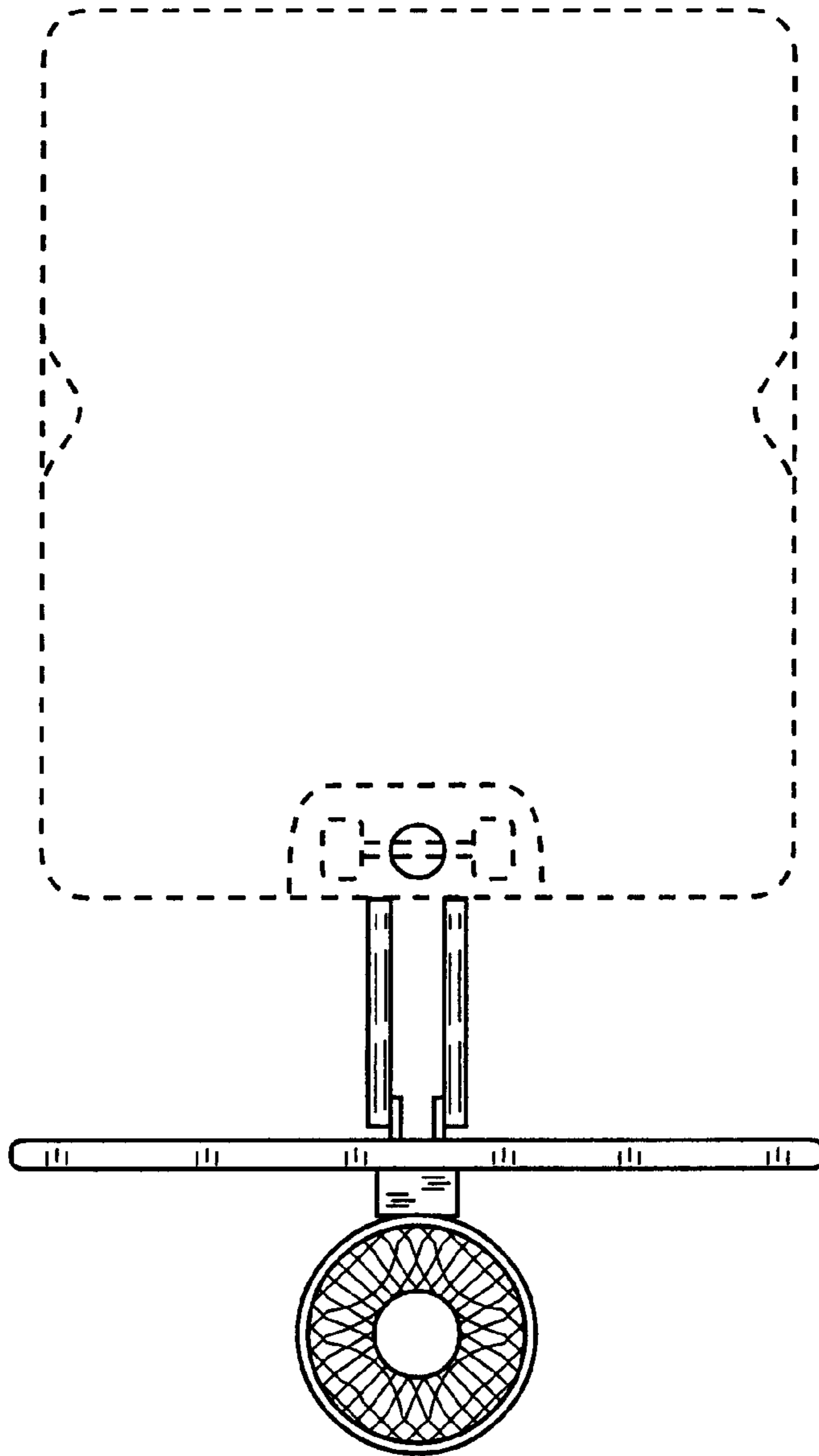


FIG. 7