

US00D497960S1

(12) **United States Design Patent**
Barringer

(10) **Patent No.: US D497,960 S**

(45) **Date of Patent: ** Nov. 2, 2004**

(54) **ARM WRESTLING MACHINE**

D373,804 S * 9/1996 Hurley D21/677
5,613,927 A * 3/1997 Rothacker 482/123
5,655,769 A * 8/1997 Arcari 273/110

(75) **Inventor: Jack E. Barringer, Ames, IA (US)**

(73) **Assignee: Reality Sport Entertainment, Inc.,
Ames, IA (US)**

(**) **Term: 14 Years**

* cited by examiner

Primary Examiner—Philip S. Hyder

(74) *Attorney, Agent, or Firm*—McKee, Voorhees & Sease,
P.L.C.

(21) **Appl. No.: 29/185,254**

(57) **CLAIM**

(22) **Filed: Jun. 25, 2003**

I claim the ornamental design for an arm wrestling machine,
as shown and described.

(51) **LOC (7) Cl. 21-02**

(52) **U.S. Cl. D21/677**

(58) **Field of Search** D21/677, 684,
D21/662; 482/123, 44, 45, 46, 93, 94, 97,
129, 905; 273/452

DESCRIPTION

FIG. 1 is a perspective view of the arm wrestling machine
of the present invention.

FIG. 2 is a front elevation view of the arm wrestling machine
of the present invention, the rear elevation view being
identical.

FIG. 3 is an end elevation view of the machine.

FIG. 4 is a top plan view of the machine; and,

FIG. 5 is a bottom plan view of the machine.

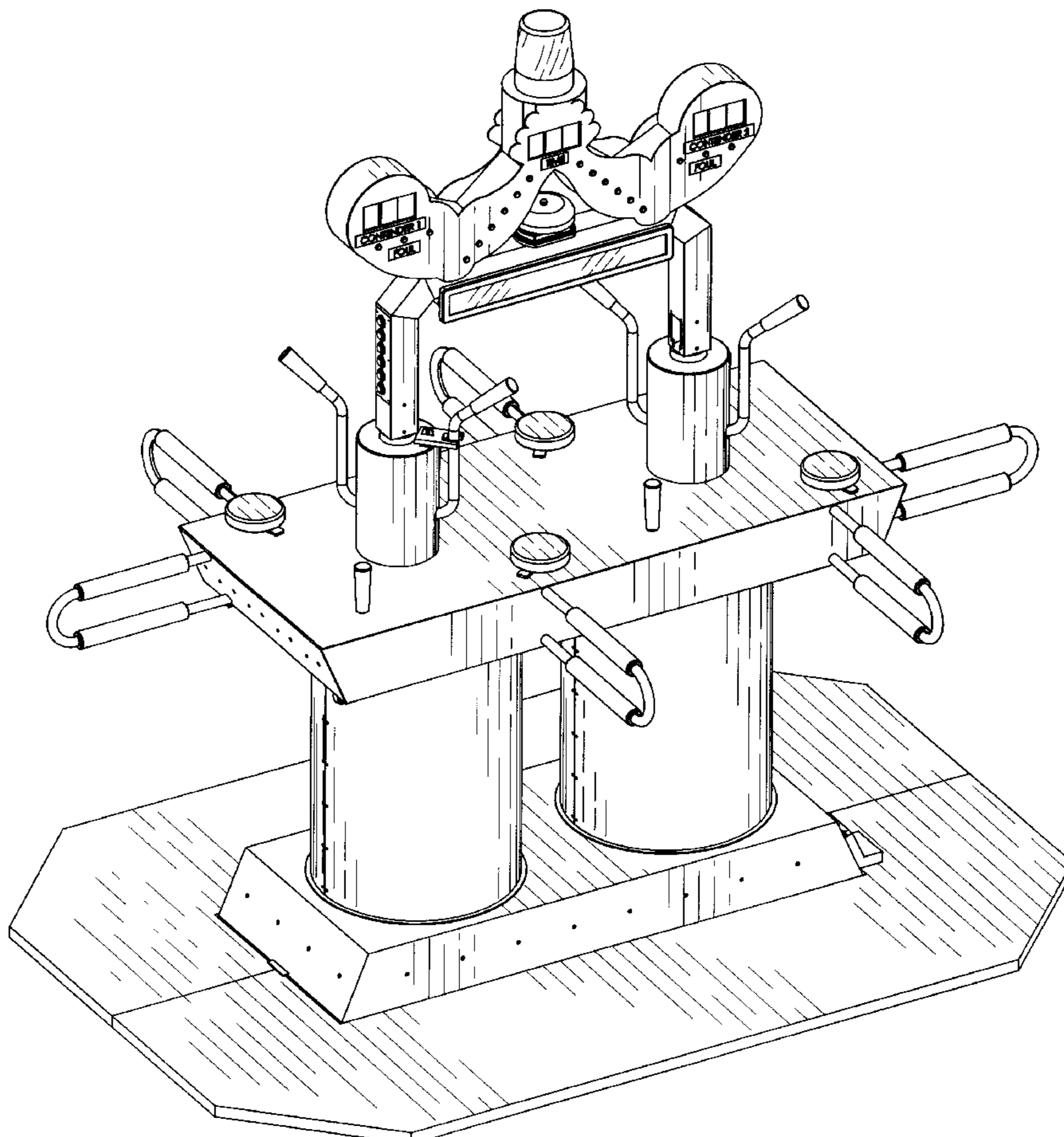
Elements shown in broken lines are for illustrative purposes
only, and do not form a part of the claimed invention.

(56) **References Cited**

U.S. PATENT DOCUMENTS

4,131,275 A * 12/1978 Gandy et al. 273/451
4,184,675 A * 1/1980 Rogerson 482/113
4,214,748 A * 7/1980 Blackmon 482/123
D261,294 S 10/1981 Clink et al.
4,846,468 A * 7/1989 McCoy et al. 273/451
5,431,616 A * 7/1995 Centofante 482/123

1 Claim, 4 Drawing Sheets



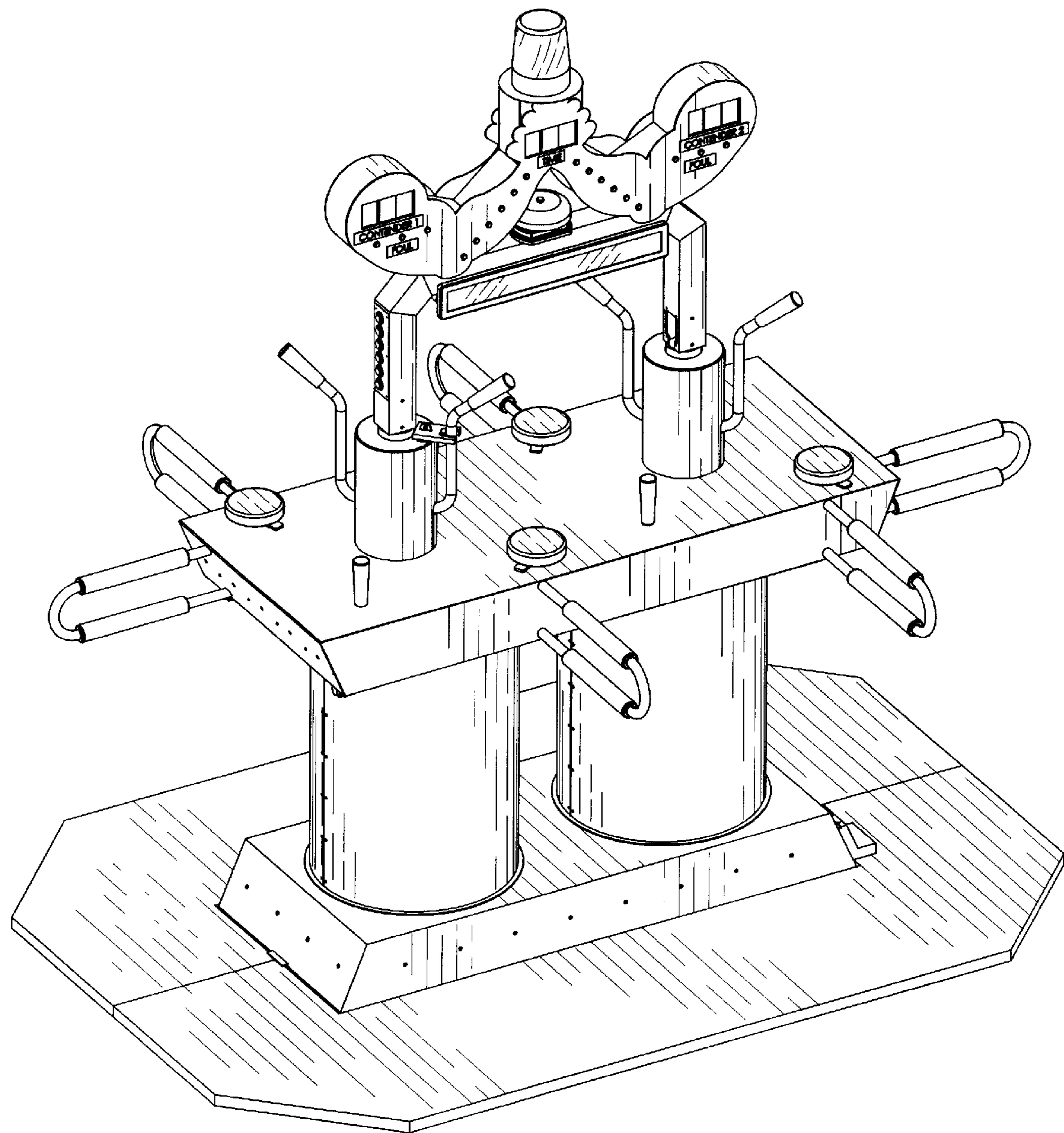


FIG. 1

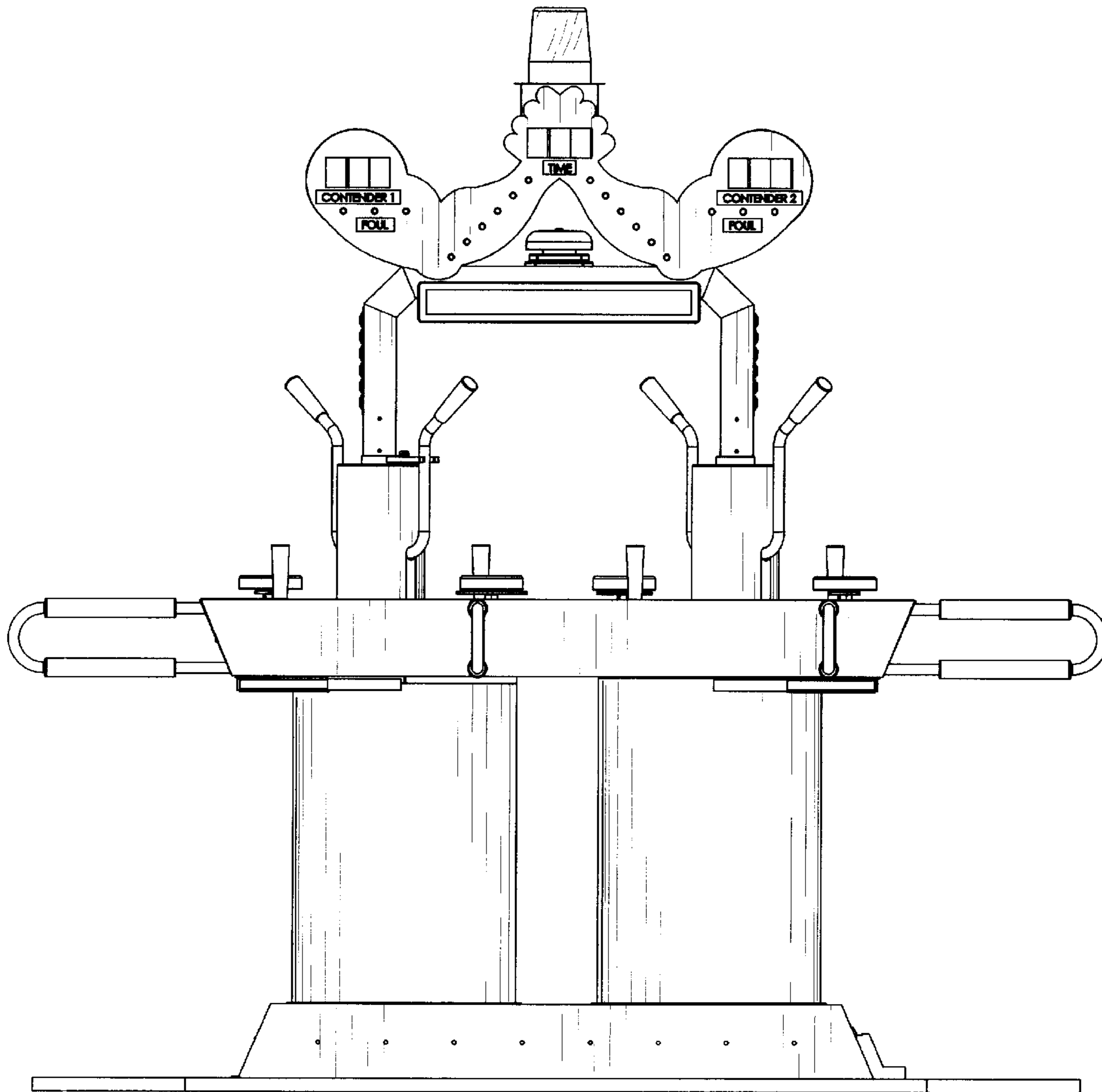


FIG. 2

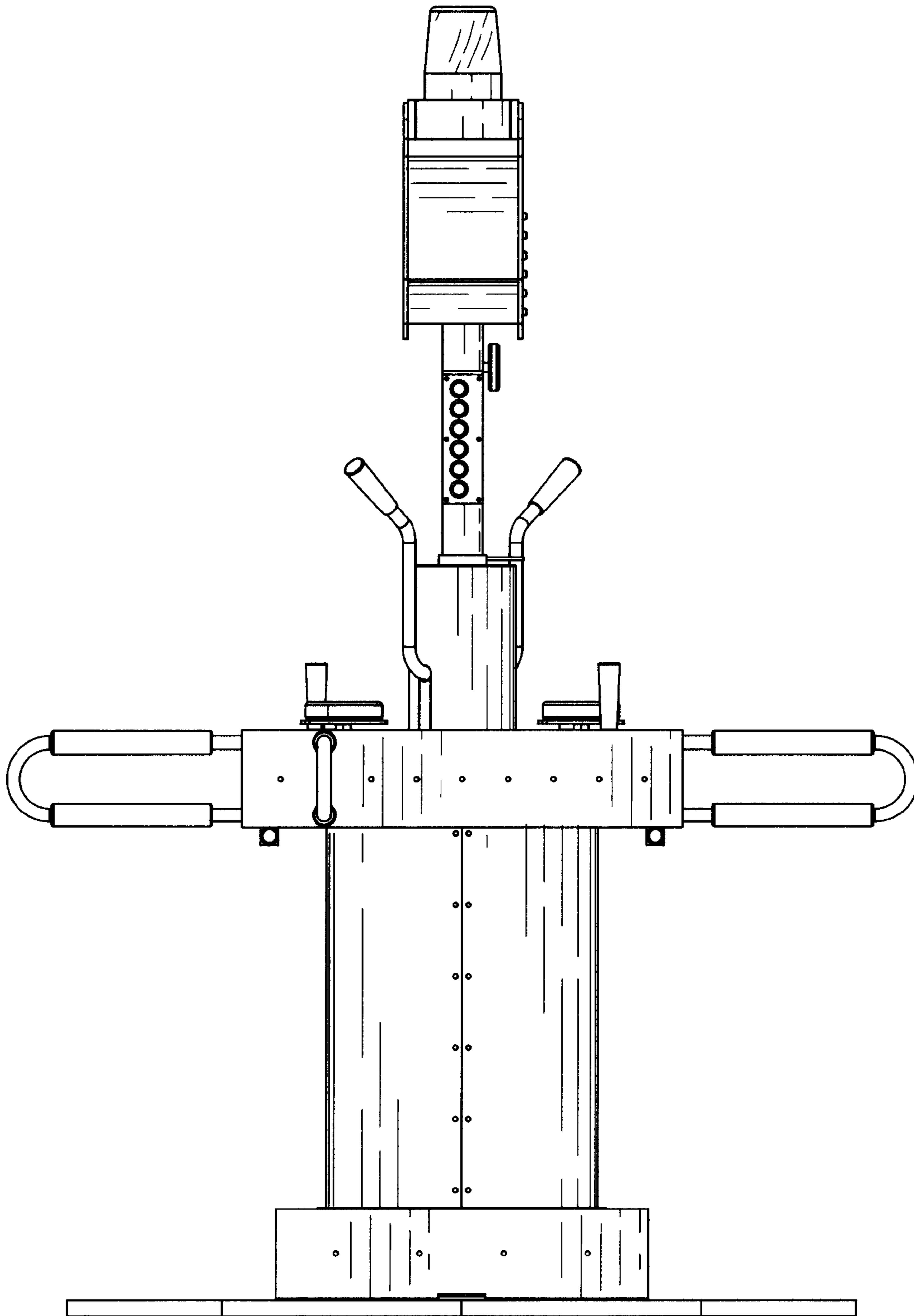


FIG. 3

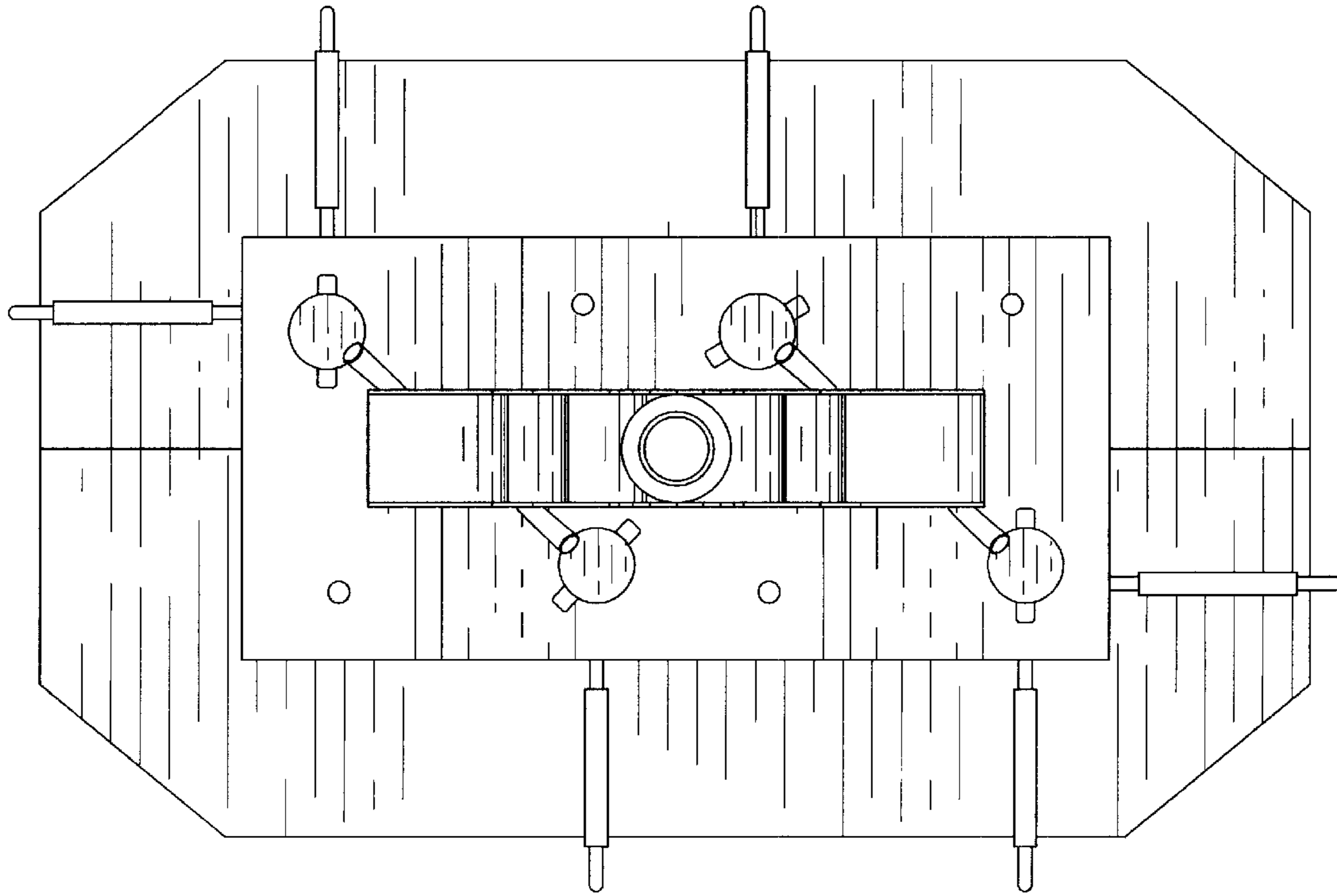


FIG. 4

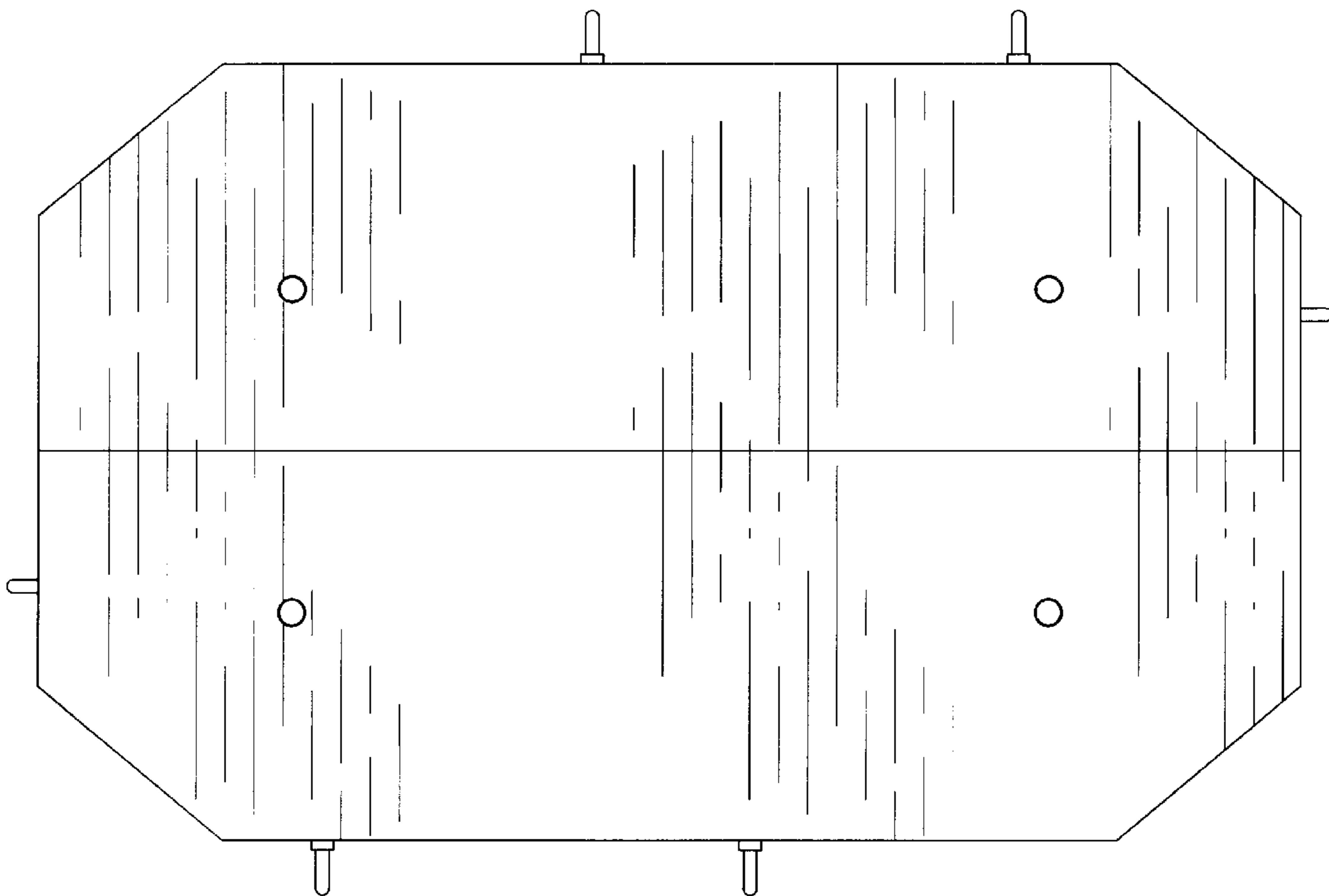


FIG. 5