

US00D497954S1

(12) **United States Design Patent**
DeCarlo et al.

(10) **Patent No.:** **US D497,954 S**

(45) **Date of Patent:** **** Nov. 2, 2004**

(54) **COLLAPSIBLE PENCIL HOLDER**

(75) Inventors: **Anthony J. DeCarlo**, Bay Village, OH (US); **Daniel V. Perella**, Hudson, OH (US); **Vincent J. Thomson**, Avon Lake, OH (US)

(73) Assignee: **Idea Stream Consumer Products LLC**, Parma, OH (US)

(**) Term: **14 Years**

(21) Appl. No.: **29/201,184**

(22) Filed: **Mar. 11, 2004**

(51) **LOC (7) Cl.** **19-06**

(52) **U.S. Cl.** **D19/85; D19/77; D9/433**

(58) **Field of Search** D19/65, 75, 77, D19/78, 81-85, 92, 95, 99, 100; 211/69.1-69.9; 206/214, 224, 371; D9/430-433; D7/640, 641; D34/1; 220/600

(56) **References Cited**

U.S. PATENT DOCUMENTS

D216,843 S * 3/1970 Lew D19/85
D244,430 S * 5/1977 Larkin D9/433

D245,615 S * 8/1977 Burroughs D19/85
4,923,080 A * 5/1990 Lounsbury 220/600
D444,177 S * 6/2001 Carretta D19/77 X

* cited by examiner

Primary Examiner—Martie K. Holtje

(74) *Attorney, Agent, or Firm*—Renner, Otto, Boisselle & Sklar LLP

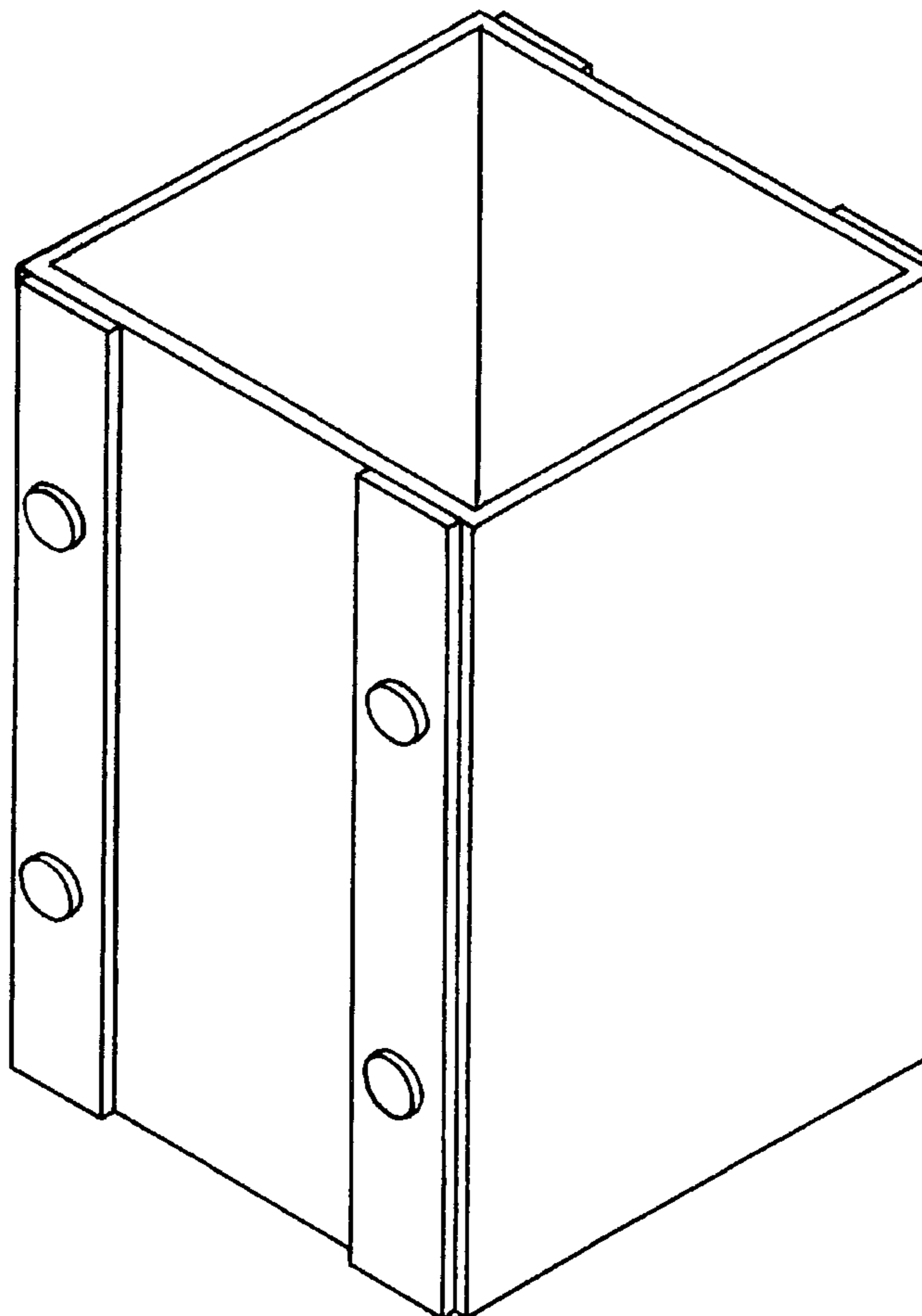
(57) **CLAIM**

The ornamental design for a collapsible pencil holder, as shown and described.

DESCRIPTION

FIG. 1 is a top perspective view of a collapsible pencil holder in an assembled state showing our new design; FIG. 2 is a bottom perspective view thereof; FIG. 3 is a front elevation view thereof, the back elevation view is similar to the front elevation view; FIG. 4 is a left side elevation view thereof, the right side elevation view is similar to the left side elevation view; FIG. 5 is a top plan view thereof; FIG. 6 is a bottom plan view thereof; and, FIG. 7 is a front elevational view thereof in a collapsed condition.

1 Claim, 6 Drawing Sheets



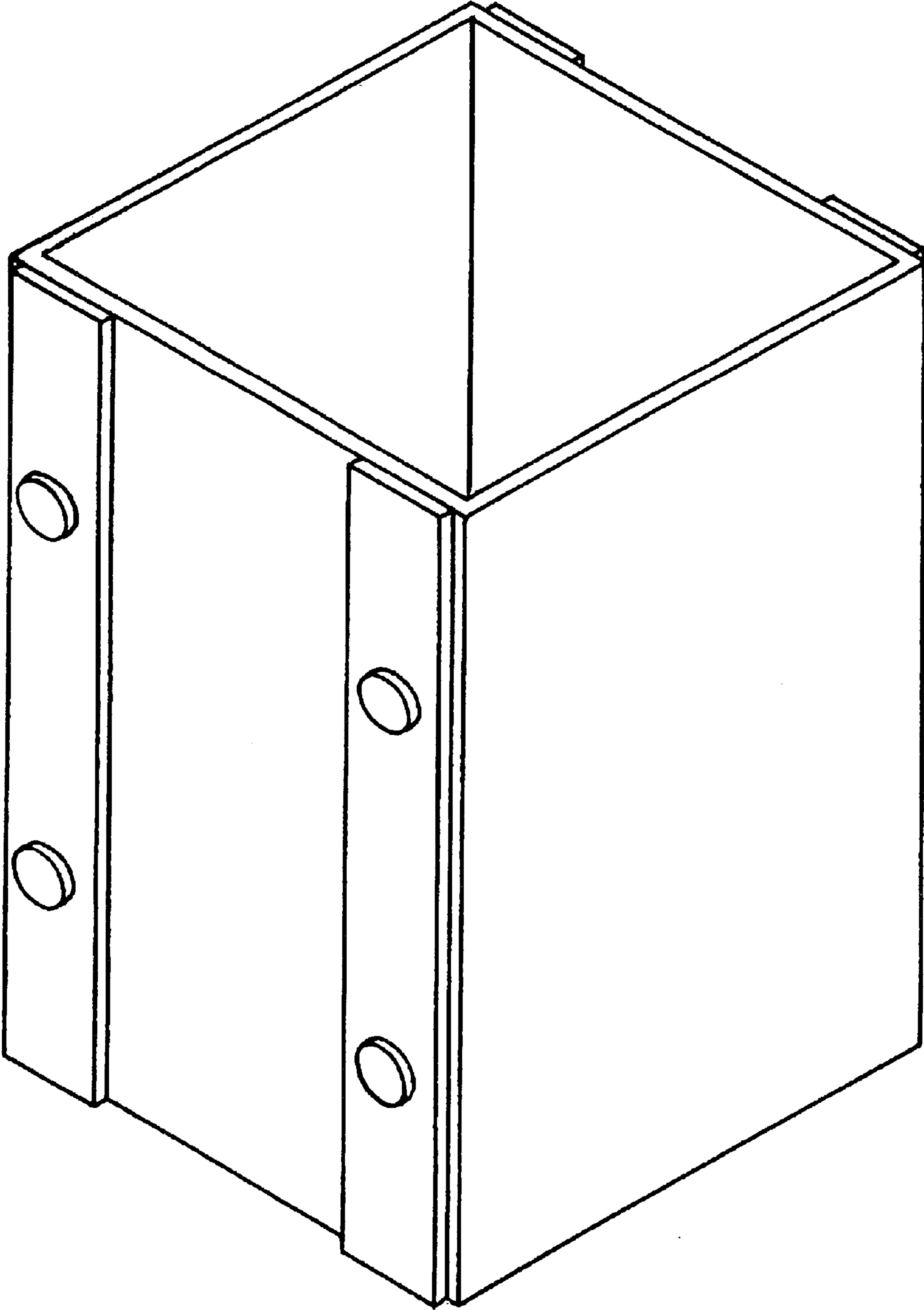


FIG. 1

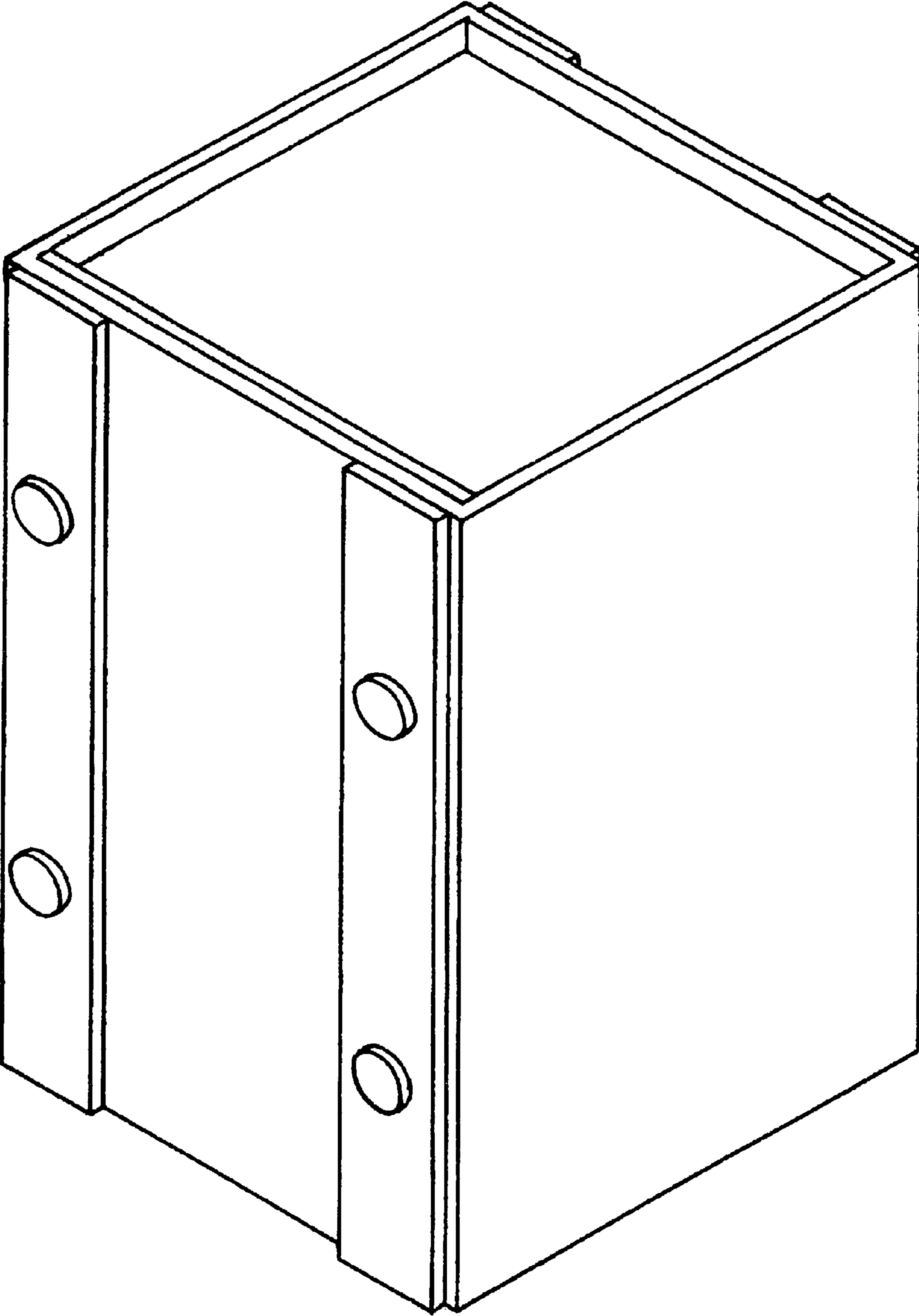


FIG. 2

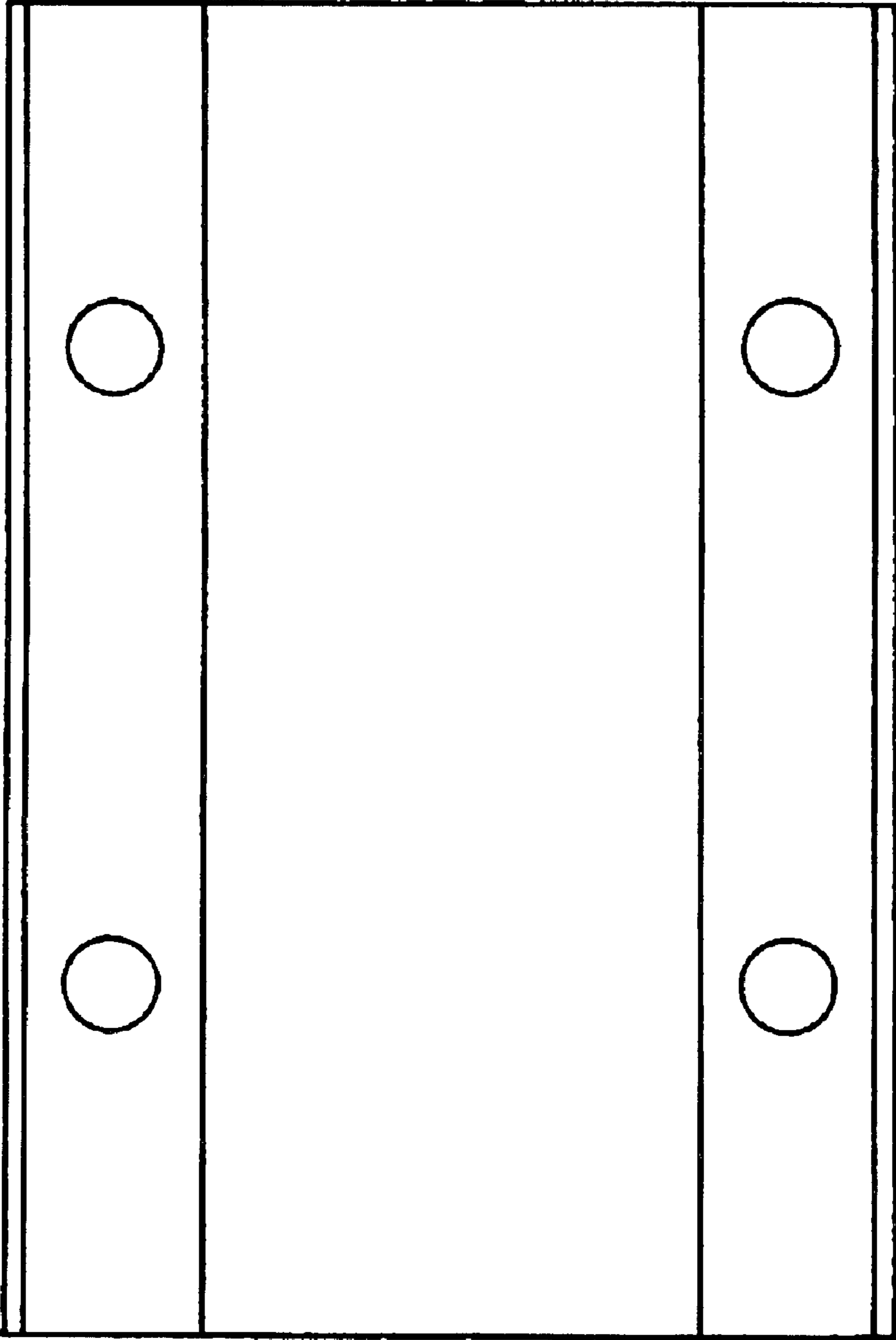


FIG. 3

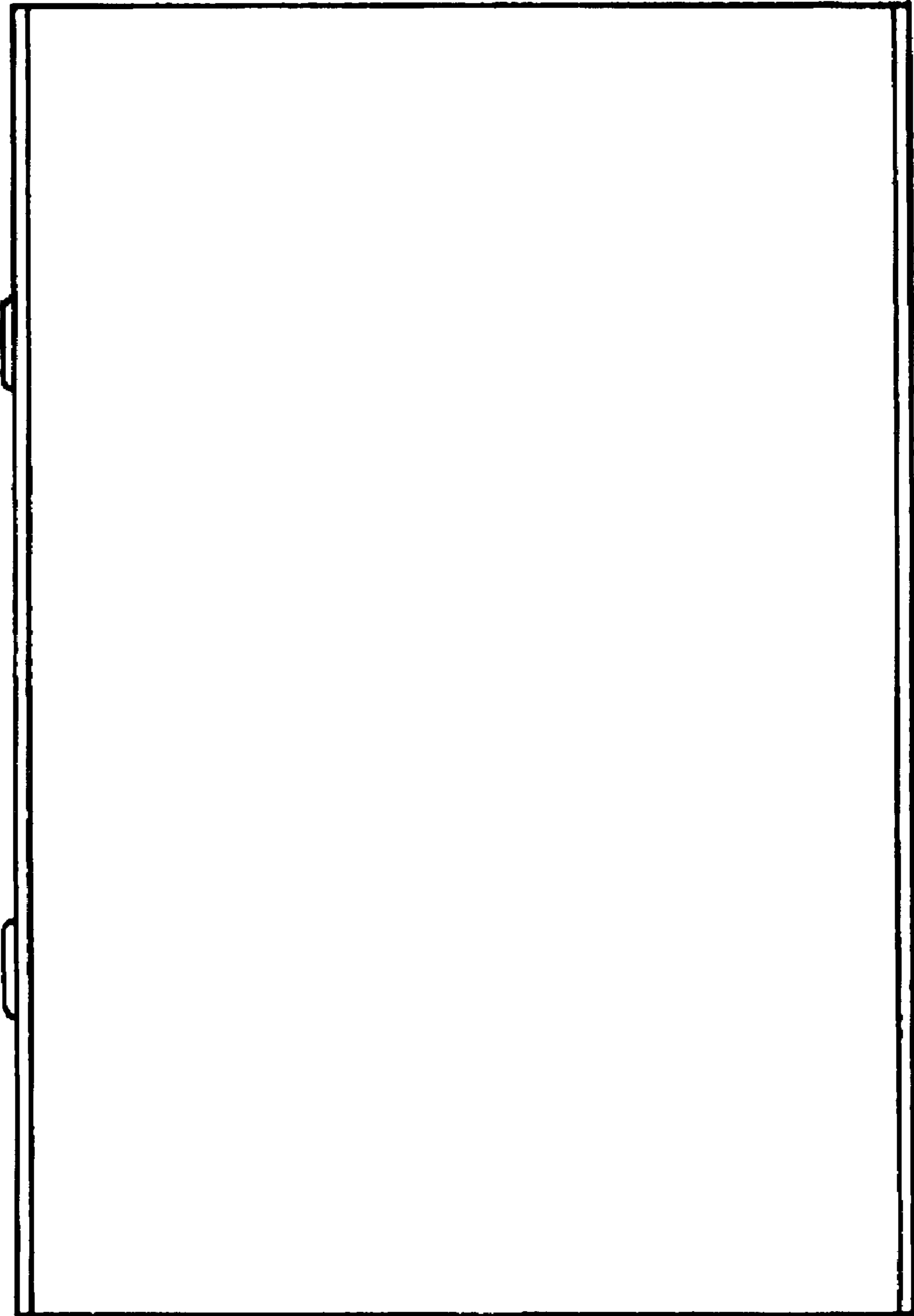


FIG. 4

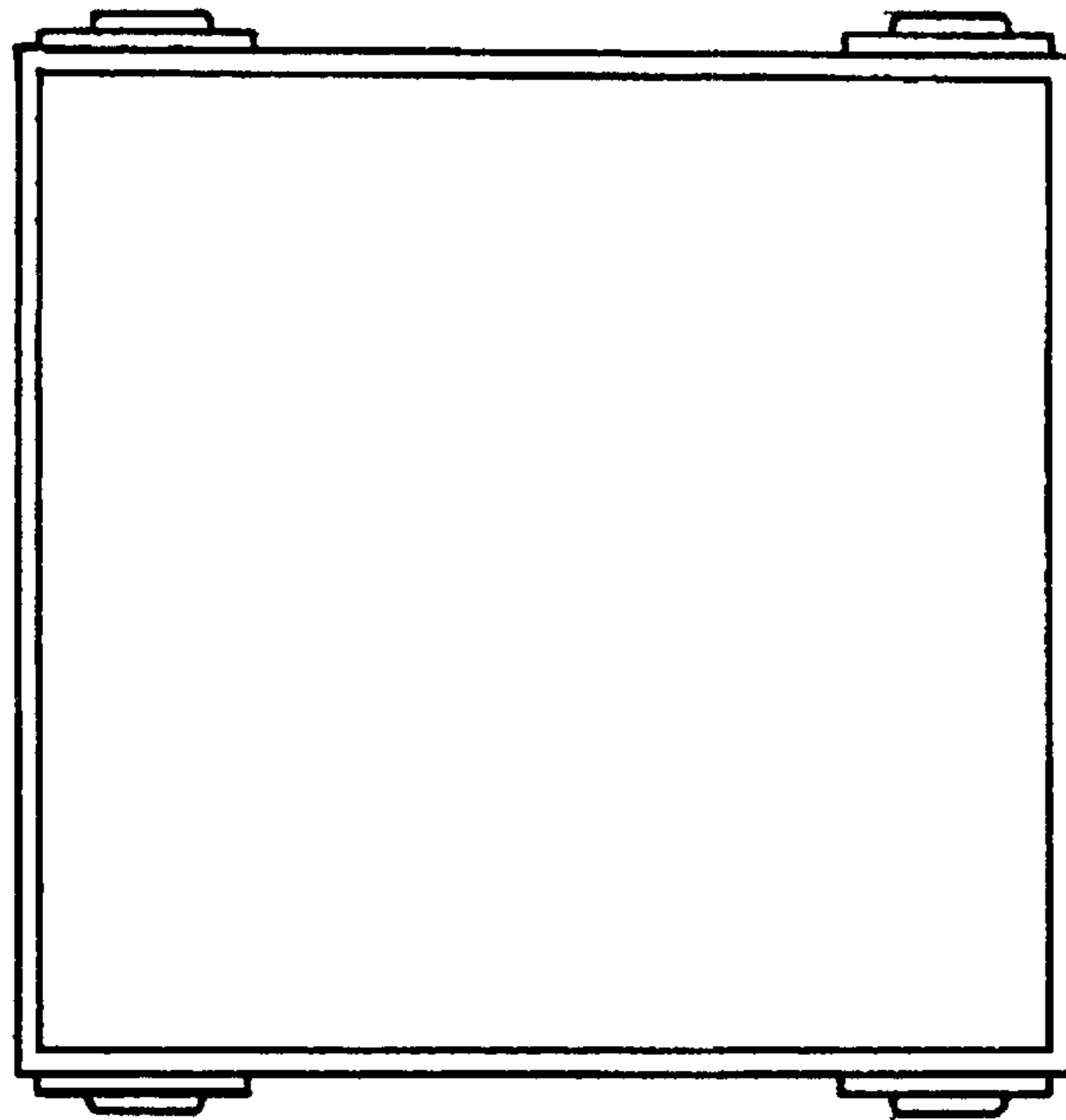


FIG. 5

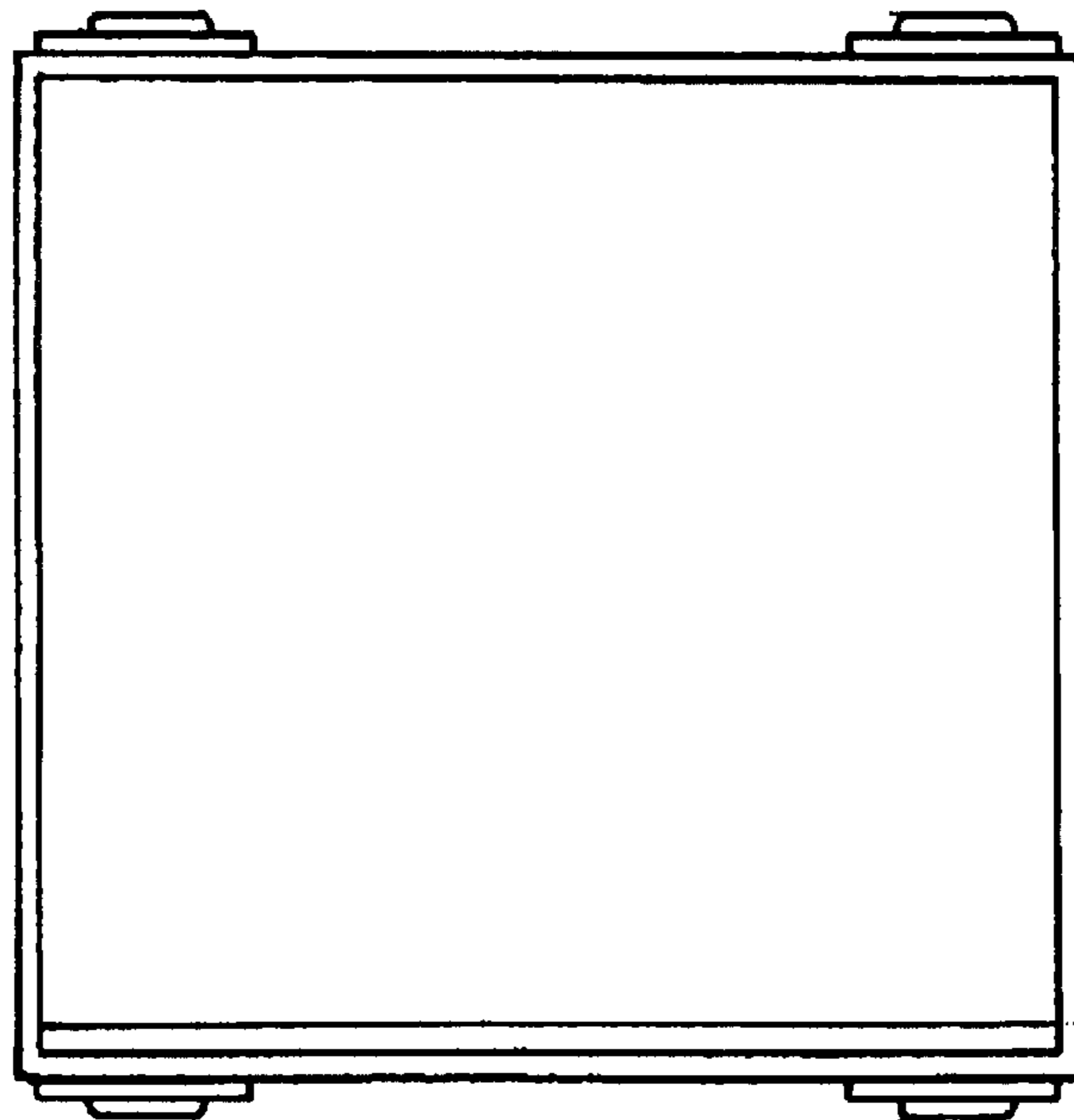


FIG. 6

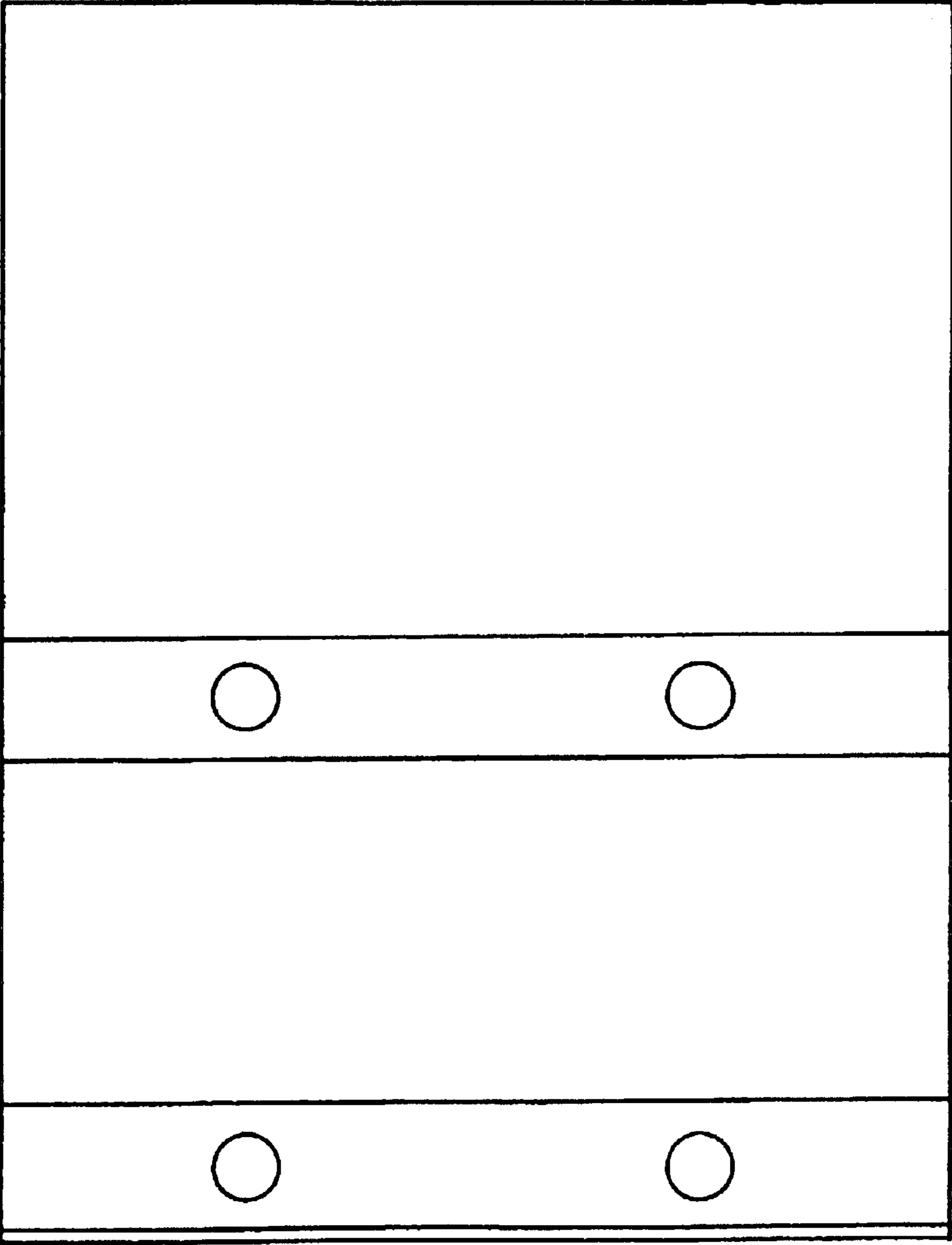


FIG. 7