

US00D497950S1

(12) **United States Design Patent**
Takanashi

(10) **Patent No.:** **US D497,950 S**
(45) **Date of Patent:** **** Nov. 2, 2004**

(54) **BALLPOINT PEN**

(75) Inventor: **Kazuhiko Takanashi**, Tokyo (JP)

(73) Assignee: **Mitsubishi Pencil Co., Ltd.**, Tokyo (JP)

(**) Term: **14 Years**

(21) Appl. No.: **29/200,128**

(22) Filed: **Feb. 25, 2004**

(30) **Foreign Application Priority Data**

Aug. 26, 2003 (JP) 2003-024655

(51) **LOC (7) Cl.** **19-06**

(52) **U.S. Cl.** **D19/43; D19/49; D19/55; D19/56**

(58) **Field of Search** D19/35, 36, 41-51, D19/53-58, 81-85; 401/6, 7, 88, 98, 202, 209, 213, 243-247, 262; 24/10 R, 11 R, 11 P, 11 HC, 11 F, 11 M

(56) **References Cited**

U.S. PATENT DOCUMENTS

D404,426 S	*	1/1999	Takanashi	D19/43
D427,238 S	*	6/2000	Beneyto	D19/43
D445,827 S	*	7/2001	Stropkay et al.	D19/43
D454,588 S	*	3/2002	Takanashi	D19/43
D455,174 S	*	4/2002	Traut et al.	D19/43
D482,070 S	*	11/2003	Kennedy	D19/54
D483,067 S	*	12/2003	Takanashi	D19/43
D489,088 S	*	4/2004	Arita et al.	D19/43

* cited by examiner

Primary Examiner—Martie K. Holtje
(74) *Attorney, Agent, or Firm*—Foley & Lardner LLP

(57) **CLAIM**

The ornamental design for a ballpoint pen, as shown and described.

DESCRIPTION

FIG. 1 is a perspective view of a ballpoint pen;
 FIG. 2 is a perspective view of the pen thereof in open position;
 FIG. 3 is a front elevational view thereof;
 FIG. 4 is a left side view thereof, a right side view being a mirror image of the left side view;
 FIG. 5 is a rear elevational view thereof;
 FIG. 6 is a top plan view thereof;
 FIG. 7 is a bottom plan view thereof;
 FIG. 8 is a front elevational view of a body of the ballpoint pen, a rear elevational view being a mirror image of the front elevational view;
 FIG. 9 is a left side view of the body of the ballpoint pen, a right side view of the body of the pen being a mirror image of the left side view;
 FIG. 10 is a top plan view of the body of the ballpoint pen;
 FIG. 11 is a bottom plan view of the body of the ballpoint pen; and,
 FIG. 12 is a sectional view thereof, taken along line 12—12 of FIG. 4.

1 Claim, 3 Drawing Sheets

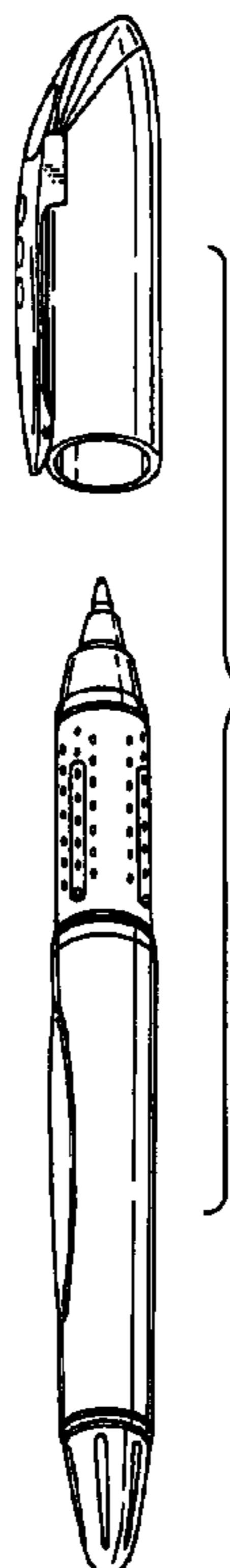


Fig.1



Fig.2

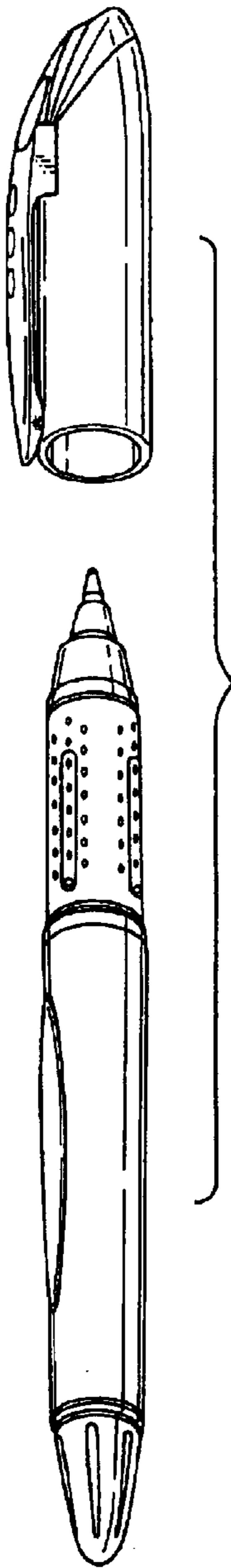


Fig.3



Fig.4

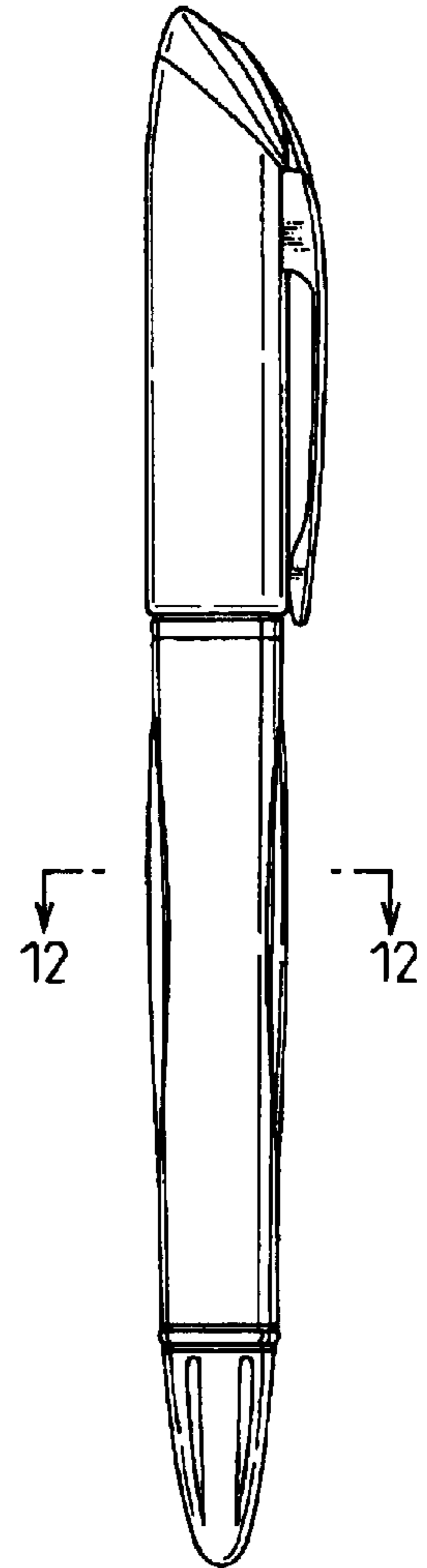


Fig.5

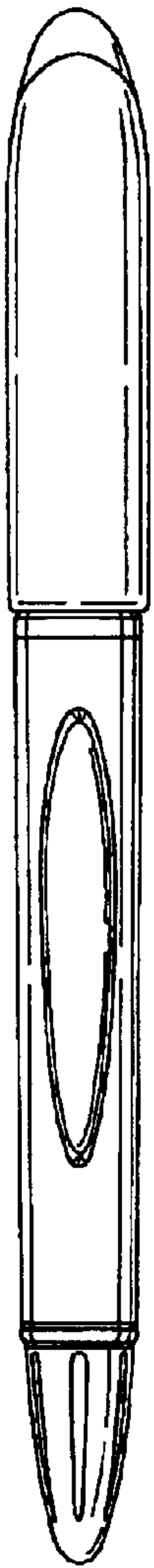


Fig.6



Fig.7



Fig.8



Fig.9

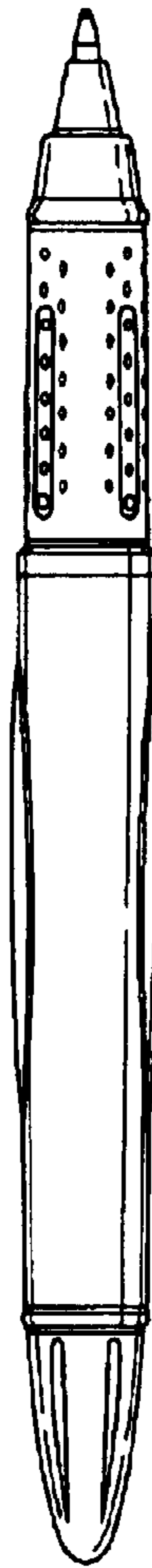


Fig.10



Fig.12

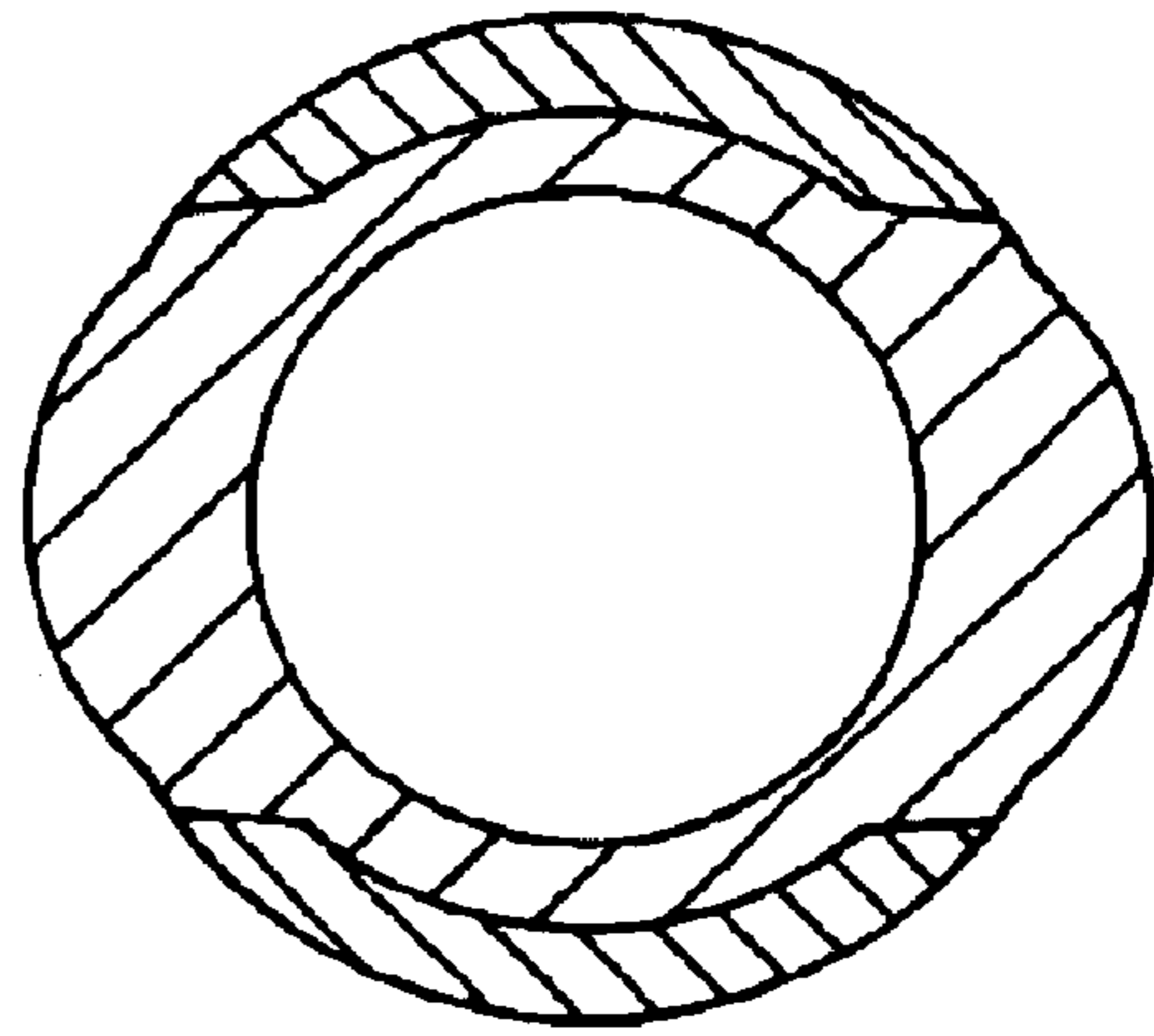


Fig.11

