



US00D497936S1

(12) **United States Design Patent**
Kida et al.

(10) **Patent No.:** **US D497,936 S**
(45) **Date of Patent:** **** Nov. 2, 2004**

(54) **STAMP**

D453,784 S * 2/2002 Harden D18/15

(75) Inventors: **Masaki Kida**, Setagaya-ku (JP);
Motohide Imaizumi, Setagaya-ku (JP)

FOREIGN PATENT DOCUMENTS

JP 946405 9/1996
JP 946405 A 5/1997

(73) Assignee: **Shachihata Inc.**, Nagoya (JP)

* cited by examiner

(**) Term: **14 Years**

Primary Examiner—Charles A. Rademaker

(21) Appl. No.: **29/194,460**

(74) *Attorney, Agent, or Firm*—Jacobson Holman PLLC

(22) Filed: **Nov. 26, 2003**

(57) **CLAIM**

(30) **Foreign Application Priority Data**

The ornamental design for a stamp, as shown and described.

Jun. 3, 2003 (JP) 2003-015601

DESCRIPTION

(51) **LOC (7) Cl.** **19-02**

FIG. 1 is a perspective view of a stamp showing our new design;

(52) **U.S. Cl.** **D18/15**

FIG. 2 is a front view thereof,

(58) **Field of Search** D18/50, 15-18,

FIG. 3 is a rear view thereof,

D18/99; 118/264; 101/333, 368

FIG. 4 is a left side view thereof,

(56) **References Cited**

FIG. 5 is a right side view thereof,

U.S. PATENT DOCUMENTS

FIG. 6 is a plan view thereof,

D326,865 S * 6/1992 Satoh D18/15

FIG. 7 is a bottom view thereof,

D367,290 S * 2/1996 Sculler et al. D18/15

FIG. 8 is an enlarged cross-sectional view thereof taken along line A—A in FIG. 2; and,

D376,383 S * 12/1996 Harden D18/14

FIG. 9 is an enlarged cross-sectional view thereof taken along line B—B in FIG. 5.

D385,905 S * 11/1997 Harden D18/15

D417,232 S * 11/1999 Harden D18/14

D427,234 S * 6/2000 Loy et al. D18/15

D444,808 S * 7/2001 Dour et al. D18/15

1 Claim, 4 Drawing Sheets

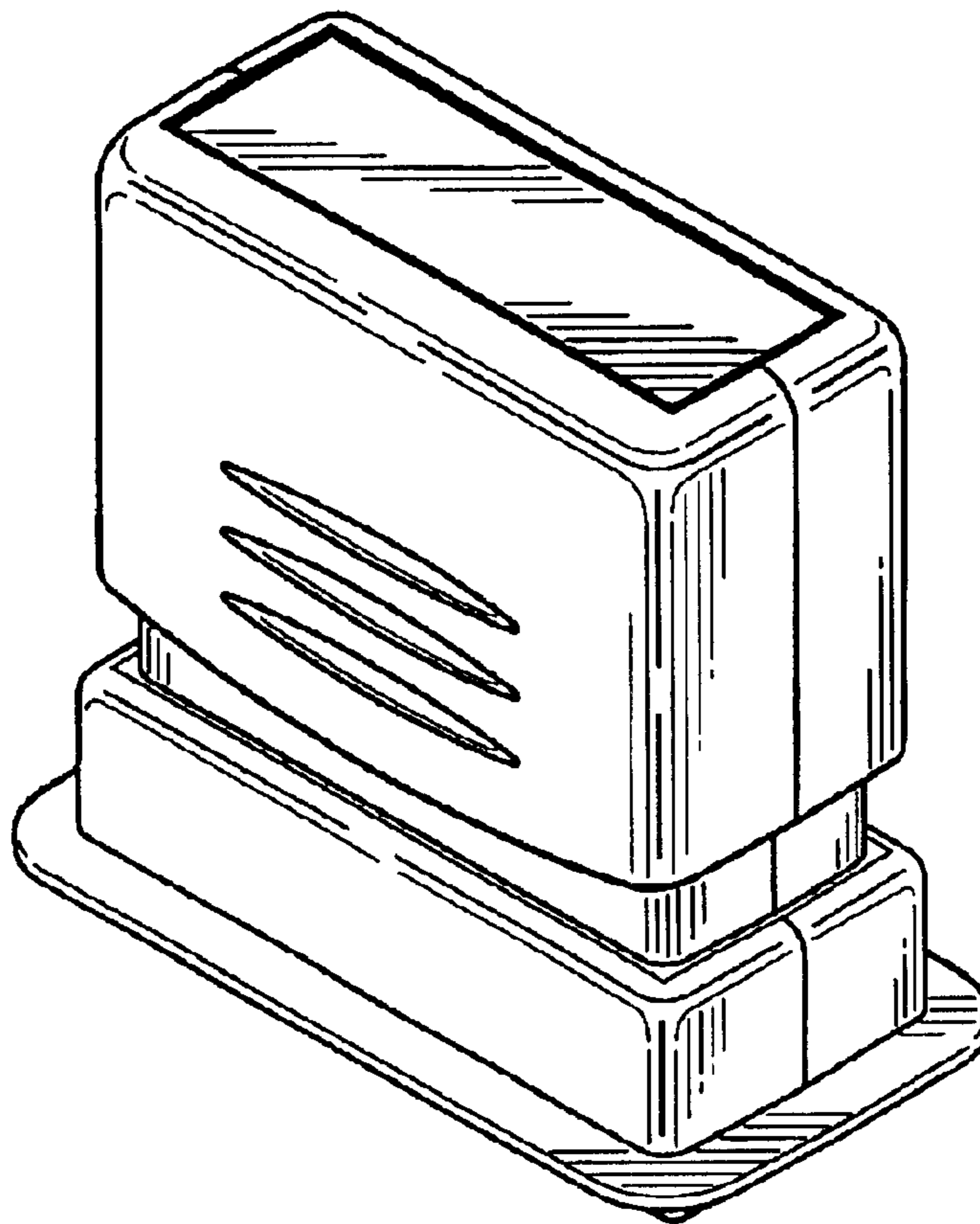


FIG.1

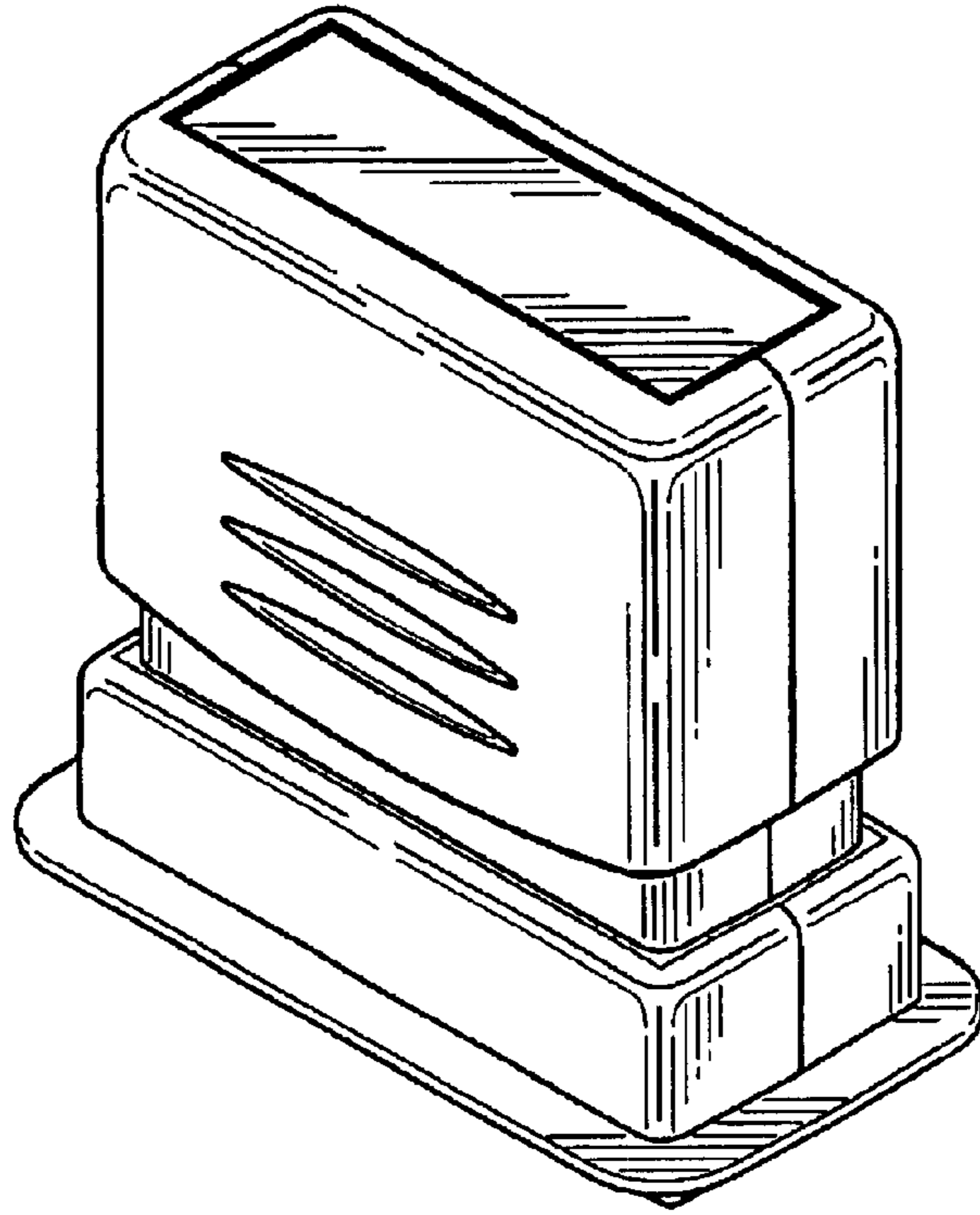
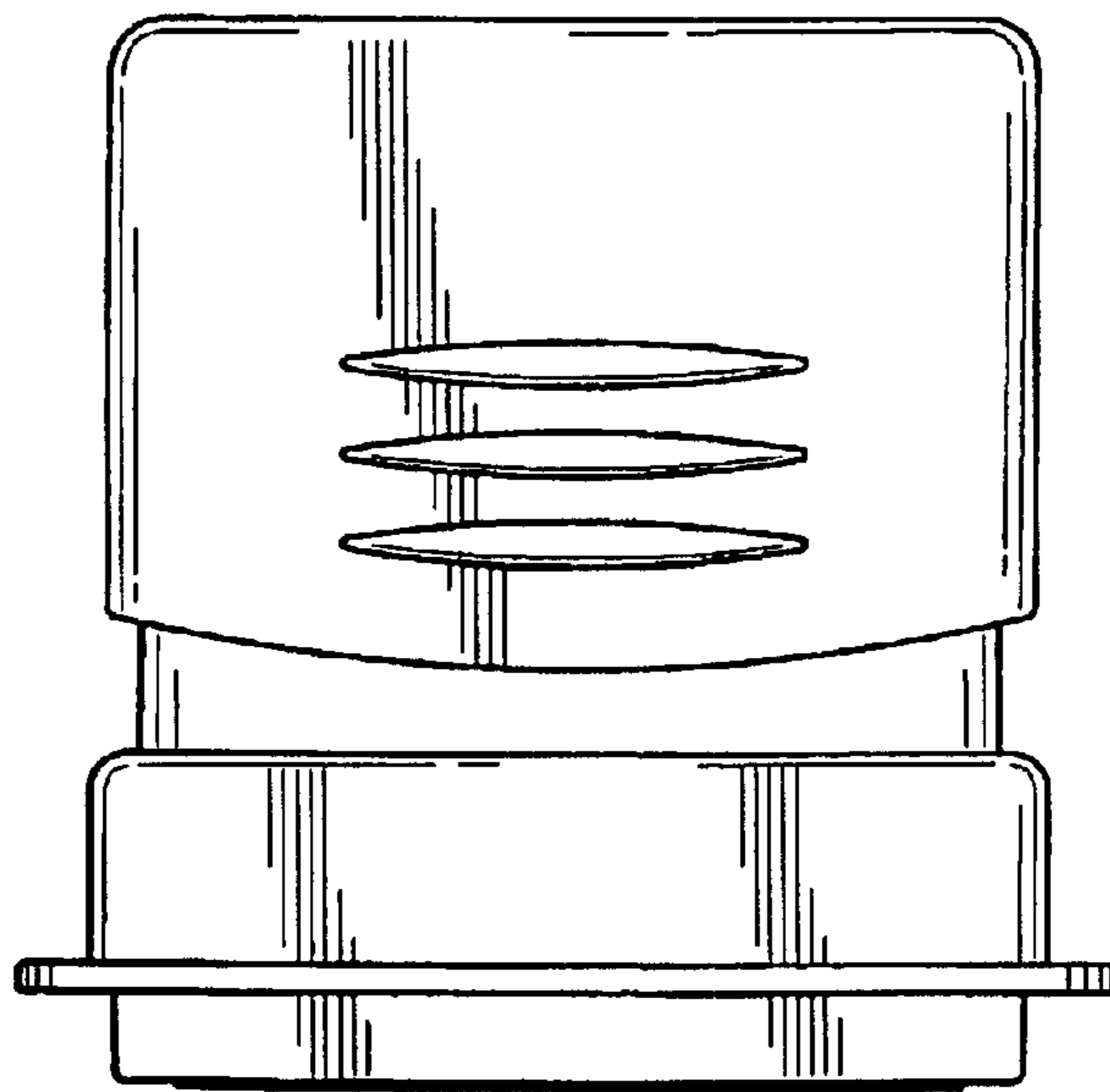


FIG.2

A ←



A ← j

FIG.3

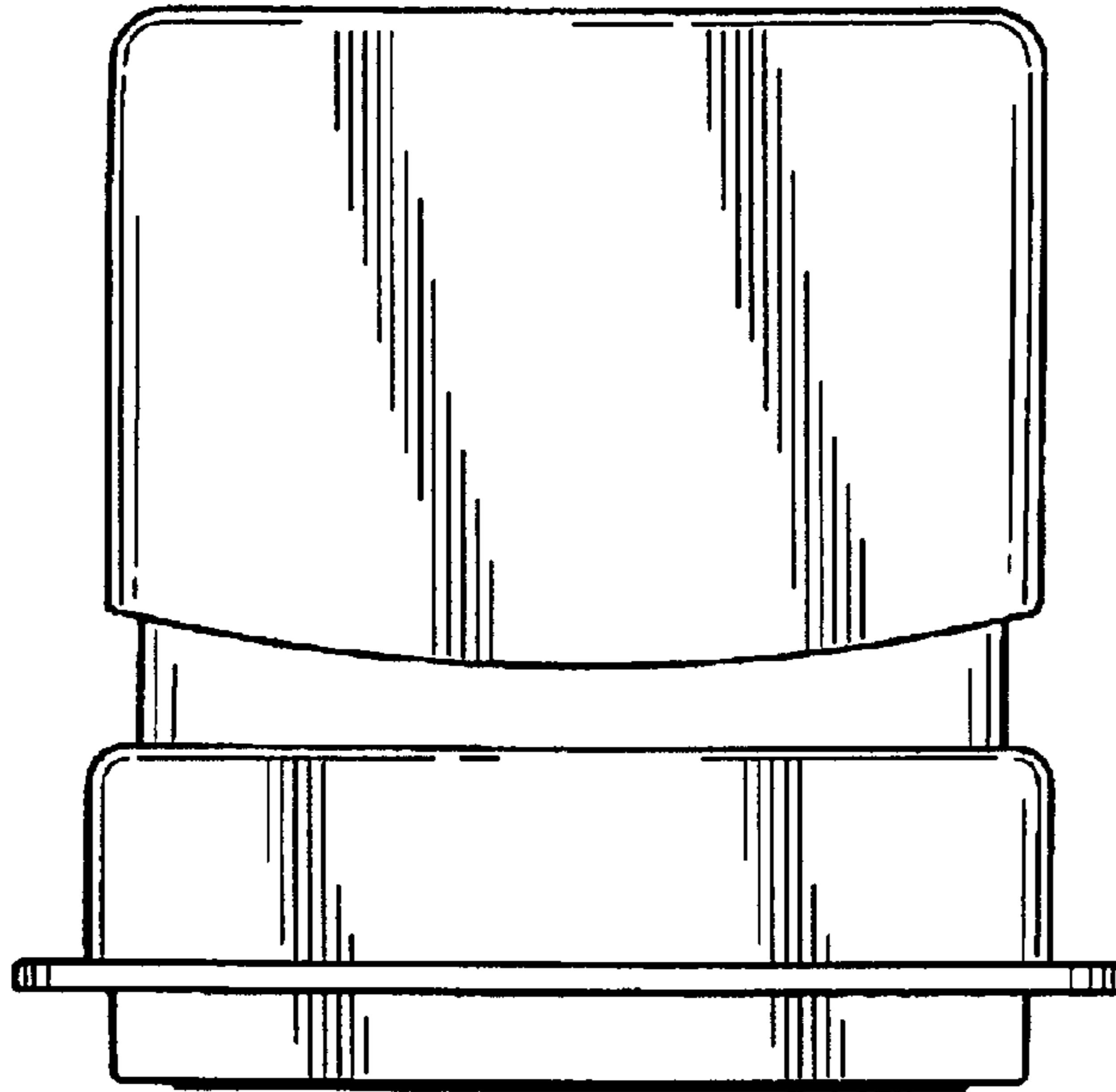


FIG.4

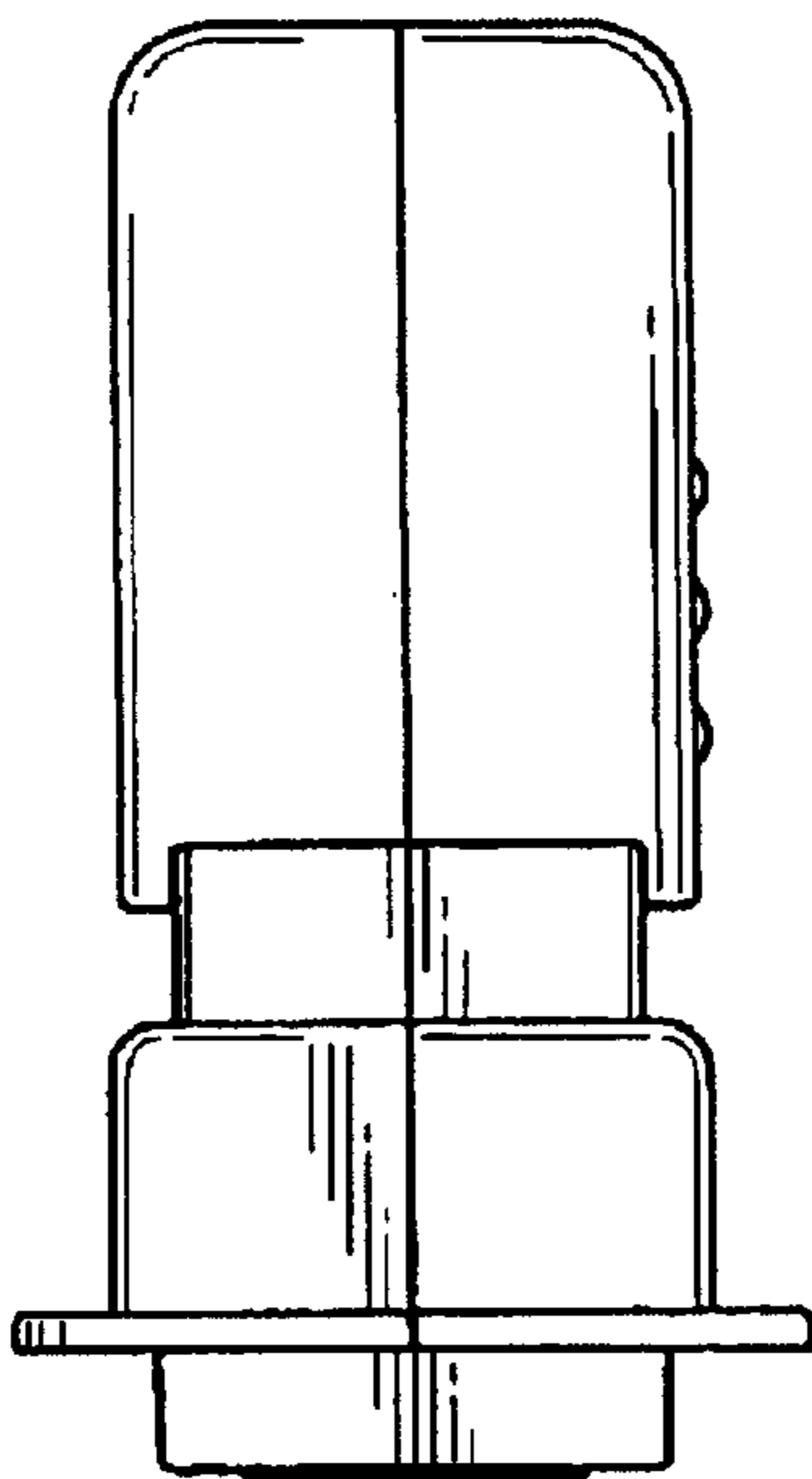


FIG.5

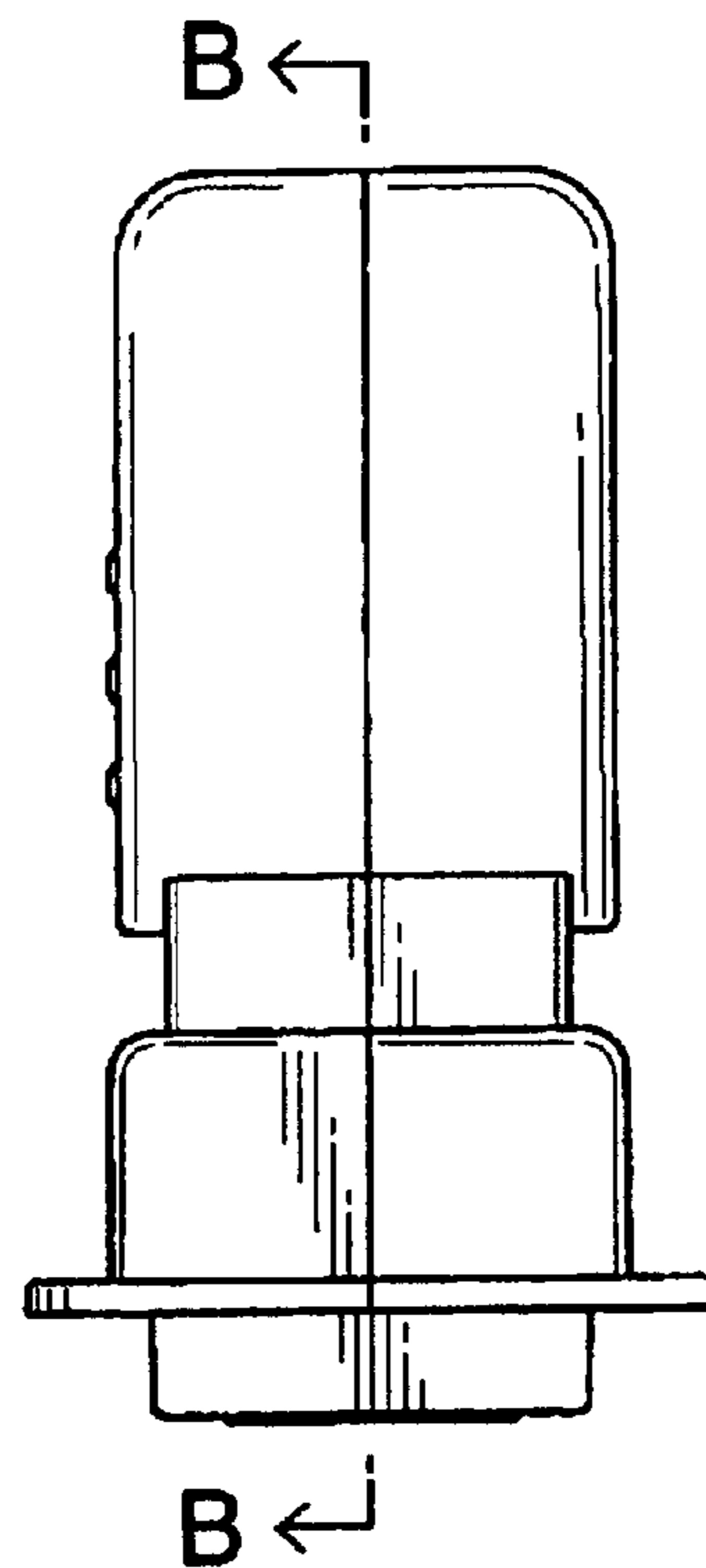


FIG.6

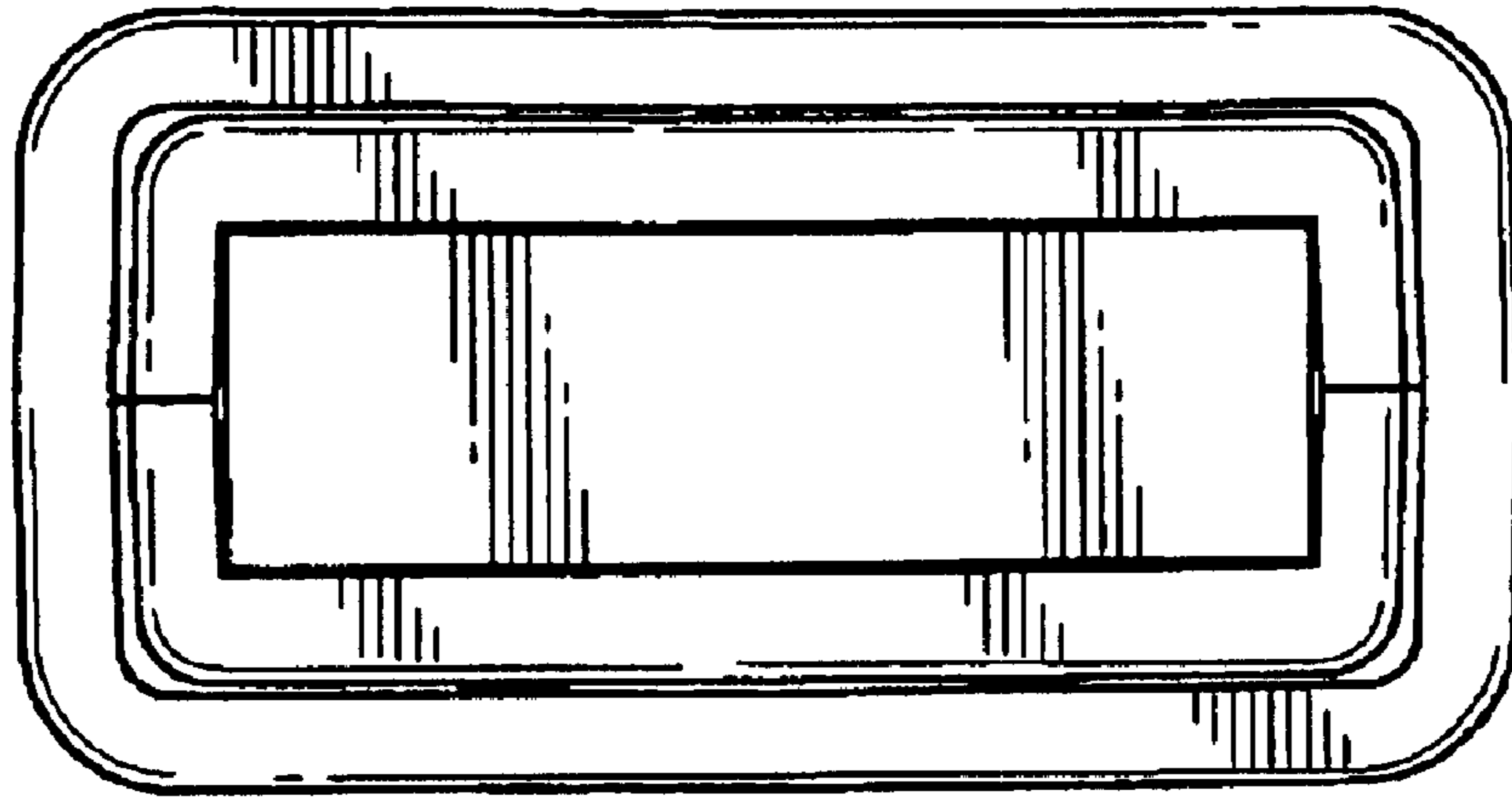


FIG.7

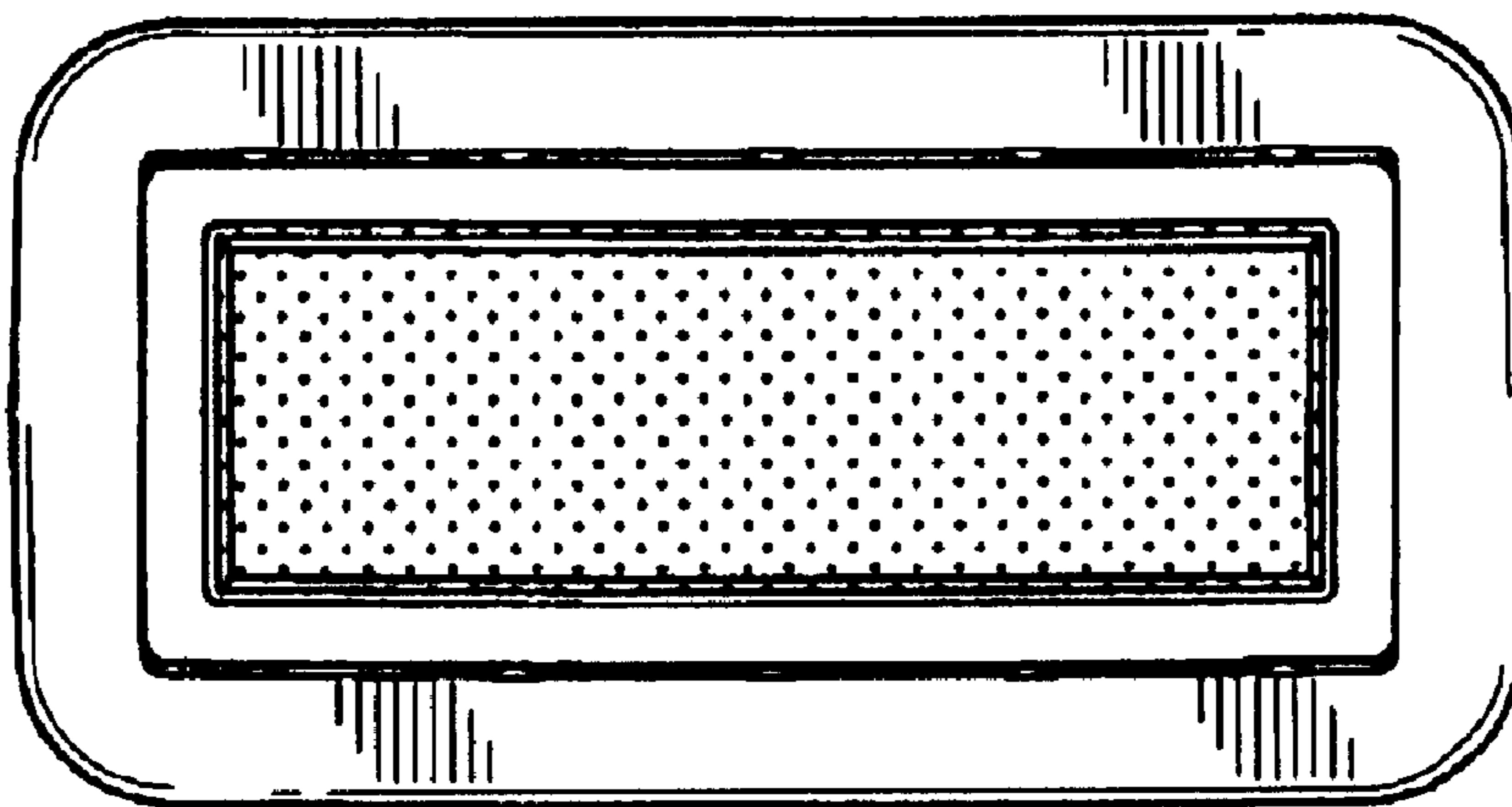


FIG.8

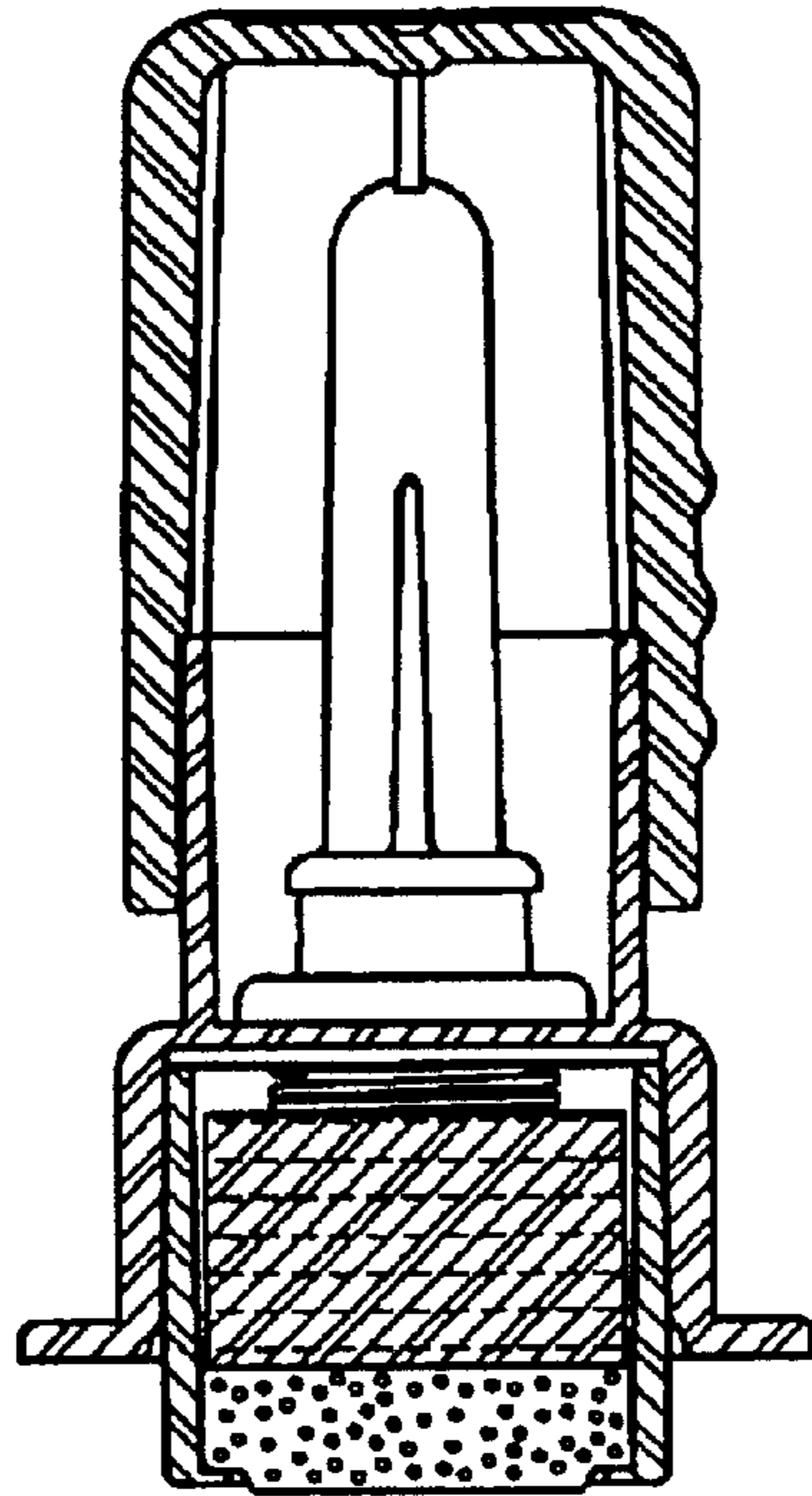


FIG.9

