



US00D497935S1

(12) **United States Design Patent**  
**Kamijima et al.**

(10) **Patent No.: US D497,935 S**

(45) **Date of Patent: \*\* Nov. 2, 2004**

(54) **ADJUSTABLE TRIGGER**

5,583,307 A \* 12/1996 Tobia, Jr. .... 84/411 R  
D405,460 S \* 2/1999 Tobia, Jr. .... D17/22

(75) Inventors: **Yuujiro Kamijima**, Shizuoka (JP);  
**Kiyoshi Yoshino**, Shizuoka (JP);  
**Akihiko Fukuoka**, Shizuoka (JP)

**FOREIGN PATENT DOCUMENTS**

JP 2003-173186 6/2003

(73) Assignee: **Roland Corporation**, Osaka (JP)

**OTHER PUBLICATIONS**

(\*\*) Term: **14 Years**

20 Pages of machine translation of JP2003-173186 obtained from Japanese Patent Office Website—document has been translated by computer and may not reflect the original filing completely.

(21) Appl. No.: **29/174,287**

(22) Filed: **Jan. 15, 2003**

\* cited by examiner

(51) **LOC (7) Cl. .... 17-04**

*Primary Examiner*—Ruth McInroy

(52) **U.S. Cl. .... D17/22**

(74) *Attorney, Agent, or Firm*—Foley & Lardner LLP

(58) **Field of Search** ..... 84/746, DIG. 24,  
84/730, 743, 411 R, 723, 453, 318, 414,  
DIG. 12, 725, 600; 310/330, 327; D17/20-22,  
99, 9

(57) **CLAIM**

We claim the ornamental design for an adjustable trigger, as shown and described.

(56) **References Cited**

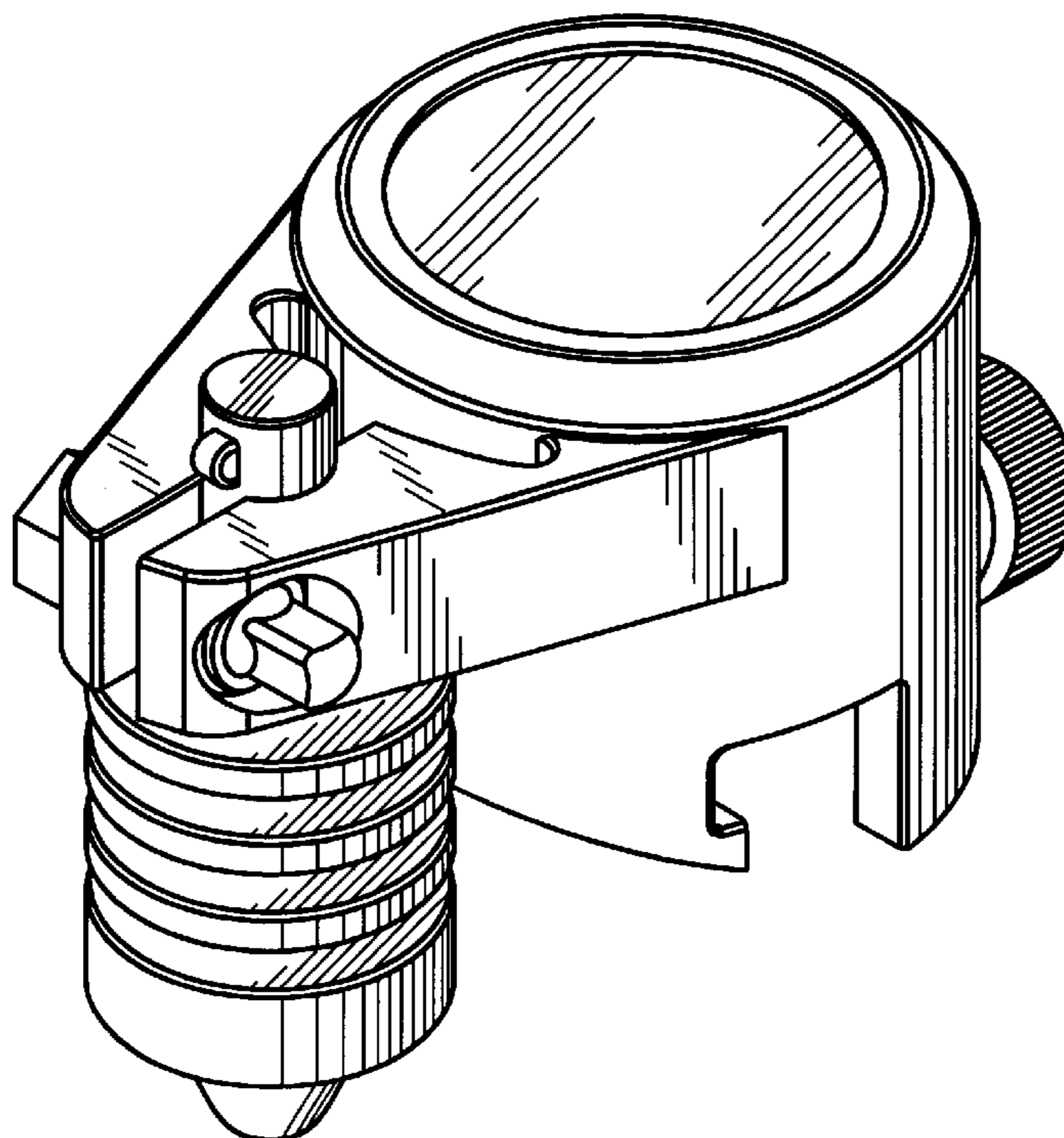
**DESCRIPTION**

**U.S. PATENT DOCUMENTS**

D216,049 S	*	11/1969	Dreyer	.....	D17/20
3,725,561 A	*	4/1973	Paul	.....	84/726
D228,023 S	*	7/1973	Grauso	.....	D17/22
D250,221 S	*	11/1978	Clark et al.	.....	D8/363
D250,222 S	*	11/1978	Clark et al.	.....	D8/363
D255,463 S	*	6/1980	Clark et al.	.....	D17/22
5,036,742 A	*	8/1991	Youakim	.....	84/411 R
5,345,037 A	*	9/1994	Nordelius	.....	84/730
D355,668 S	*	2/1995	Reagan	.....	D17/21
5,449,964 A	*	9/1995	Snyder	.....	310/330

FIG. 1 is a perspective view of an adjustable trigger showing our new design;  
FIG. 2 is a top plan view thereof;  
FIG. 3 is a front elevation view thereof;  
FIG. 4 is a rear elevation view thereof;  
FIG. 5 is a bottom plan view thereof;  
FIG. 6 is a right side elevation view thereof; and,  
FIG. 7 is a left side elevation view thereof.

**1 Claim, 7 Drawing Sheets**



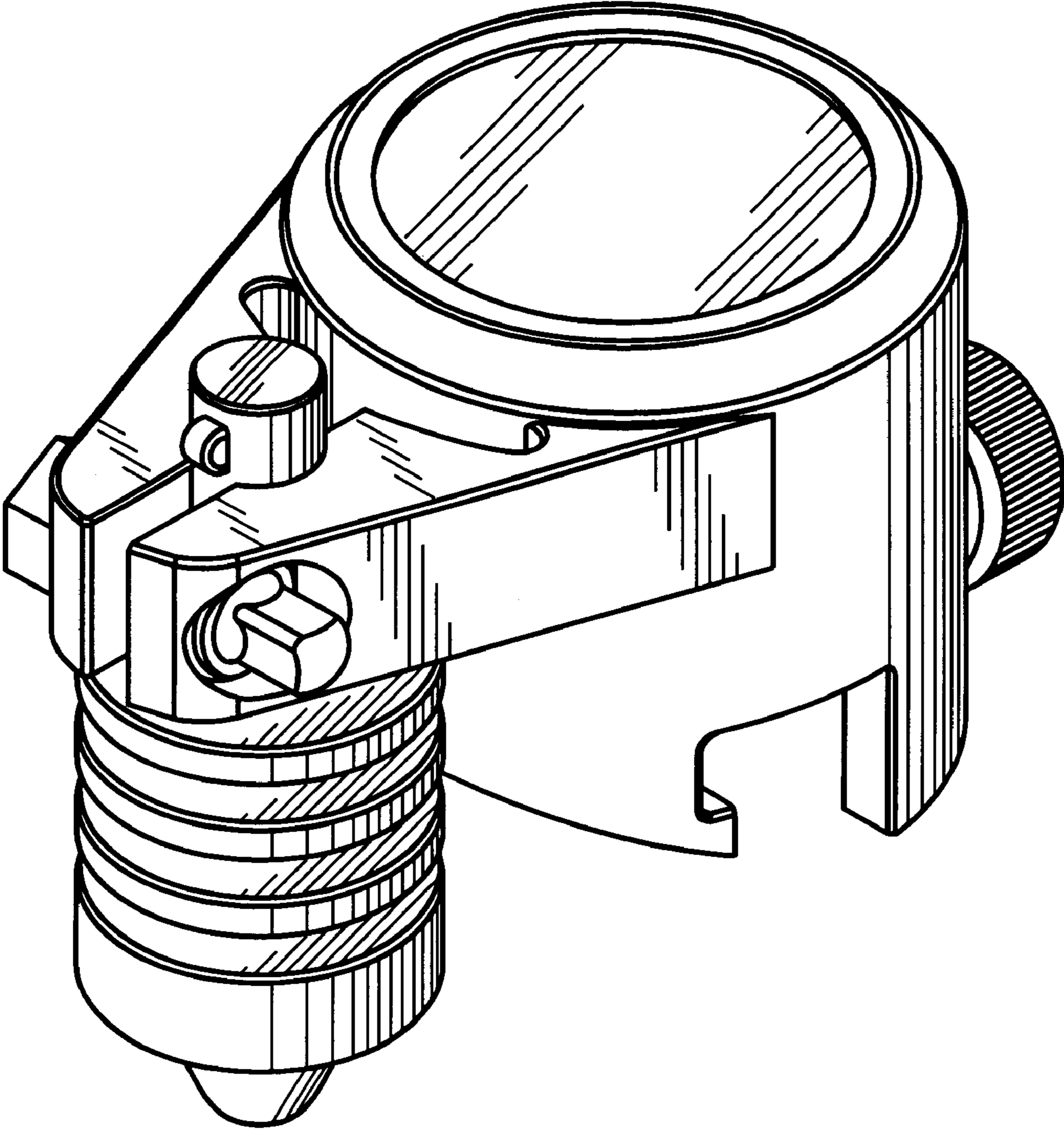


FIG. 1

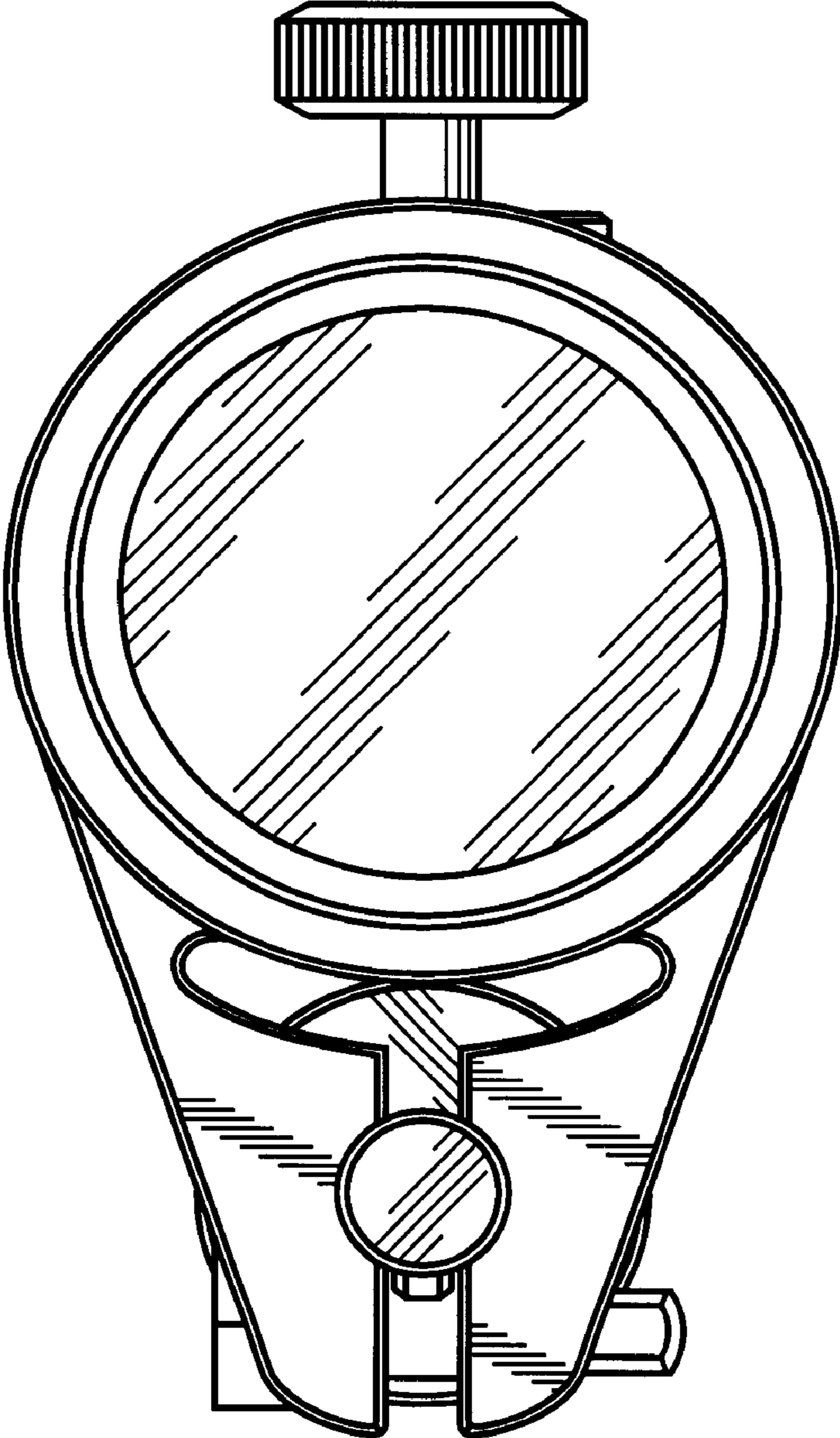


FIG. 2

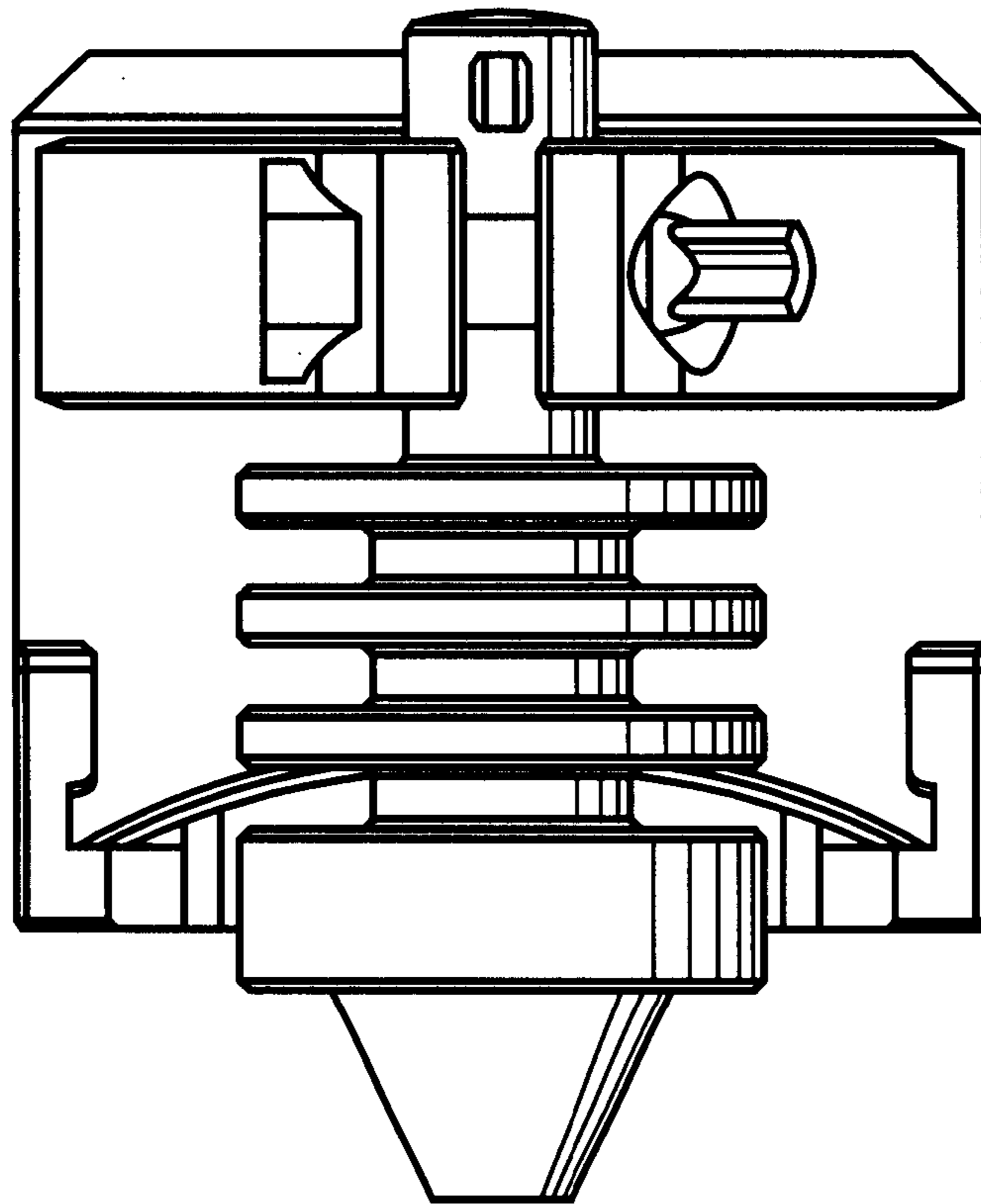


FIG. 3

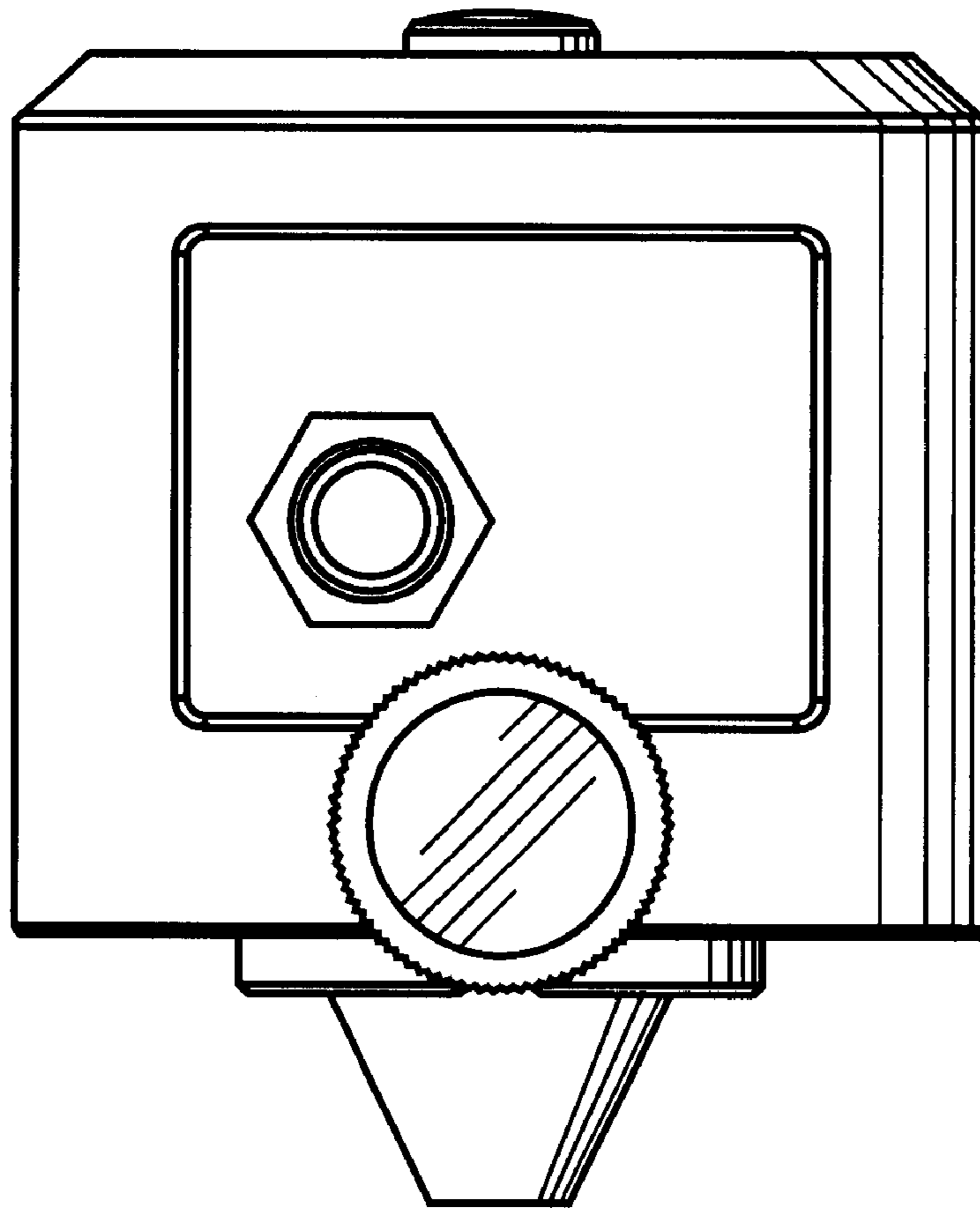


FIG. 4

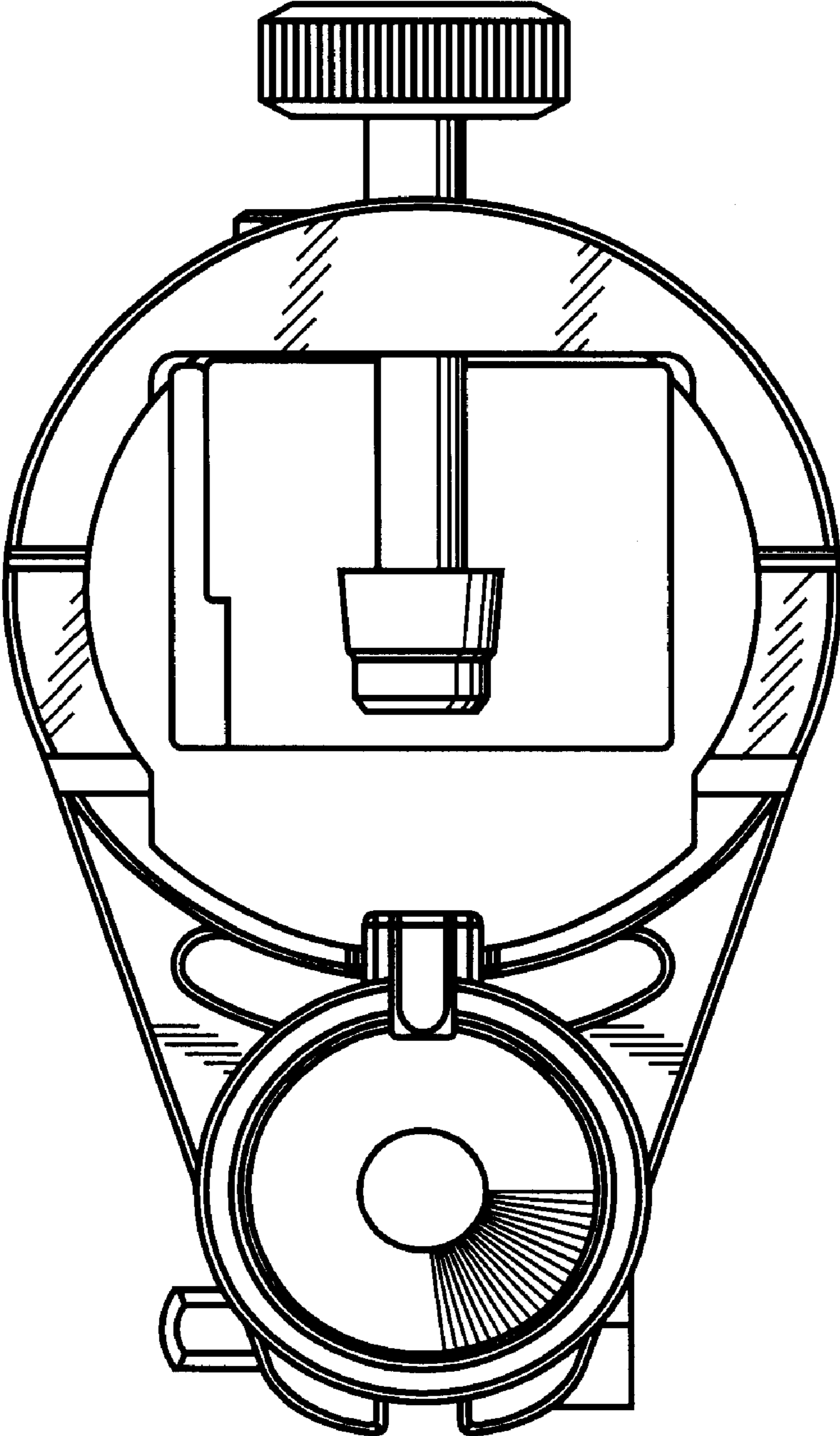


FIG. 5

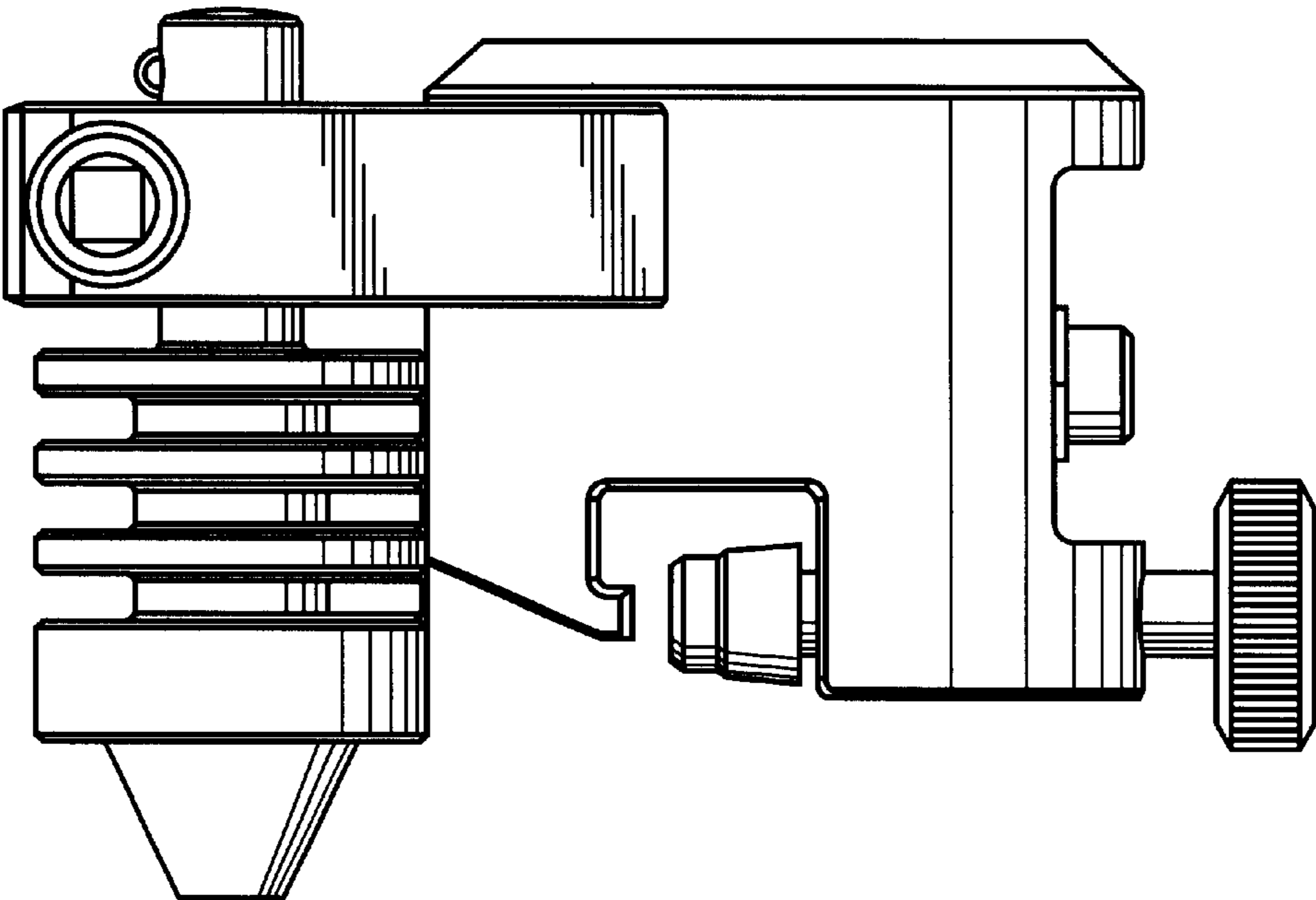


FIG. 6

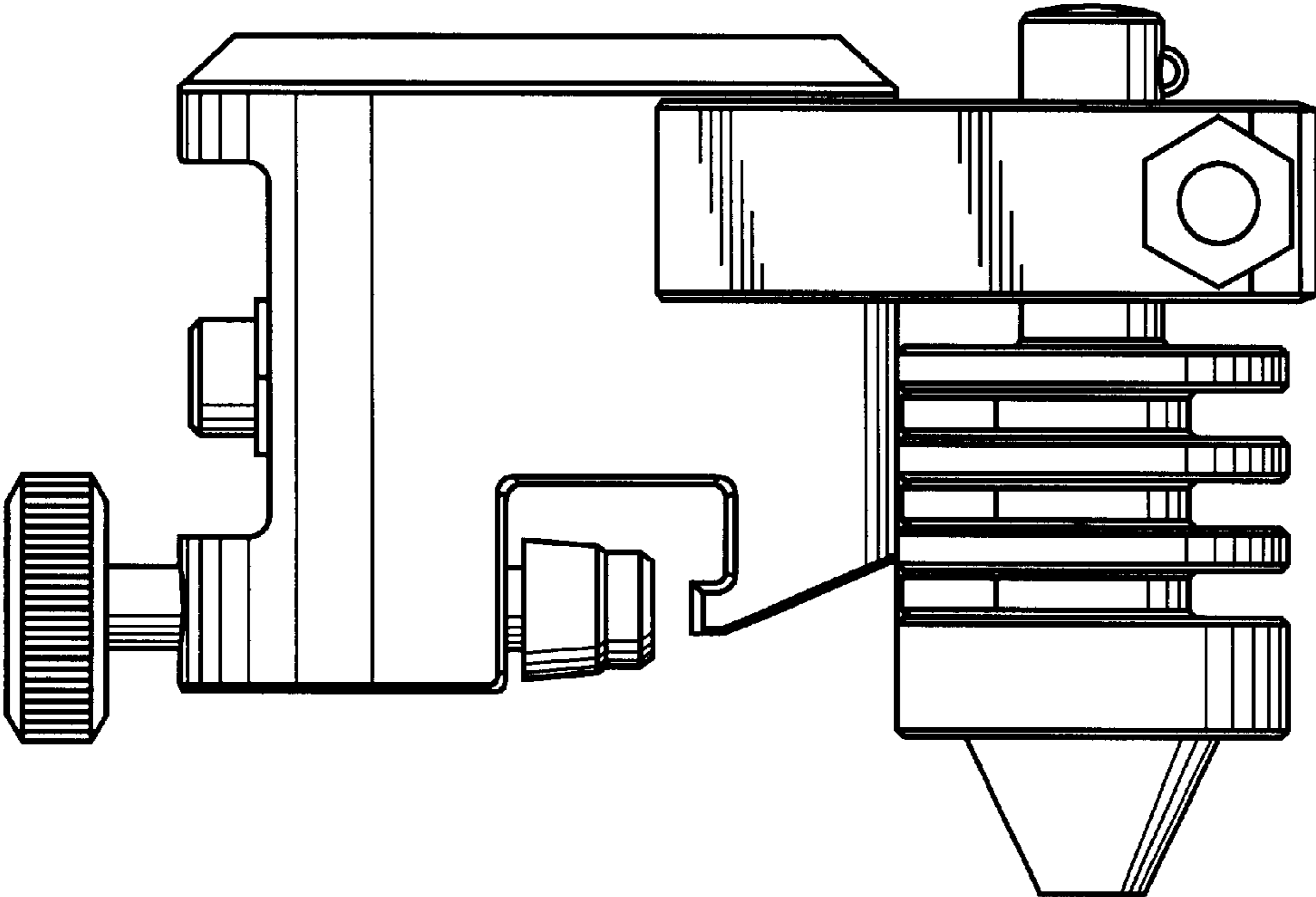


FIG. 7