

US00D497929S1

(12) **United States Design Patent**
Ohki et al.

(10) **Patent No.:** **US D497,929 S**
(45) **Date of Patent:** **** Nov. 2, 2004**

(54) **PROJECTOR**

(75) Inventors: **Yuji Ohki**, Tokyo (JP); **Atsushi Shigemura**, Tokyo (JP); **Masakazu Iwamoto**, Tokyo (JP); **Shuji Shibuki**, Mitaka (JP)

(73) Assignee: **Casio Keisanki Kabushiki Kaisha**, Tokyo (JP)

(**) Term: **14 Years**

(21) Appl. No.: **29/186,753**

(22) Filed: **Jul. 21, 2003**

(30) **Foreign Application Priority Data**

May 29, 2003 (JP) 2003-015092

(51) **LOC (7) Cl.** **16-02**

(52) **U.S. Cl.** **D16/230**

(58) **Field of Search** D16/205, 208,
D16/213, 221, 225, 230, 231, 234; D21/514;
352/34, 342; 353/115, 119, 122

(56) **References Cited**

U.S. PATENT DOCUMENTS

D400,903 S * 11/1998 Miyagawa et al. D16/230
D454,360 S * 3/2002 Shimizu et al. D16/230
D472,570 S * 4/2003 Takahashi D16/230

D473,253 S * 4/2003 Shimamoto D16/231
6,568,813 B1 * 5/2003 Haba et al. 353/119
6,616,282 B2 * 9/2003 Ozawa 353/119

* cited by examiner

Primary Examiner—Adir Aronovich

(74) *Attorney, Agent, or Firm*—Frishauf, Holtz, Goodman & Chick, P.C.

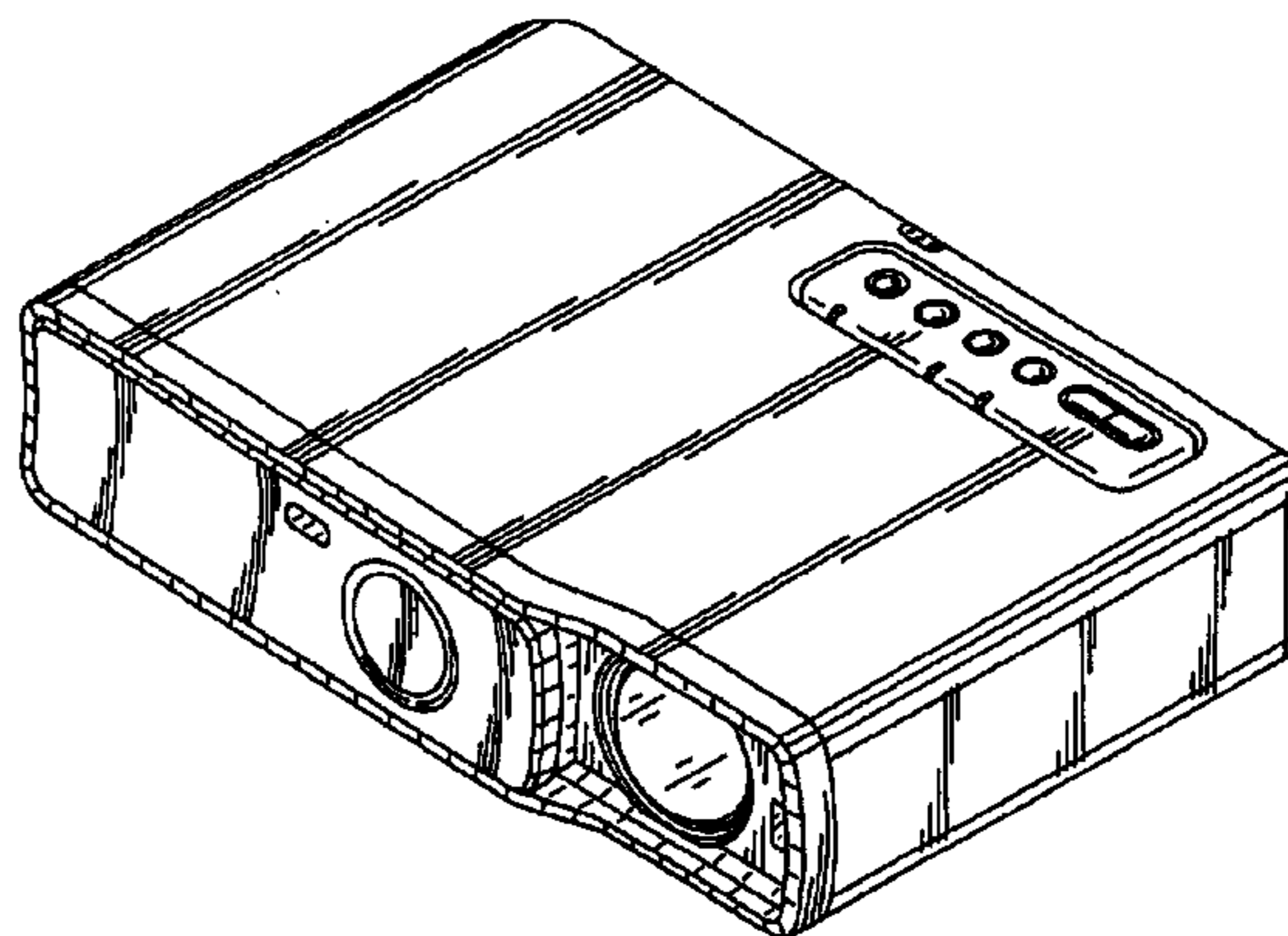
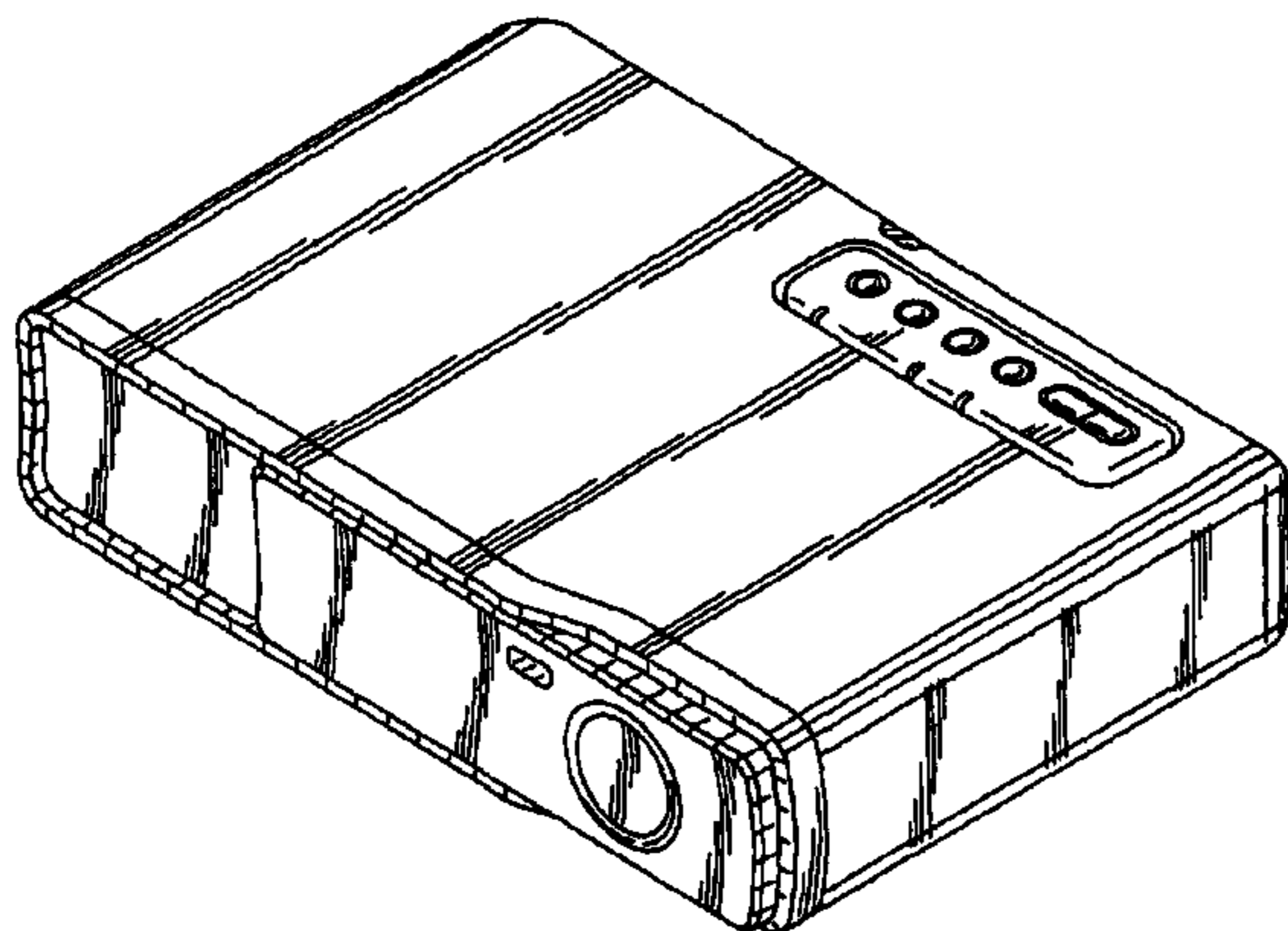
(57) **CLAIM**

The ornamental design for a projector, as shown and described.

DESCRIPTION

FIG. 1 is a front, right, top side perspective view of a projector showing our new design;
FIG. 2 is a front elevational view thereof;
FIG. 3 is a rear elevational view thereof;
FIG. 4 is a left side view thereof;
FIG. 5 is a right side view thereof;
FIG. 6 is a top plan view thereof;
FIG. 7 is a bottom plan view thereof;
FIG. 8 is a front, right, top side perspective view showing a state in which the lens cover is moved to an open position;
FIG. 9 is a front elevational view thereof;
FIG. 10 is a top plan view thereof; and,
FIG. 11 is a top plan view showing a state in which a panel on the back surface is opened.

1 Claim, 5 Drawing Sheets



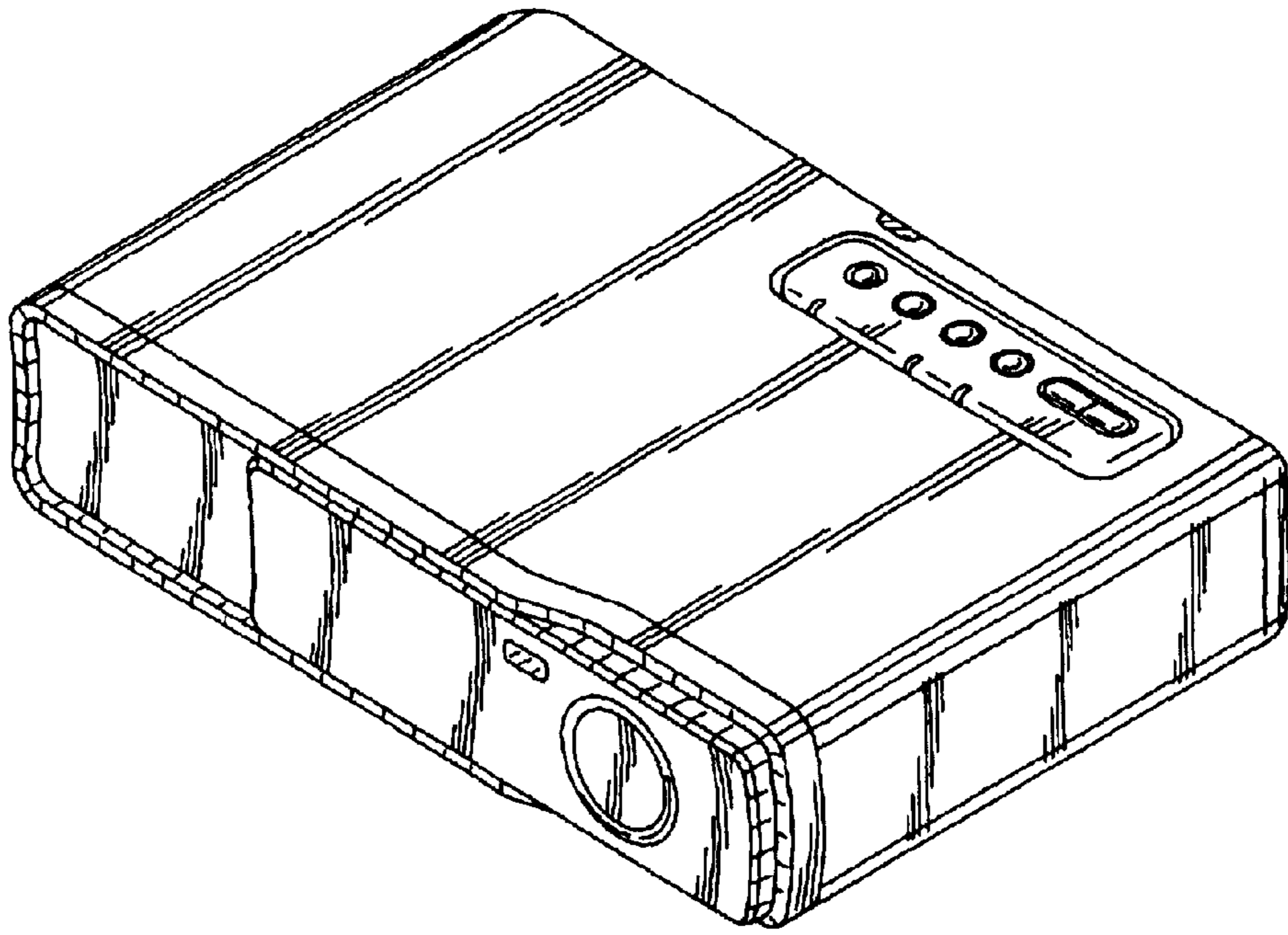


FIG. 1

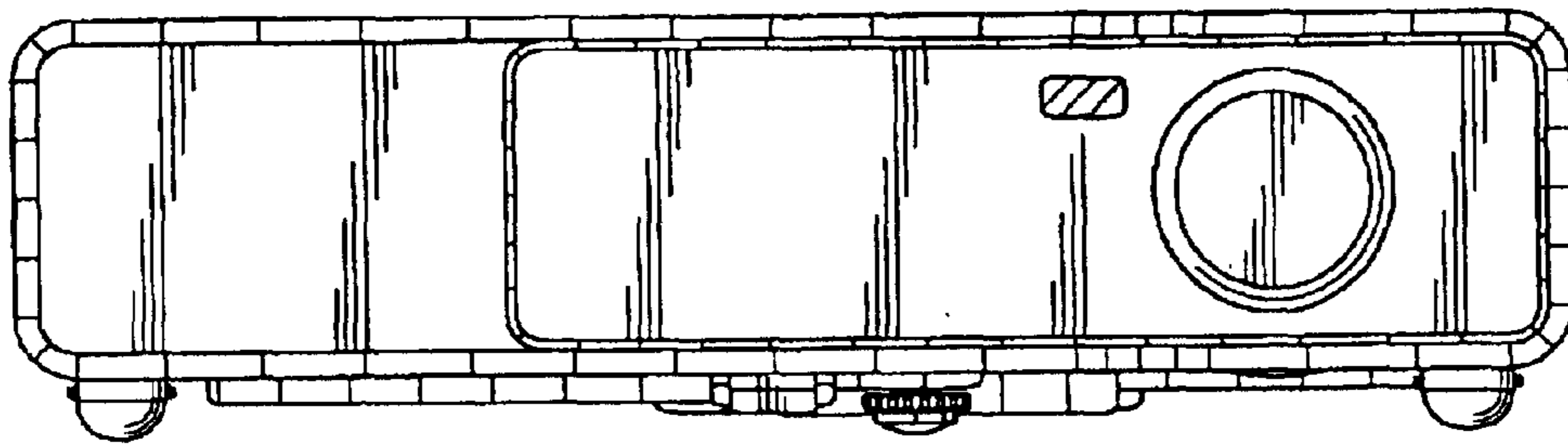


FIG. 2

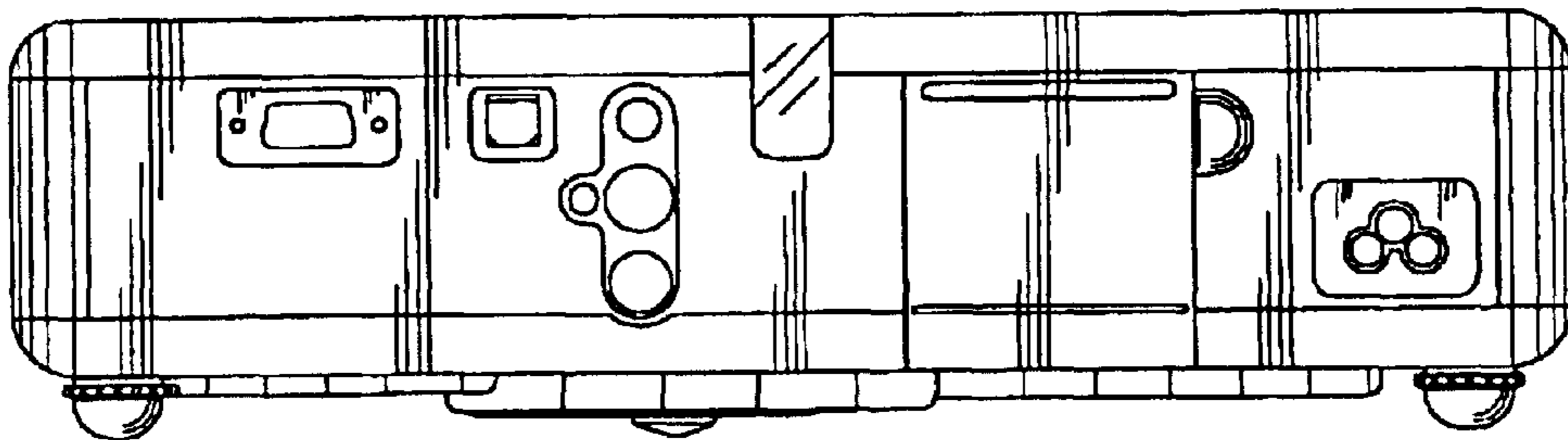


FIG. 3

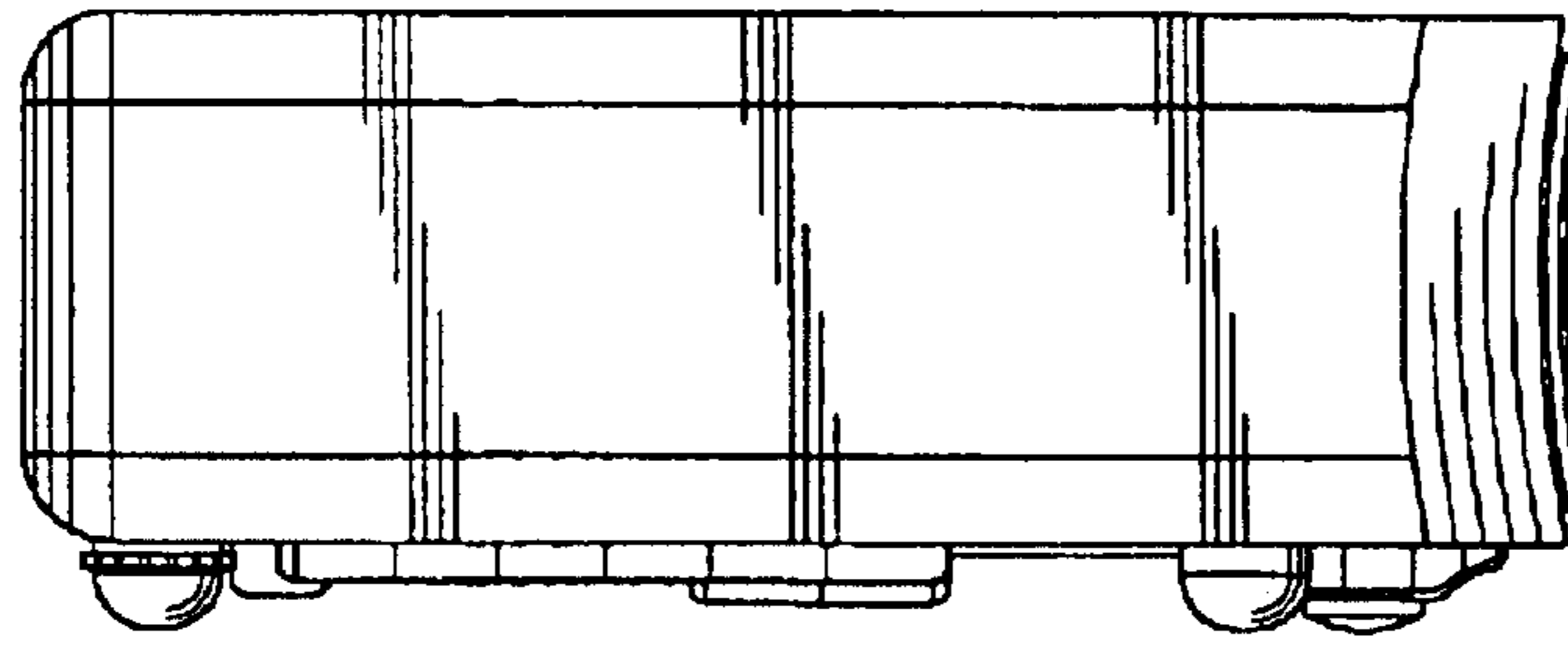


FIG. 4

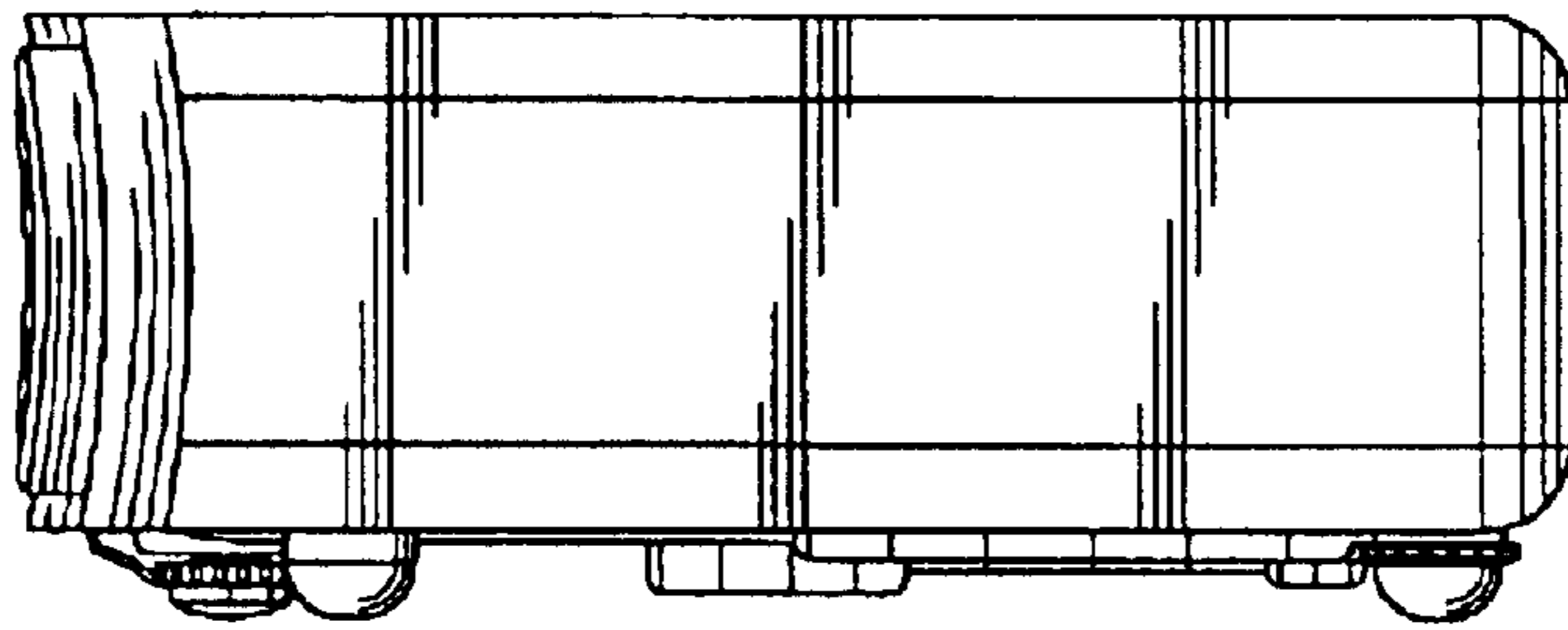


FIG. 5

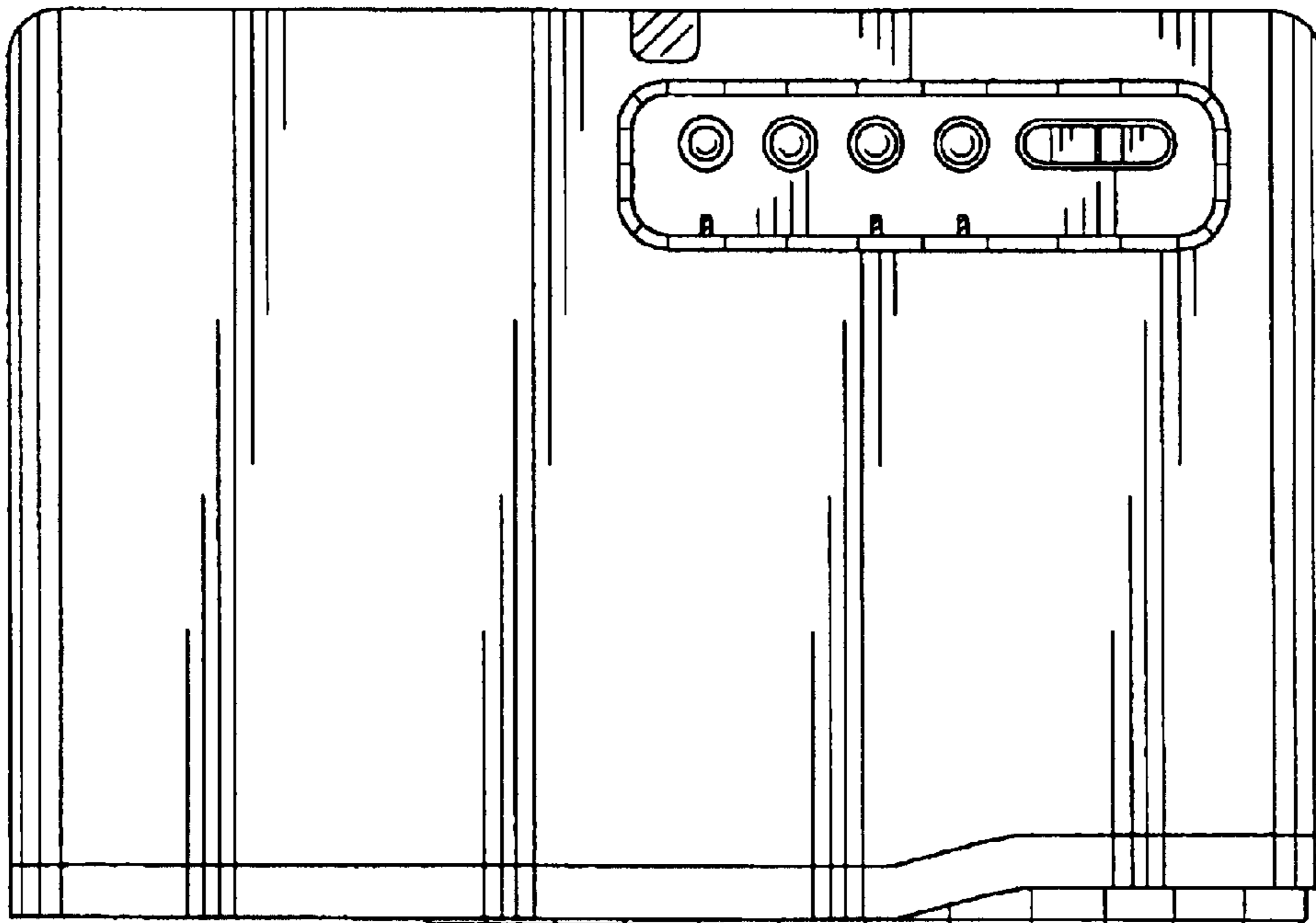


FIG. 6

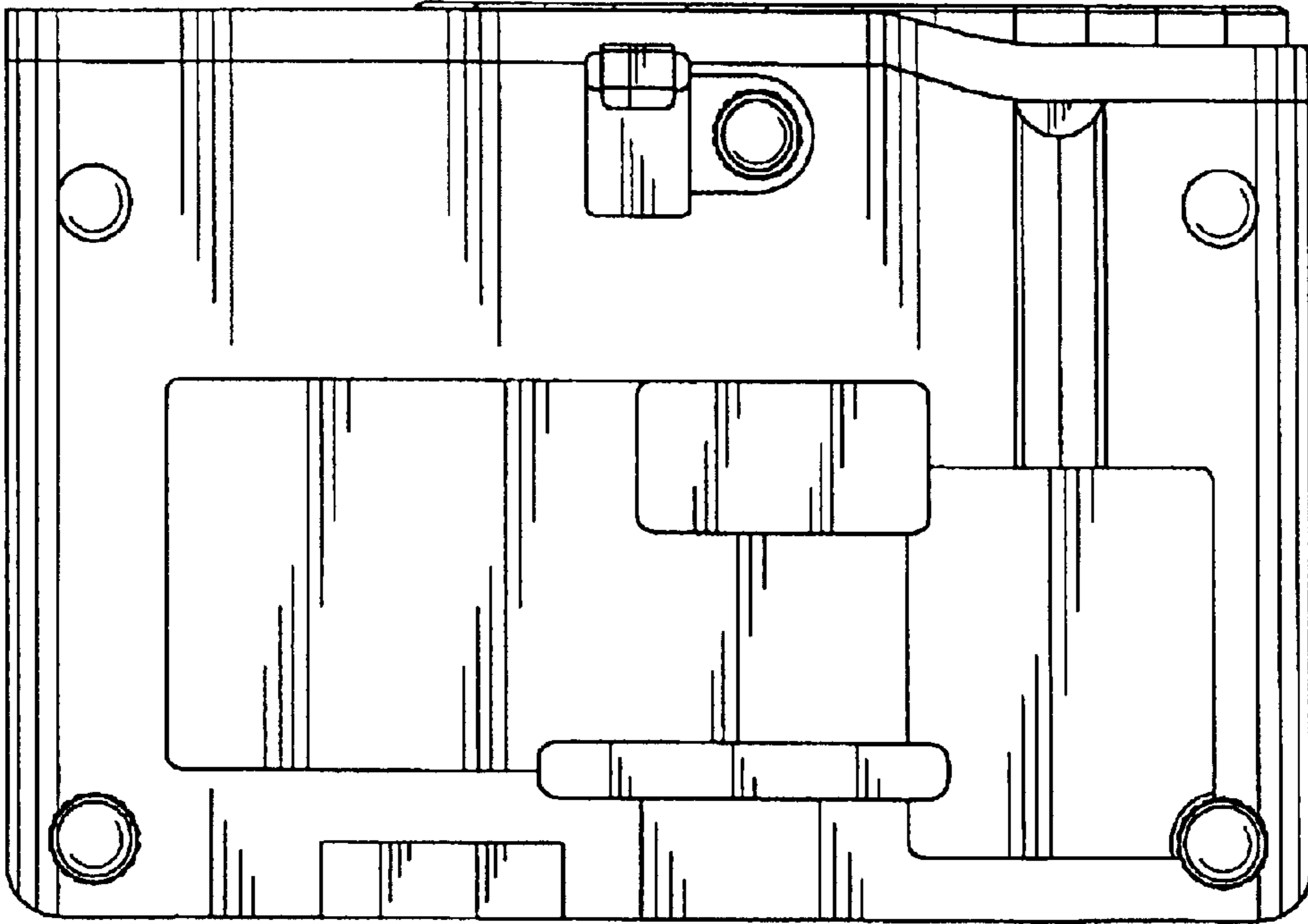


FIG. 7

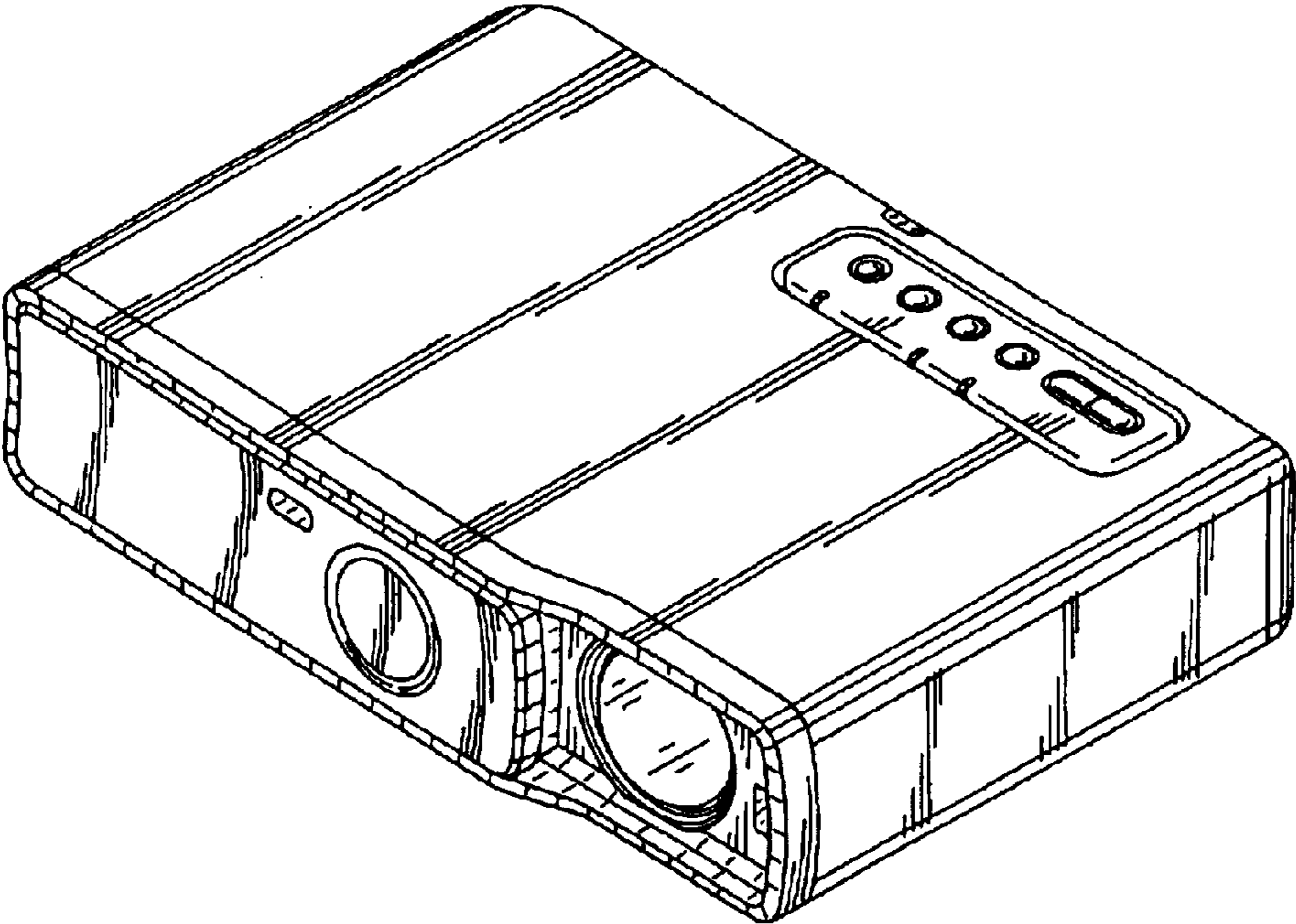


FIG. 8

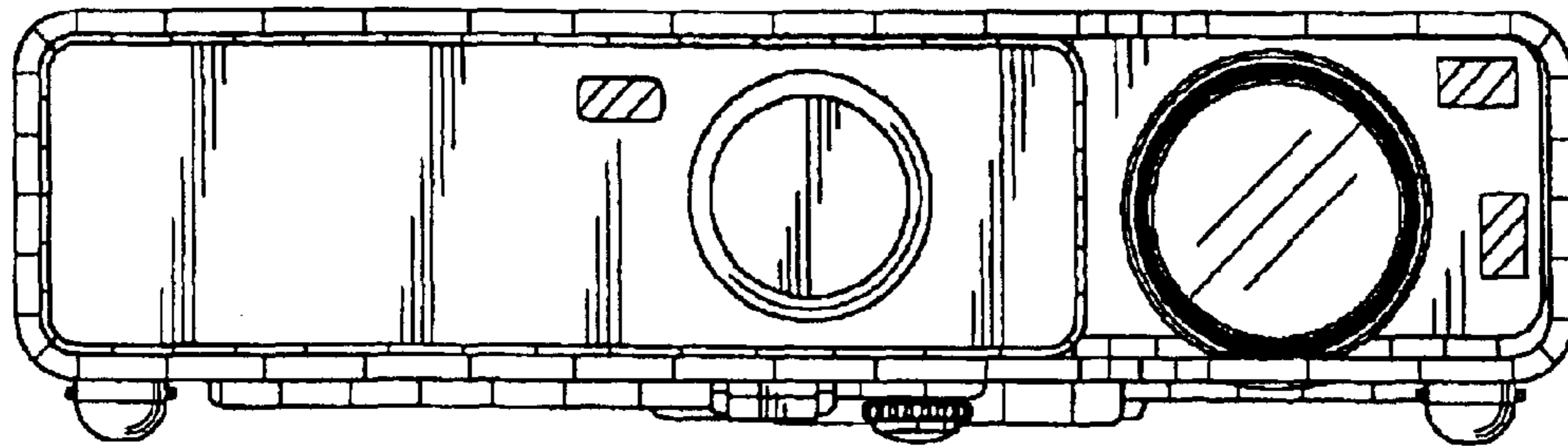


FIG. 9

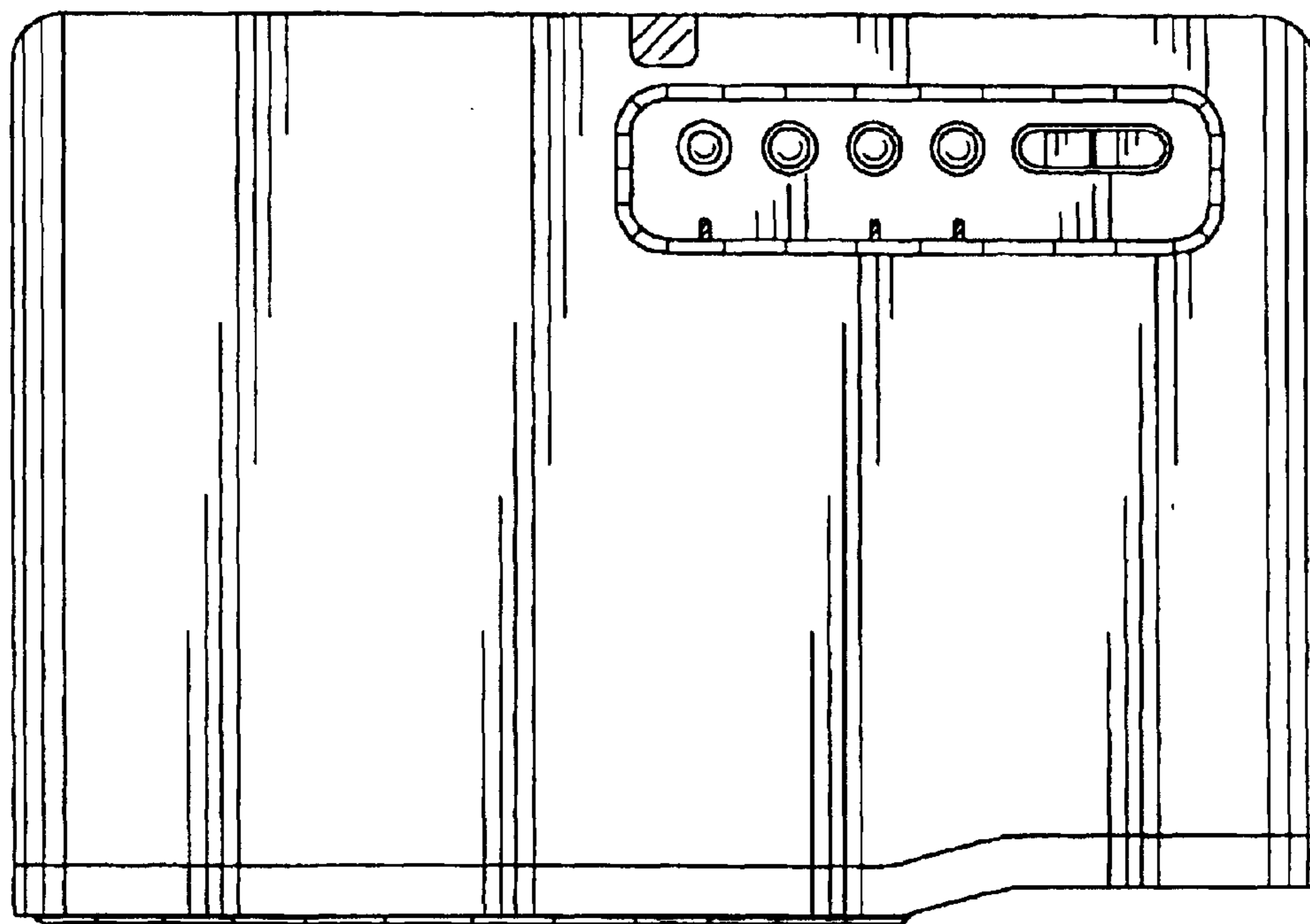


FIG. 10

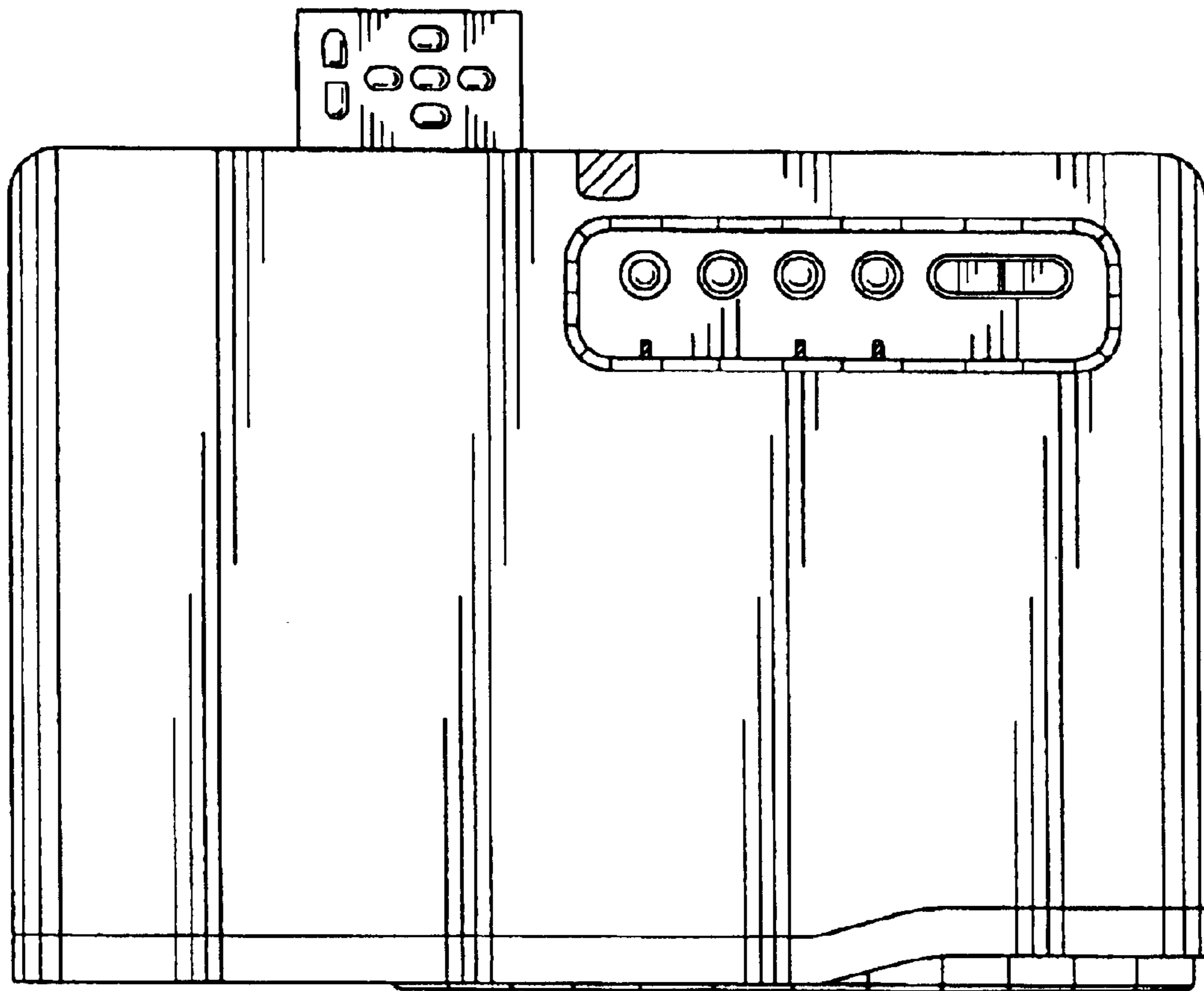


FIG. 11